

US00D566858S

(12) **United States Design Patent** (10) **Patent No.:** **US D566,858 S**
Fannan (45) **Date of Patent:** **** Apr. 15, 2008**

(54) **WINDOW COMPONENT EXTRUSION**

D460,831 S * 7/2002 Ballard et al. D25/124

(75) Inventor: **Michael R. Fannan**, Pecatonica, IL
(US)

(73) Assignee: **Mikron Industries, Inc.**, Kent, WA
(US)

(**) Term: **14 Years**

(21) Appl. No.: **29/271,492**

(22) Filed: **Jan. 19, 2007**

(51) **LOC (8) Cl.** **25-01**

(52) **U.S. Cl.** **D25/124**

(58) **Field of Classification Search** 52/208,
52/204.1, 204.2, 204.5, 204.51, 656.5, 656.6,
52/213, 215, 204.71, 204.55, 204.593, 204.595,
52/730.3; D25/119, 124, 125; 49/DIG. 2,
49/504

See application file for complete search history.

(56) **References Cited**

U.S. PATENT DOCUMENTS

D364,690 S 11/1995 Goss, Jr.
D377,102 S * 12/1996 Oliver D25/124
D384,425 S 9/1997 Goss et al.
D402,053 S * 12/1998 Leonelli D25/124

OTHER PUBLICATIONS

Part No. 8705 (conceived by Tim Wickland on Apr. 15, 2003), first sold Nov. 5, 2003.

Part No. 8634 (conceived by Mike Lockbeam on May 23, 2002), first sold Feb. 11, 2003.

Part No. 7217 (conceived by Goss on Jul. 24, 1995), first sold Apr. 21, 1997.

Part No. 6906, conceived on Mar. 23, 1994, first sold Jun. 10, 1994.

* cited by examiner

Primary Examiner—Doris Clark

(74) *Attorney, Agent, or Firm*—Black Lowe & Graham PLLC

(57) **CLAIM**

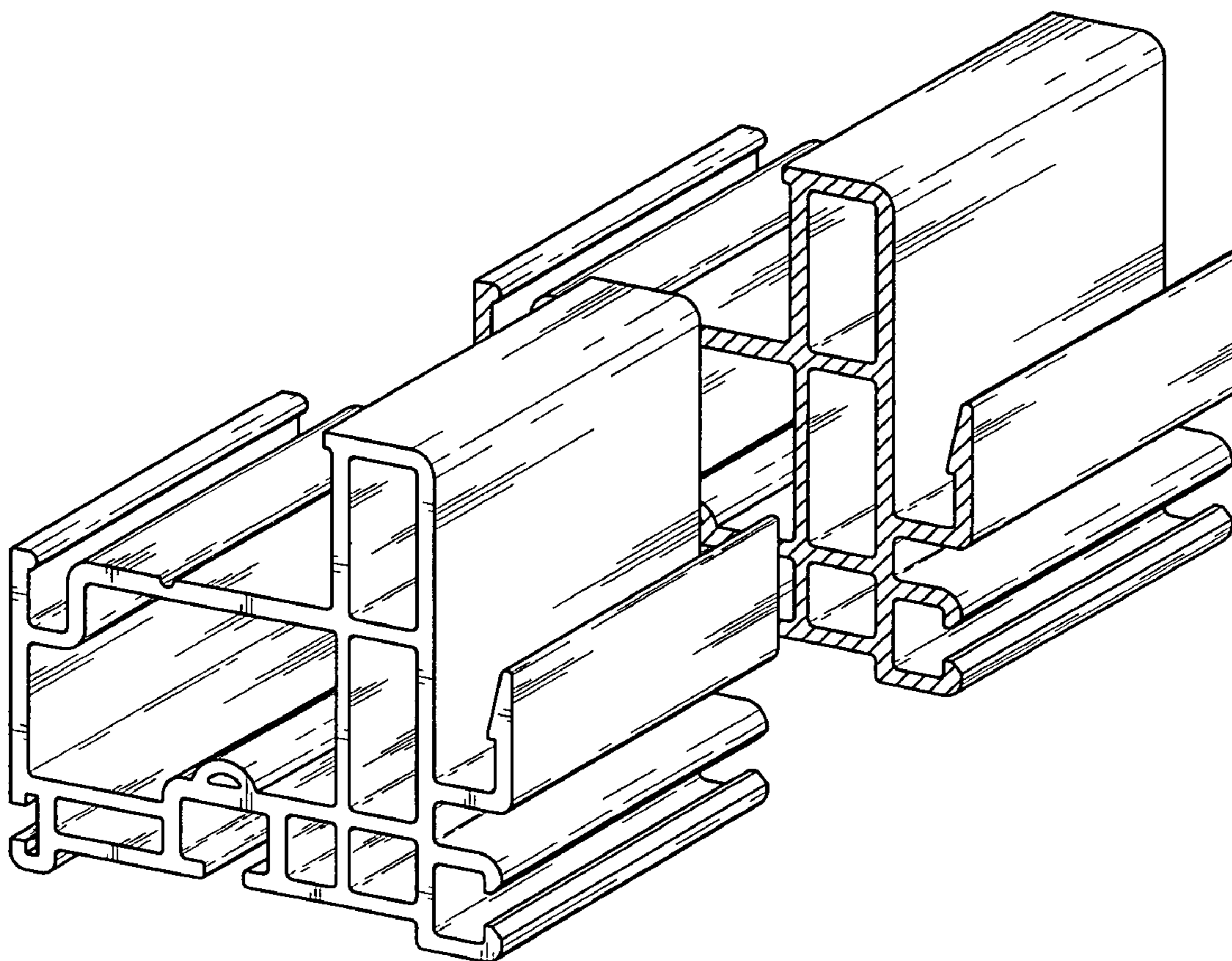
The ornamental design for a window component extrusion, as shown and described.

DESCRIPTION

FIG. 1 is a top right perspective view of the window component extrusion which is broken in the center indicating indefinite length; and,

FIG. 2 is a bottom left perspective view of the window component extrusion shown in FIG. 1.

1 Claim, 1 Drawing Sheet



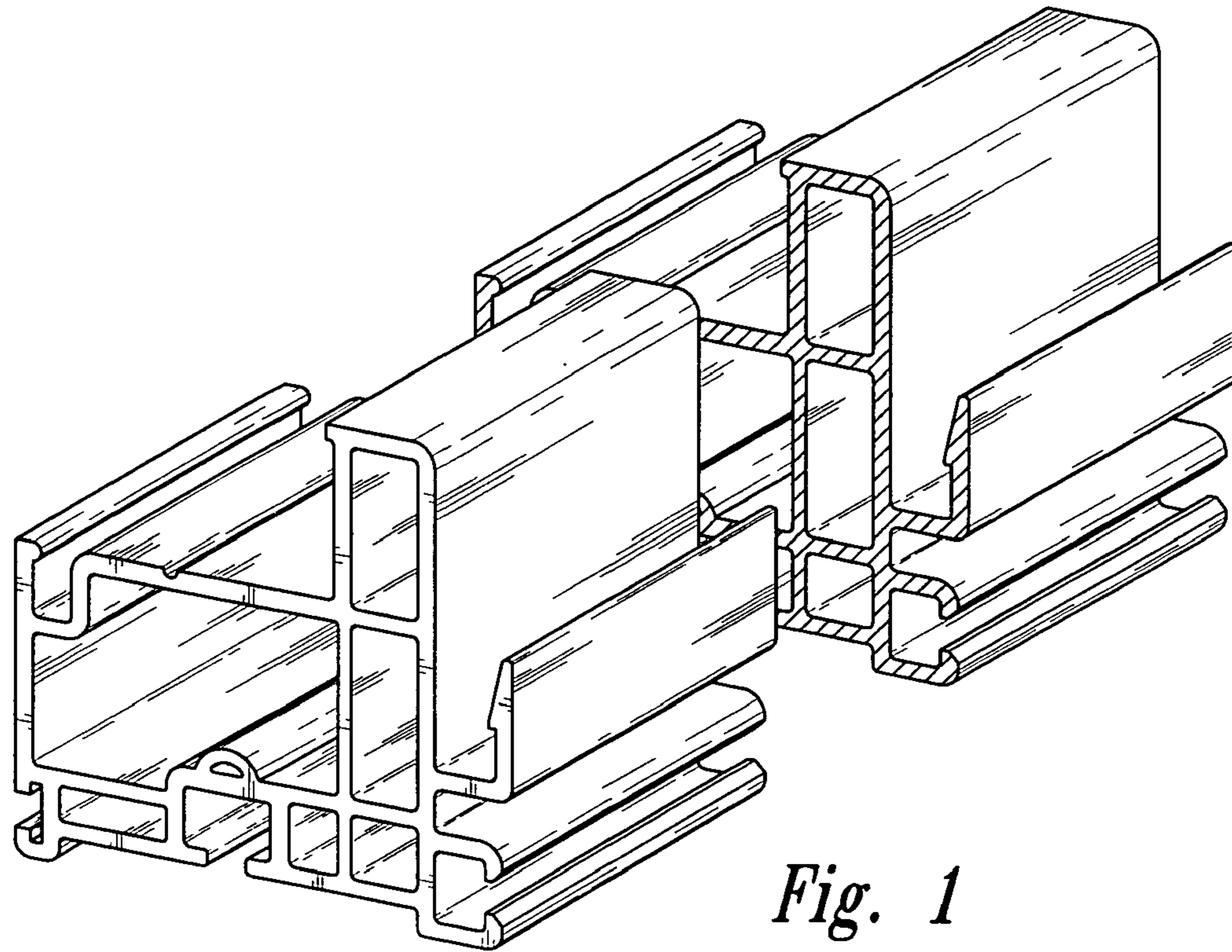


Fig. 1

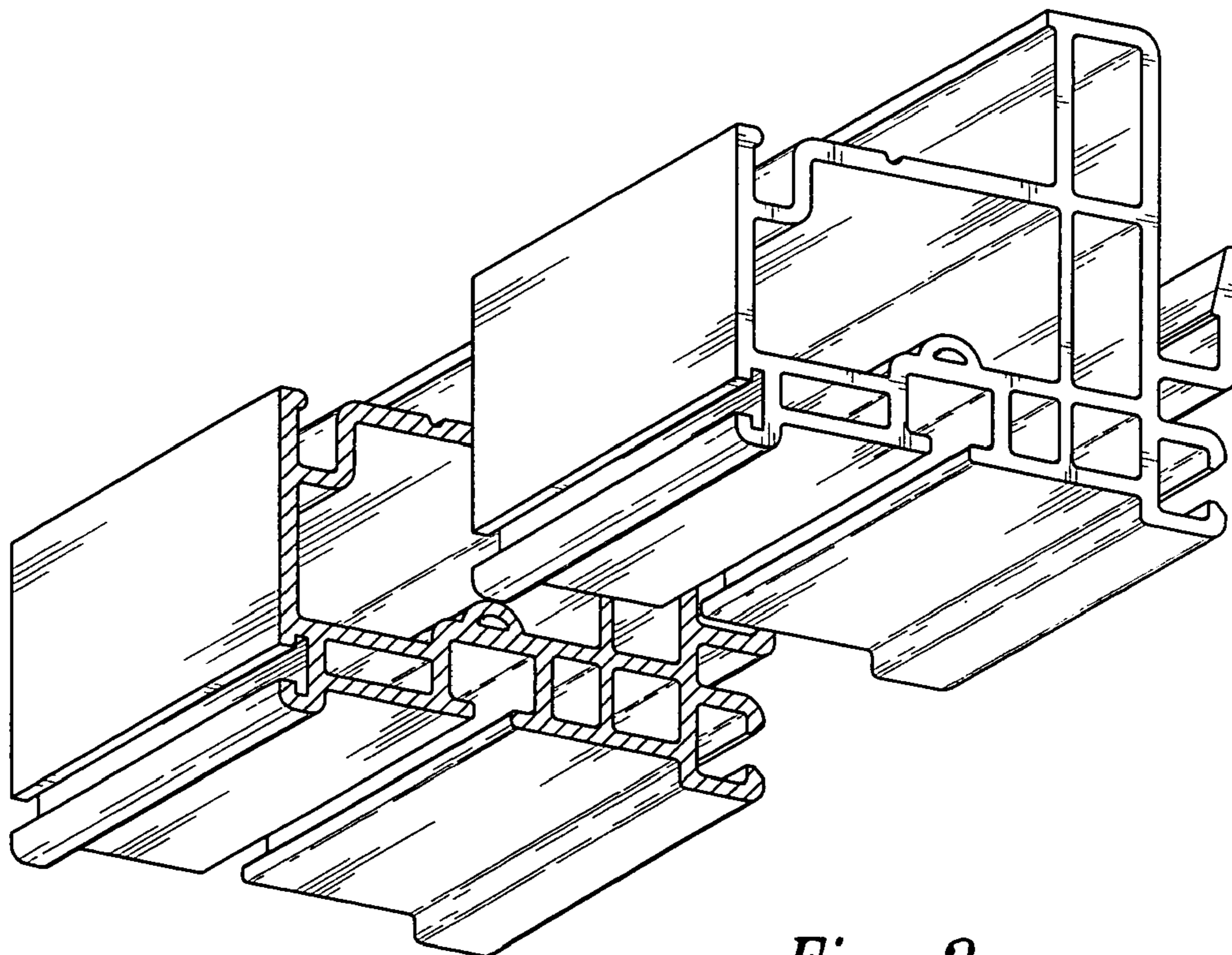


Fig. 2