



US00D566852S

(12) **United States Design Patent**
Gaster et al.

(10) **Patent No.:** **US D566,852 S**
(45) **Date of Patent:** **** Apr. 15, 2008**

(54) **MOLDED PLASTIC ARCH UNIT FOR A CULVERT OR BRIDGE**

(76) Inventors: **Ivan Gaster**, 201 Richard Ct., Union, OH (US) 45322; **Barry C. Nybo**, 2968 Silver Spring Blvd., Apt 102, Coquitlam, British Columbia (CA) V3E 3S2

(**) Term: **14 Years**

(21) Appl. No.: **29/263,326**

(22) Filed: **Jul. 21, 2006**

(51) **LOC (8) Cl.** **25-03**

(52) **U.S. Cl.** **D25/1**

(58) **Field of Classification Search** D25/1, D25/199, 102; 405/124-126, 36, 48-49; D23/207, 261; 52/86, 87, 783.14, 796.1
See application file for complete search history.

(56) **References Cited**

U.S. PATENT DOCUMENTS

1,013,440	A *	1/1912	Rankin et al.	285/406
1,040,442	A *	10/1912	Shannon	285/405
3,505,765	A *	4/1970	Blaski	52/80.1
4,527,319	A *	7/1985	Rosenbaum et al.	29/33 T
4,650,369	A *	3/1987	Thomas et al.	405/126
5,385,423	A *	1/1995	Abukawa	403/245
5,720,577	A *	2/1998	Sanders et al.	405/124
6,361,248	B1	3/2002	Maestro		

D465,545	S	11/2002	Maestro		
6,474,907	B2	11/2002	Semotiuk et al.		
6,595,722	B2 *	7/2003	McCavour	405/126
6,612,777	B2	9/2003	Maestro		
D484,609	S *	12/2003	Harrington et al.	D25/1
6,854,925	B2 *	2/2005	DiTullio	405/49
7,052,209	B1 *	5/2006	Kruger et al.	405/125

* cited by examiner

Primary Examiner—Louis S. Zarfes

Assistant Examiner—Kathleen Sims

(74) *Attorney, Agent, or Firm*—Jacox, Meckstroth & Jenkins

(57) **CLAIM**

The ornamental design for a molded plastic arch unit for a culvert or bridge, as shown and described.

DESCRIPTION

FIG. 1 is a perspective view of a molded plastic arch unit for a culvert or bridge showing our new design;

FIG. 2 is a side view, the opposite side view being a mirror image;

FIG. 3 is a top view thereof;

FIG. 4 is a bottom view thereof;

FIG. 5 is an end view thereof; and,

FIG. 6 is an opposite end view.

1 Claim, 3 Drawing Sheets

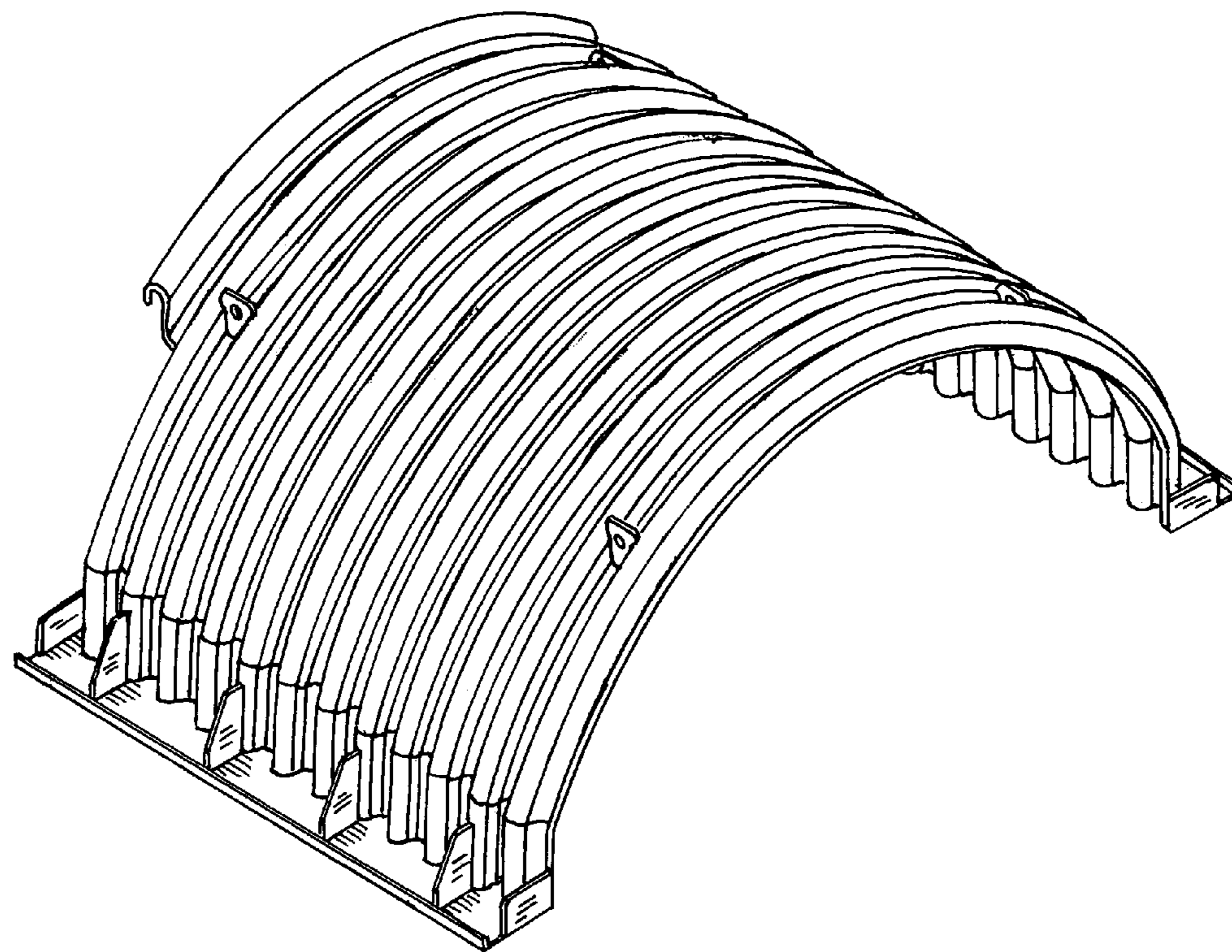


FIG-1

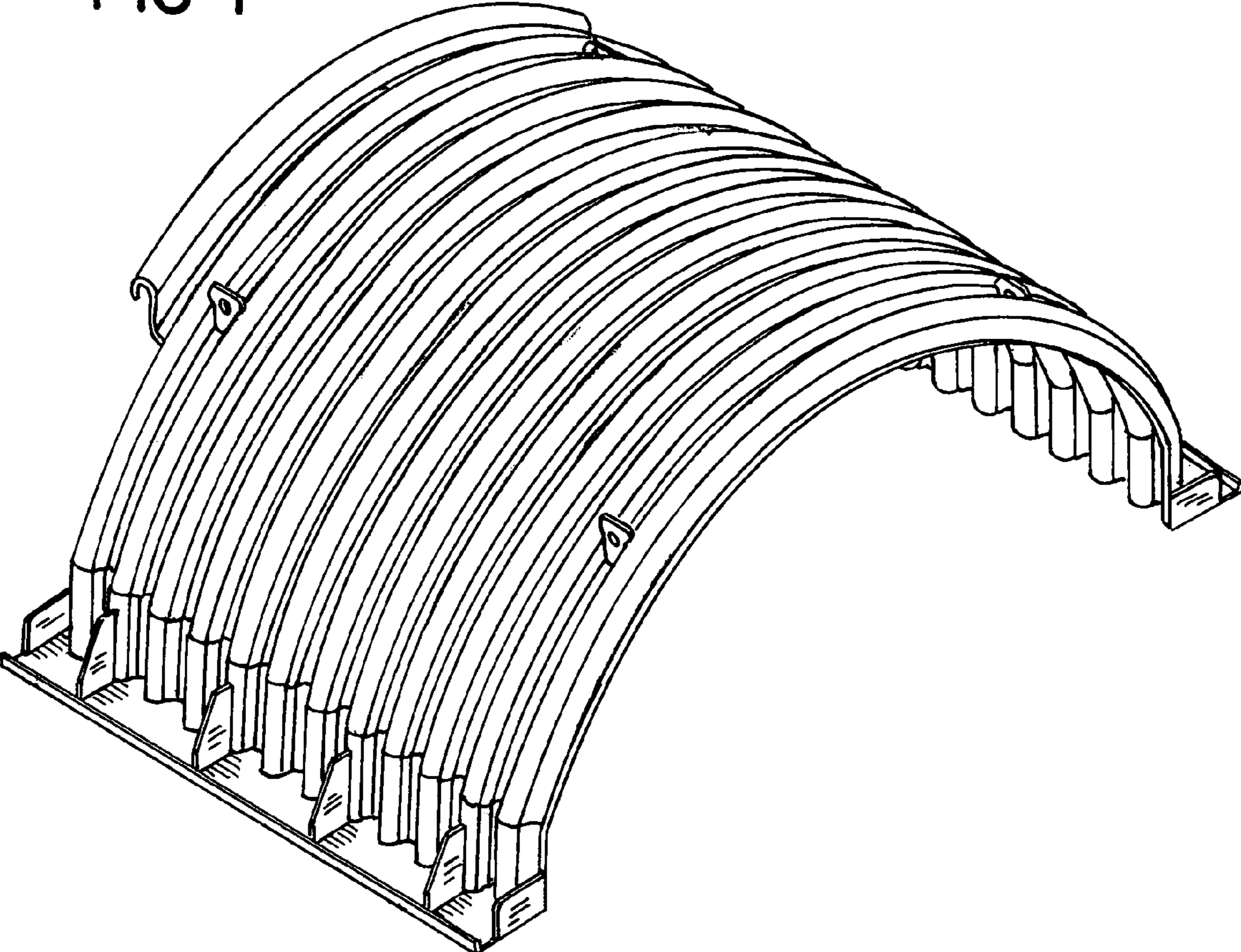


FIG-2

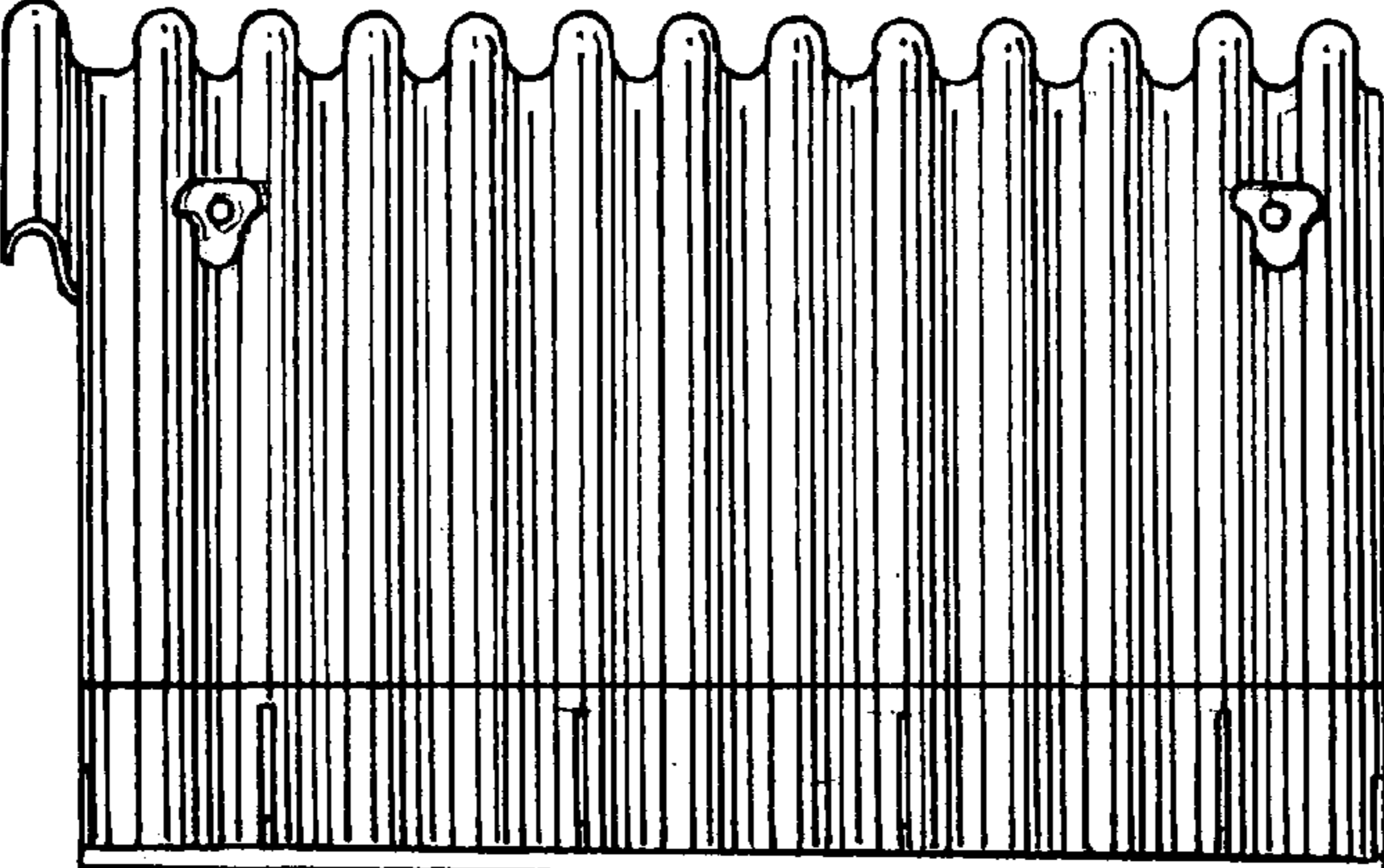


FIG-3

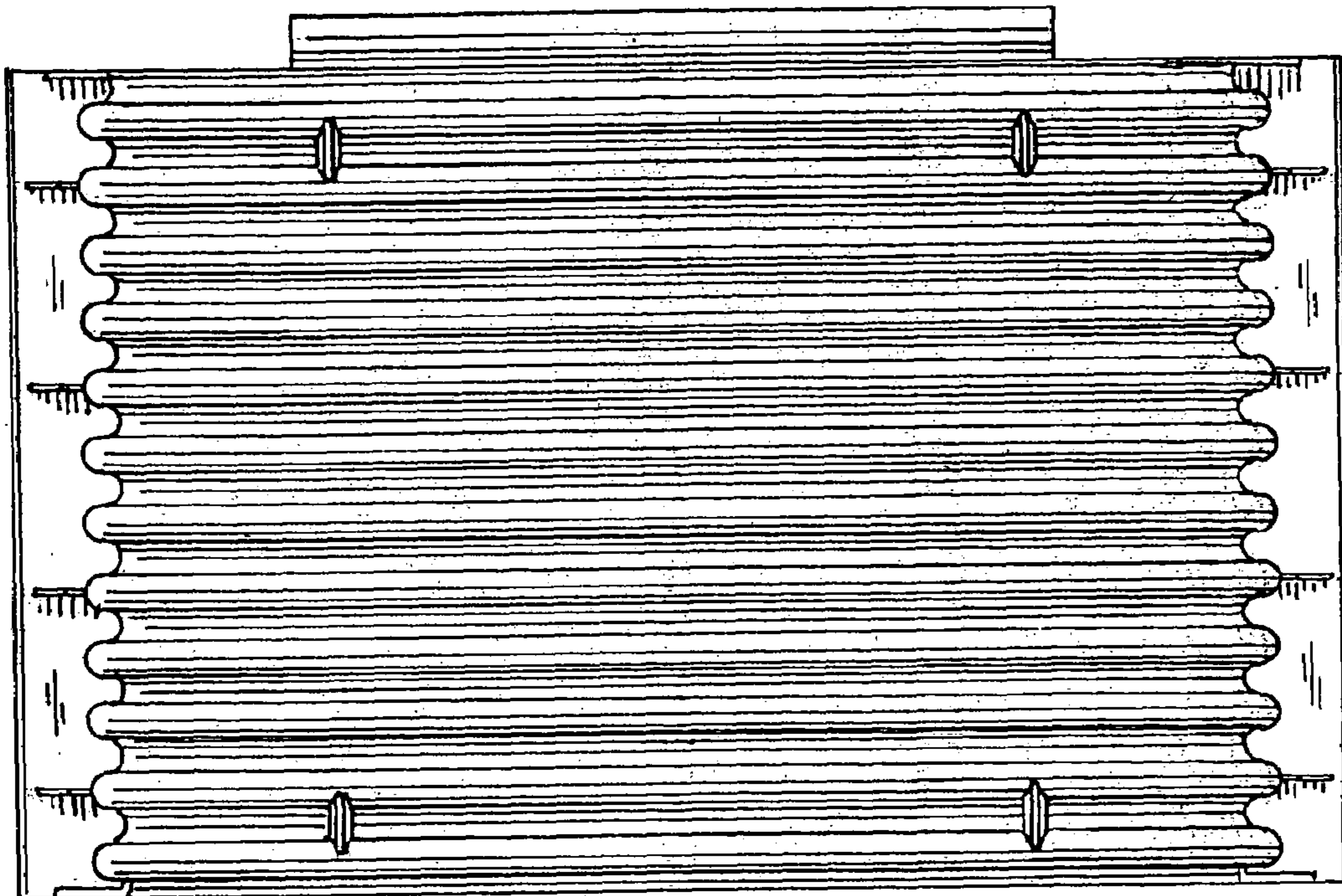


FIG-4

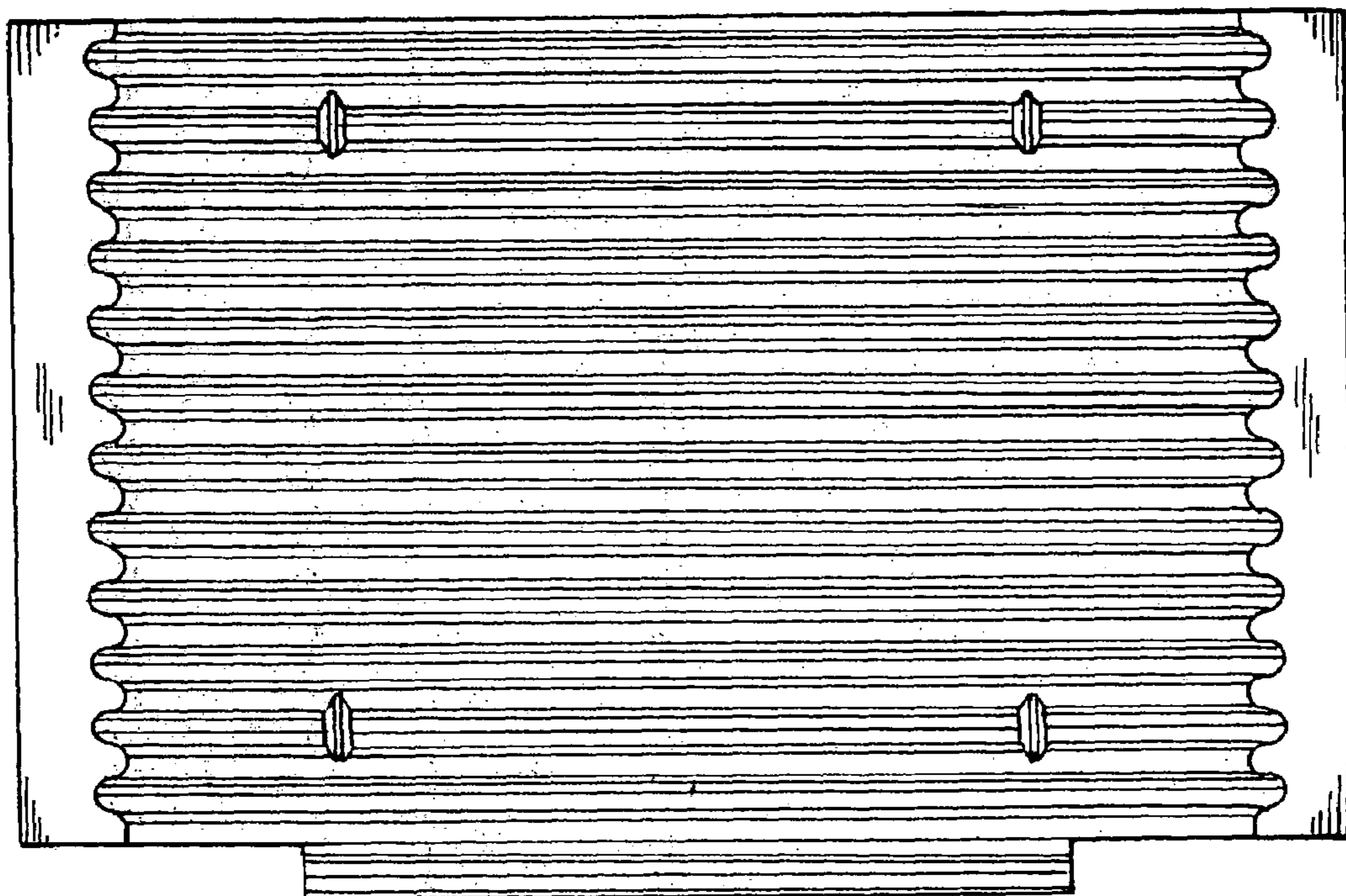


FIG-5

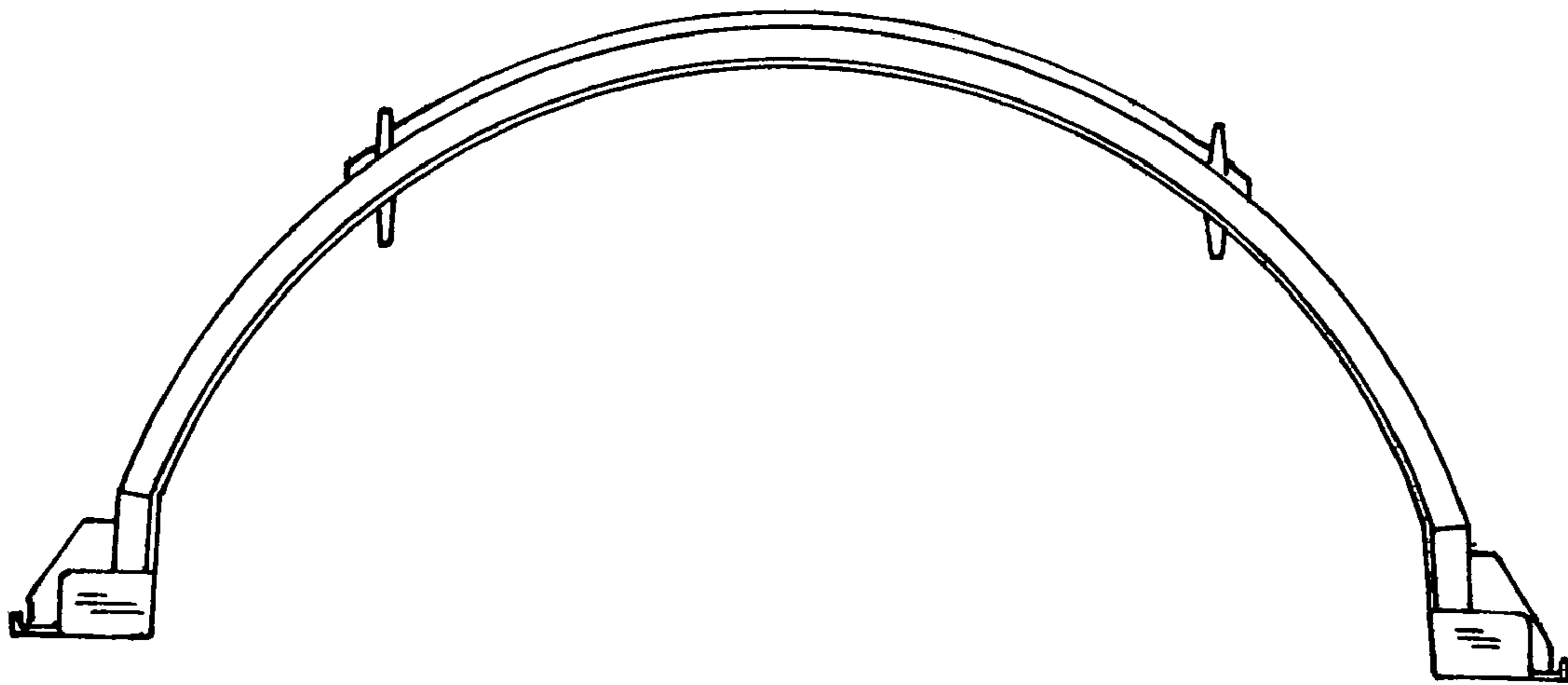


FIG-6

