

US00D566851S

(12) **United States Design Patent**
Hawker et al.

(10) **Patent No.:** **US D566,851 S**

(45) **Date of Patent:** **** Apr. 15, 2008**

(54) **DISPOSABLE TEST TUBE RACK**

(75) Inventors: **Charles Hawker**, Salt Lake City, UT (US); **Paul Brinton**, Holladay, UT (US); **Bonnie Messinger**, Sandy, UT (US)

(73) Assignee: **University of Utah Research Foundation**, Salt Lake City, UT (US)

(**) Term: **14 Years**

(21) Appl. No.: **29/288,805**

(22) Filed: **Jun. 20, 2007**

(51) **LOC (8) Cl.** **24-02**

(52) **U.S. Cl.** **D24/230**

(58) **Field of Classification Search** D24/224-230, D24/232; D9/755; 206/446; 211/74; 220/519; 422/102, 104; 356/246

See application file for complete search history.

(56) **References Cited**

U.S. PATENT DOCUMENTS

3,375,934	A	4/1968	Bates	
D257,390	S	10/1980	Hahn et al.	
D265,126	S	6/1982	Beall	
D283,162	S *	3/1986	Godsey	D24/226
D284,700	S	7/1986	Mehra et al.	
5,048,957	A *	9/1991	Berthold et al.	356/246
5,141,117	A	8/1992	Olsen et al.	
D338,965	S *	8/1993	Glanz et al.	D24/227
D349,963	S	8/1994	Kane et al.	
5,487,872	A *	1/1996	Hafeman et al.	422/102
D392,743	S	3/1998	Stoufer	
5,996,818	A *	12/1999	Boje et al.	422/104
D420,142	S *	2/2000	Ballin et al.	D24/230

D420,743	S *	2/2000	Monks	D24/224
D428,497	S	7/2000	Lapeus et al.	
D466,219	S *	11/2002	Wynschenk et al.	D24/227
D469,544	S *	1/2003	Lafond et al.	D24/224
D533,948	S	12/2006	Schaub et al.	

OTHER PUBLICATIONS

Whitney Products, Inc, test n' toss Disposable Test Tube Rack, www.whitneyproducts.com.

* cited by examiner

Primary Examiner—Robert A. Delehanty

Assistant Examiner—Mark Cavanna

(74) *Attorney, Agent, or Firm*—Thorpe North & Western LLP

(57) **CLAIM**

The ornamental design for a disposable test tube rack, as shown and described herein.

DESCRIPTION

FIG.1 is a perspective view showing the front and top of the disposable test tube rack, showing our new design;

FIG. 2 is a another perspective view showing the bottom and front view looking upwardly into disposable test tube rack thereof;

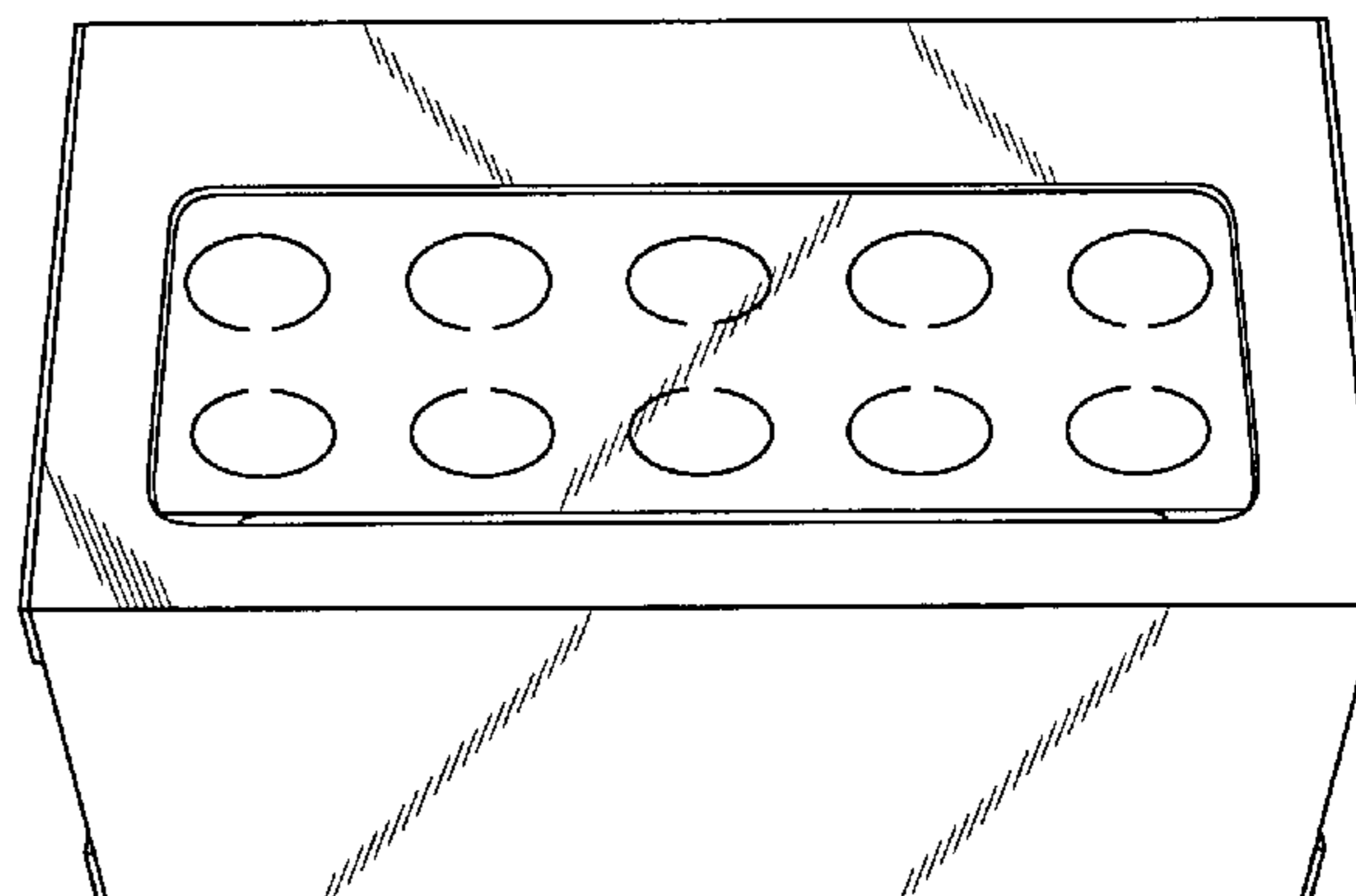
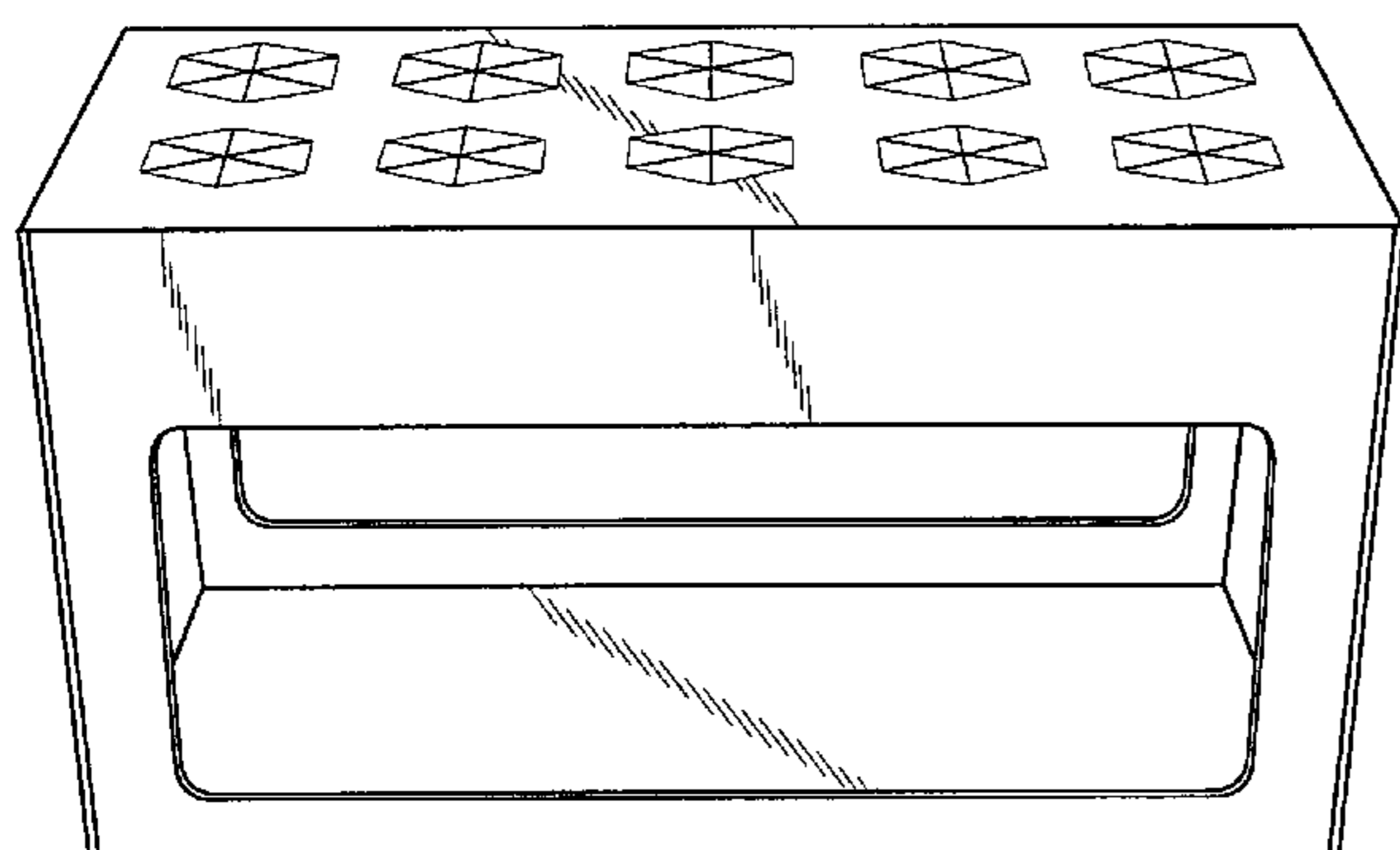
FIG. 3 is an end side view thereof, taken from the left side of FIG. 1;

FIG. 4 is an end side view thereof, taken from the right side of FIG. 1;

FIG. 5 is a bottom view thereof; and,

FIG. 6 is a top view thereof.

1 Claim, 5 Drawing Sheets



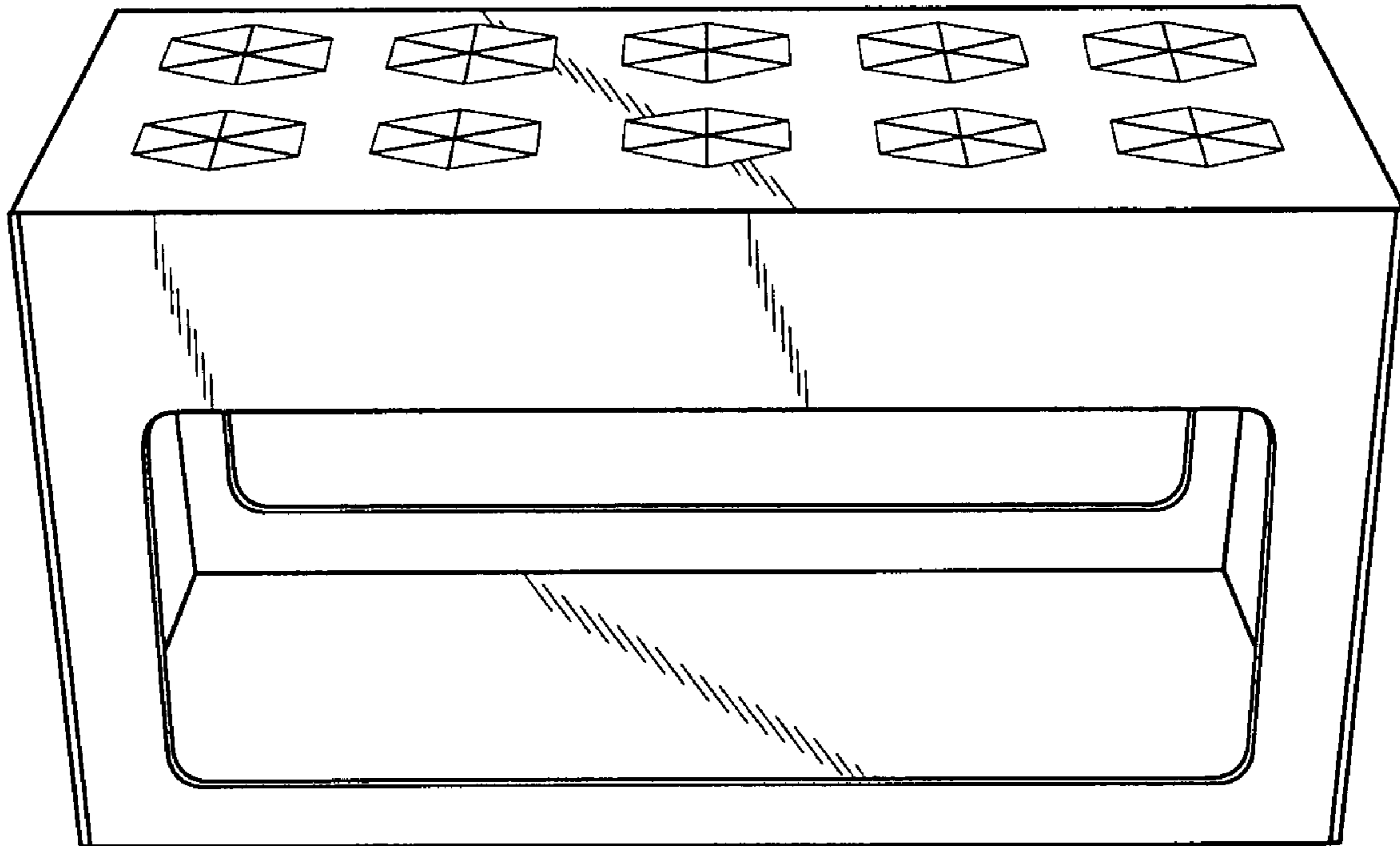


Fig. 1

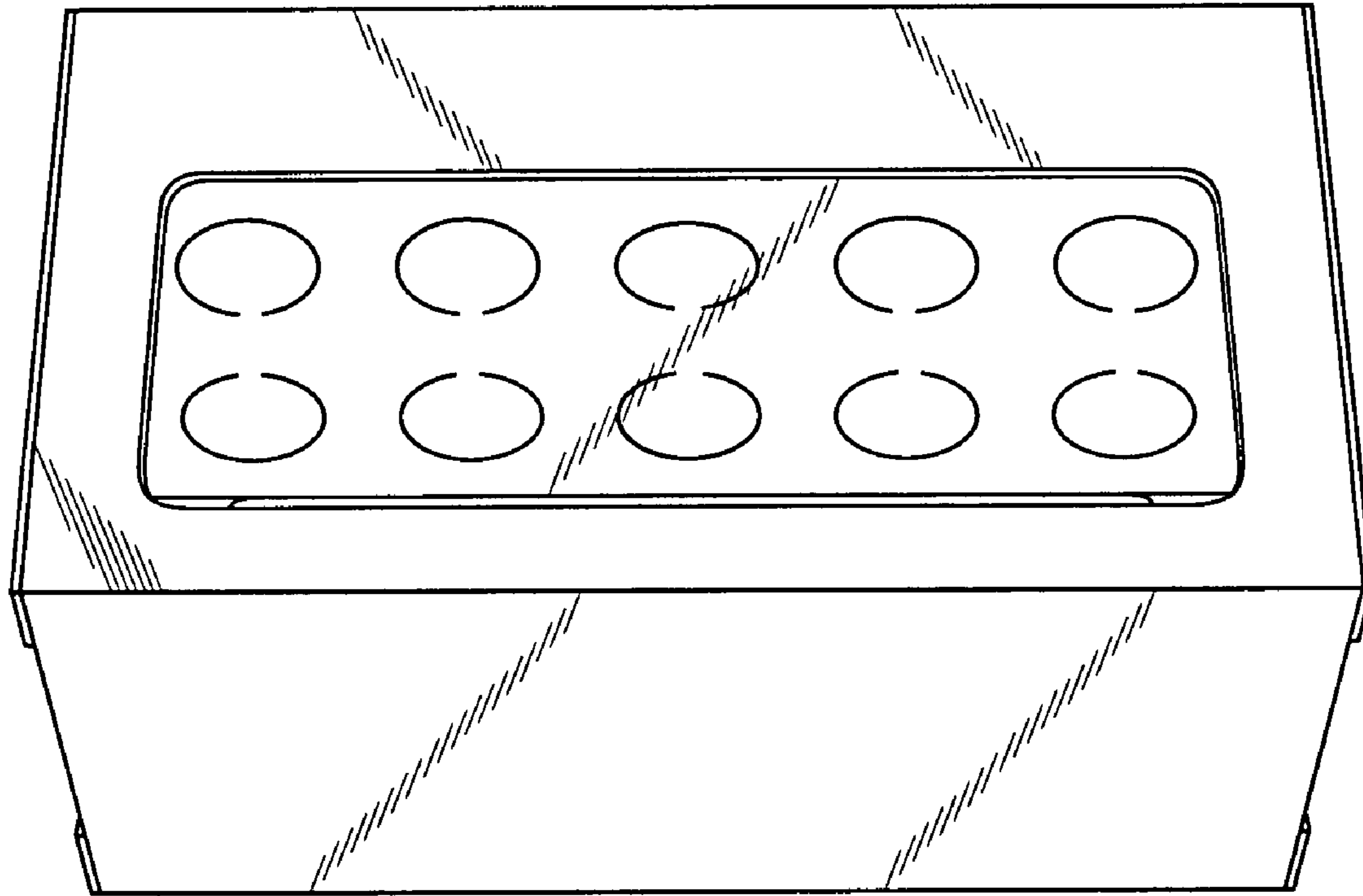


Fig. 2

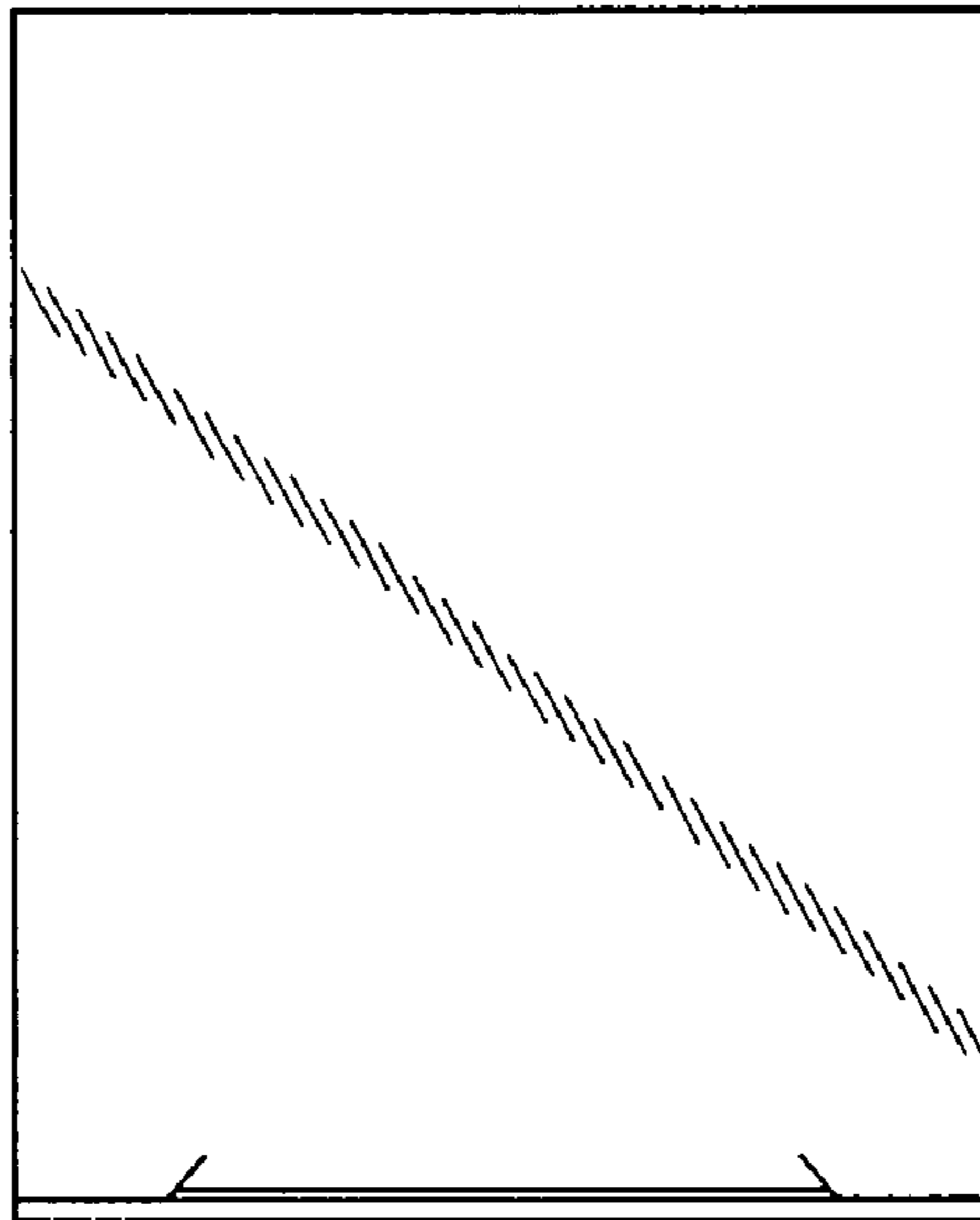


Fig. 3

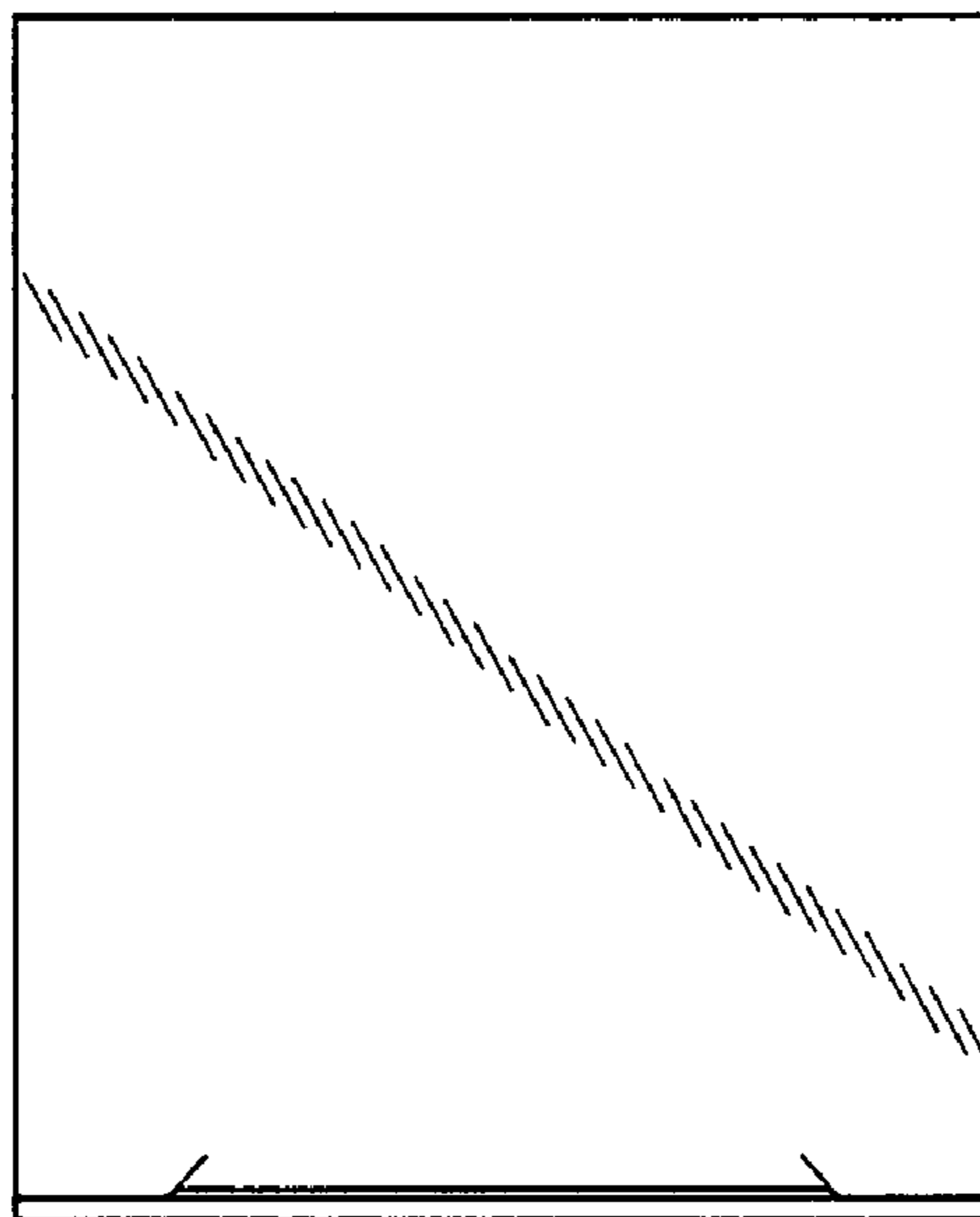


Fig. 4

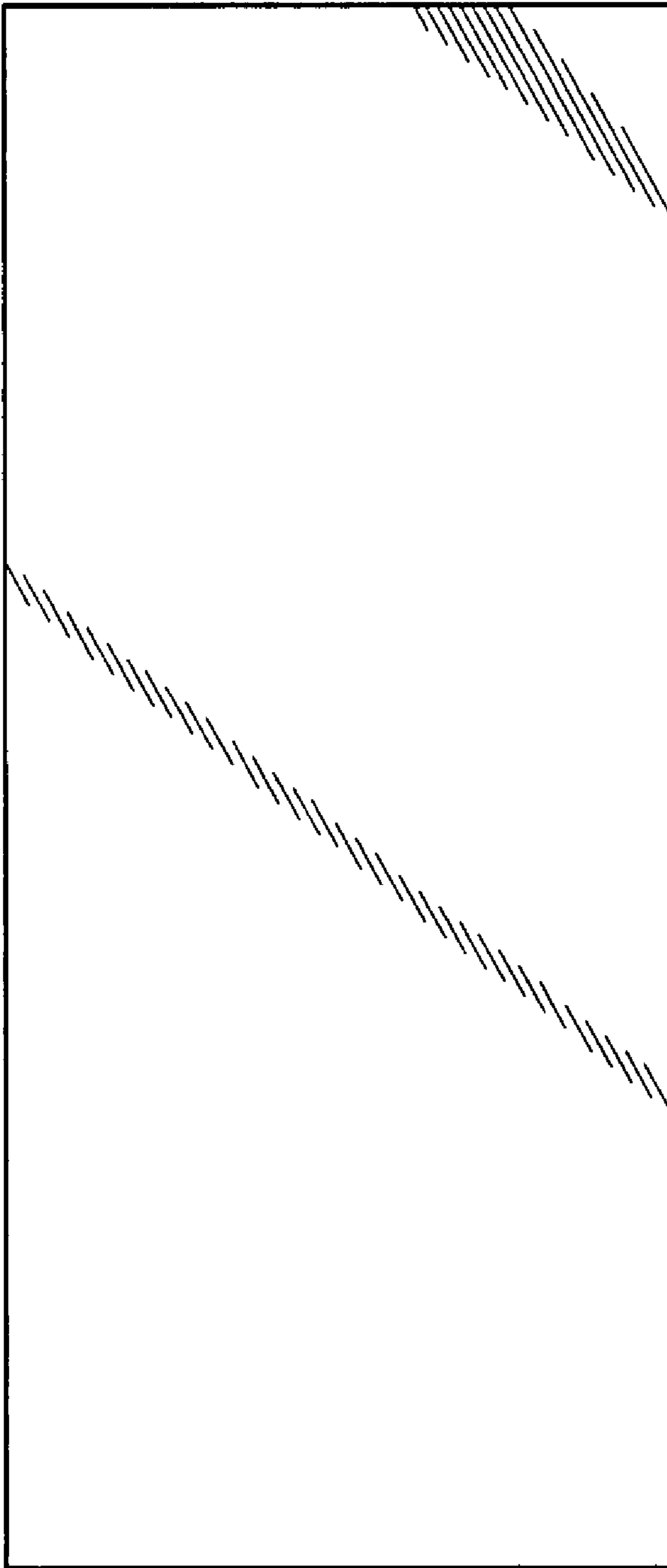


Fig. 5

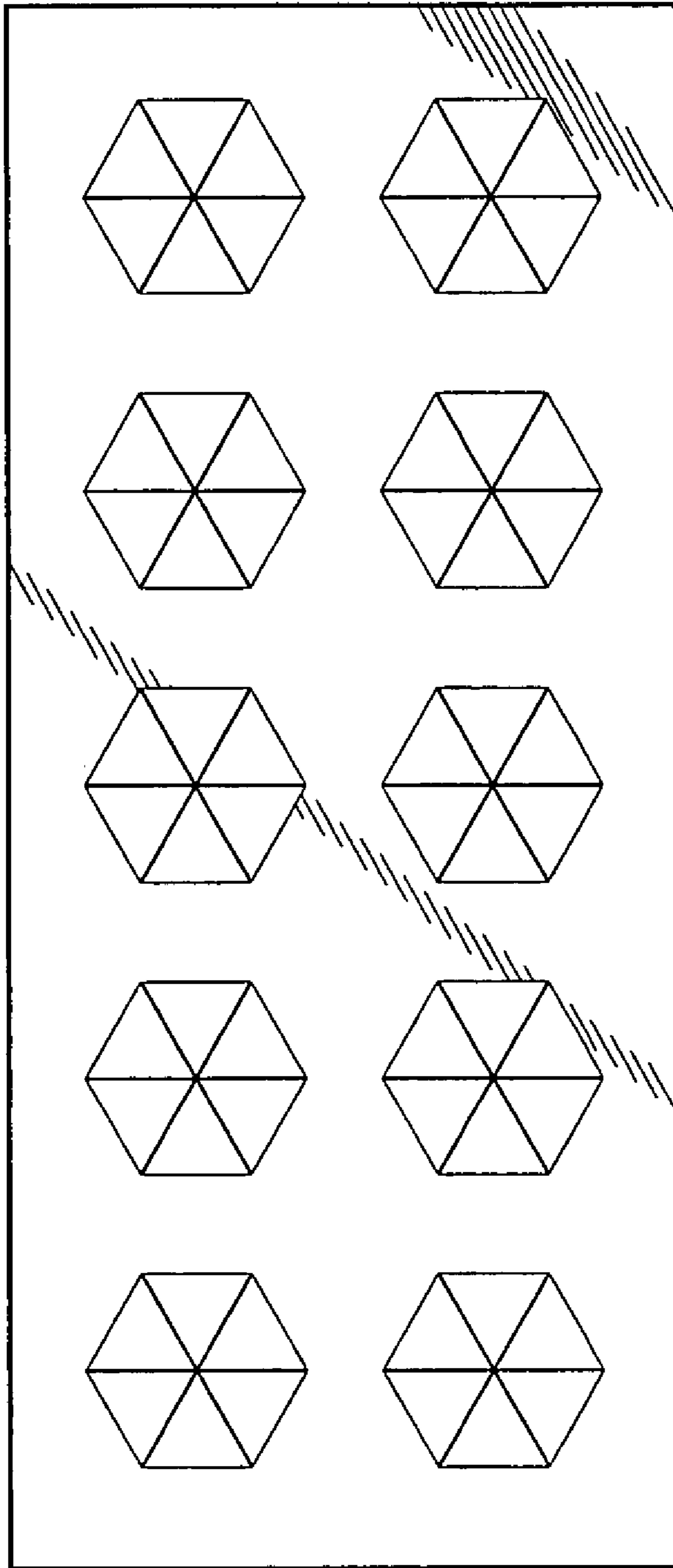


Fig. 6