

US00D566848S

(12) **United States Design Patent**  
**Dorn**

(10) **Patent No.:** **US D566,848 S**  
(45) **Date of Patent:** **\*\* Apr. 15, 2008**

(54) **VIBRATING MESSAGE DEVICE**

(76) Inventor: **Alexander Dorn**, Dorf 52a, A-6943  
Riefensberg (AT)

(\*\*) Term: **14 Years**

(21) Appl. No.: **29/228,421**

(22) Filed: **Apr. 20, 2005**

(30) **Foreign Application Priority Data**

Oct. 20, 2004 (AT) ..... 1615/2004

(51) **LOC (8) Cl.** ..... **28-03**

(52) **U.S. Cl.** ..... **D24/215**

(58) **Field of Classification Search** ..... D24/110,  
D24/133, 200-215; D11/1-5, 12-14, 18-21,  
D11/26-41; 63/13-15.9, 26-28; 128/24-36,  
128/59, 842, 844; 601/46, 78, 80-85, 112,  
601/118-119, 126-137; 600/38; 33/566;  
273/276, 440, 153-160; D21/108-114, 386,  
D21/503; D20/22-28; D25/52-63; 446/104-128,  
446/476, 479

See application file for complete search history.

(56) **References Cited**

**U.S. PATENT DOCUMENTS**

D82,677 S \* 12/1930 Heyer ..... D24/214  
D188,230 S \* 6/1960 Moxley ..... D24/215  
3,672,355 A \* 6/1972 Ogawa et al. .... 601/73

D354,571 S \* 1/1995 Monti ..... D24/215  
D371,443 S \* 7/1996 Lie ..... D24/215  
D429,819 S \* 8/2000 Coolidge ..... D24/215  
D439,984 S \* 4/2001 Thach ..... D24/215  
D447,809 S \* 9/2001 Gladieux et al. .... D24/211  
D450,614 S \* 11/2001 Wilkinson ..... D11/3

\* cited by examiner

*Primary Examiner*—Carol Rademaker  
*Assistant Examiner*—Susan E Krakower  
(74) *Attorney, Agent, or Firm*—Friedrich Kueffner

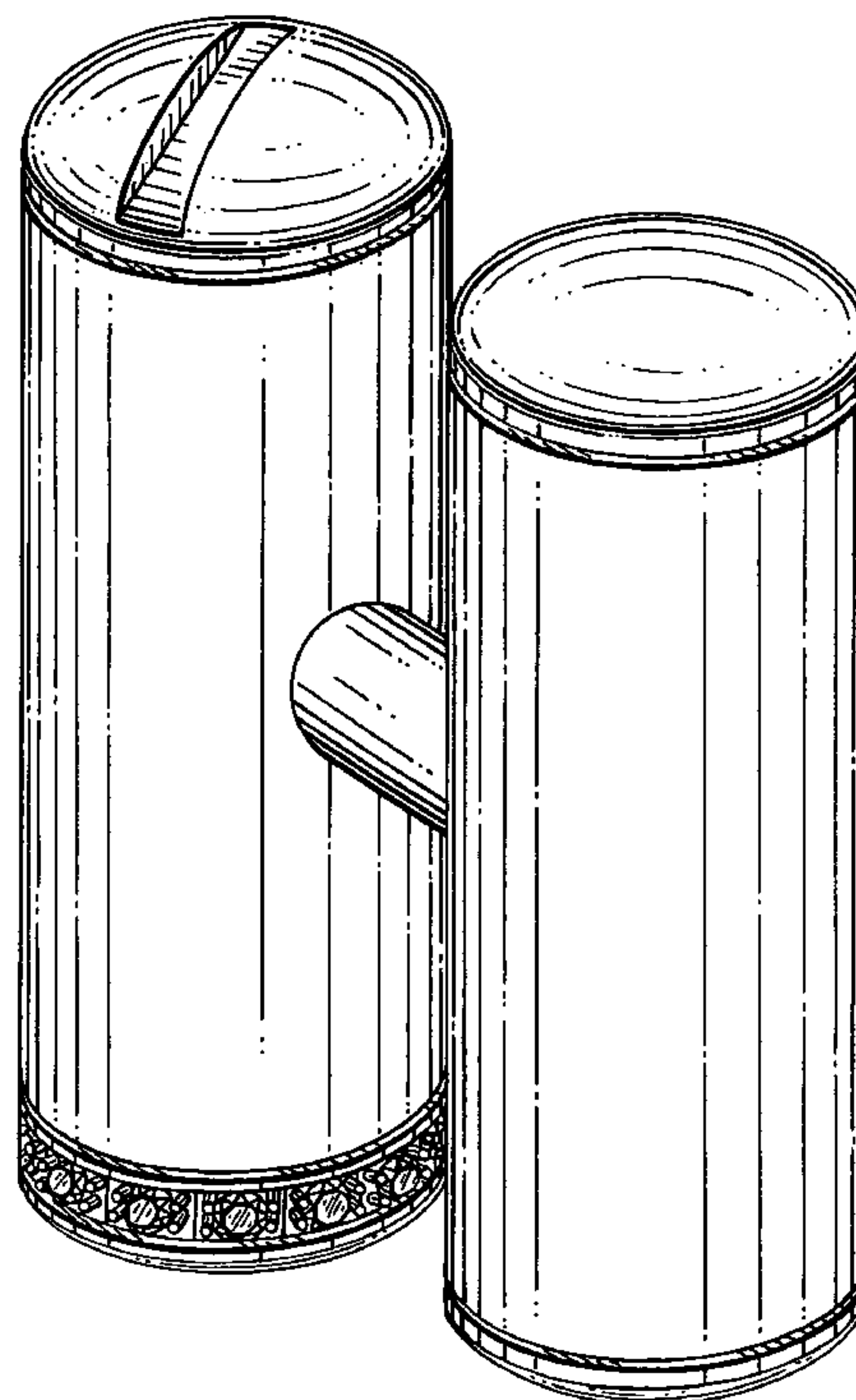
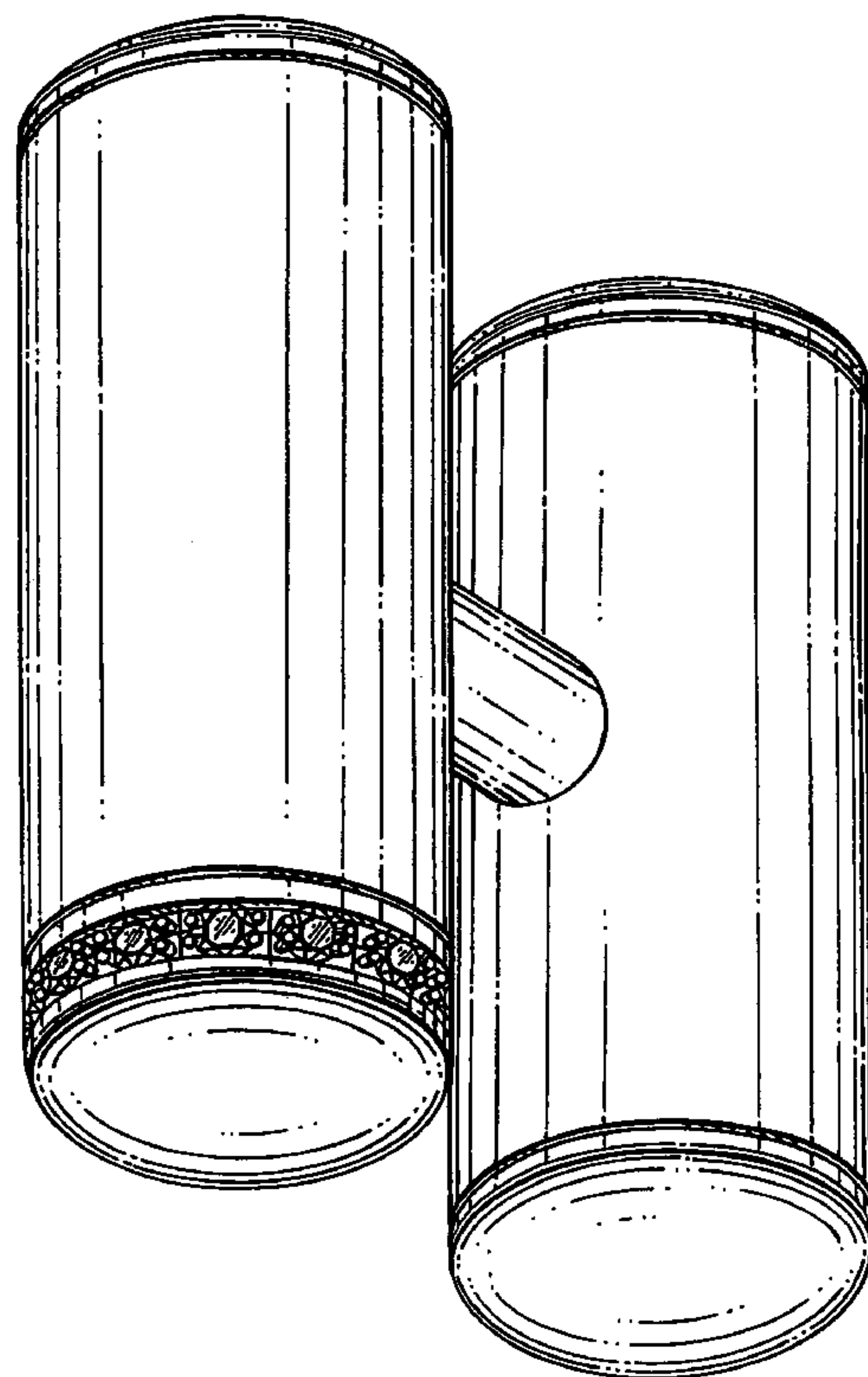
(57) **CLAIM**

The ornamental design for a vibrating message device, as shown and described.

**DESCRIPTION**

FIG. 1 is a front elevational view of a vibrating message device showing my new design;  
FIG. 2 is a rear elevation view thereof;  
FIG. 3 is a right side elevational view thereof;  
FIG. 4 is a bottom elevational view thereof;  
FIG. 5 is a left side elevational view thereof;  
FIG. 6 is a top elevational view thereof;  
FIG. 7 is a left bottom perspective view thereof; and,  
FIG. 8 is a right top perspective view thereof.

**1 Claim, 6 Drawing Sheets**



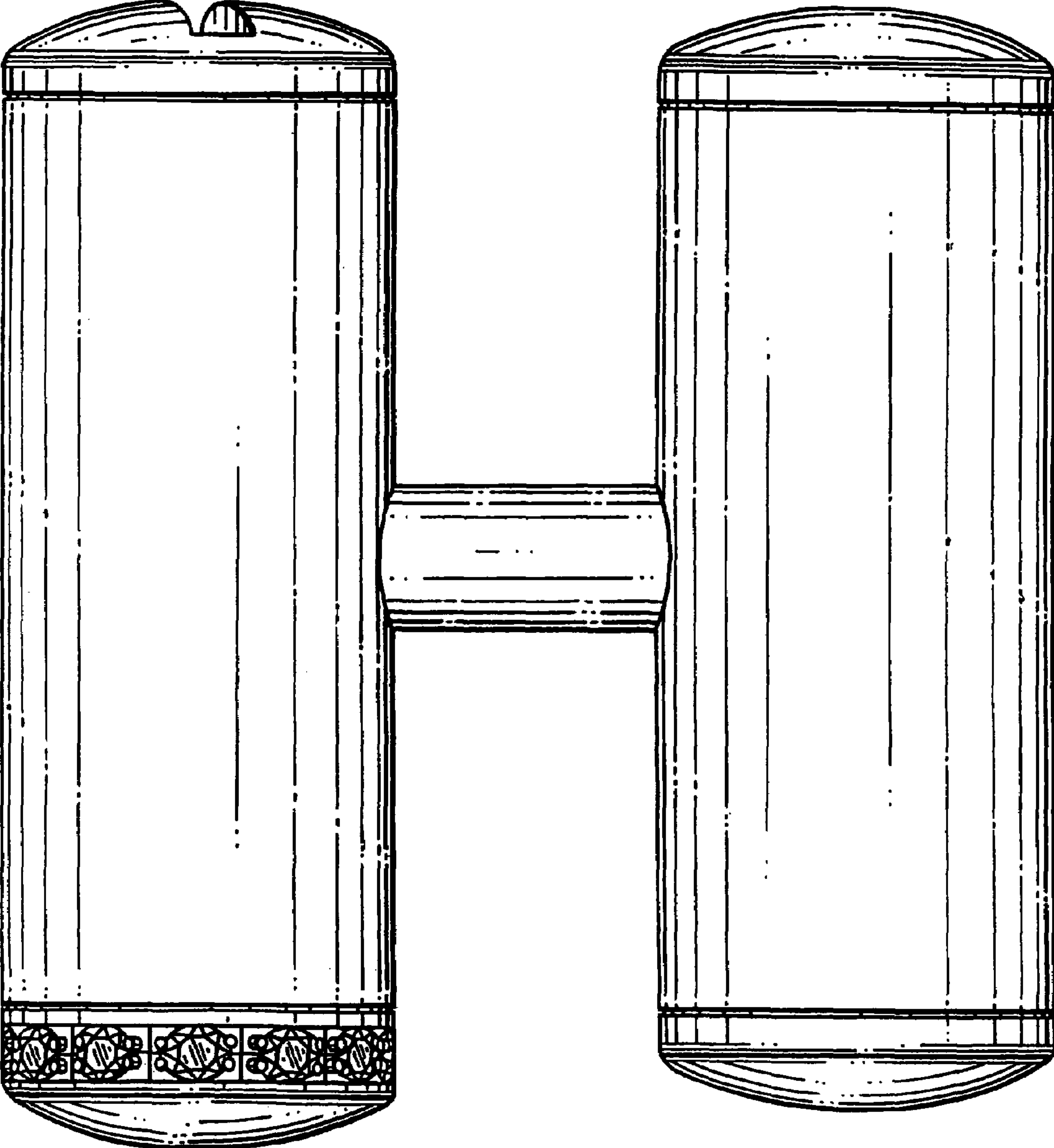


FIG. 1

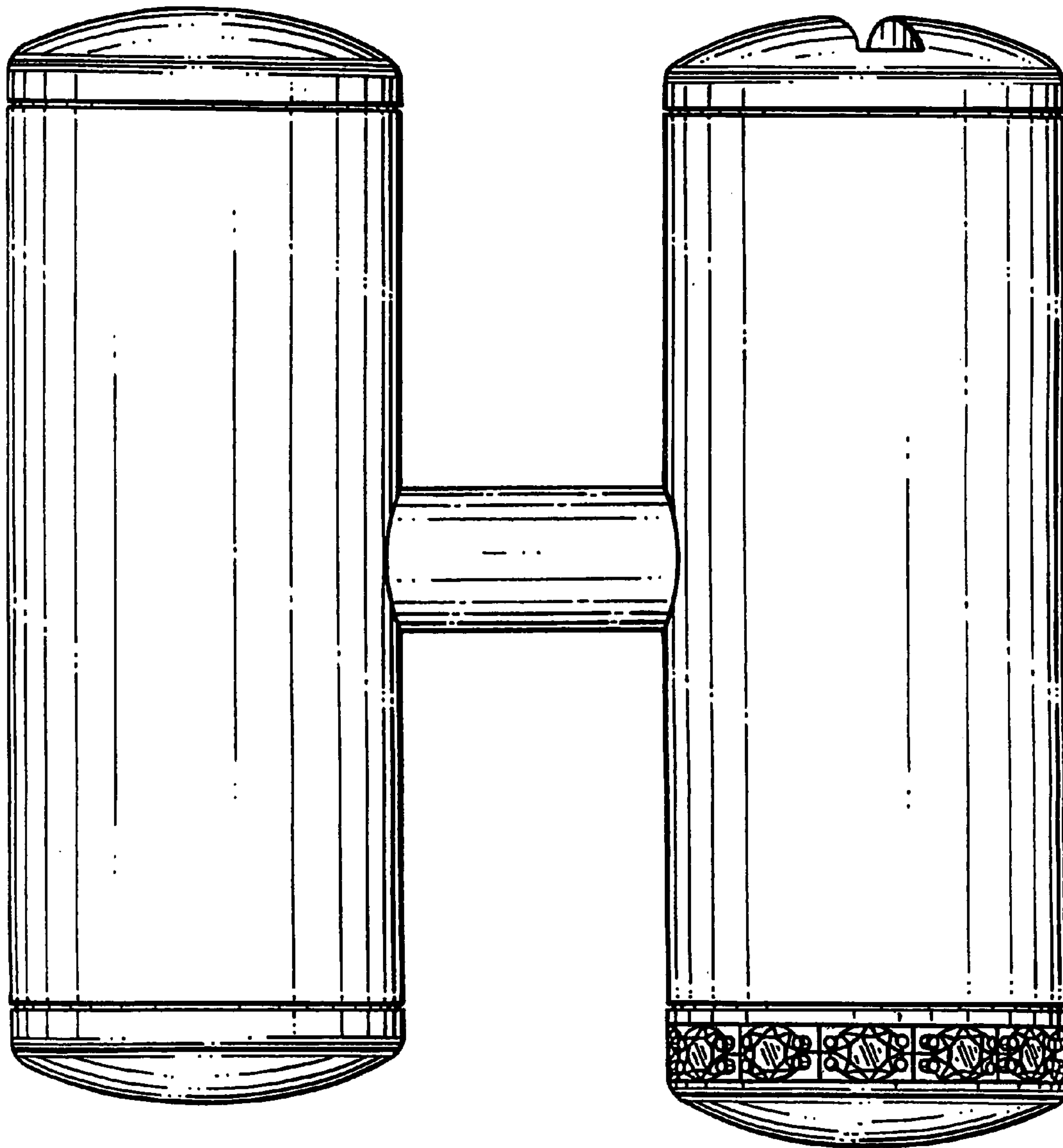


FIG. 2

FIG. 3

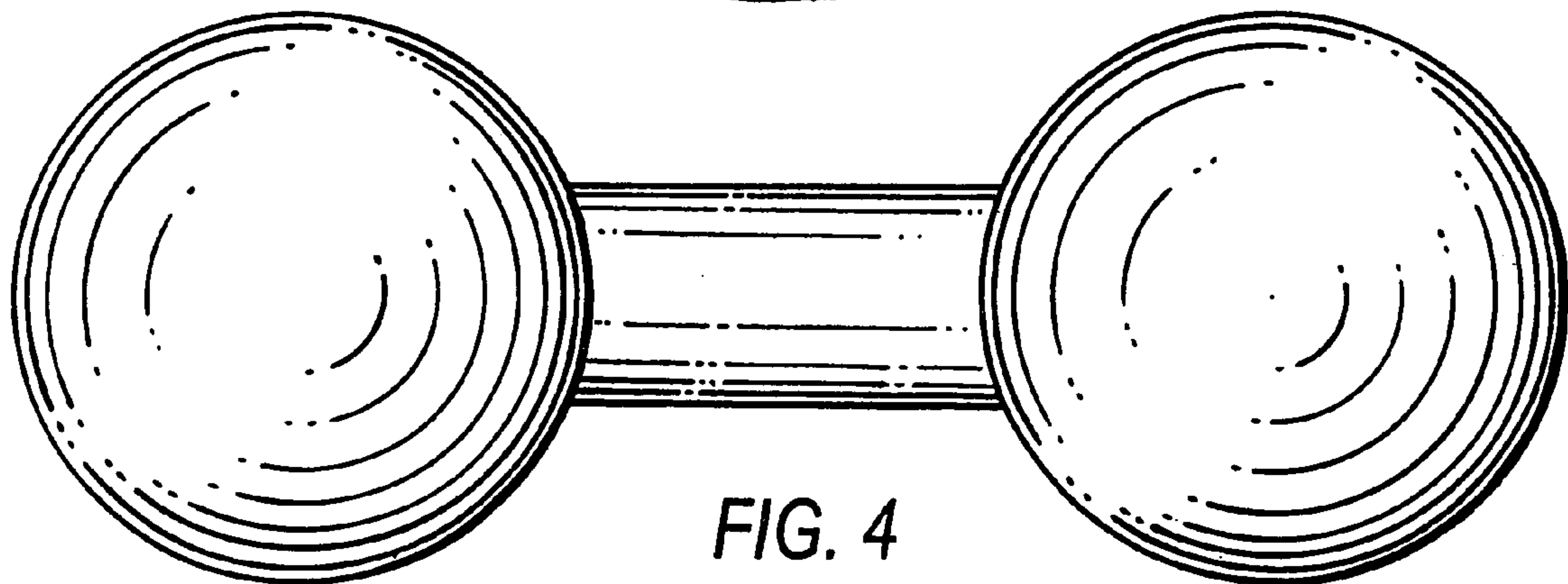
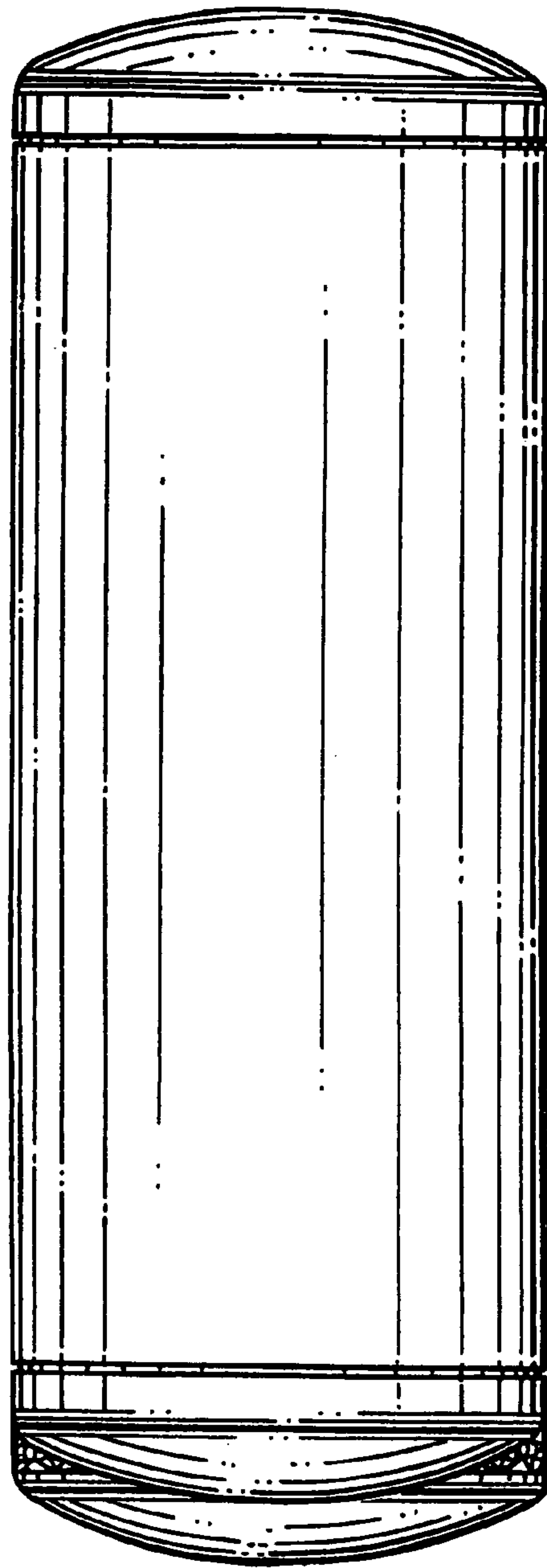


FIG. 4



FIG. 5

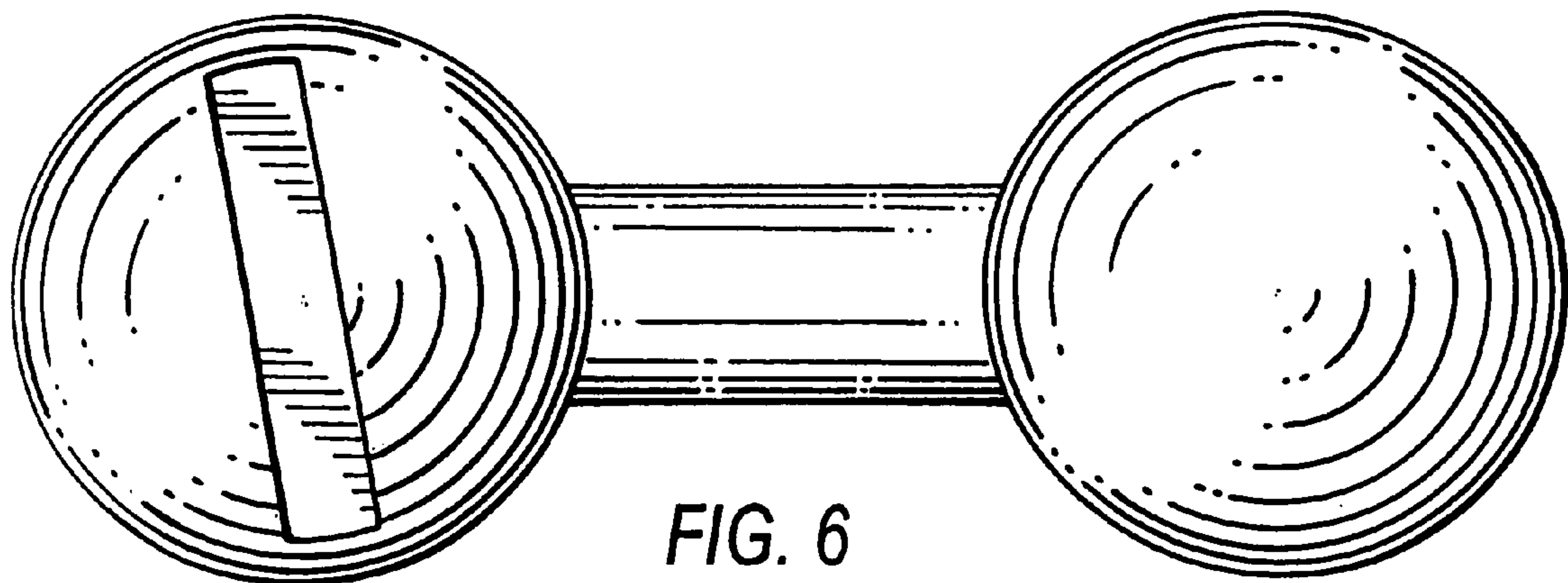
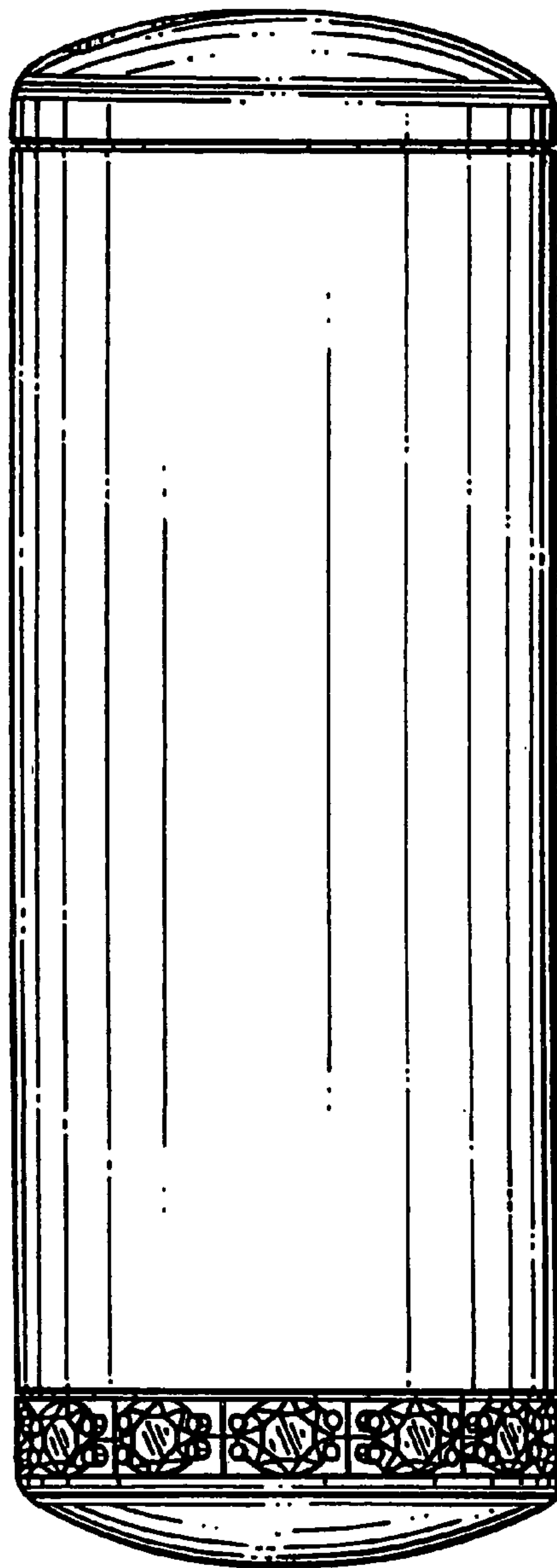


FIG. 6

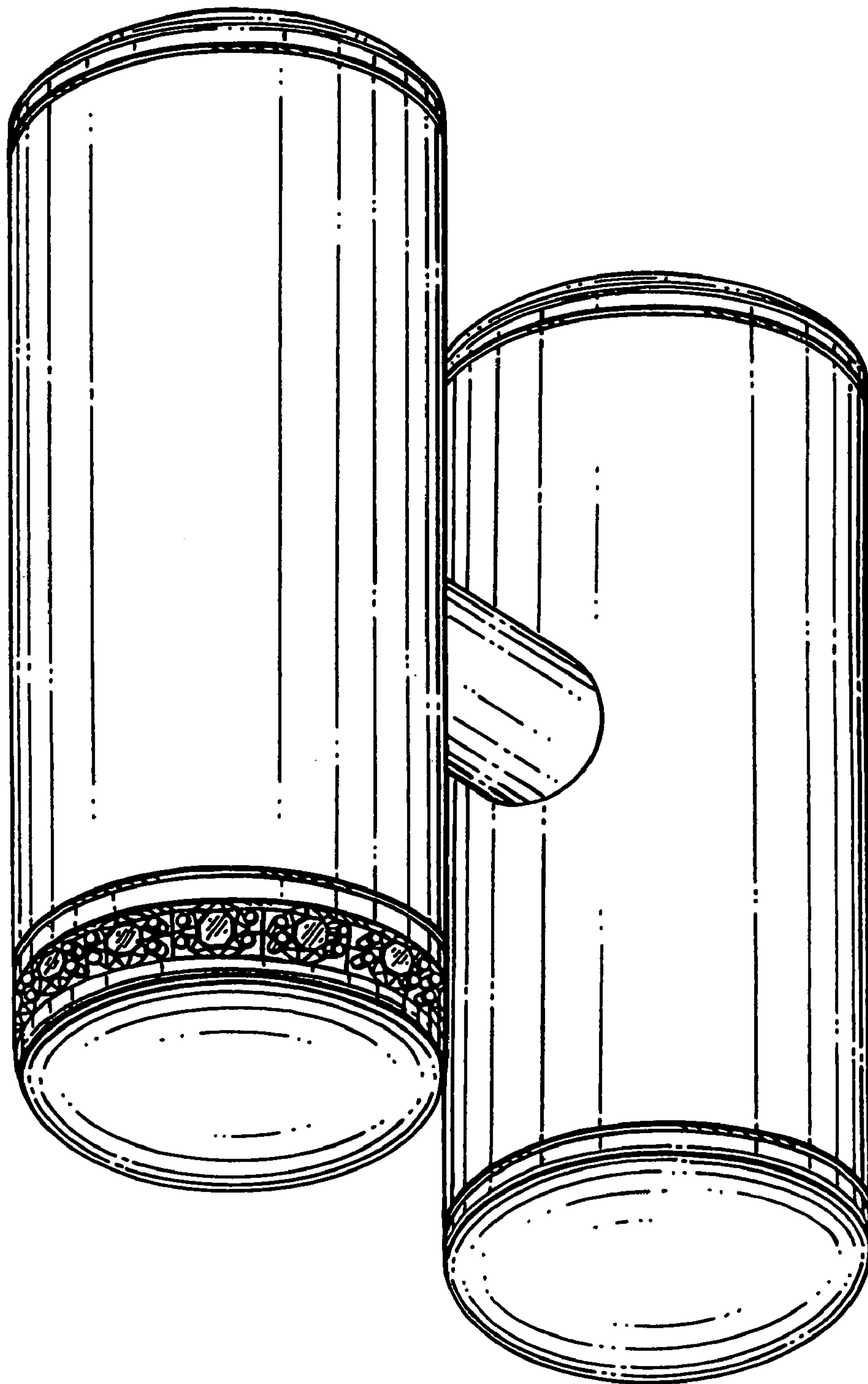


FIG. 7

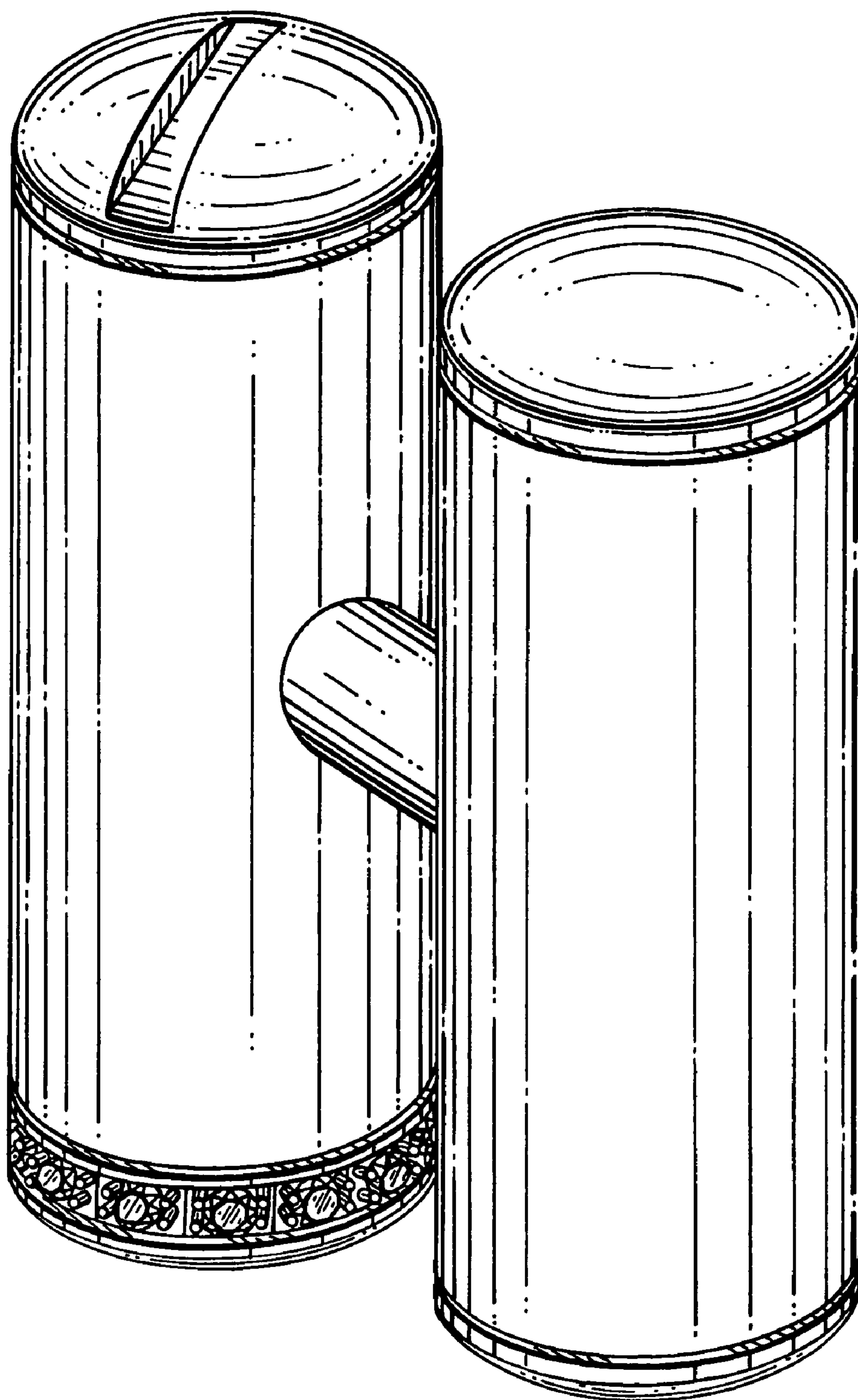


FIG. 8