



US00D566846S

(12) **United States Design Patent**  
**Kitayama**

(10) **Patent No.:** **US D566,846 S**

(45) **Date of Patent:** **\*\* Apr. 15, 2008**

(54) **MONITOR FOR AN ULTRASONIC DIAGNOSIS APPARATUS**

D466,118 S \* 11/2002 Lee ..... D14/375

**FOREIGN PATENT DOCUMENTS**

(75) Inventor: **Masahiko Kitayama**, Mitaka (JP)

JP D882723 11/1993

JP D915822 12/1994

(73) Assignees: **Kabushiki Kaisha Toshiba** (JP);

JP D1065340 3/2000

**Toshiba Medical Systems Corporation**

JP D1165140 2/2003

(JP)

JP D1185249 9/2003

JP D 1232180 3/2005

(\*\*) Term: **14 Years**

**OTHER PUBLICATIONS**

(21) Appl. No.: **29/262,526**

Extract of Nikkei Sangyo Shimbun (Newspaper), showing an ultrasonic diagnosis apparatus (iU22), Jul. 23, 2004.

(22) Filed: **Jul. 6, 2006**

\* cited by examiner

(30) **Foreign Application Priority Data**

Feb. 20, 2006 (JP) ..... 2006-003819

*Primary Examiner*—Robert A. Delehanty

*Assistant Examiner*—Mark Cavanna

(74) *Attorney, Agent, or Firm*—Banner & Witcoff, Ltd.

(51) **LOC (8) Cl.** ..... **24-01**

(52) **U.S. Cl.** ..... **D24/186**

(58) **Field of Classification Search** ..... D24/111,  
D24/169, 183–187, 216–234; D14/126,  
D14/356, 375, 381–382; 600/491, 493, 481,  
600/484, 513, 519, 528, 532, 536, 538, 549  
See application file for complete search history.

(57) **CLAIM**

The ornamental design for a monitor for an ultrasonic diagnosis apparatus, as shown and described.

(56) **References Cited**

**U.S. PATENT DOCUMENTS**

D313,405 S	1/1991	Barry et al.	
D383,842 S *	9/1997	Kenley et al.	D24/169
D386,158 S *	11/1997	Rosen	D14/375
D395,085 S *	6/1998	Kenley et al.	D24/169
D406,894 S *	3/1999	Menhennett et al.	D24/169
D412,748 S *	8/1999	Nabarro	D24/186
D426,204 S *	6/2000	Maio et al.	D14/356
D447,569 S *	9/2001	Baily et al.	D24/186
D459,477 S *	6/2002	Stocks et al.	D24/186
D460,055 S *	7/2002	Rosen	D14/126

**DESCRIPTION**

FIG. 1 is a front, top and right side perspective view of a monitor for an ultrasonic diagnosis apparatus, showing my new design;

FIG. 2 is a rear, top and left side perspective view thereof;

FIG. 3 is a front elevational view thereof;

FIG. 4 is a rear elevational view thereof;

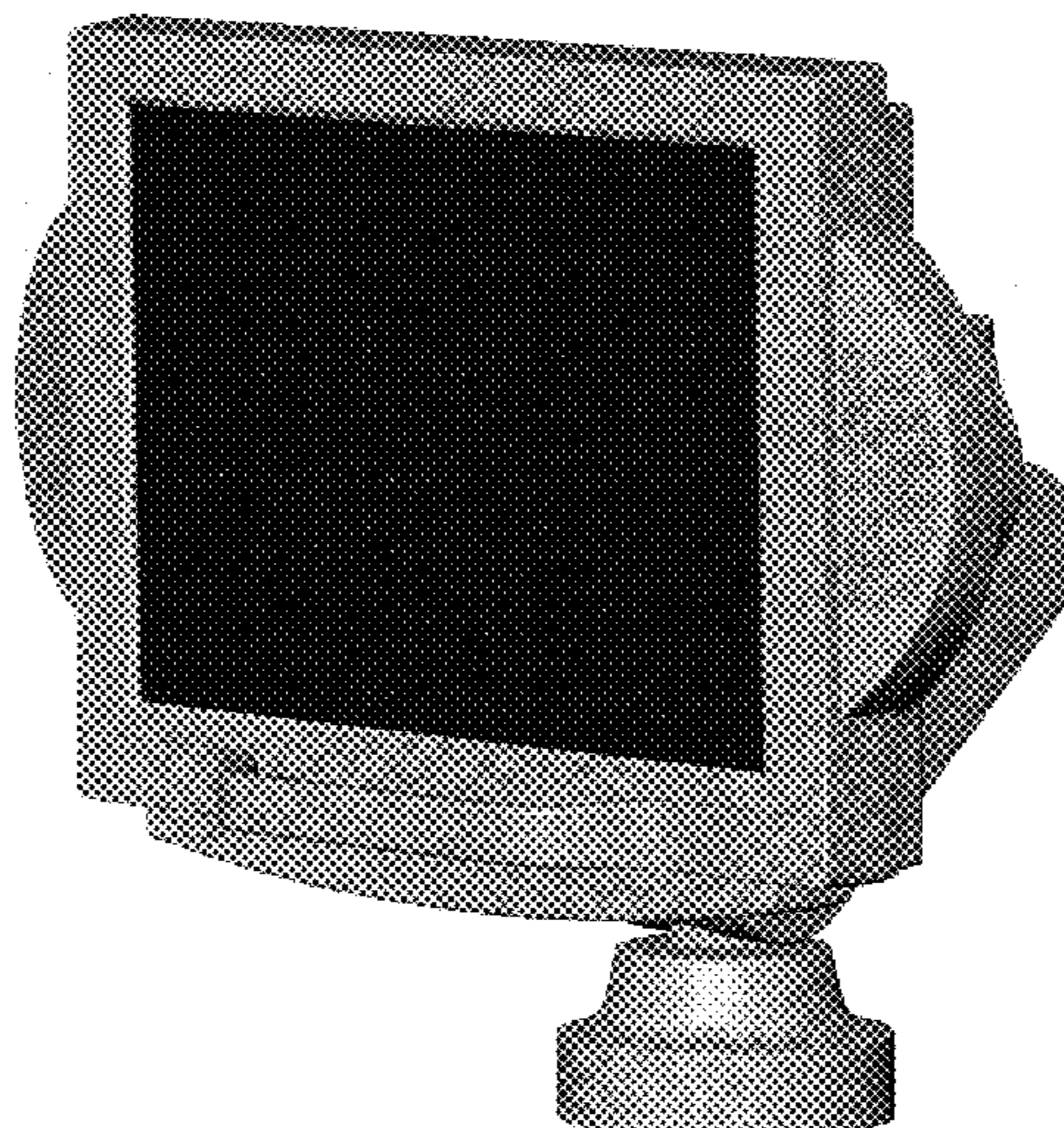
FIG. 5 is a top plan view thereof;

FIG. 6 is a bottom plan view thereof;

FIG. 7 is a right side elevational view thereof; and,

FIG. 8 is a left side elevational view thereof.

**1 Claim, 8 Drawing Sheets**



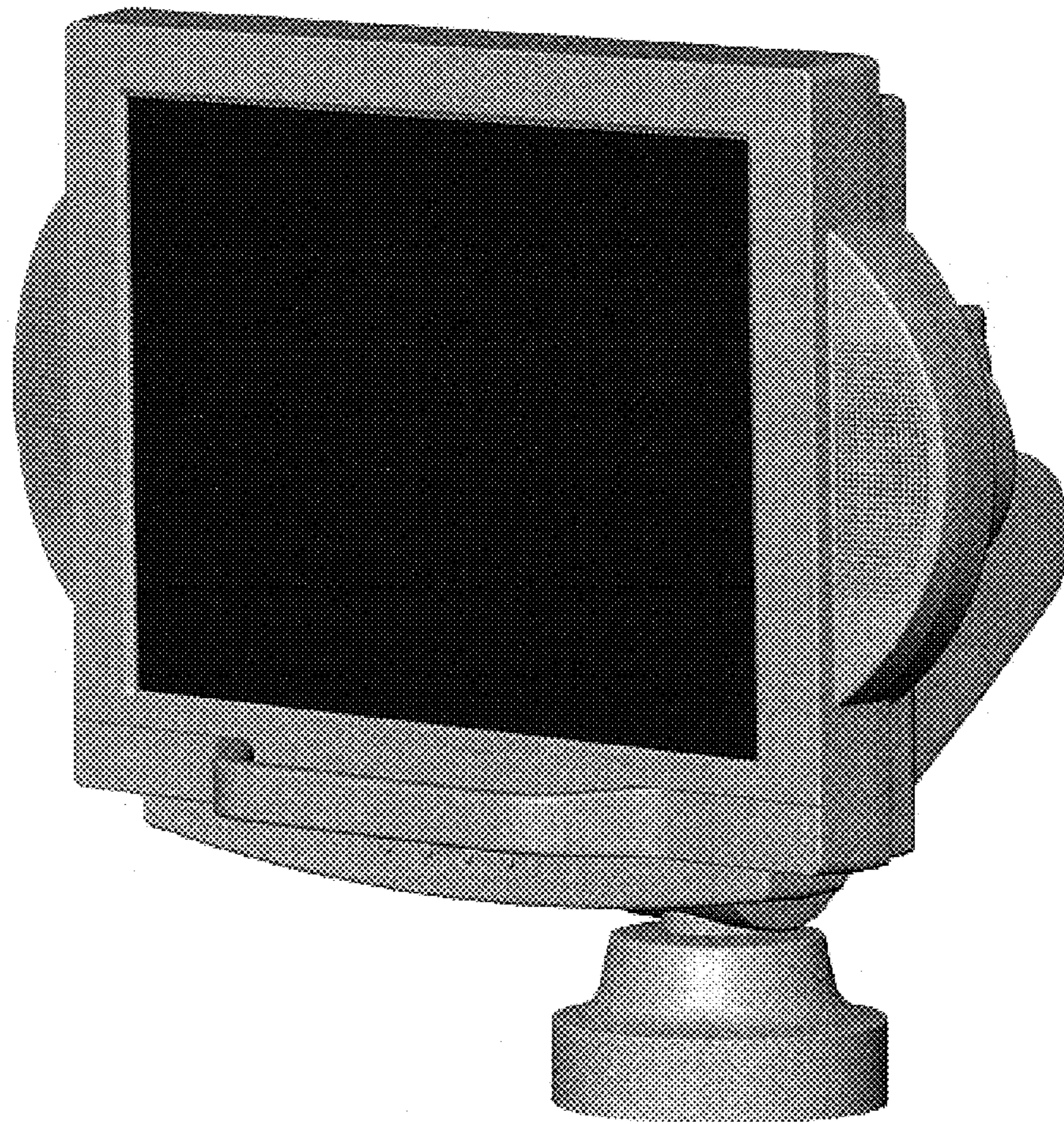


FIG.1

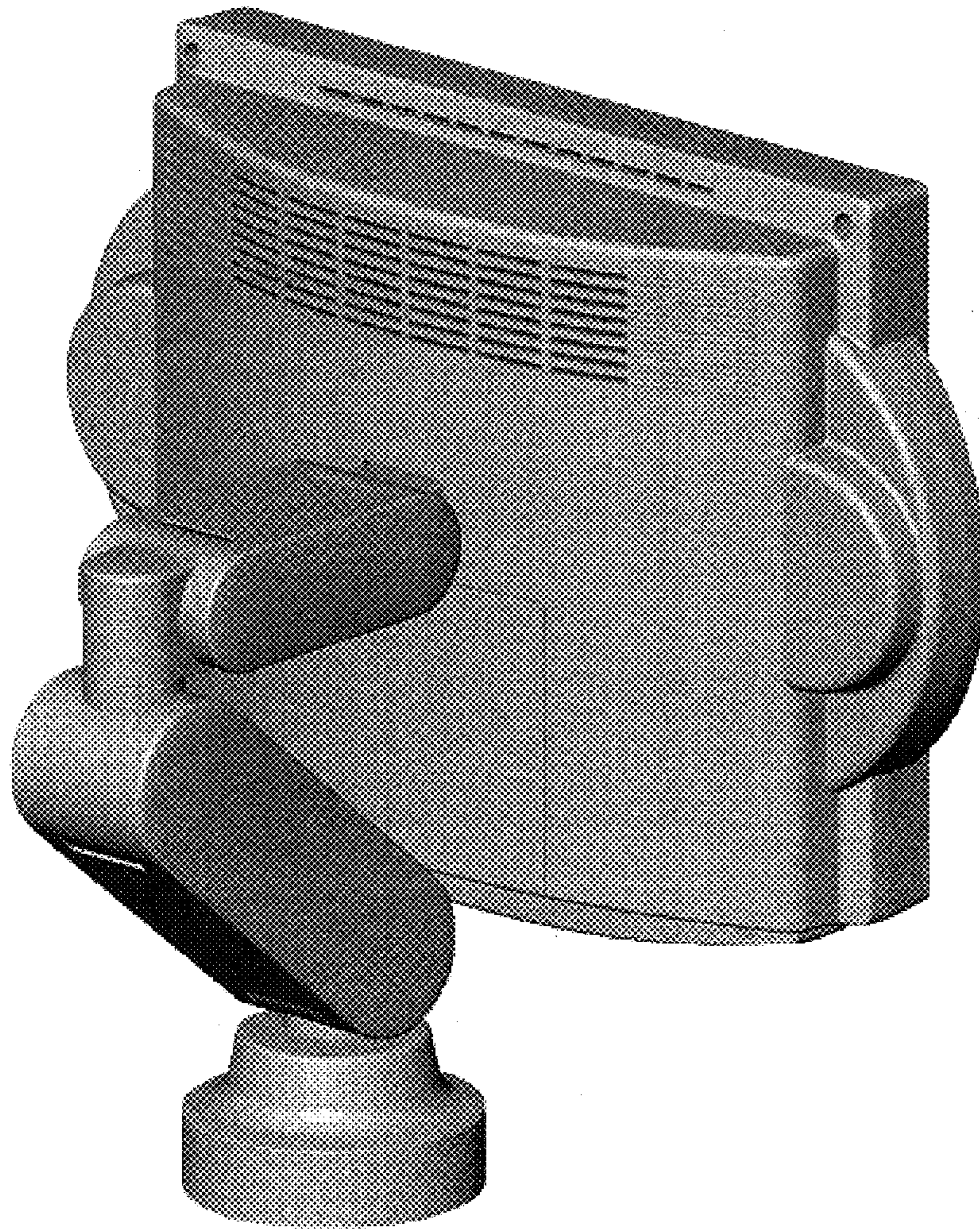


FIG.2

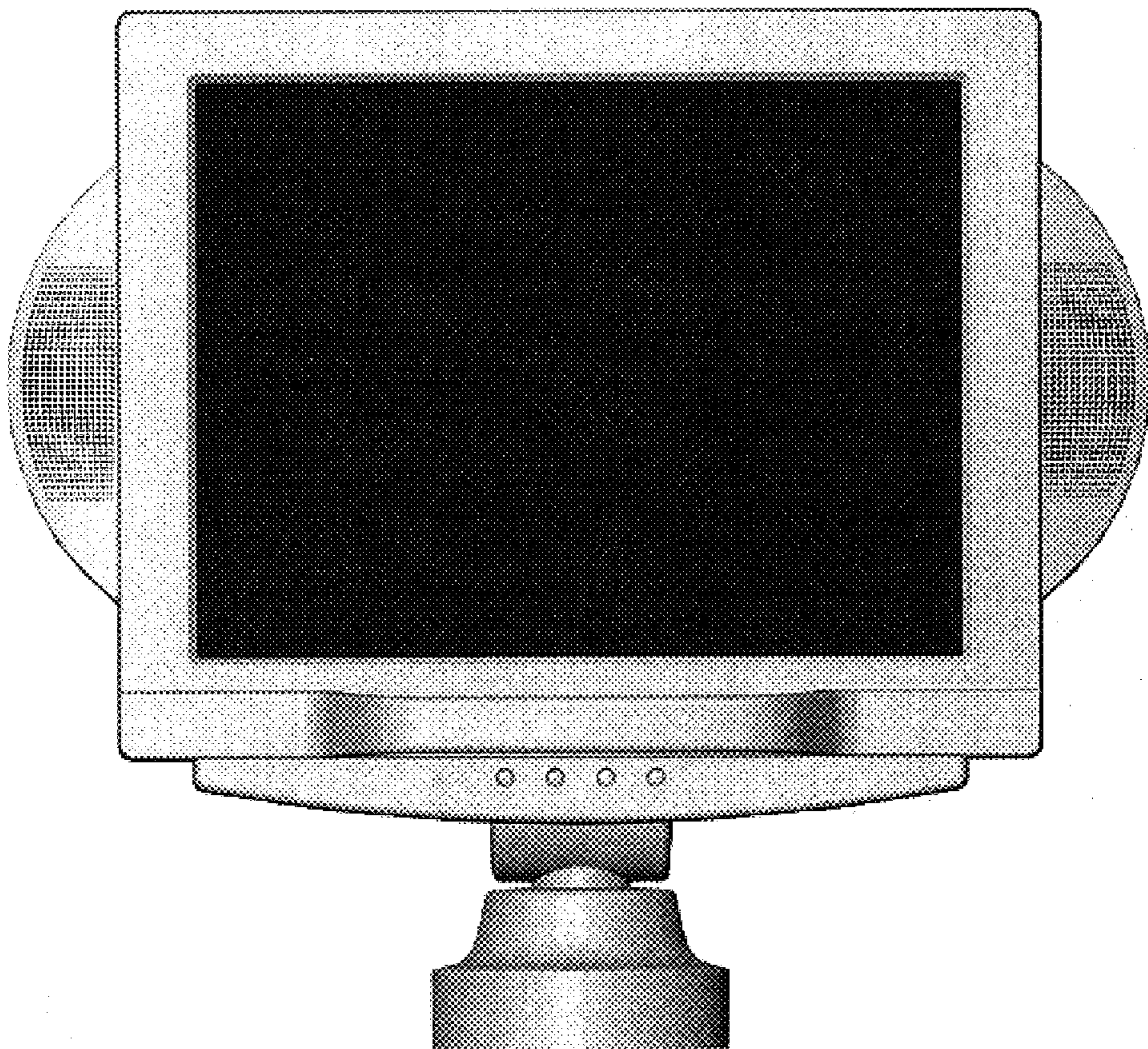


FIG.3

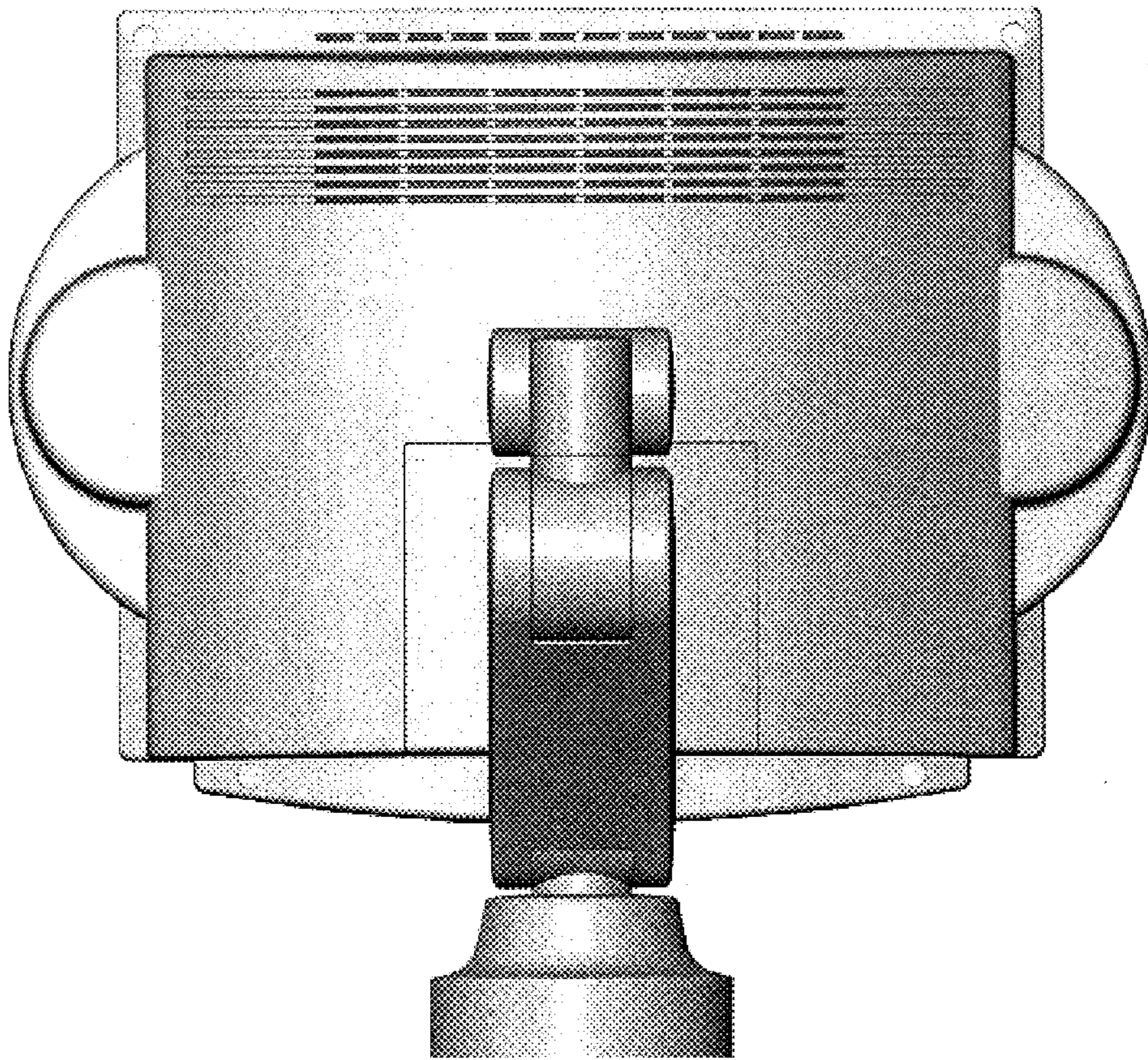


FIG.4

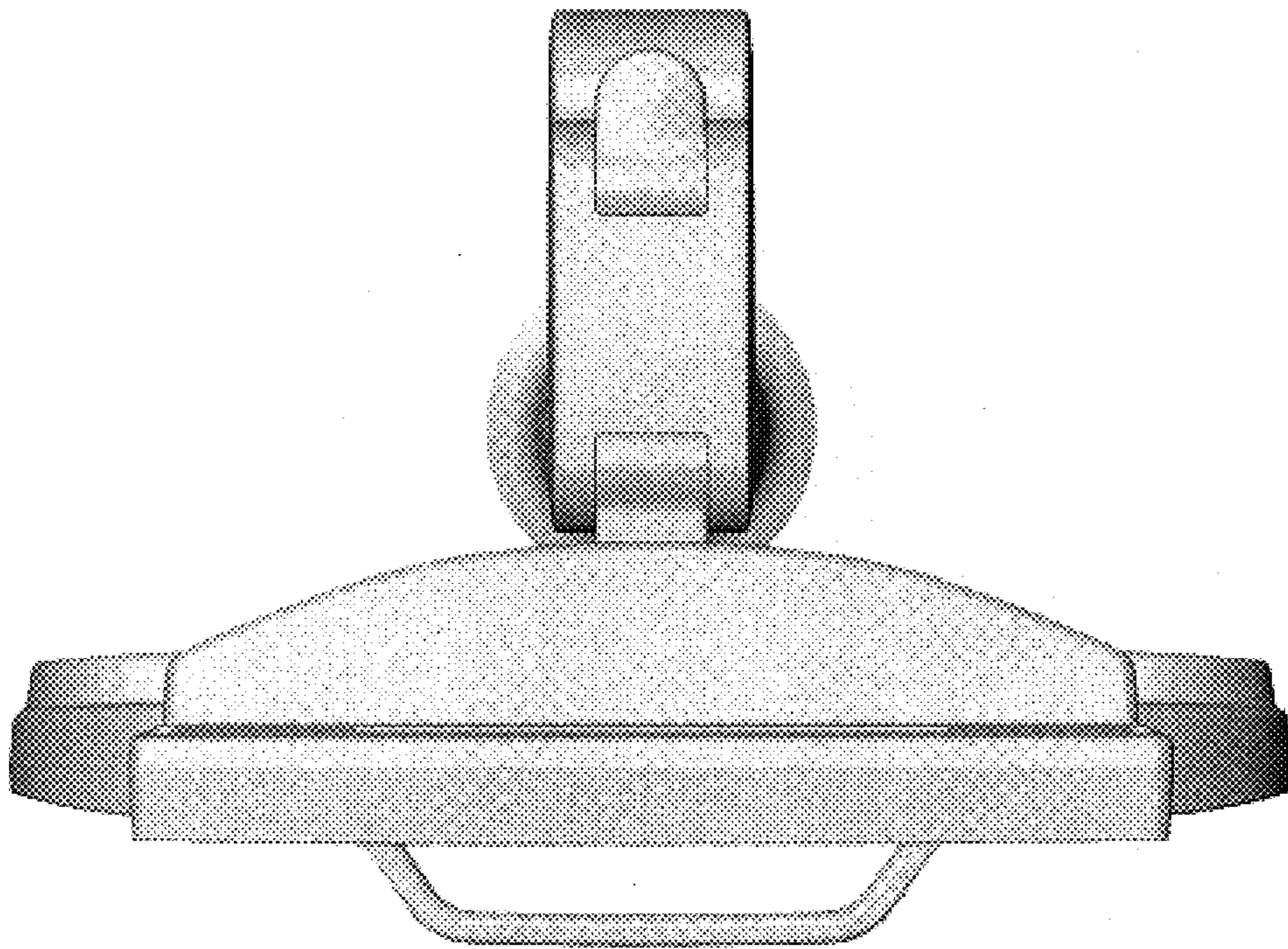


FIG.5

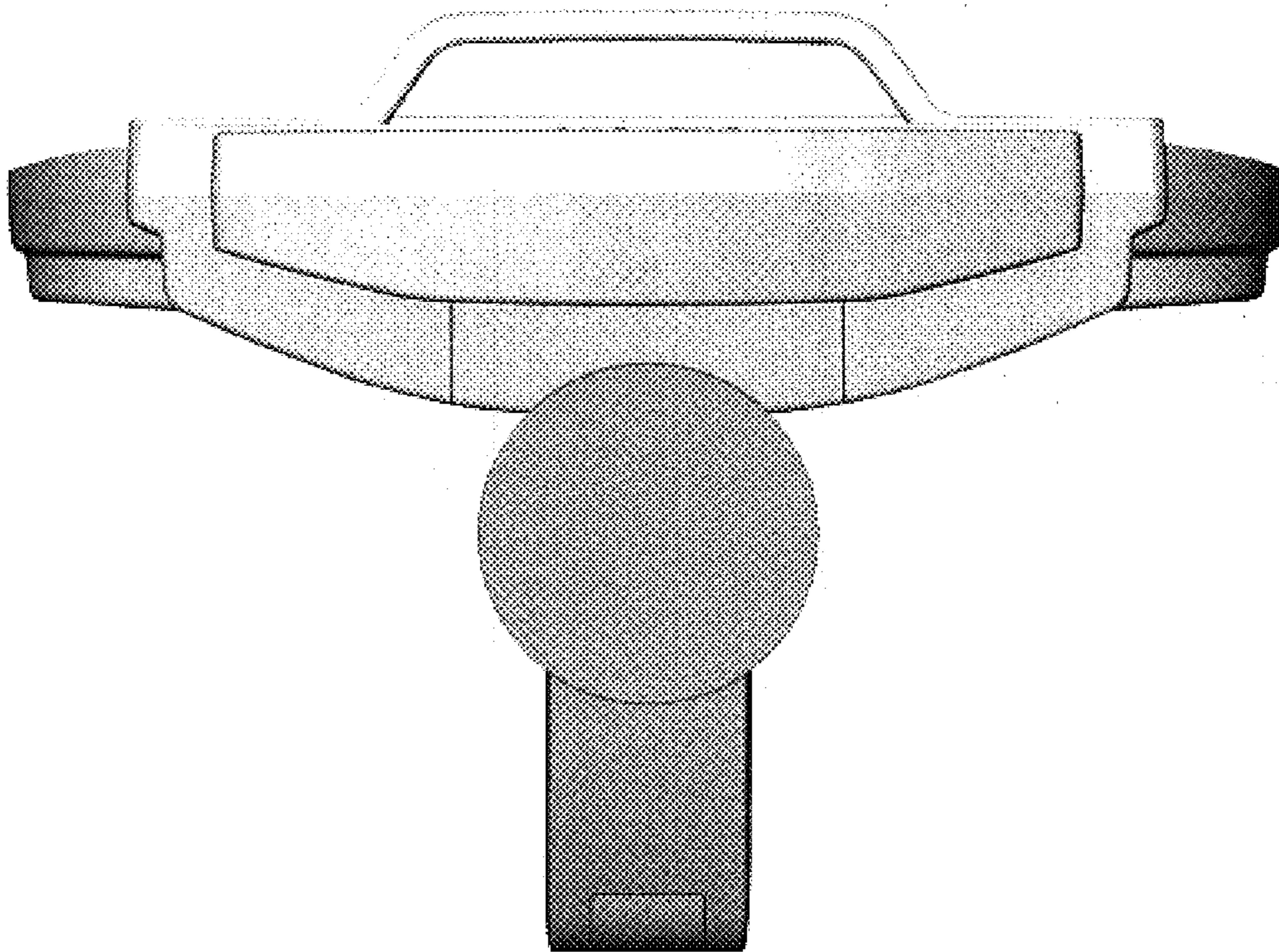


FIG.6

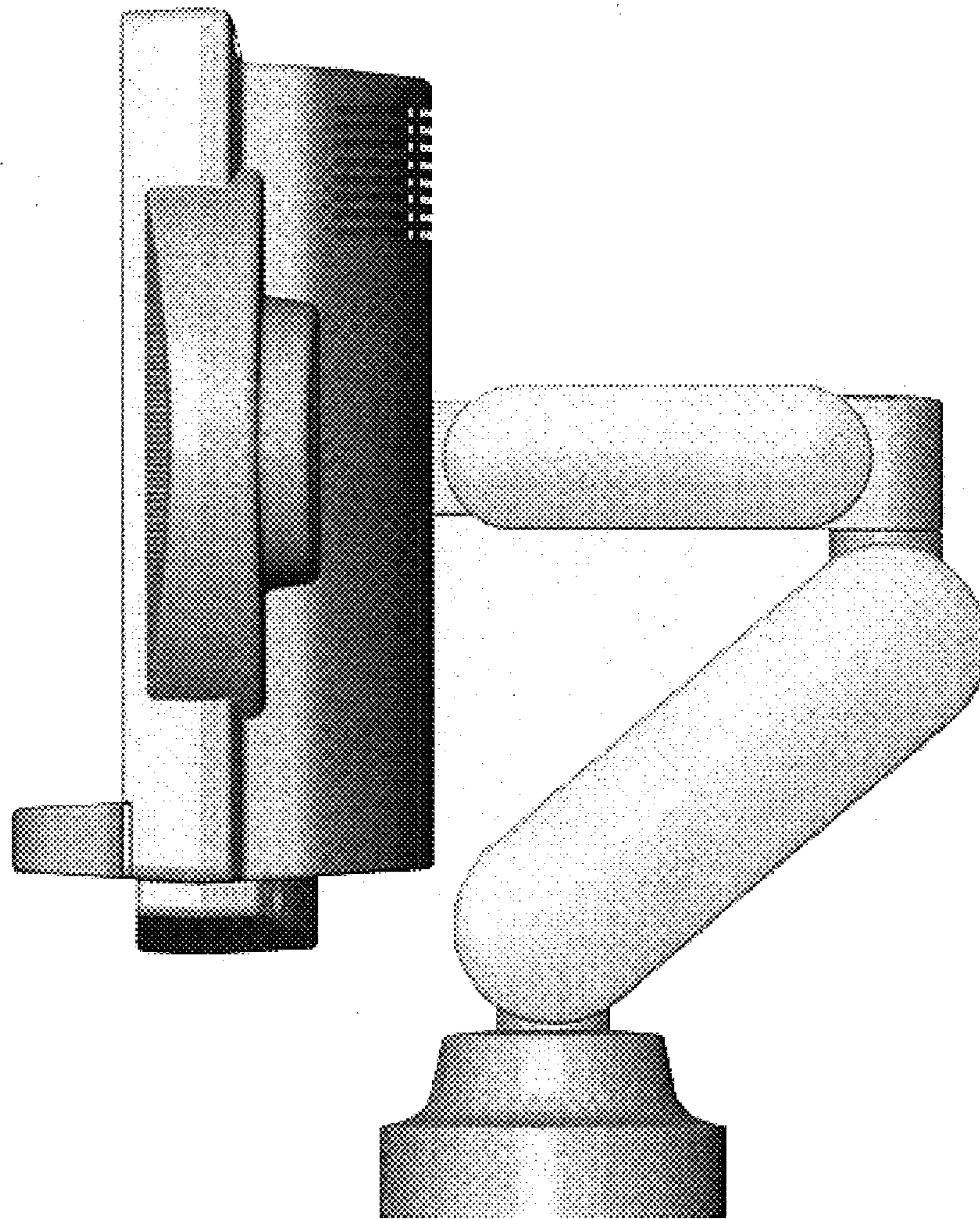


FIG.7



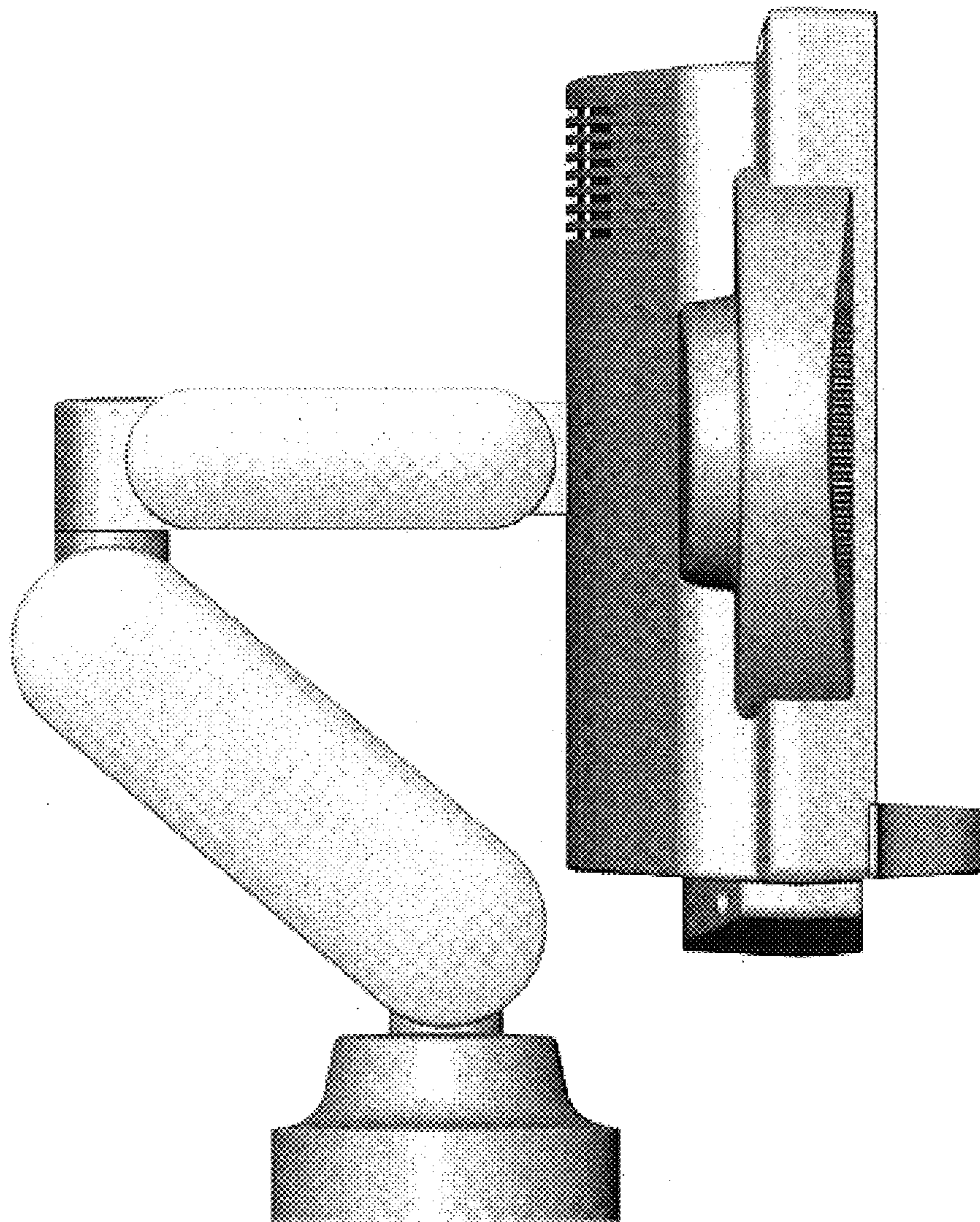


FIG.8