



US00D566845S

(12) **United States Design Patent**
Daly et al.

(10) **Patent No.:** **US D566,845 S**

(45) **Date of Patent:** **** Apr. 15, 2008**

(54) **PRONE POSITIONING APPARATUS**

6,913,019 B2 * 7/2005 Johns et al. 128/845
D555,251 S * 11/2007 Riach D24/184

(75) Inventors: **Paul C. Daly**, Abington, MA (US);
Wyleen A. Ingram, Stoneham, MA (US)

* cited by examiner

(73) Assignee: **RIC Investments, LLC**, Wilmington, DE (US)

Primary Examiner—Robert A. Delehanty

Assistant Examiner—Mark Cavanna

(74) *Attorney, Agent, or Firm*—Richard J. Coldren

(**) Term: **14 Years**

(57) **CLAIM**

(21) Appl. No.: **29/282,951**

The ornamental design for a prone positioning apparatus, as shown and described.

(22) Filed: **Aug. 2, 2007**

DESCRIPTION

(51) **LOC (8) Cl.** **24-01**

(52) **U.S. Cl.** **D24/183**

(58) **Field of Classification Search** D24/183–184;
D6/595, 596, 601, 604; 5/621, 630, 633,
5/636–638, 640, 652–654, 661; 297/391;
128/845; D21/688

See application file for complete search history.

FIG. 1 is an isometric view of a prone positioning apparatus in accordance with an embodiment of the invention;

FIG. 2 is a left side elevation view of the prone positioning apparatus of FIG. 1;

FIG. 3 is a right side elevation view of the prone positioning apparatus of FIG. 1;

FIG. 4 is a top plan view of the prone positioning apparatus of FIG. 1;

FIG. 5 is a bottom plan view of the prone positioning apparatus of FIG. 1;

FIG. 6 is a front end elevation view of the prone positioning apparatus of FIG. 1;

FIG. 7 is a back end elevation view of the prone positioning apparatus of FIG. 1; and,

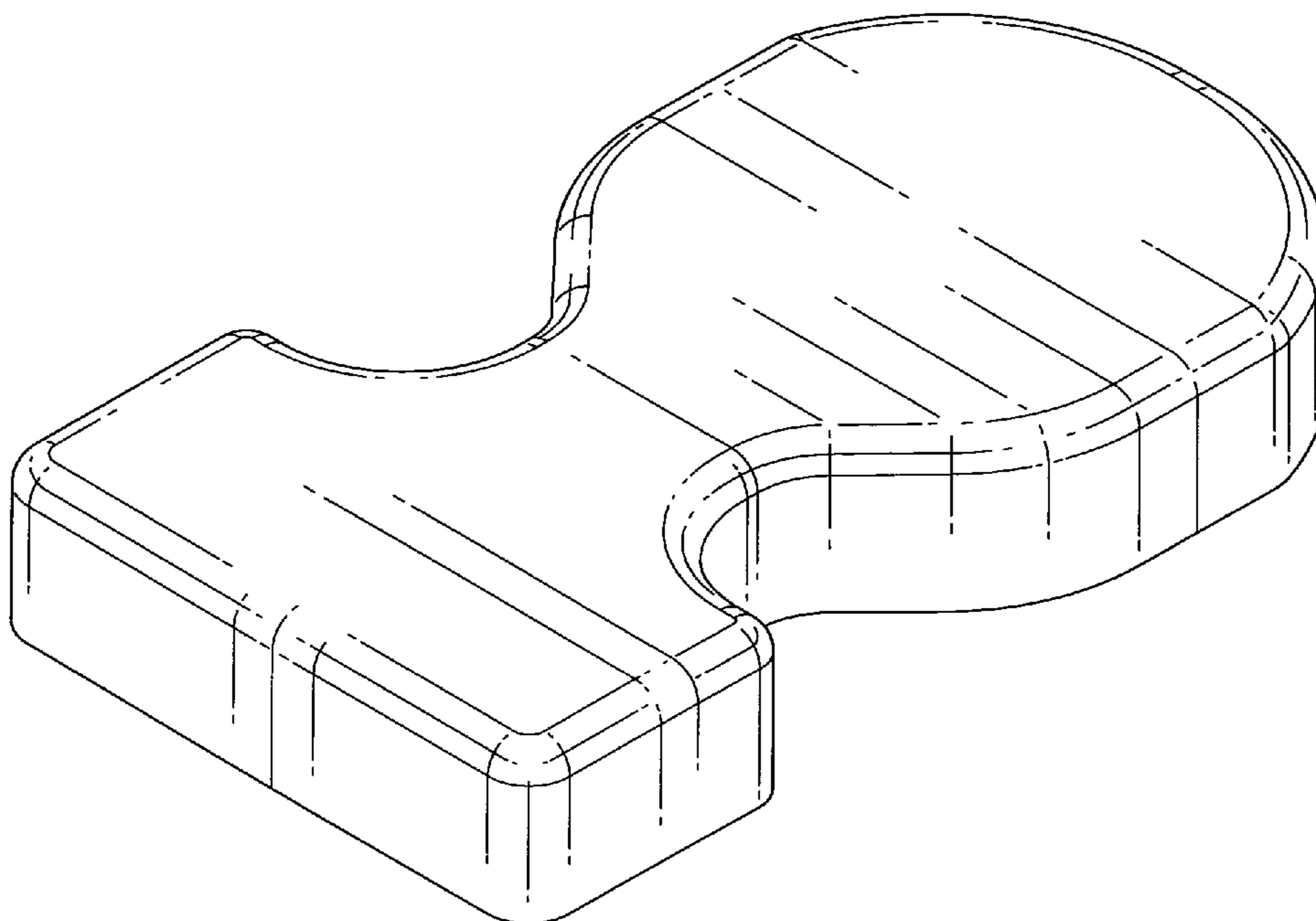
FIG. 8 is another isometric view of the prone positioning apparatus of FIG. 1.

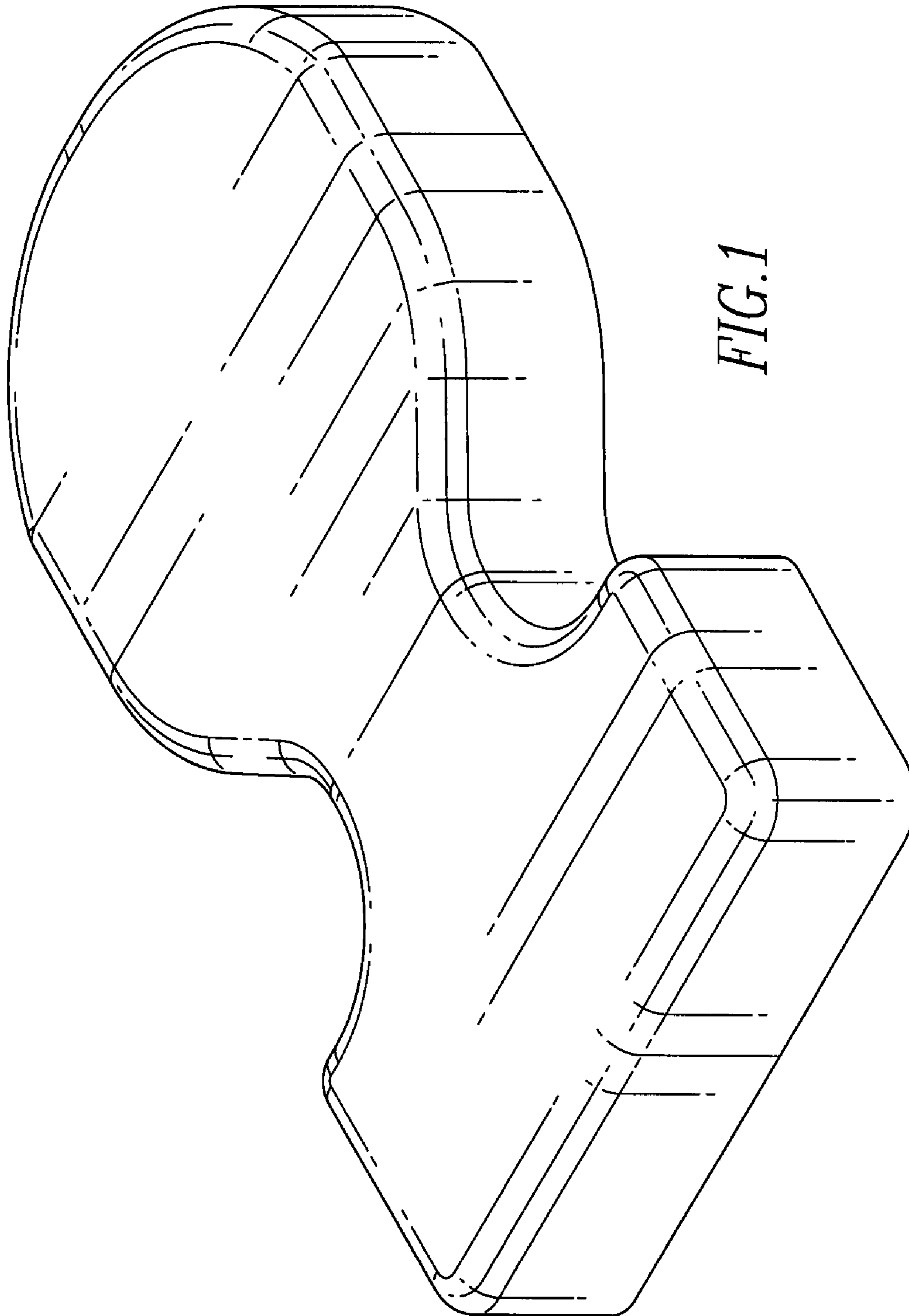
(56) **References Cited**

U.S. PATENT DOCUMENTS

- D299,297 S * 1/1989 Prager D6/596
- D318,203 S * 7/1991 Zaghini 5/636
- D337,914 S * 8/1993 McDonald 5/638
- D342,410 S * 12/1993 Boyd D6/601
- D359,537 S * 6/1995 Mays D21/688
- D384,850 S * 10/1997 Fanuzzi D6/596
- D388,648 S * 1/1998 Bates 5/636
- 5,778,887 A * 7/1998 Curtiss 128/845
- D414,974 S * 10/1999 Marrone et al. D6/601
- D416,745 S * 11/1999 Noyes D6/601
- D452,404 S * 12/2001 Cameron D6/601

1 Claim, 6 Drawing Sheets





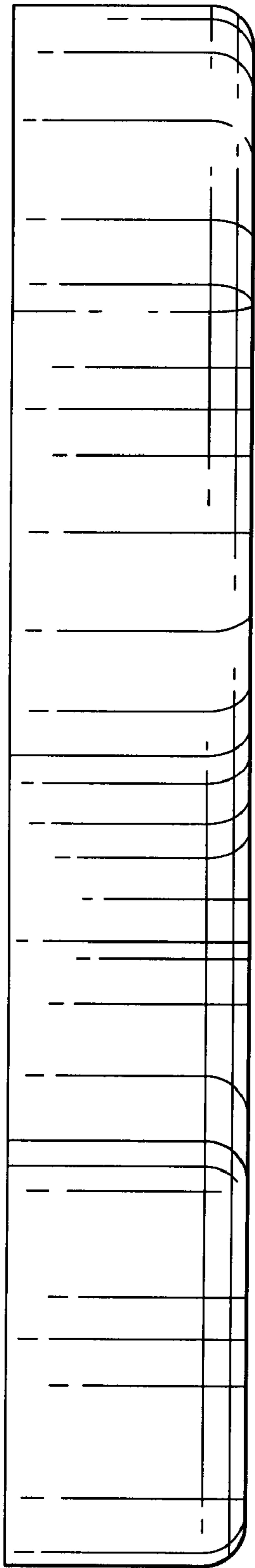


FIG. 2

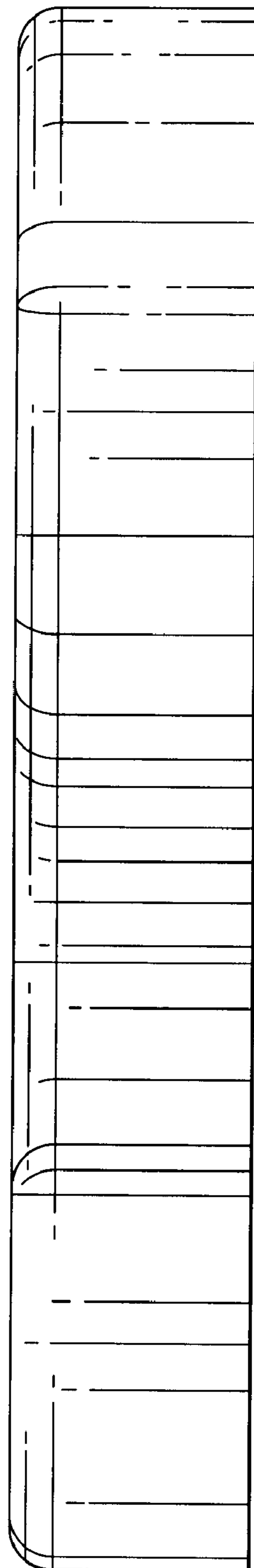


FIG. 3

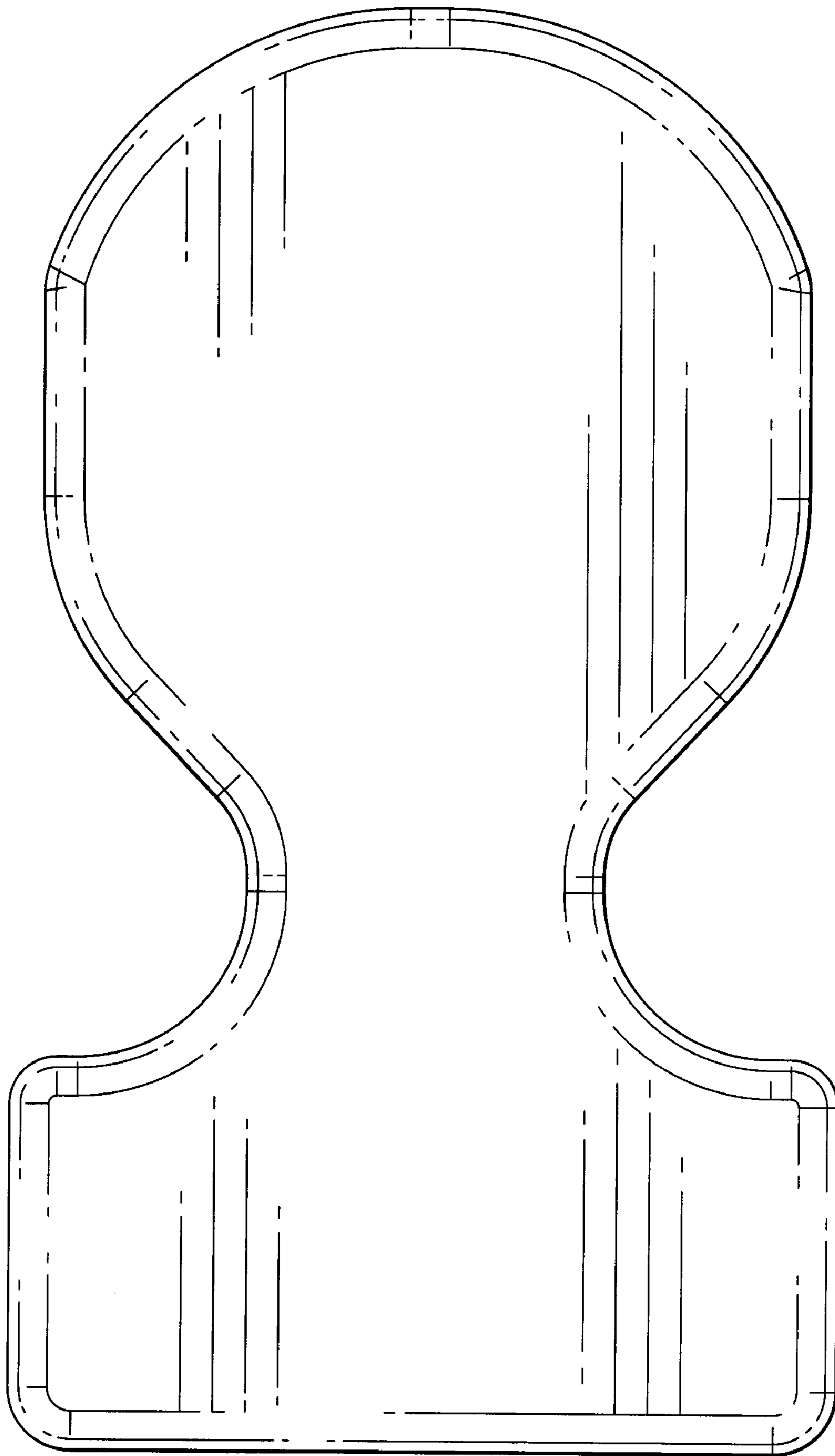


FIG. 4

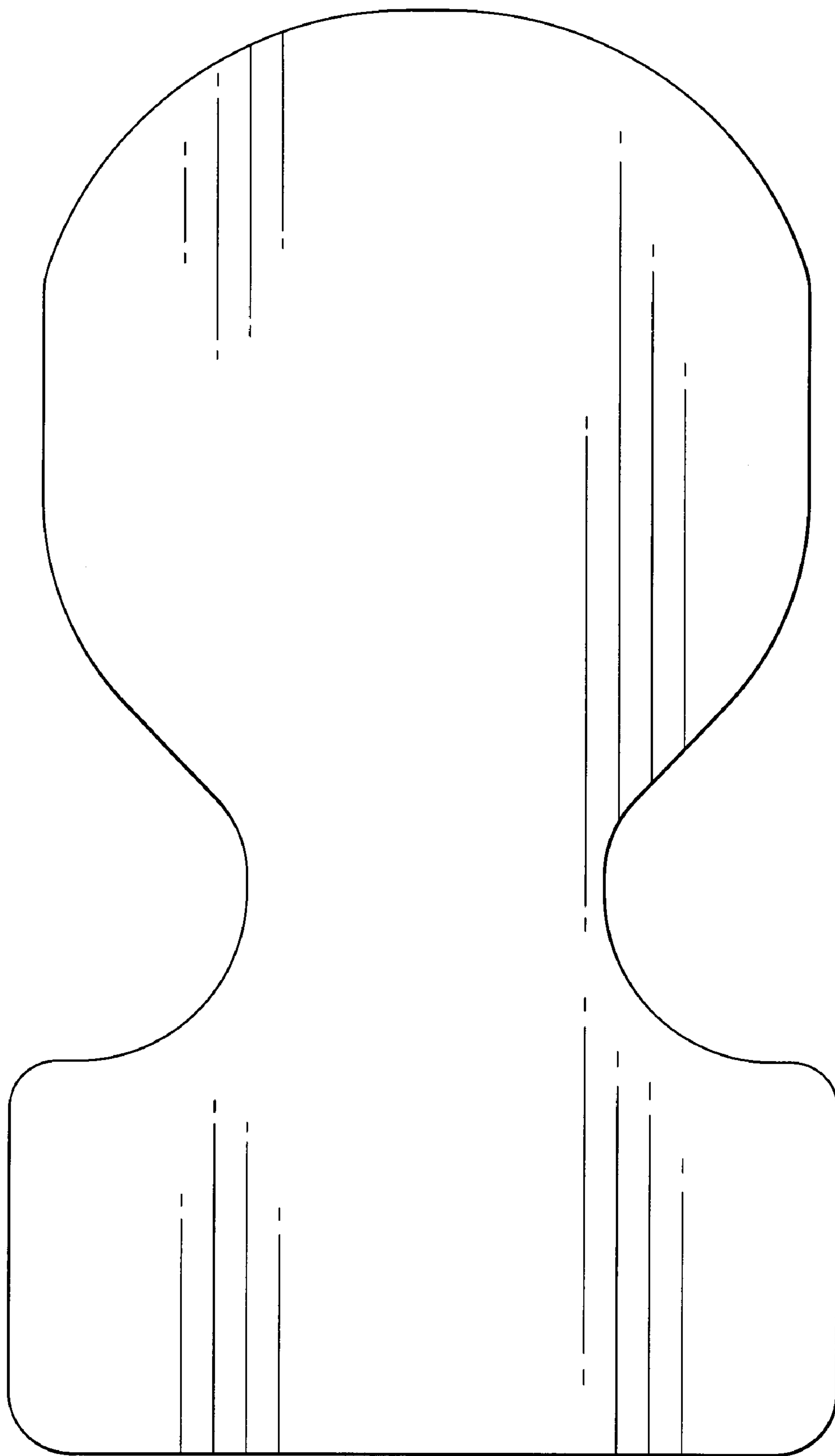


FIG. 5

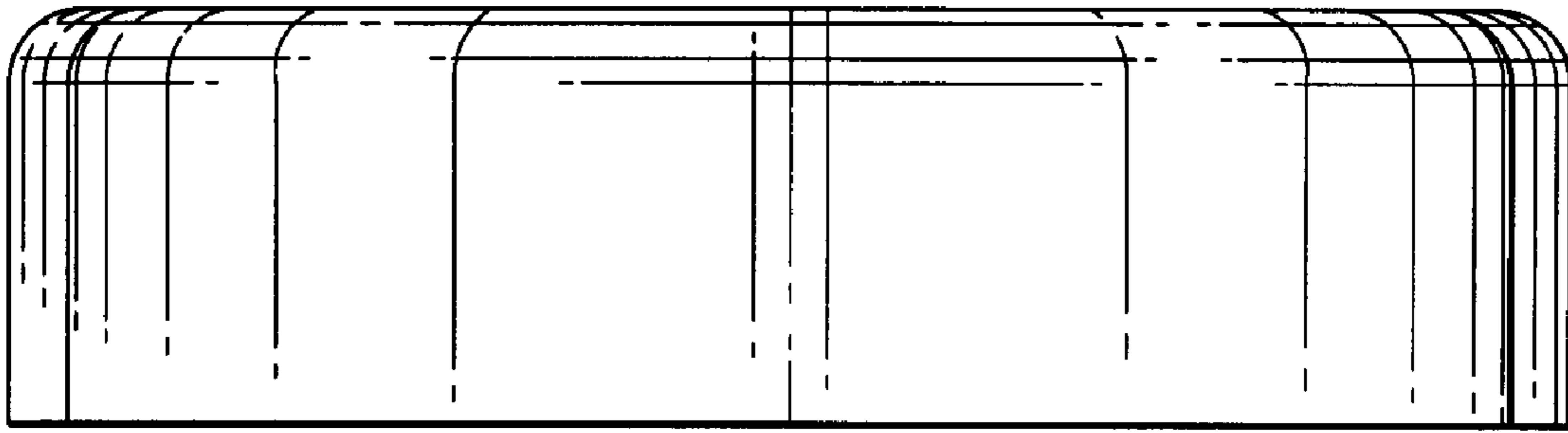


FIG. 6

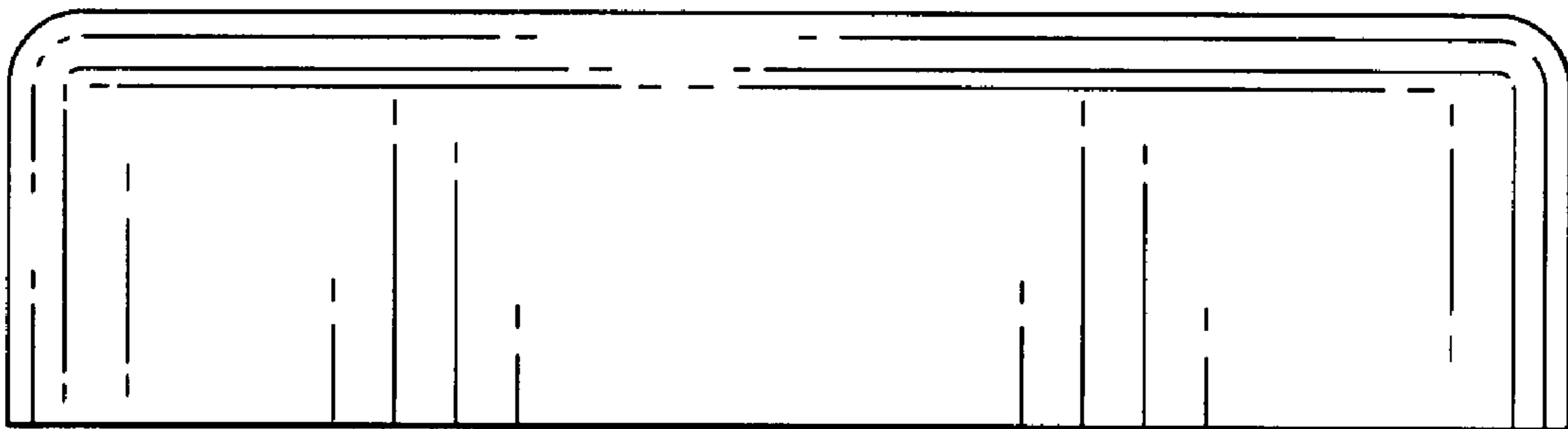


FIG. 7

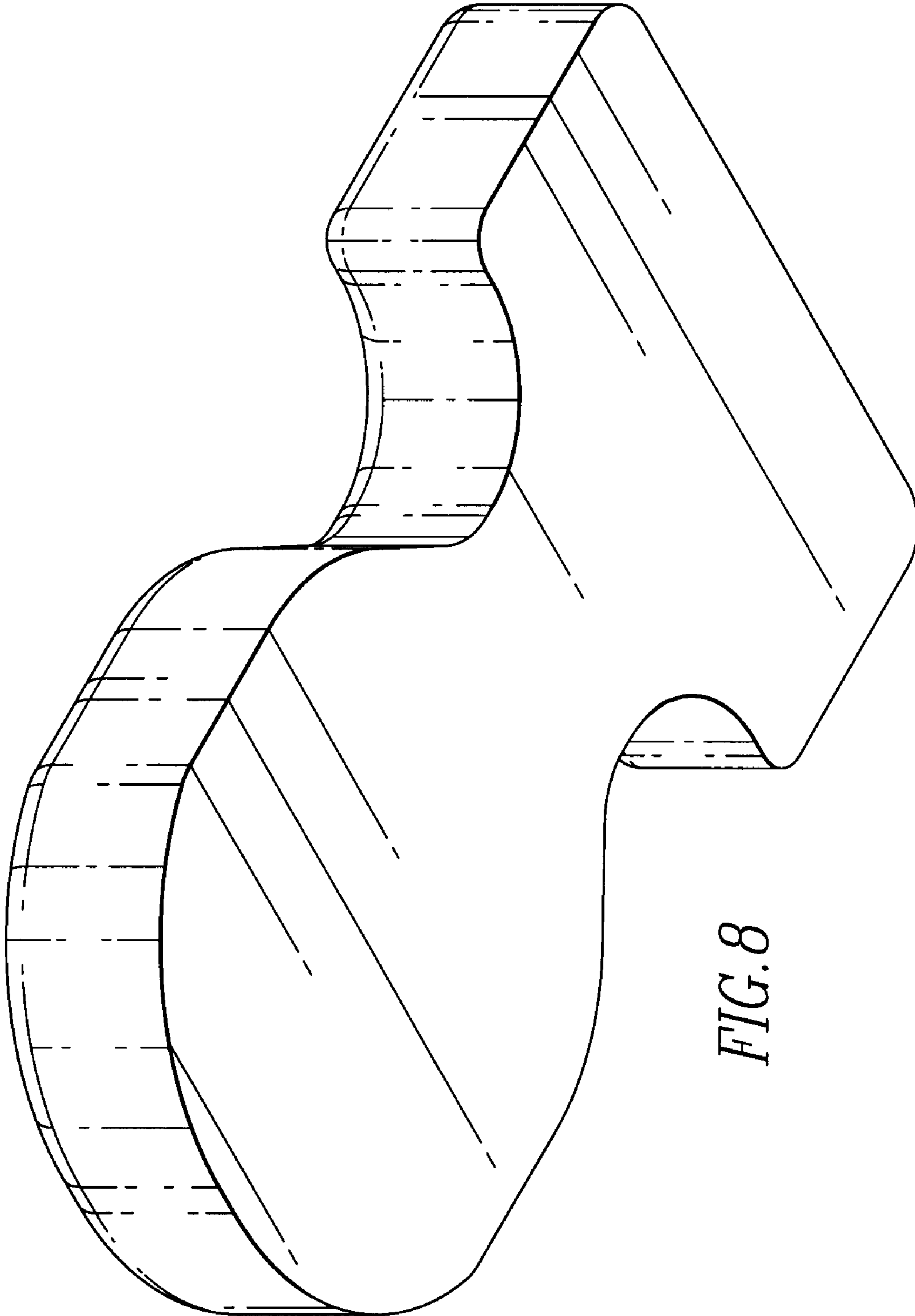


FIG. 8