



US00D566844S

(12) **United States Design Patent**
Inose

(10) **Patent No.:** **US D566,844 S**

(45) **Date of Patent:** **** Apr. 15, 2008**

(54) **BLOOD PRESSURE MEASURING APPARATUS**

(75) Inventor: **Noriaki Inose**, Kashiwa (JP)

(73) Assignee: **Japan Precision Instruments Inc.**,
Gunma (JP)

(**) Term: **14 Years**

(21) Appl. No.: **29/286,120**

(22) Filed: **Apr. 24, 2007**

(30) **Foreign Application Priority Data**

Oct. 31, 2006 (JP) 2006-029901

(51) **LOC (8) Cl.** **24-01**

(52) **U.S. Cl.** **D24/165; D24/166**

(58) **Field of Classification Search** D24/165-169,
D24/186; 600/480, 485, 500, 502, 503, 490-496,
600/499; 128/900; D3/201.3, 201.7

See application file for complete search history.

(56) **References Cited**

U.S. PATENT DOCUMENTS

D244,945 S *	7/1977	Cuccio	D24/166
D356,870 S *	3/1995	Ivers et al.	D24/164
D367,111 S *	2/1996	Peart et al.	D24/166
D437,414 S *	2/2001	Kern et al.	D24/165
D475,137 S *	5/2003	Manke et al.	D24/165
D482,790 S *	11/2003	Nakagawa	D24/165

* cited by examiner

Primary Examiner—Doris Clark
Assistant Examiner—Anhdao Doan

(74) *Attorney, Agent, or Firm*—Frishauf, Holtz, Goodman & Chick, P.C.

(57) **CLAIM**

The ornamental design for a blood pressure measuring apparatus, as shown and described.

DESCRIPTION

FIG. 1 is a front, right side, top perspective view of a blood pressure measuring apparatus showing my new design;

FIG. 2 is a front elevational view thereof;

FIG. 3 is a rear elevational view thereof;

FIG. 4 is a left side view thereof;

FIG. 5 is a right side view thereof;

FIG. 6 is a top plan view thereof;

FIG. 7 is a bottom plan view thereof;

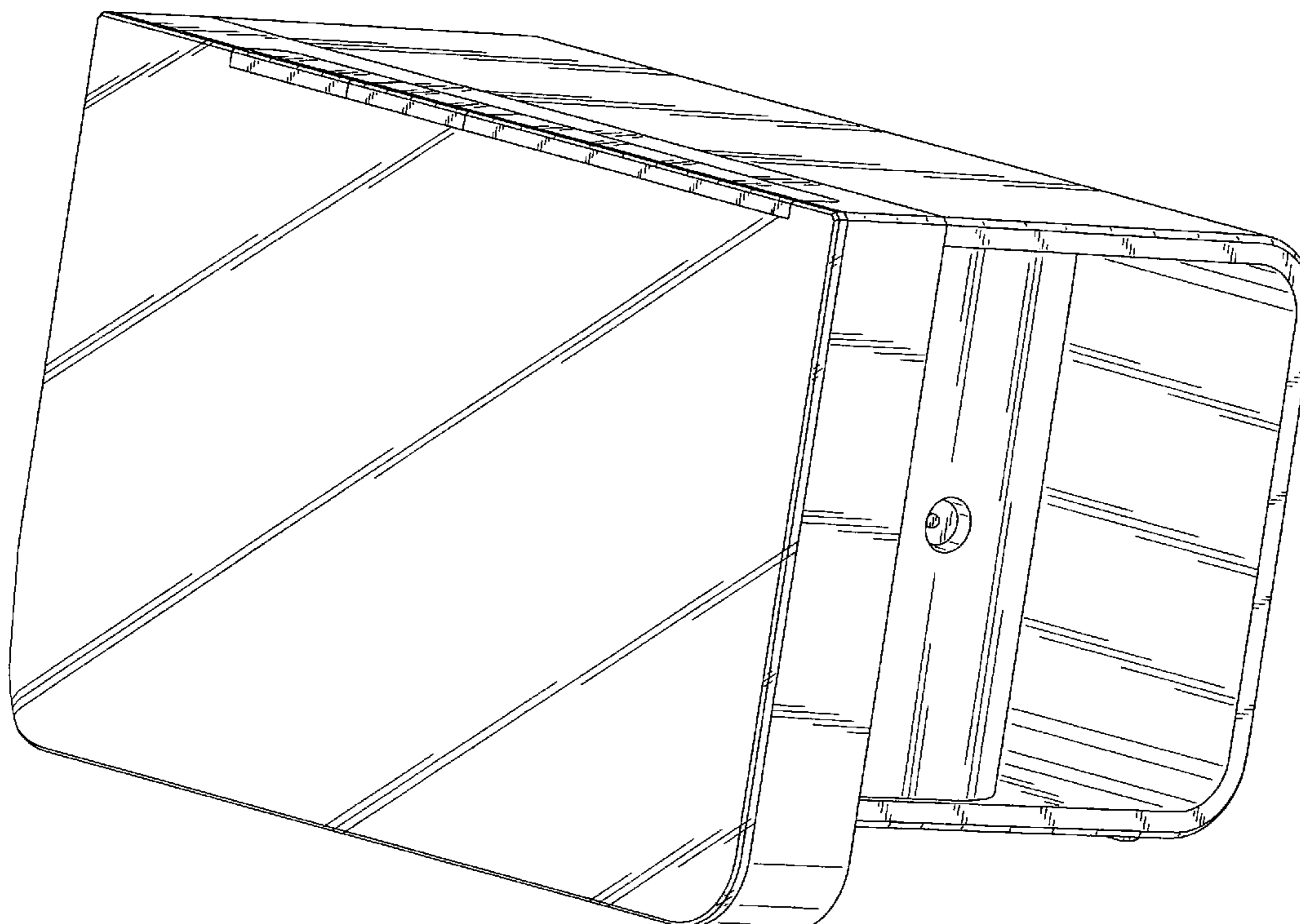
FIG. 8 is a rear, left side, bottom perspective view thereof;

FIG. 9 and is a front, right side and top perspective view thereof with the cuff stored; and,

FIG. 10 is a rear, left side and bottom perspective view thereof showing the state in which a rear side portion is slid and batteries are stored.

The broken line showing of the cuff and batteries in FIGS. 9 and 10 is included for the purpose of illustrating purposes only and forms no part of the claimed design.

1 Claim, 10 Drawing Sheets



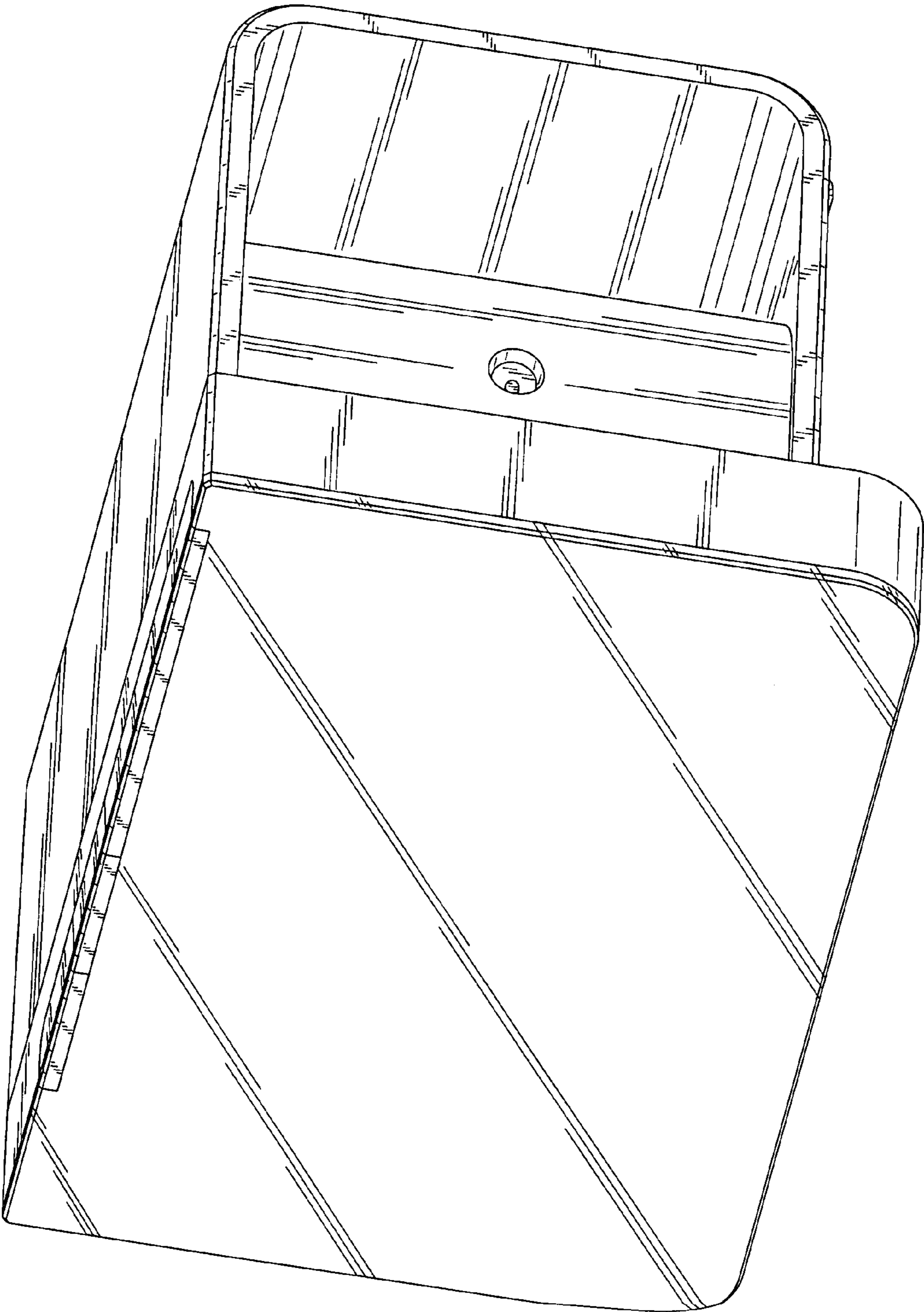


FIG. 1

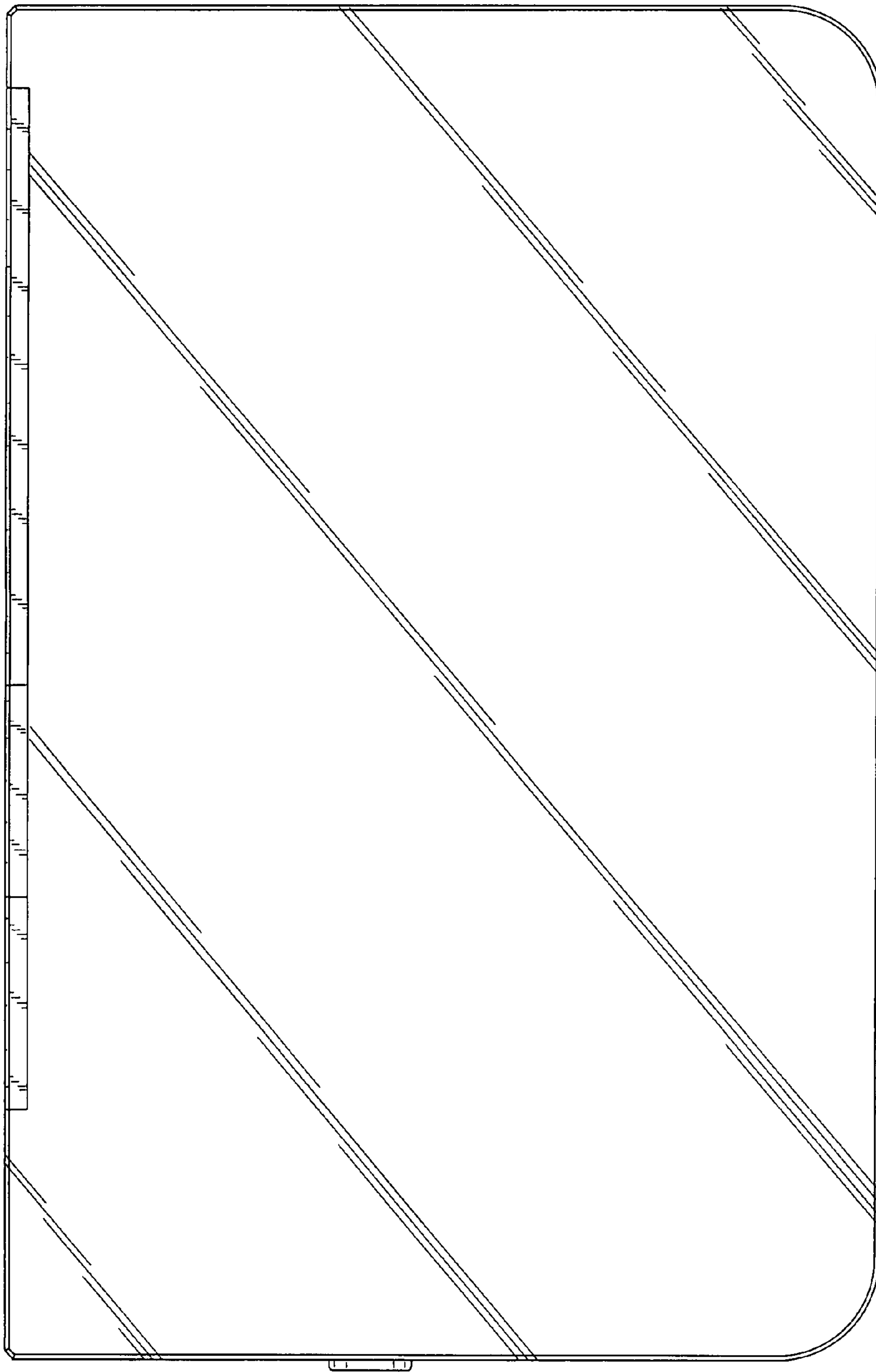


FIG. 2

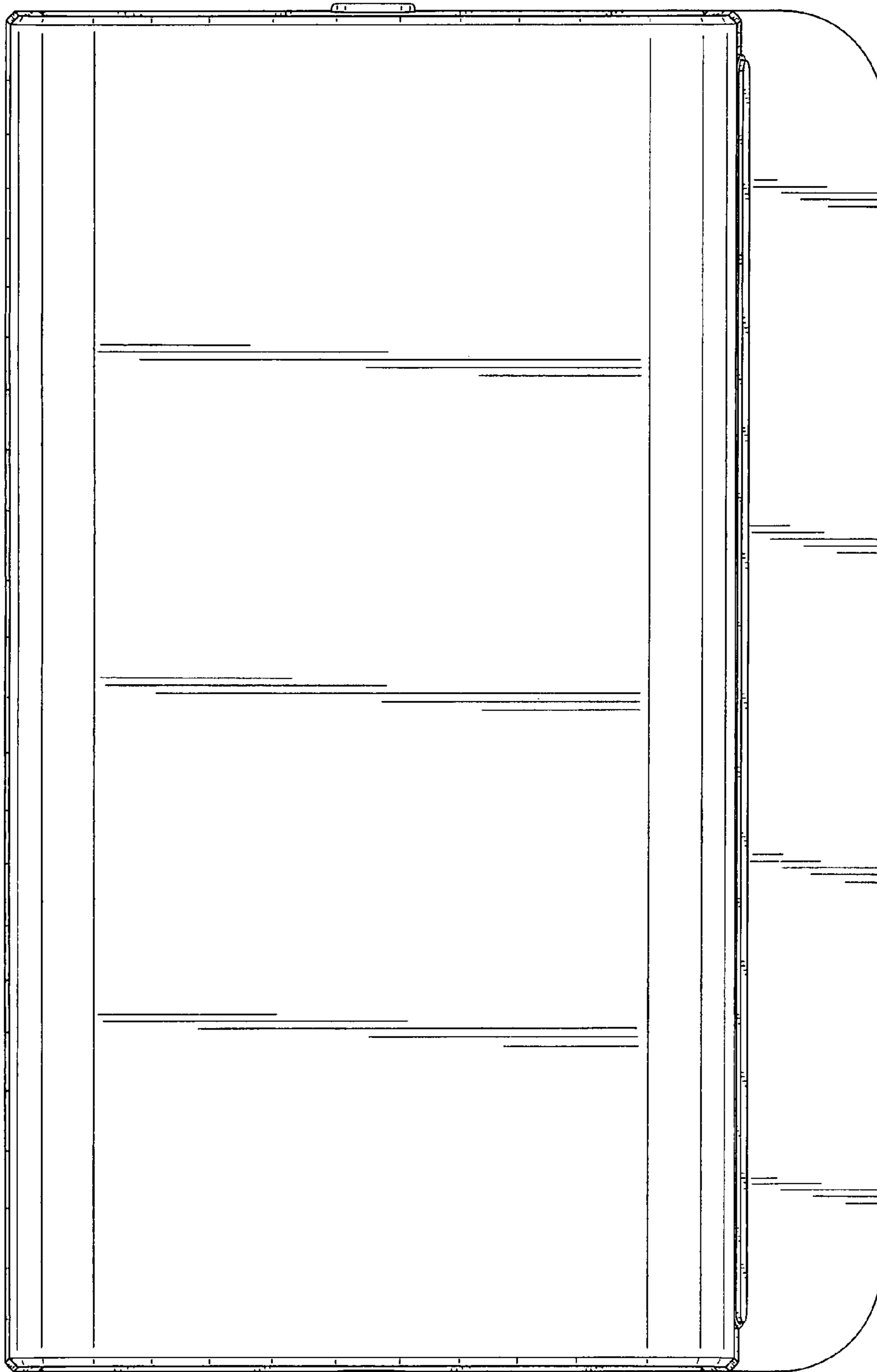


FIG. 3

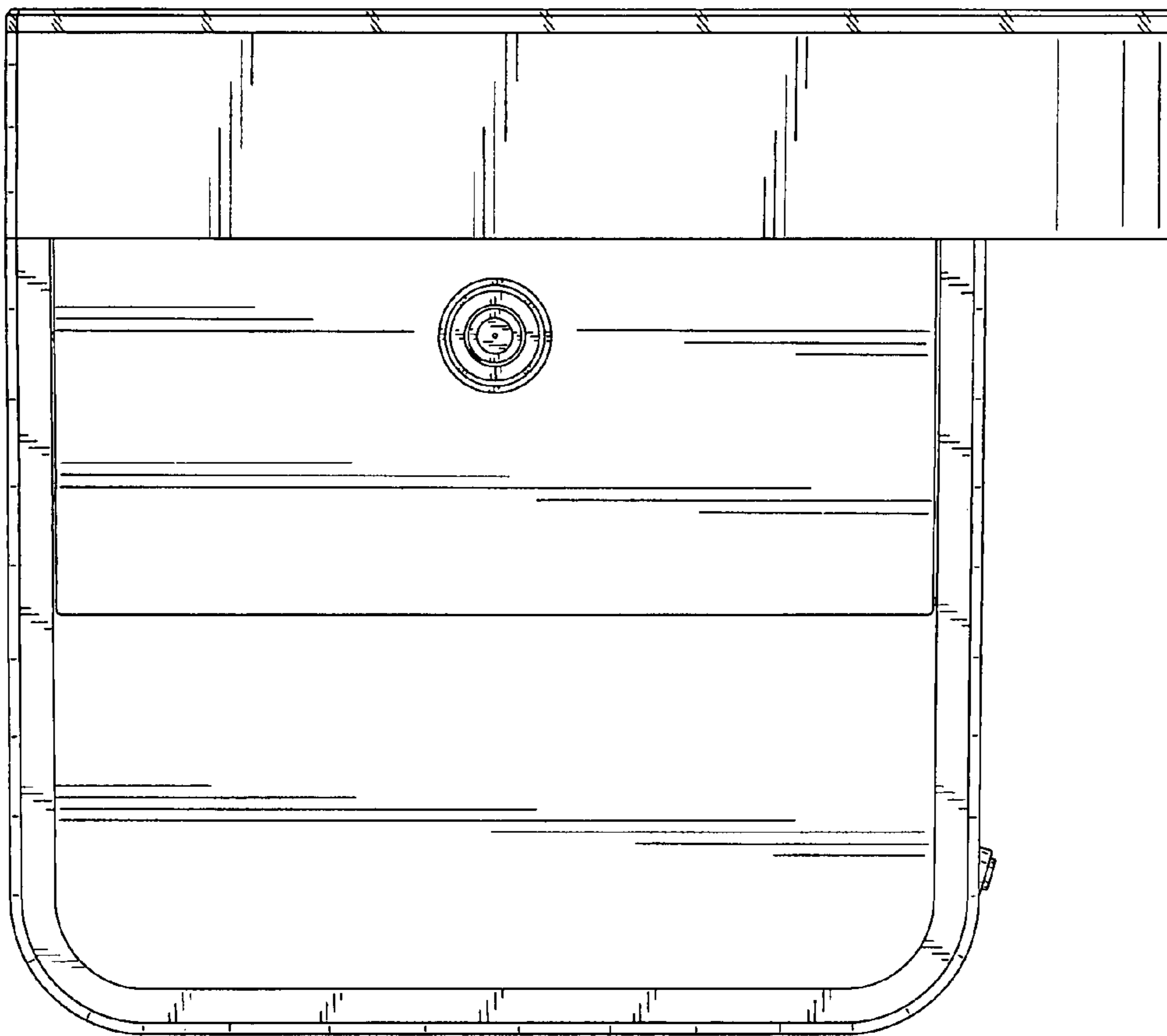


FIG. 4

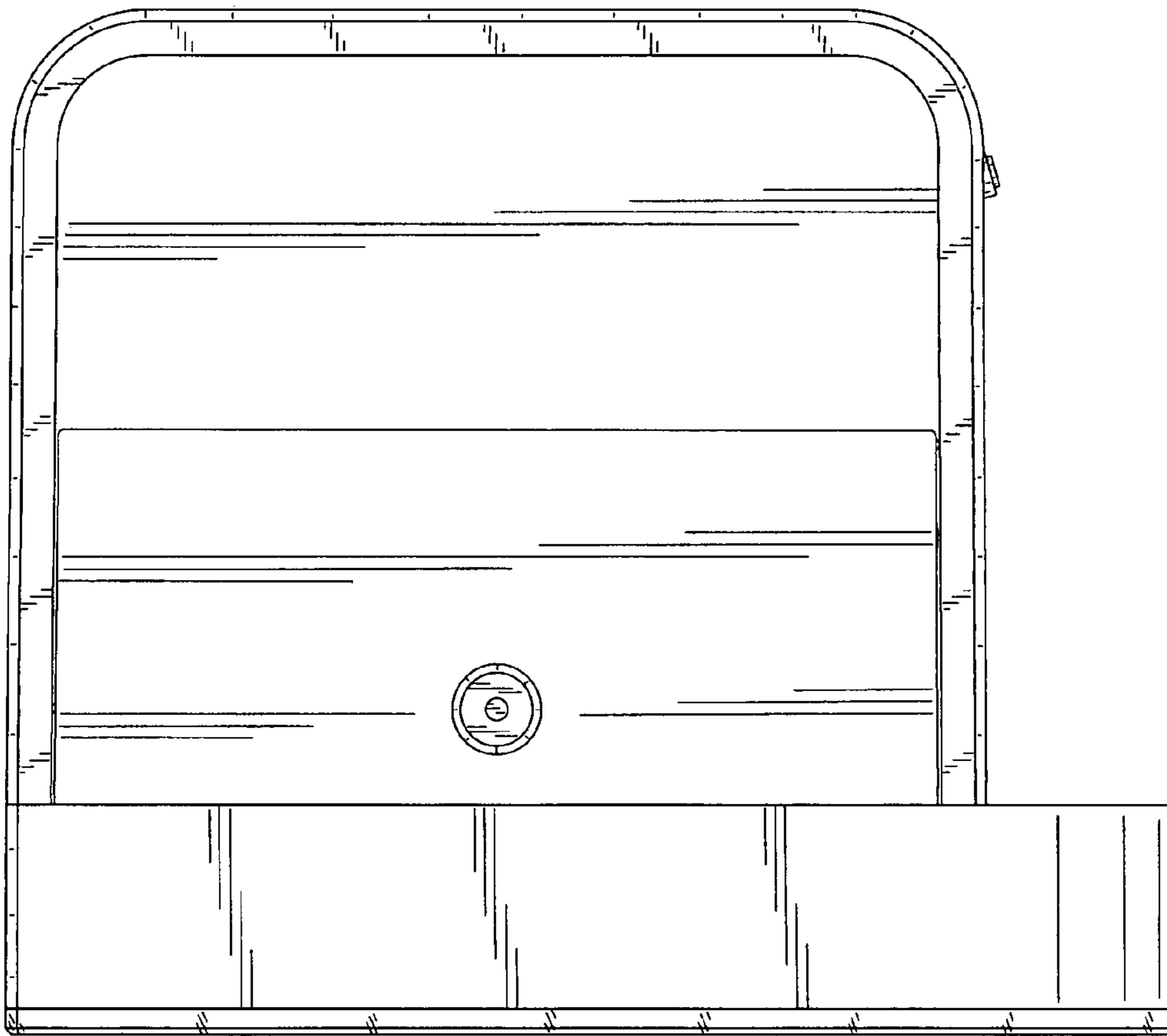


FIG. 5

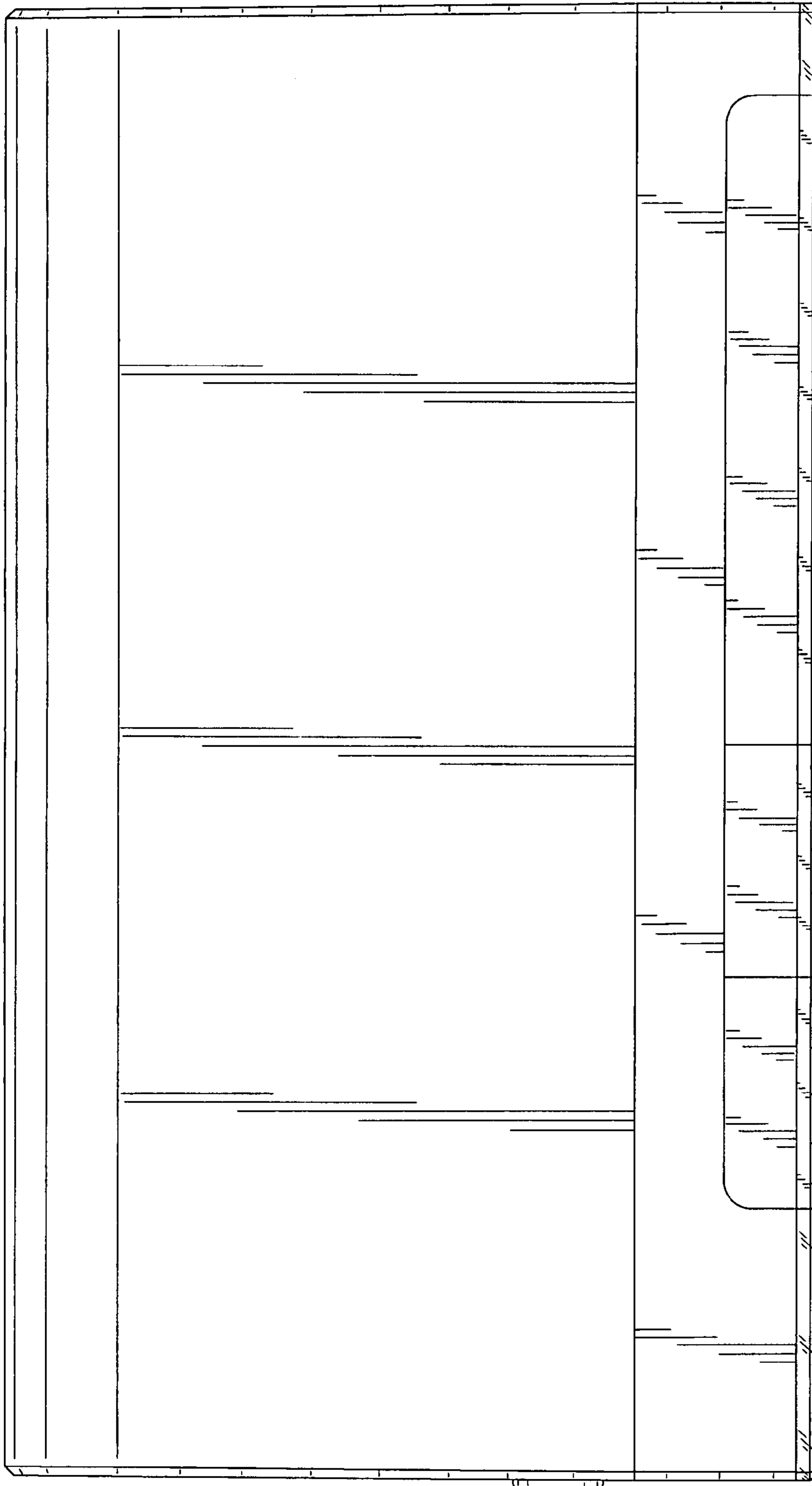


FIG. 6

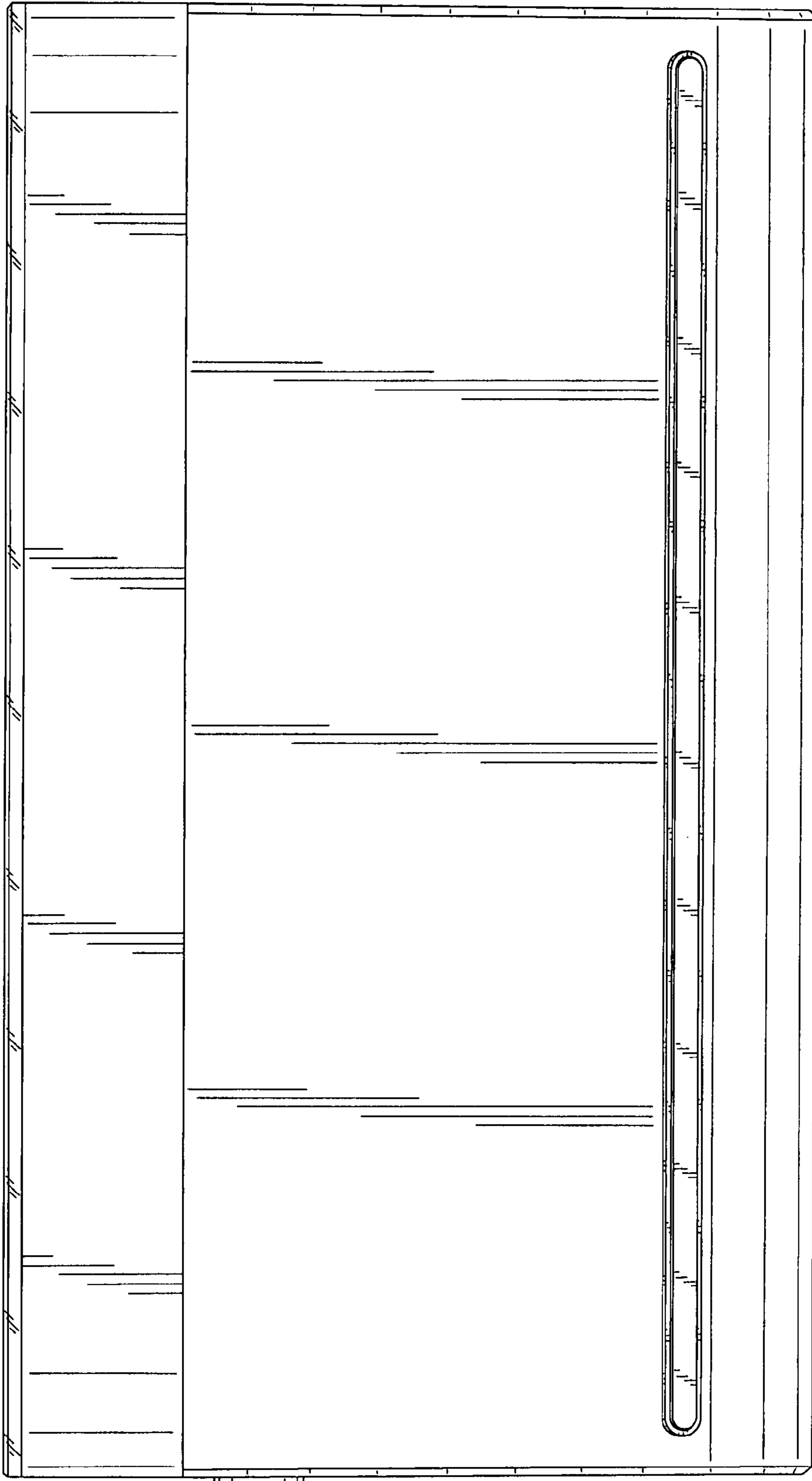


FIG. 7

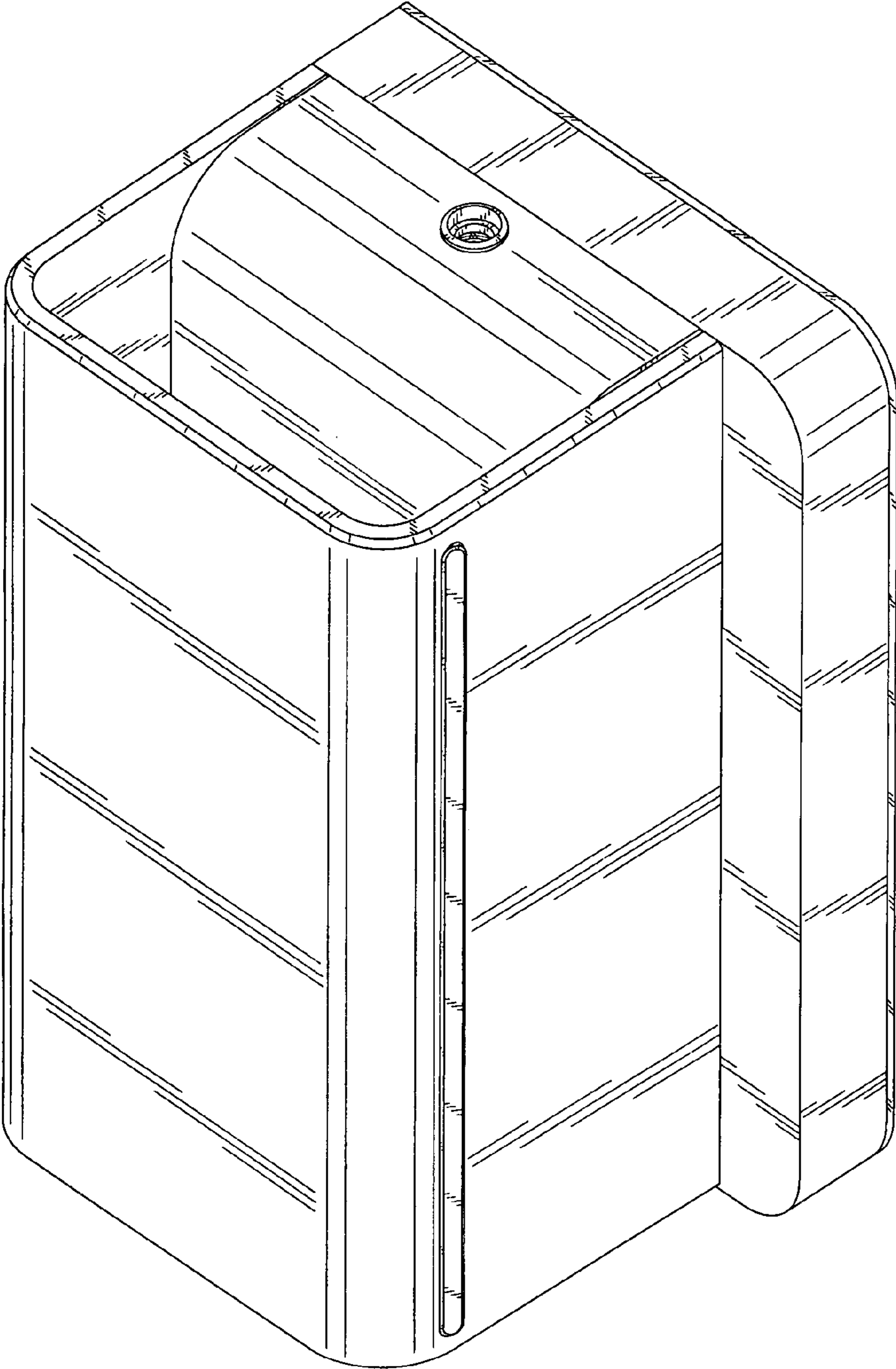


FIG. 8

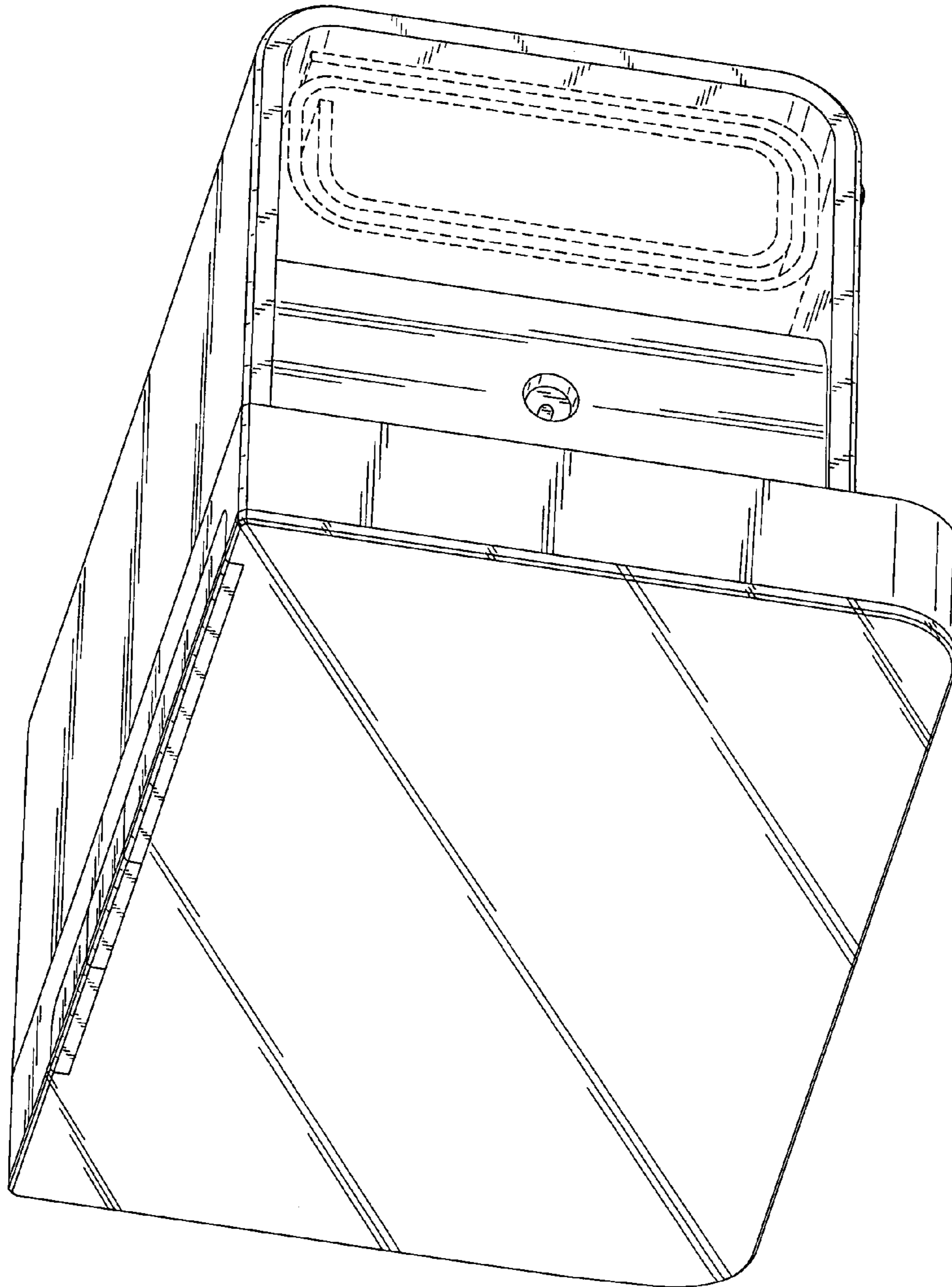


FIG. 9

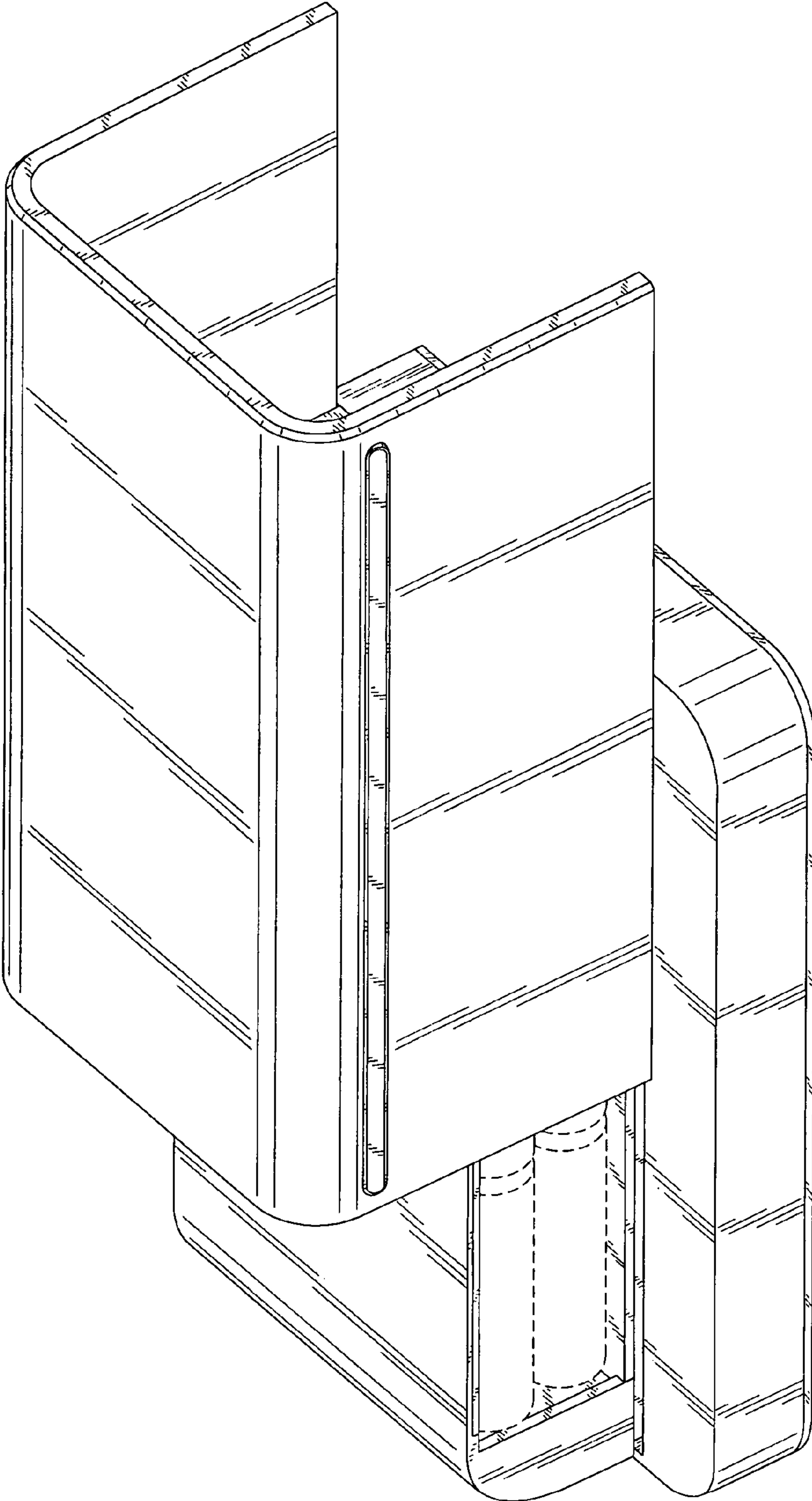


FIG. 10