

US00D566843S

(12) **United States Design Patent**
Ogiwara

(10) **Patent No.:** **US D566,843 S**

(45) **Date of Patent:** **** Apr. 15, 2008**

(54) **SCANNER FOR AN X-RAY TOMOGRAPHY
DIAGNOSIS APPARATUS**

D457,885 S 5/2002 Yanagihara et al.
D527,105 S 8/2006 Kitayama et al.
2001/0053203 A1* 12/2001 Ishii et al. 378/4

(75) Inventor: **Susumu Ogiwara**, Kumagaya (JP)

FOREIGN PATENT DOCUMENTS

(73) Assignees: **Kabushiki Kaisha Toshiba (JP);
Toshiba Medical Systems Corporation
(JP)**

JP 1054630 11/1999
JP D967869-2 4/2000
JP D1156808 10/2002
JP D1239414 5/2005

(**) Term: **14 Years**

* cited by examiner

(21) Appl. No.: **29/273,162**

Primary Examiner—Stella M. Reid

Assistant Examiner—Anhdao Doan

(22) Filed: **Feb. 28, 2007**

(74) *Attorney, Agent, or Firm*—Banner & Witcoff, Ltd.

(30) **Foreign Application Priority Data**

Dec. 6, 2006 (JP) 2006-033665

(57) **CLAIM**

(51) **LOC (8) Cl.** **24-01**

The ornamental design for a scanner for an X-ray tomography diagnosis apparatus, as shown and described.

(52) **U.S. Cl.** **D24/158**

(58) **Field of Classification Search** D24/158-161;
378/4, 19-21, 23, 25, 27, 146; 324/309,
324/318, 319

DESCRIPTION

See application file for complete search history.

FIG. 1 is a front, top and left side perspective view of a scanner for an X-ray tomography diagnosis apparatus, showing my new design;

FIG. 2 is a front elevational view thereof;

FIG. 3 is a rear elevational view thereof;

FIG. 4 is a top plan view thereof;

FIG. 5 is a bottom plan view thereof;

FIG. 6 is a left side elevational view thereof;

FIG. 7 is a right side elevational view thereof; and,

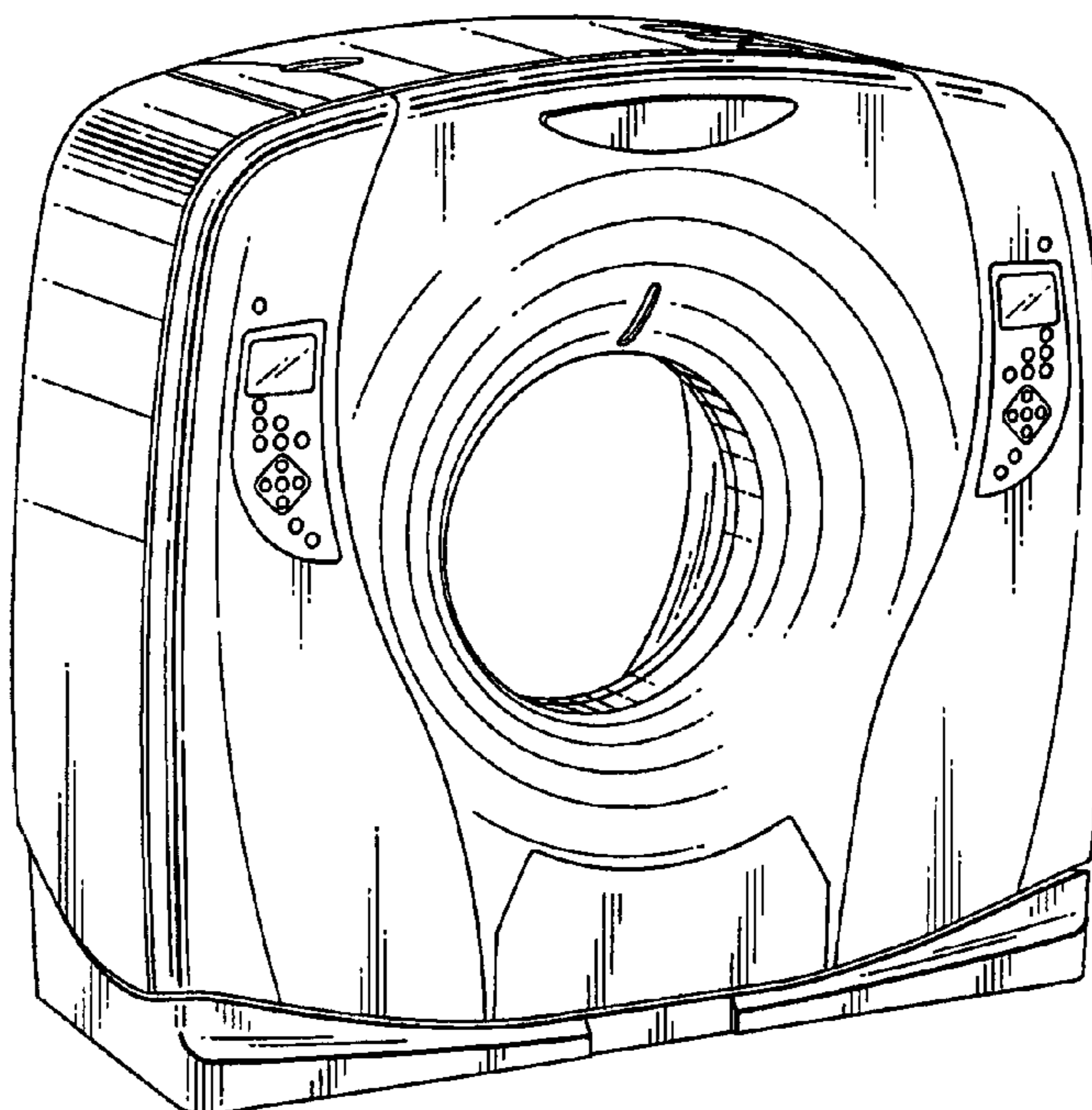
FIG. 8 is a perspective view thereof with the body part in a moved state.

(56) **References Cited**

U.S. PATENT DOCUMENTS

D283,729 S 5/1986 Ramsey
D306,577 S 3/1990 Matsutani et al.
D318,726 S * 7/1991 Takekoshi et al. D24/159
D323,711 S 2/1992 Takekoshi et al.
D347,063 S 5/1994 Ariyoshi et al.
D399,958 S * 10/1998 Hiramatsu D24/158
D417,734 S * 12/1999 Benders D24/158
D420,134 S * 2/2000 Kitayama D24/159
D432,655 S * 10/2000 Benders D24/158

1 Claim, 4 Drawing Sheets



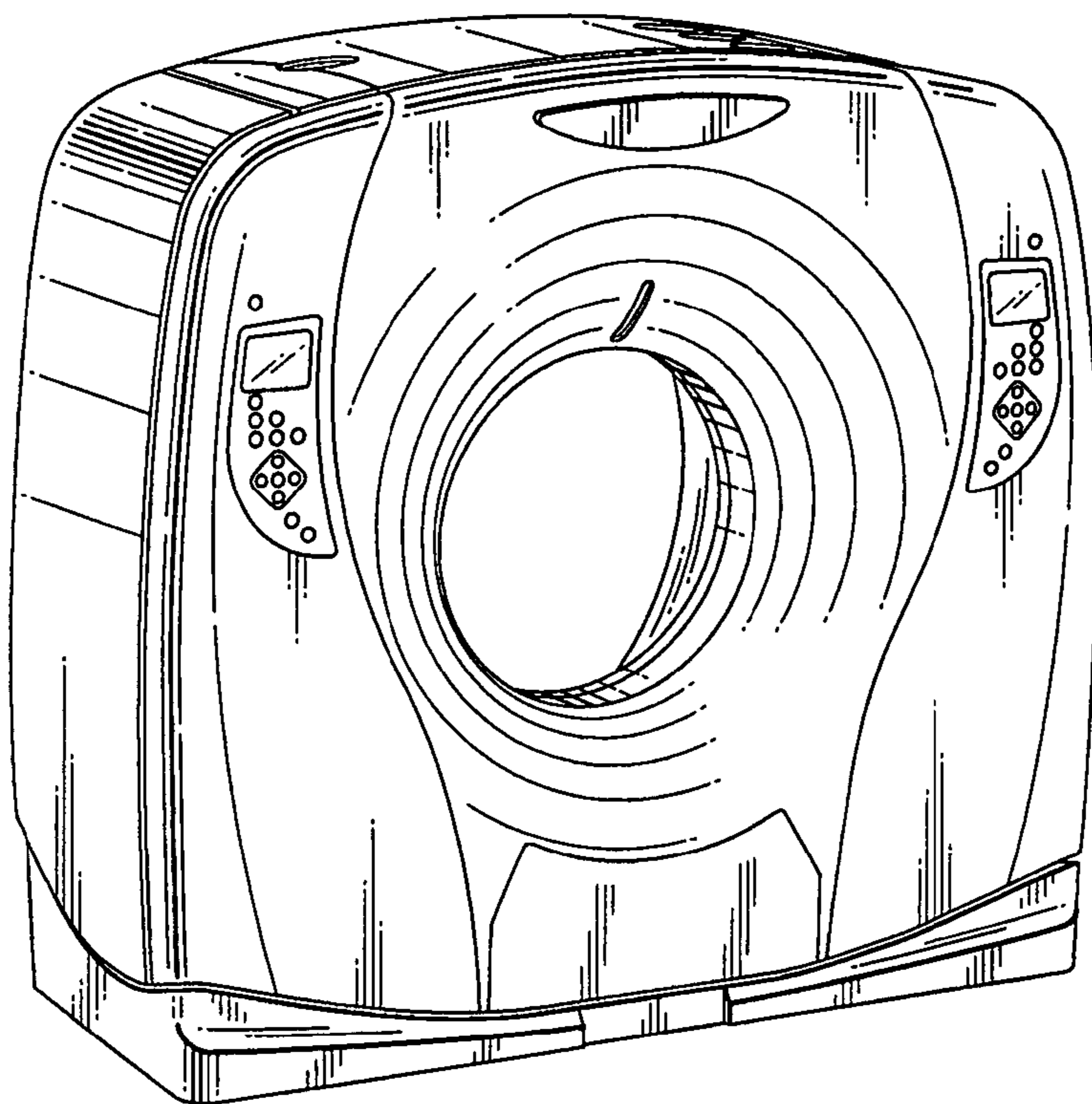


FIG. 1

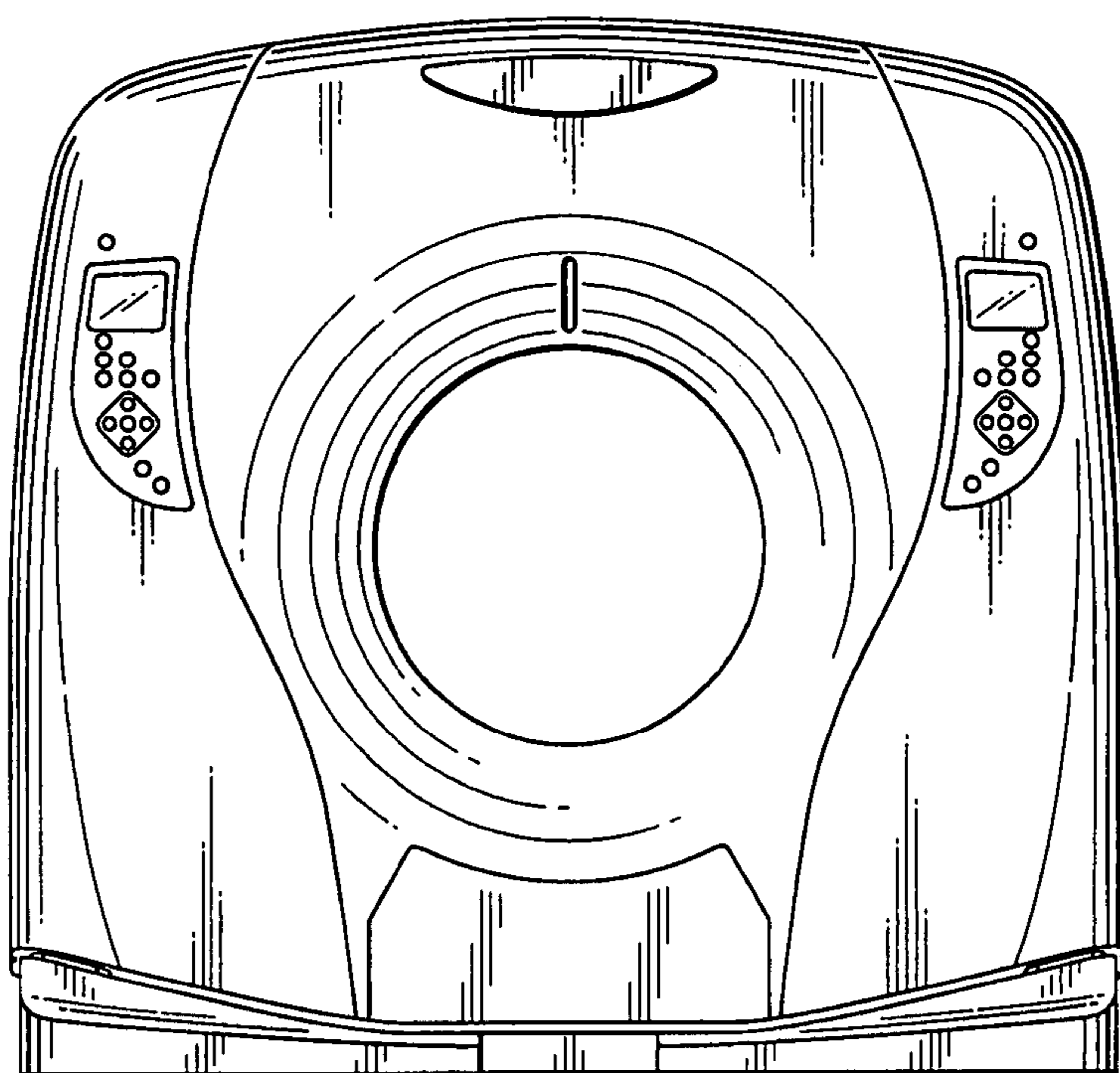


FIG. 2

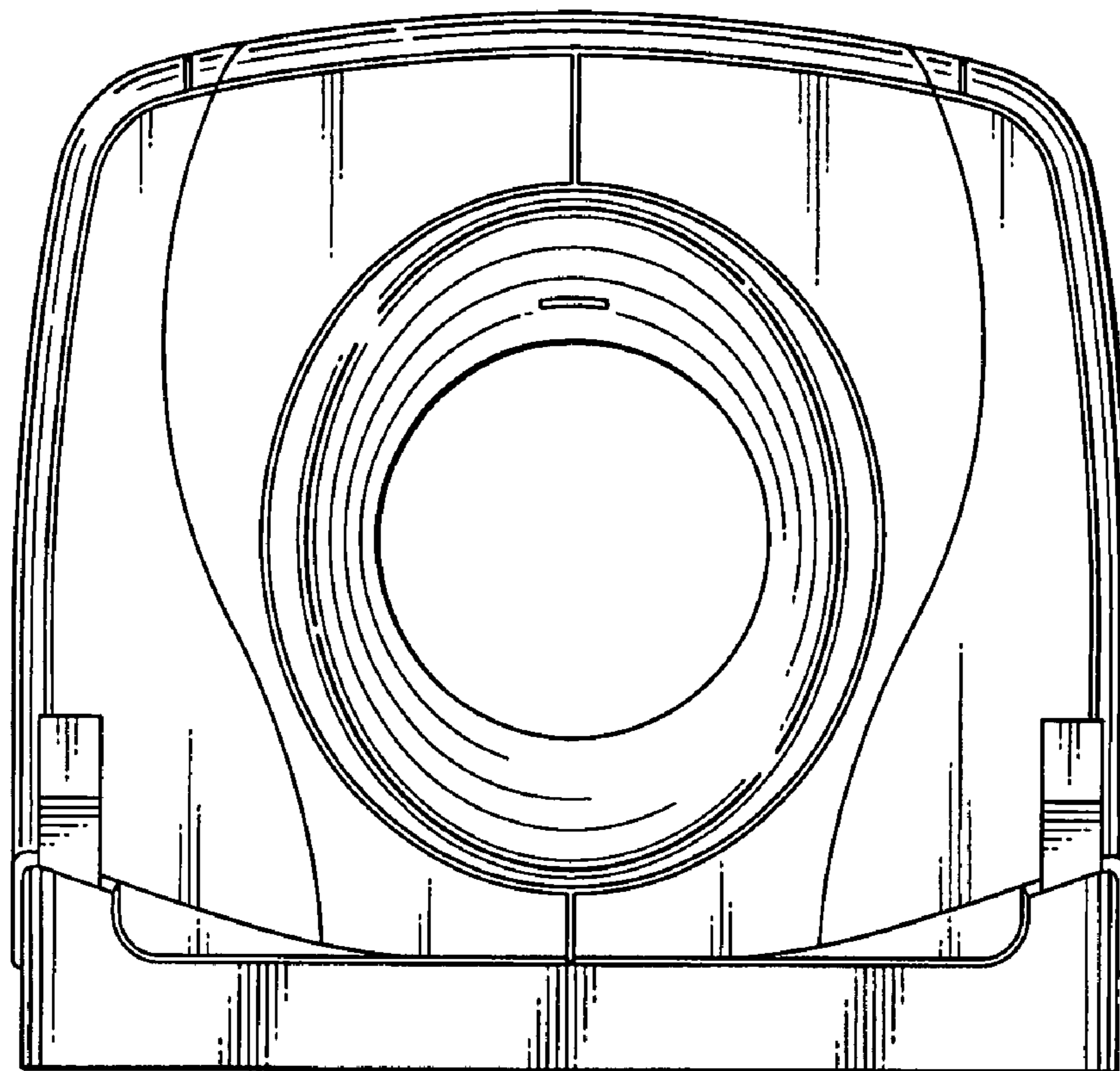


FIG. 3

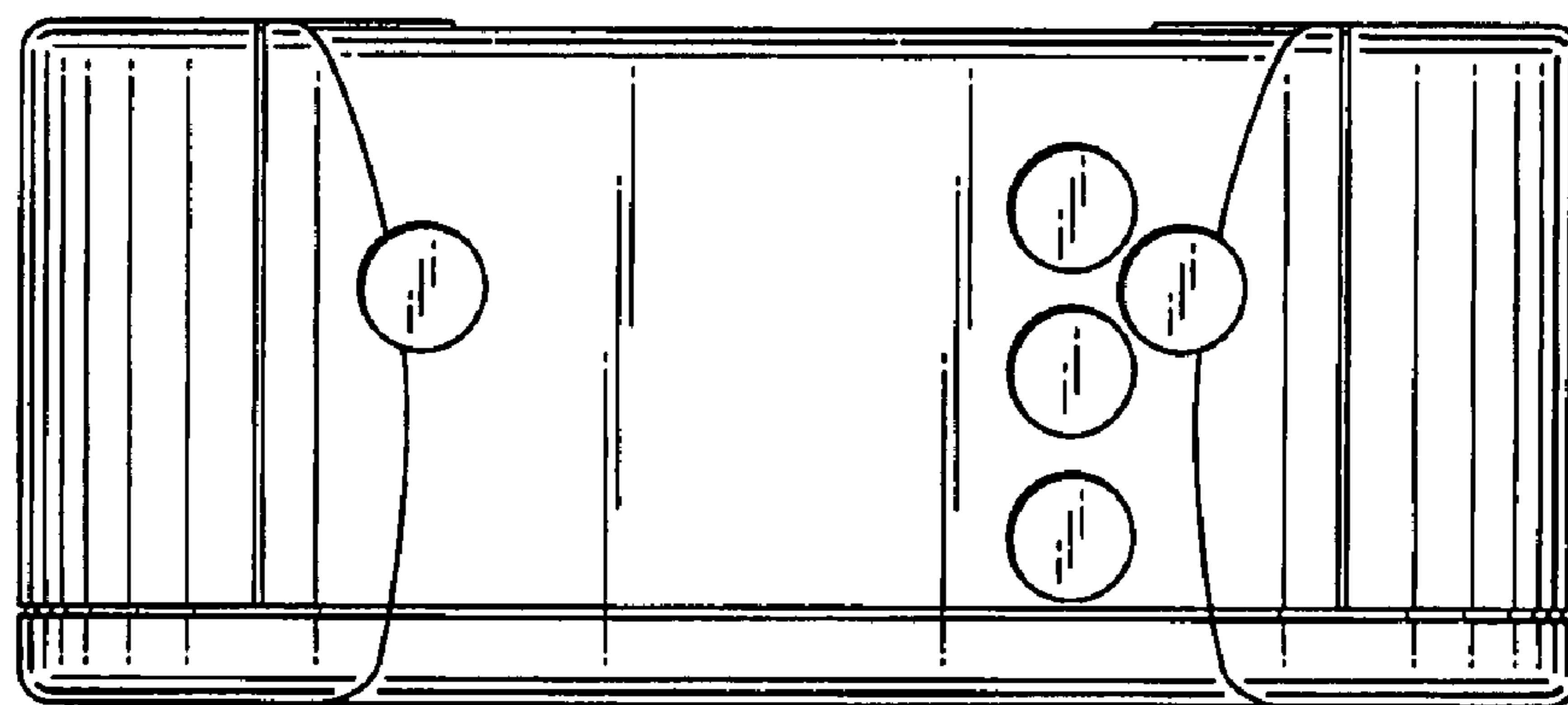


FIG. 4

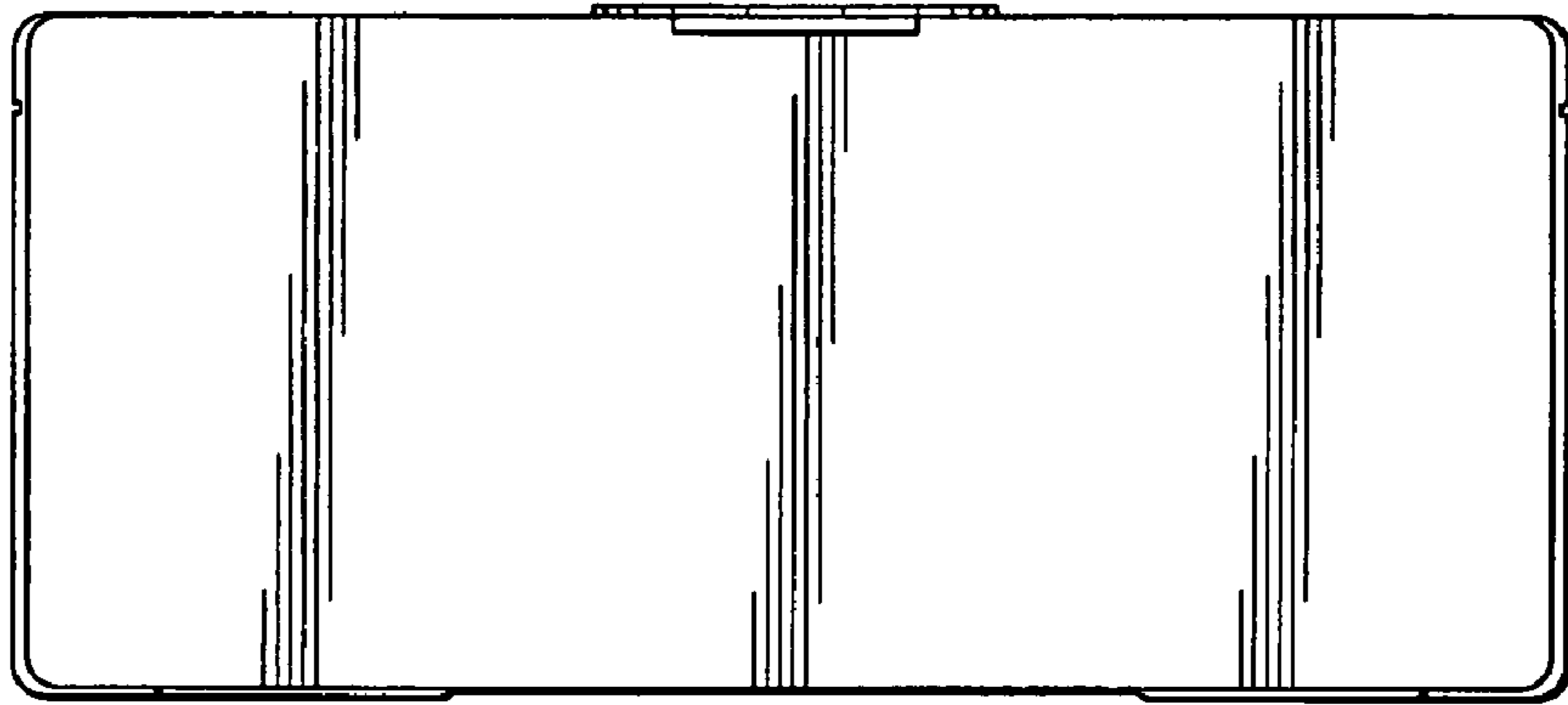


FIG. 5

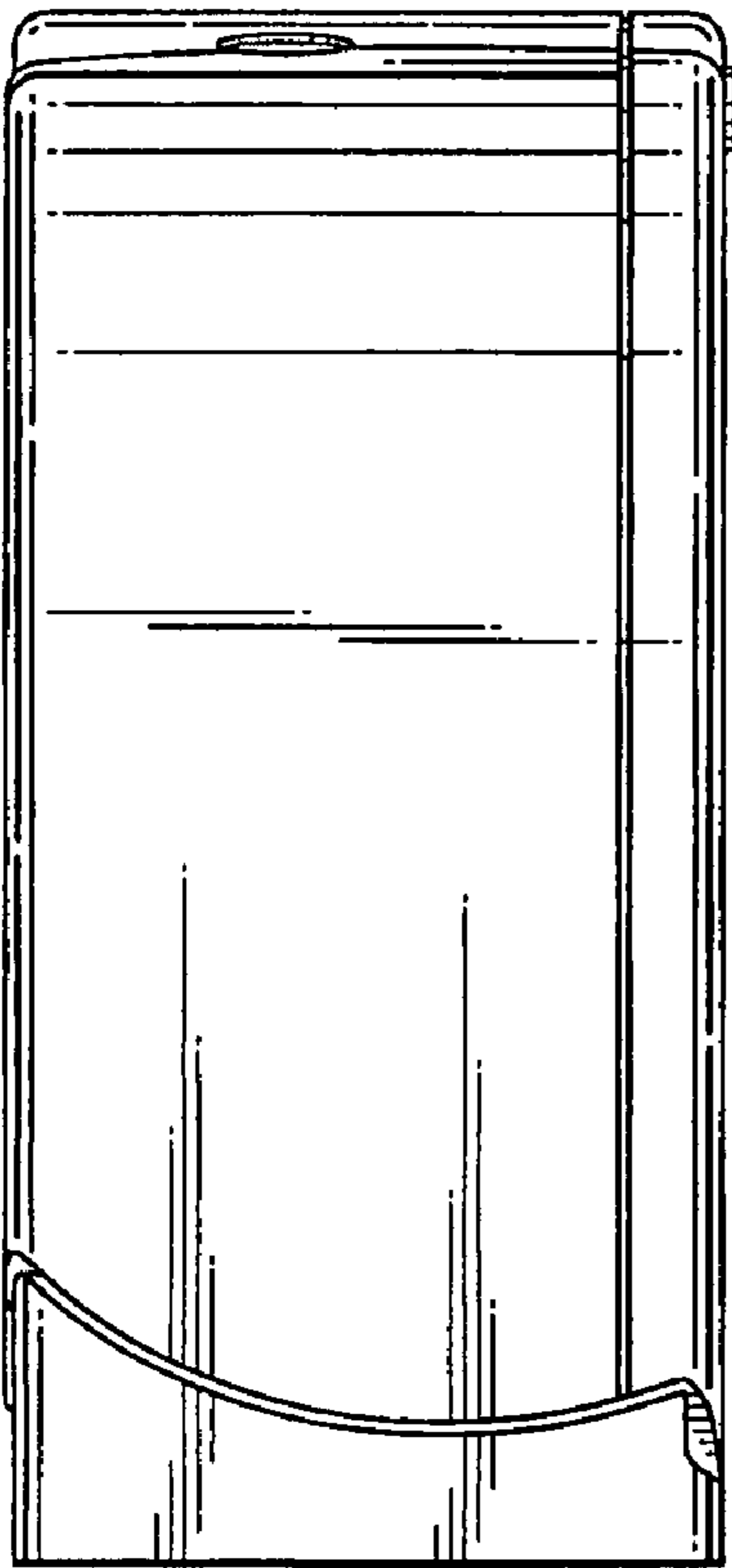


FIG. 6

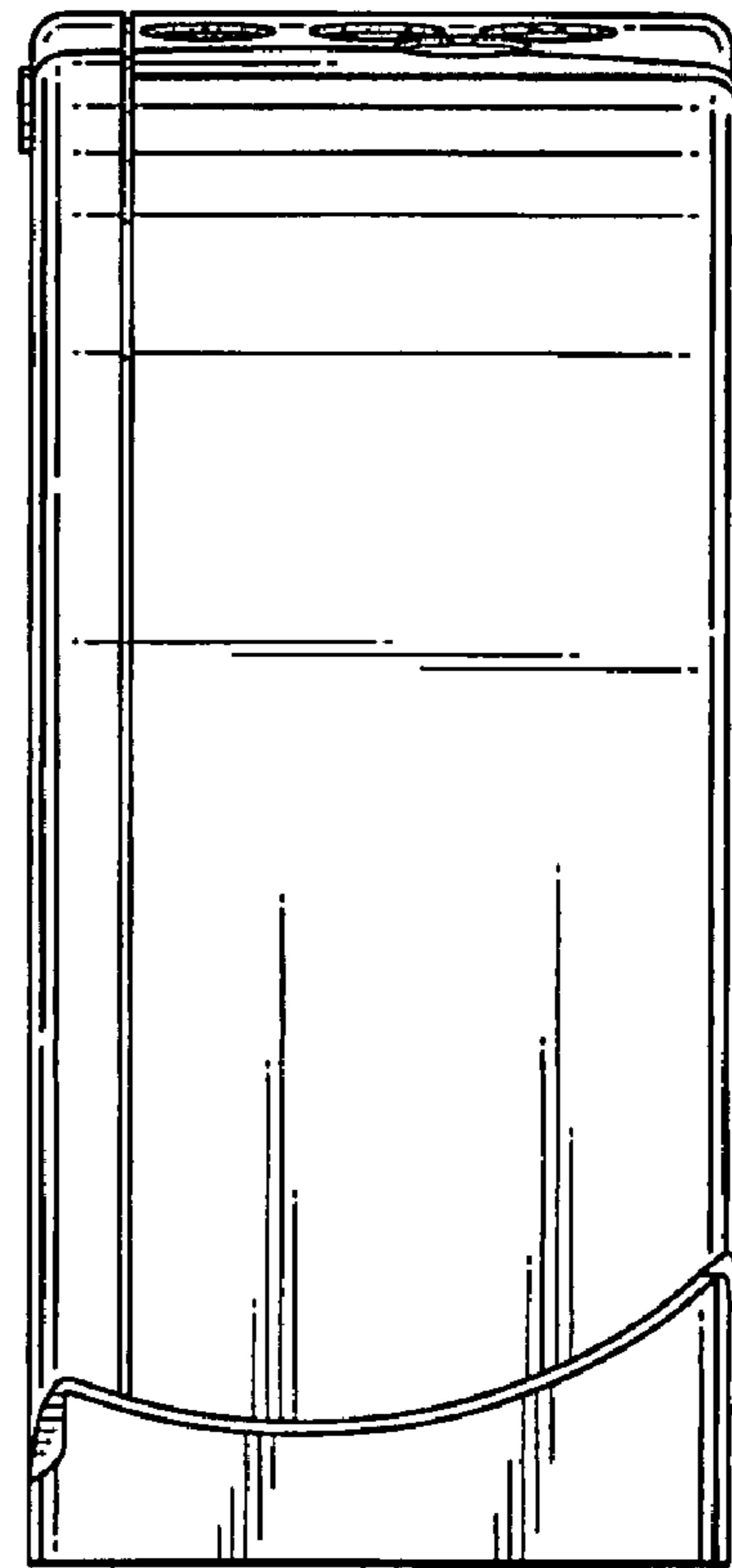


FIG. 7

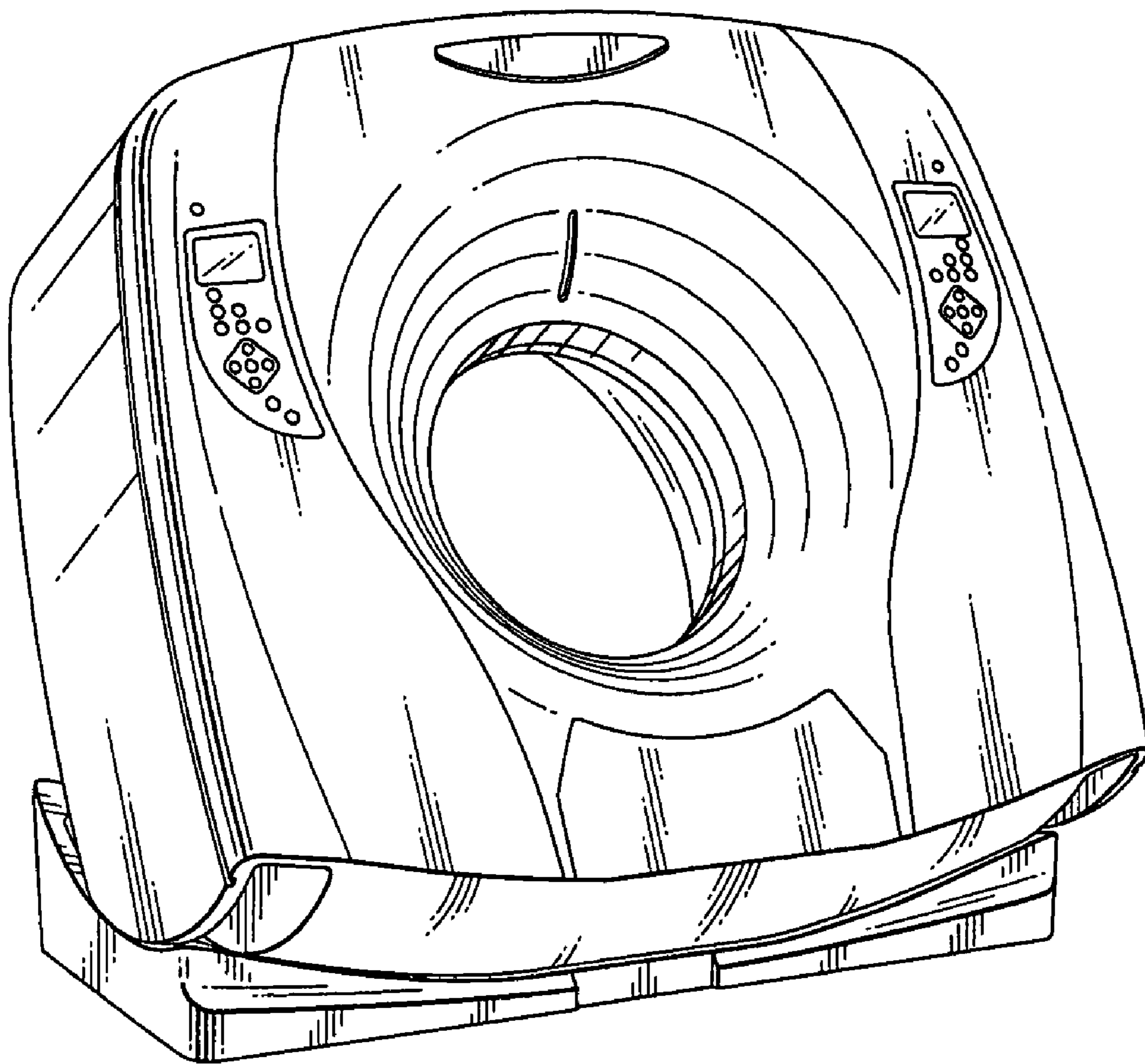


FIG.8