



US00D566842S

(12) **United States Design Patent**  
**Robie**

(10) **Patent No.:** **US D566,842 S**

(45) **Date of Patent:** **\*\* Apr. 15, 2008**

(54) **SPINAL IMPLANT**

(75) Inventor: **Bruce Robie**, Glen Rock, NJ (US)

(73) Assignee: **Zimmer Spine, Inc.**, Minneapolis, MN (US)

(\*\*) Term: **14 Years**

(21) Appl. No.: **29/277,225**

(22) Filed: **Feb. 19, 2007**

(51) **LOC (8) Cl.** ..... **24-03**

(52) **U.S. Cl.** ..... **D24/155**

(58) **Field of Classification Search** ..... D24/155,  
D24/156, 101; 606/61, 72, 74; 623/17.16,  
623/17.17, 11.1; D8/387; 433/173; D28/8.1

See application file for complete search history.

(56) **References Cited**

**U.S. PATENT DOCUMENTS**

D229,175	S *	11/1973	Libertone et al. ....	D24/101
D283,831	S *	5/1986	Maddock .....	D23/245
5,306,309	A *	4/1994	Wagner et al. ....	623/17.16
5,522,899	A	6/1996	Michelson	
5,534,028	A *	7/1996	Bao et al. ....	623/17.16
D377,527	S *	1/1997	Michelson .....	D24/155
5,776,199	A	7/1998	Michelson	
5,810,825	A *	9/1998	Huebner .....	606/74
5,888,222	A	3/1999	Coates et al.	
5,989,289	A	11/1999	Coates et al.	
6,096,080	A *	8/2000	Nicholson et al. ....	623/17.16
D433,750	S *	11/2000	Burrows .....	D24/101
6,371,988	B1	4/2002	Pafford et al.	
6,423,095	B1	7/2002	Van Hoeck et al.	
6,425,920	B1	7/2002	Hamada	
6,447,544	B1 *	9/2002	Michelson .....	623/17.16
6,468,311	B2 *	10/2002	Boyd et al. ....	623/17.16
6,520,993	B2	2/2003	James et al.	
D472,972	S *	4/2003	Anderson .....	D24/155
6,638,310	B2	10/2003	Lin et al.	
6,733,535	B2 *	5/2004	Michelson .....	623/17.16
6,746,484	B1 *	6/2004	Liu et al. ....	623/17.16
6,749,636	B2	6/2004	Michelson	
6,800,093	B2 *	10/2004	Nicholson et al. ....	623/17.16
D497,993	S *	11/2004	Dixon et al. ....	D24/155
7,048,765	B1	5/2006	Grooms et al.	
D553,742	S *	10/2007	Park .....	D24/155
2002/0106393	A1	8/2002	Bianchi et al.	
2003/0023306	A1	1/2003	Liu et al.	

2003/0125739	A1	7/2003	Bagga et al.
2004/0068320	A1	4/2004	Robie et al.
2004/0133279	A1	7/2004	Krueger et al.
2004/0199251	A1	10/2004	McCombe et al.
2004/0230306	A1	11/2004	Hoeck et al.
2004/0230308	A1	11/2004	Michelson
2005/0004672	A1	1/2005	Pafford et al.
2005/0119753	A1	6/2005	McGahan et al.
2005/0149188	A1	7/2005	Cook et al.
2005/0171606	A1	8/2005	Michelson
2005/0222682	A1	10/2005	Link et al.
2005/0240267	A1	10/2005	Randall et al.
2005/0251257	A1	11/2005	Mitchell et al.
2006/0100705	A1	5/2006	Puno et al.
2006/0190082	A1	8/2006	Keller et al.
2006/0247772	A1	11/2006	McKay

**FOREIGN PATENT DOCUMENTS**

WO	9909914	A1	3/1999
WO	0007528	A1	2/2000
WO	02091909	A2	11/2002

\* cited by examiner

*Primary Examiner*—Charles A. Rademaker  
(74) *Attorney, Agent, or Firm*—Wood, Herron & Evans, LLP

(57) **CLAIM**

The ornamental design for a spinal implant, as shown and described.

**DESCRIPTION**

FIG. 1 is a front perspective view of a spinal implant showing my new design;

FIG. 2 is a top plan view thereof;

FIG. 3 is a front elevational view thereof;

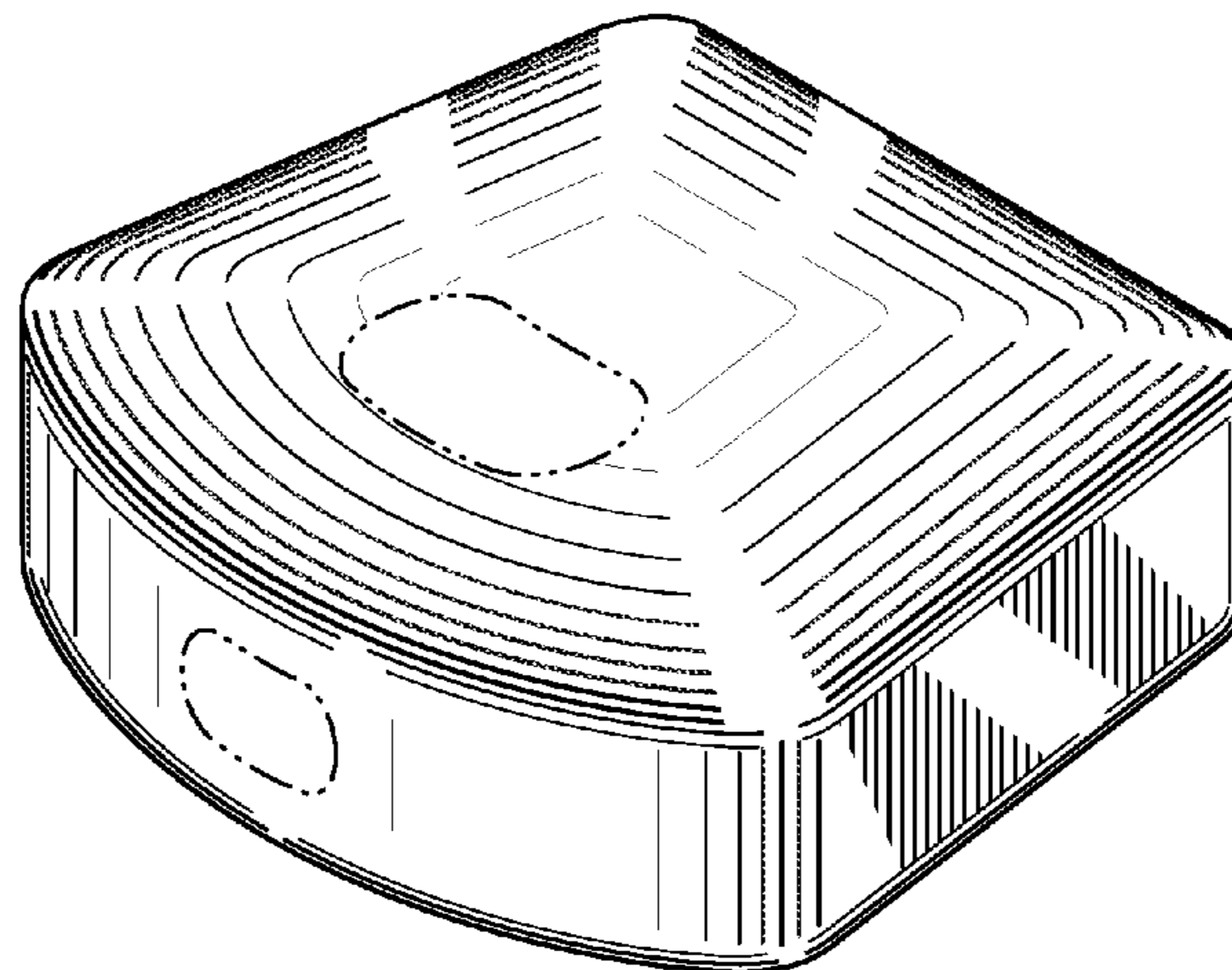
FIG. 4 is a right side view thereof, the left side view being a mirror image thereof;

FIG. 5 is a bottom elevational view thereof; and,

FIG. 6 is a rear elevational view thereof.

The broken lines shown in FIGS. 1, 2, 3 and 5 define the bounds of the claimed design that form no part thereof.

**1 Claim, 1 Drawing Sheet**



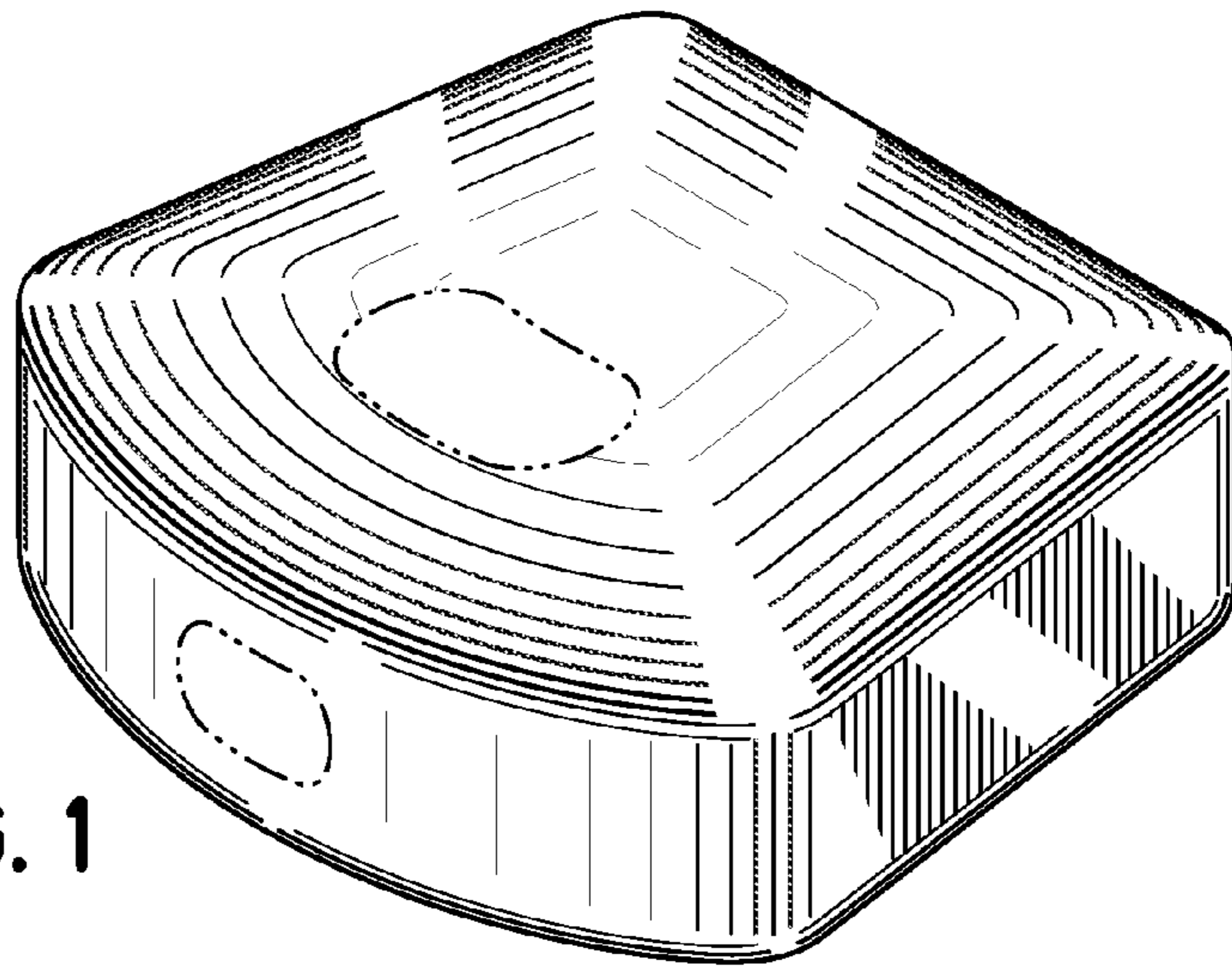


FIG. 1

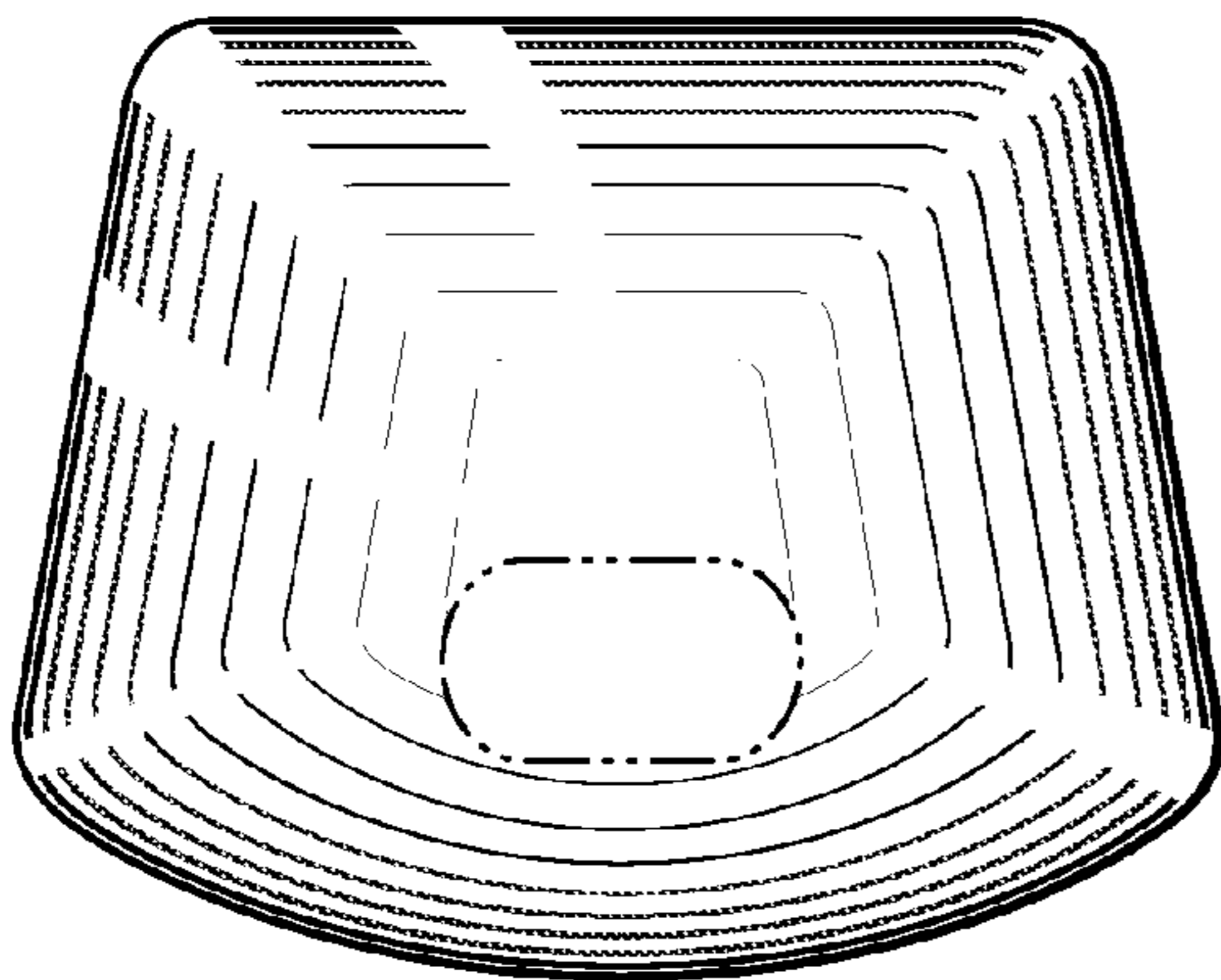


FIG. 2

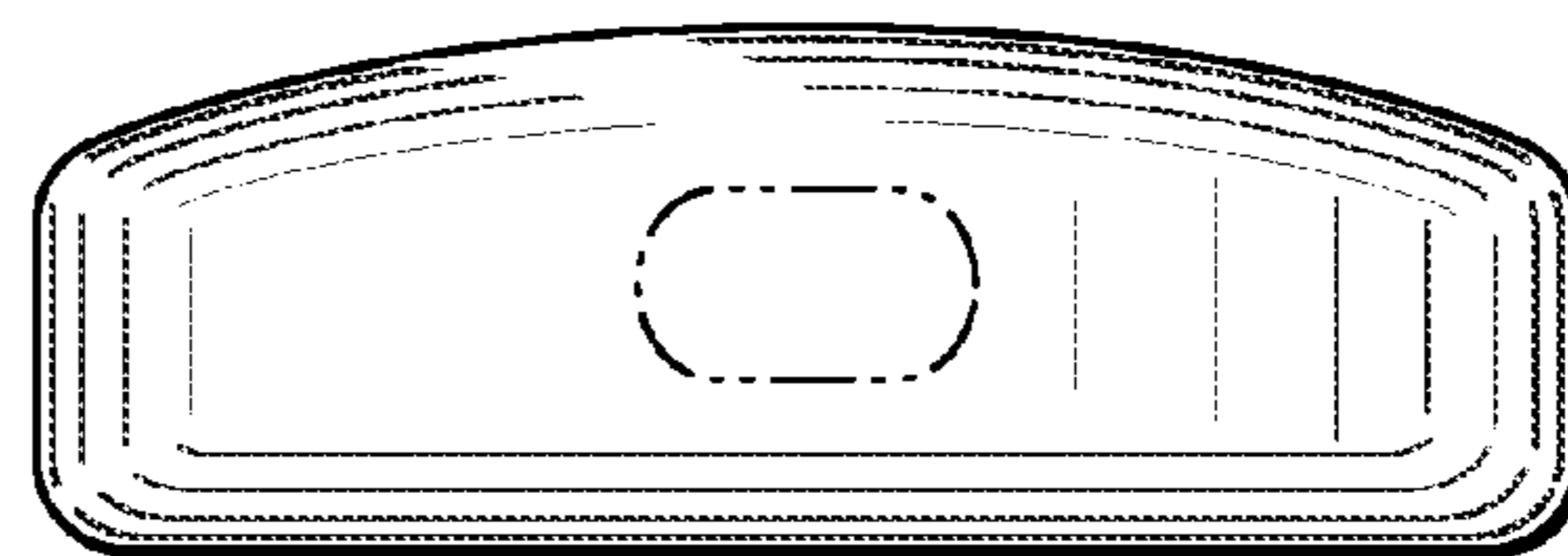


FIG. 3

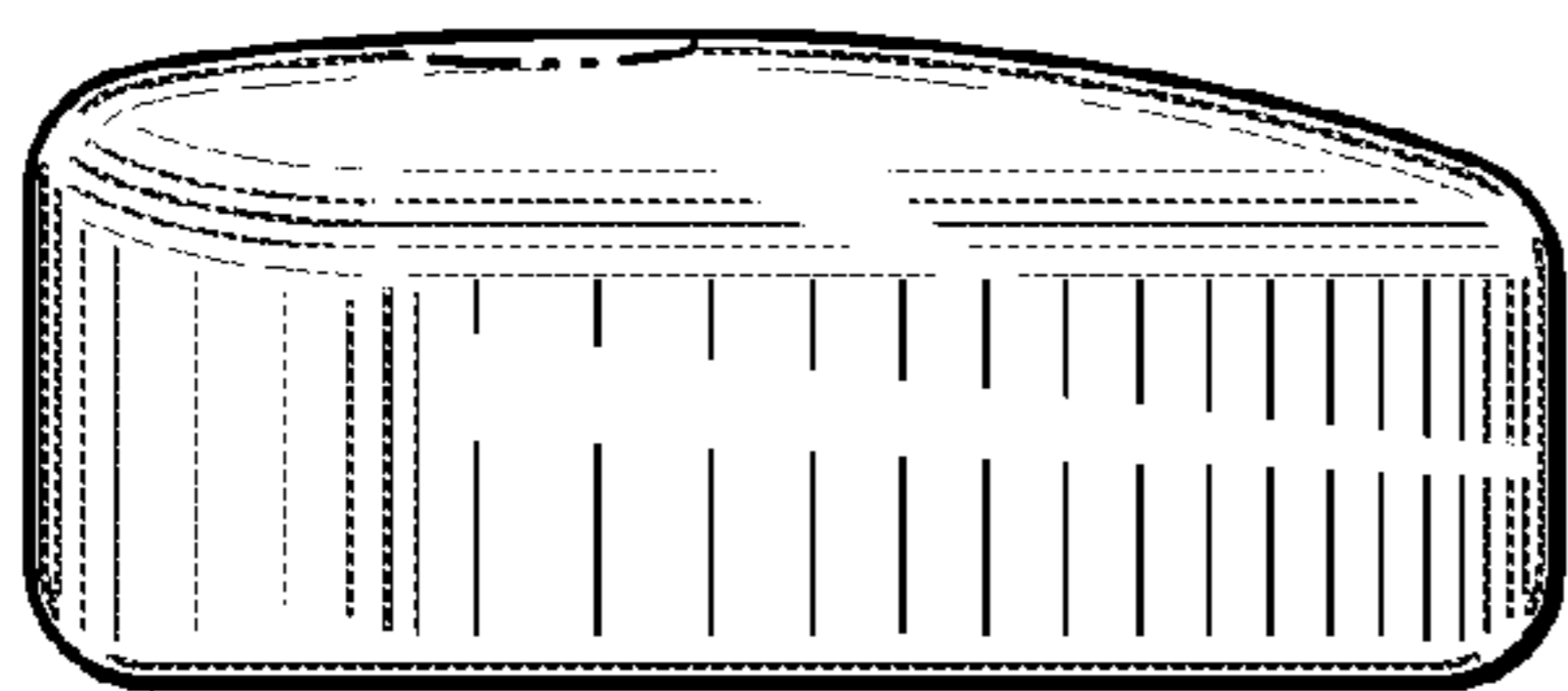


FIG. 4

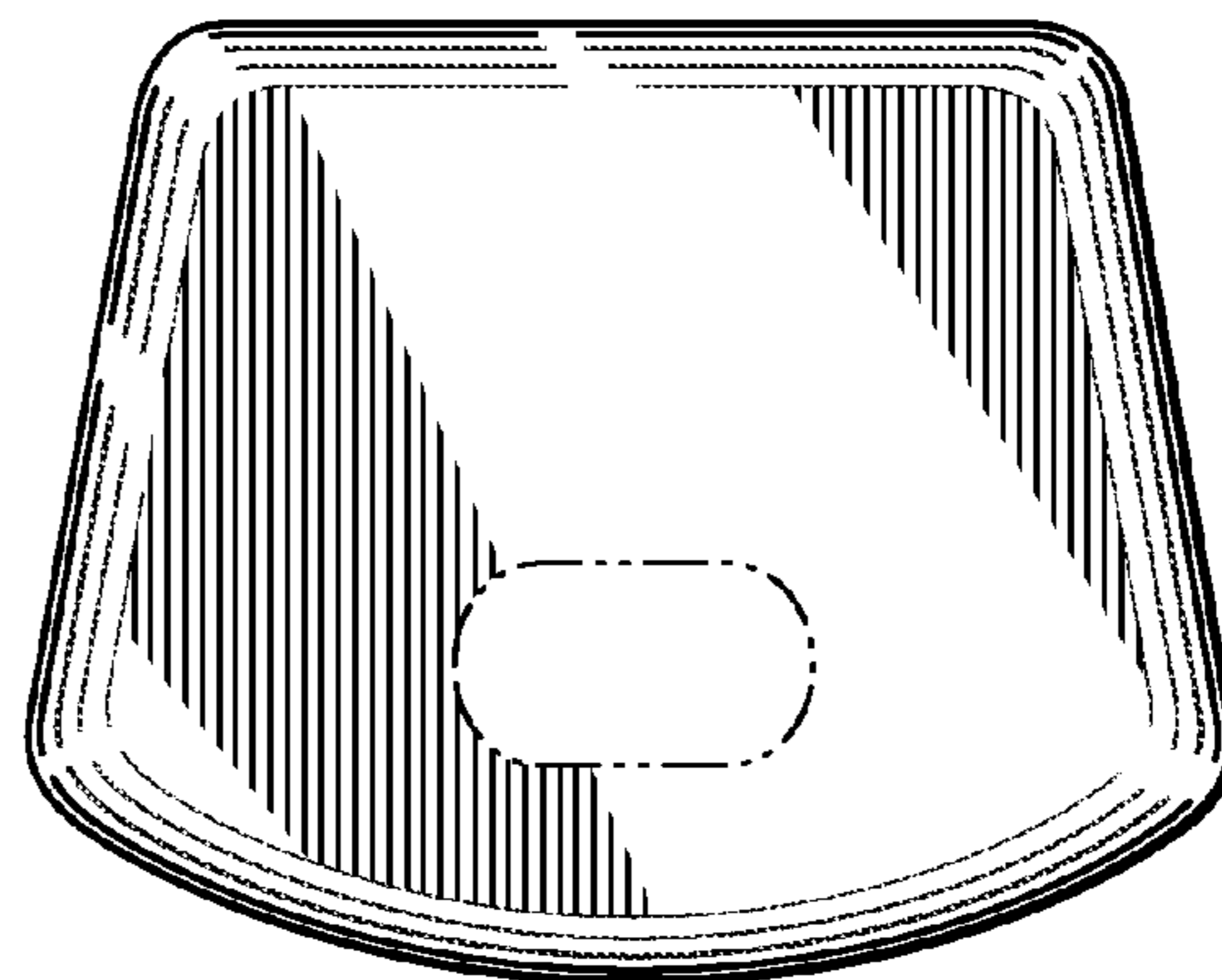


FIG. 5

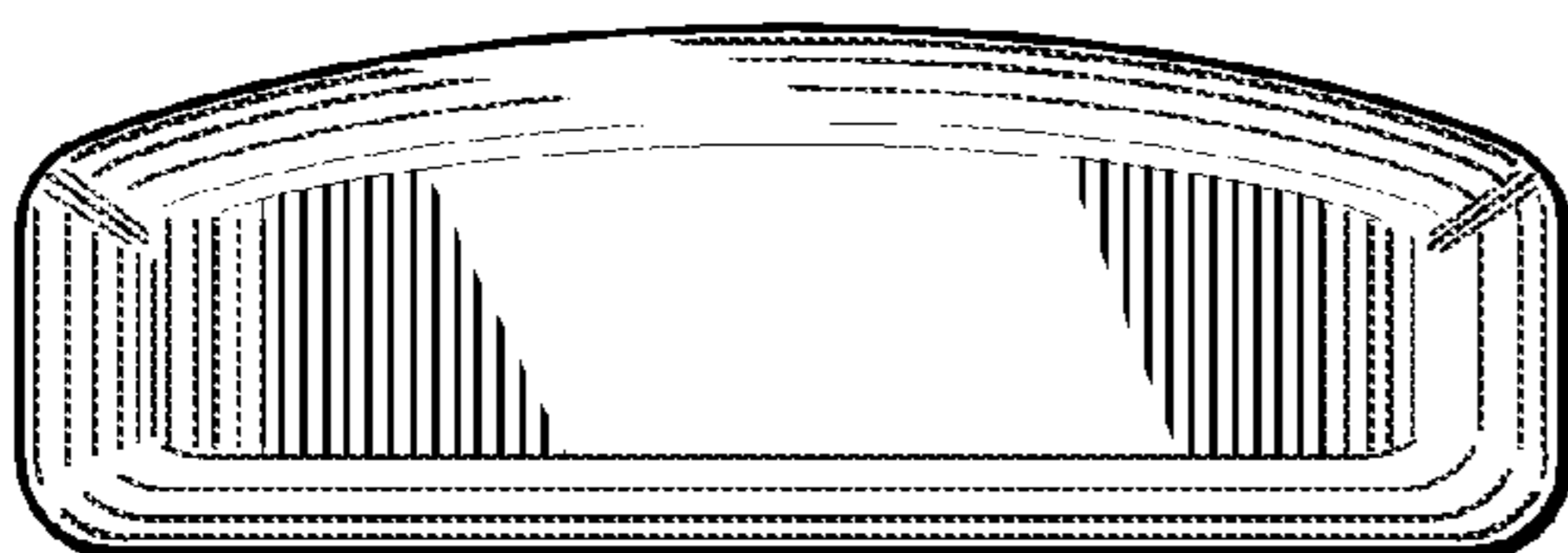


FIG. 6