



US00D566841S

(12) **United States Design Patent**
Nishida et al.

(10) **Patent No.:** **US D566,841 S**

(45) **Date of Patent:** **** Apr. 15, 2008**

(54) **IMPLANT FOR MEDICAL APPLICATIONS**

(75) Inventors: **Koutaro Nishida**, Kobe (JP); **Setuo Kinoshita**, Kasai (JP)

(73) Assignees: **Kinoshita Gikan Corporation**, Kasai-shi (JP); **Koutaro Nishida**, Kobe-shi (JP)

(**) Term: **14 Years**

(21) Appl. No.: **29/270,716**

(22) Filed: **Dec. 29, 2006**

(30) **Foreign Application Priority Data**

Jul. 3, 2006 (JP) 2006-017456

(51) **LOC (8) Cl.** **24-03**

(52) **U.S. Cl.** **D24/155**

(58) **Field of Classification Search** D24/155,
D24/156; 606/61, 72, 74; 623/17.16, 17.17,
623/11.1; D8/387; 433/173

See application file for complete search history.

(56) **References Cited**

U.S. PATENT DOCUMENTS

D225,970	S	*	1/1973	O'Donnell	D8/387
D263,878	S	*	4/1982	Edwardson	D24/156
D296,362	S	*	6/1988	Branemark	D24/156
D310,956	S	*	10/1990	Huska	D8/387
D317,200	S	*	5/1991	Jorneus	D24/156
D319,500	S	*	8/1991	Soderberg	D24/156
5,364,400	A	*	11/1994	Rego et al.	606/72
D374,080	S	*	9/1996	Broberg	D24/156
D414,556	S	*	9/1999	Broberg et al.	D24/156
D455,212	S	*	4/2002	Albrektsson et al.	D24/155

D469,535	S	*	1/2003	Lidskog et al.	D24/156
D496,260	S	*	9/2004	Echazabal	D8/387
D507,650	S	*	7/2005	Teich	D24/156

* cited by examiner

Primary Examiner—Charles A. Rademaker

(74) *Attorney, Agent, or Firm*—Alleman Hall McCoy Russell & Tuttle LLP

(57) **CLAIM**

The ornamental design for an implant for medical applications, as shown and described.

DESCRIPTION

FIG. 1 is a left side elevation of an implant for medical applications showing our new design;

FIG. 2 is a right side elevation thereof;

FIG. 3 is a top plan view thereof;

FIG. 4 is a bottom plan view thereof;

FIG. 5 is a rear elevation thereof;

FIG. 6 is a front elevation thereof;

FIG. 7 is a front perspective view thereof shown on a slightly reduced scale;

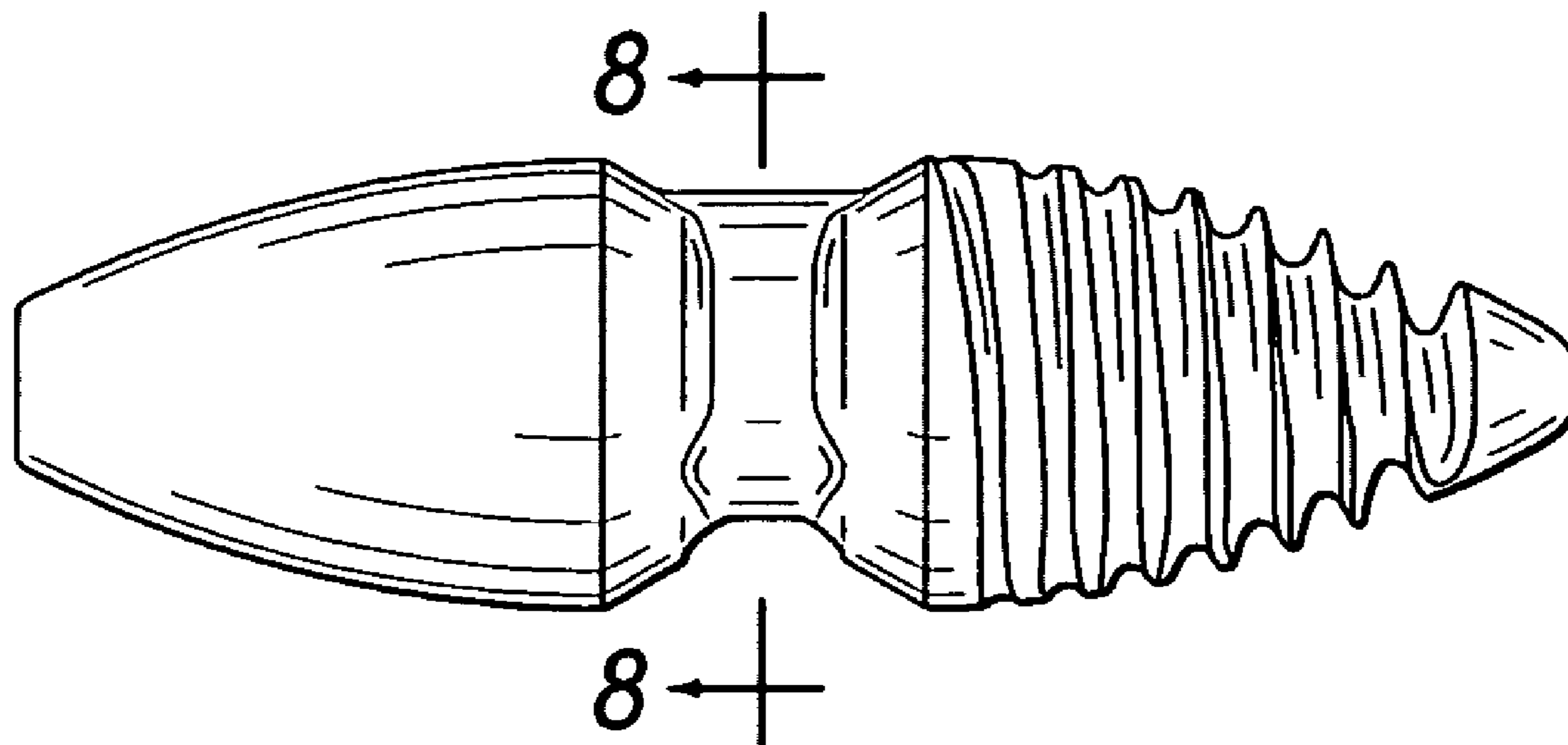
FIG. 8 is a cross-sectional view thereof taken along line 8—8 in FIG. 1;

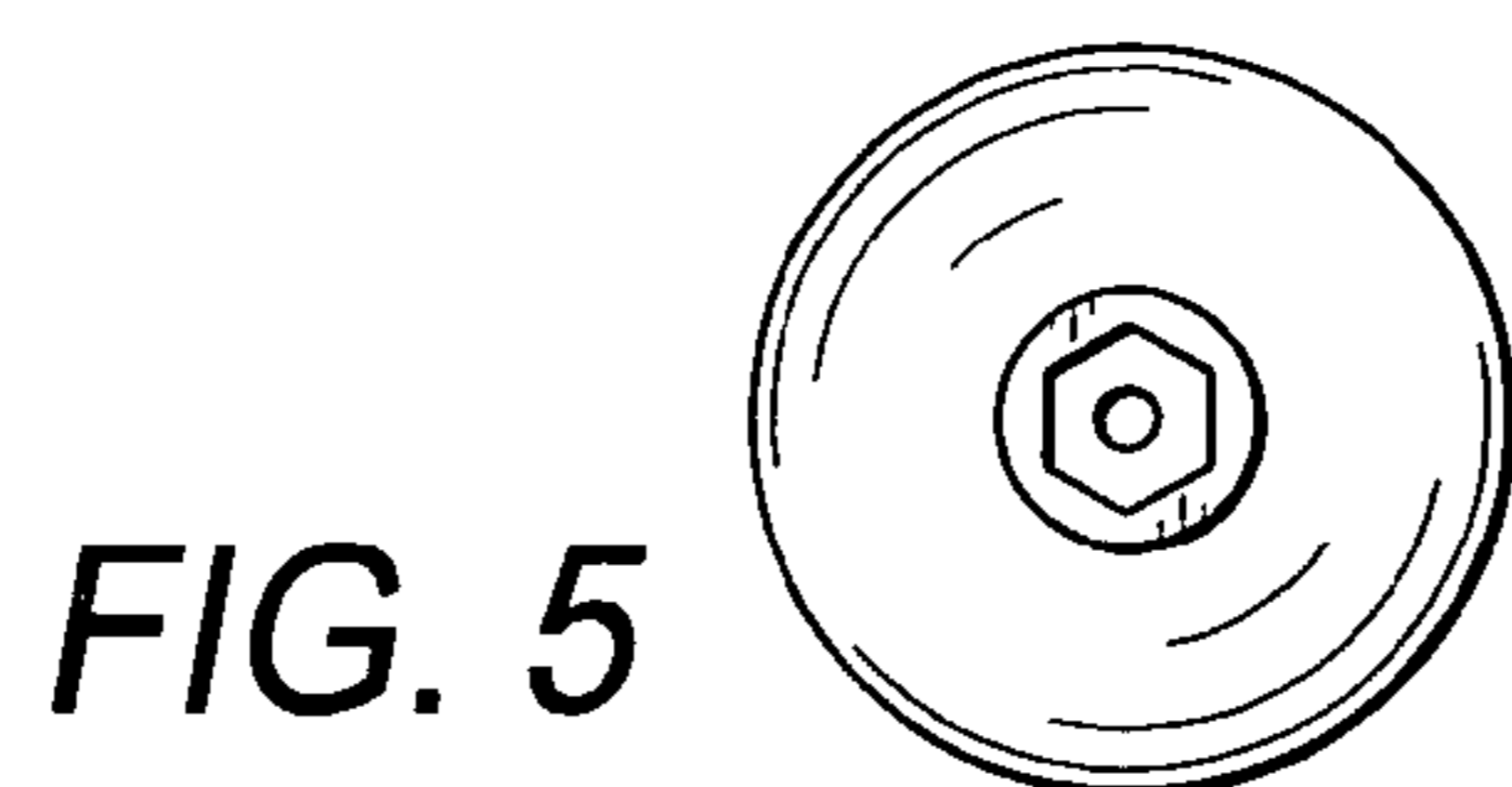
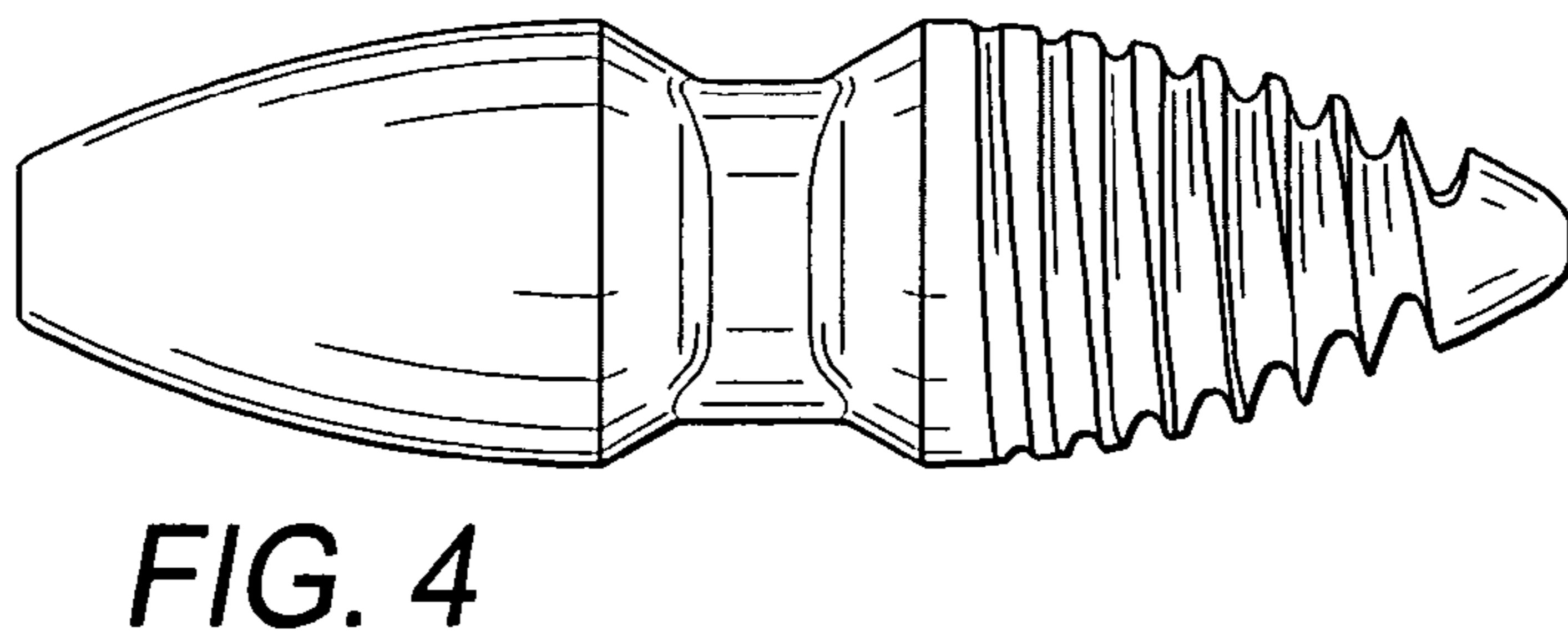
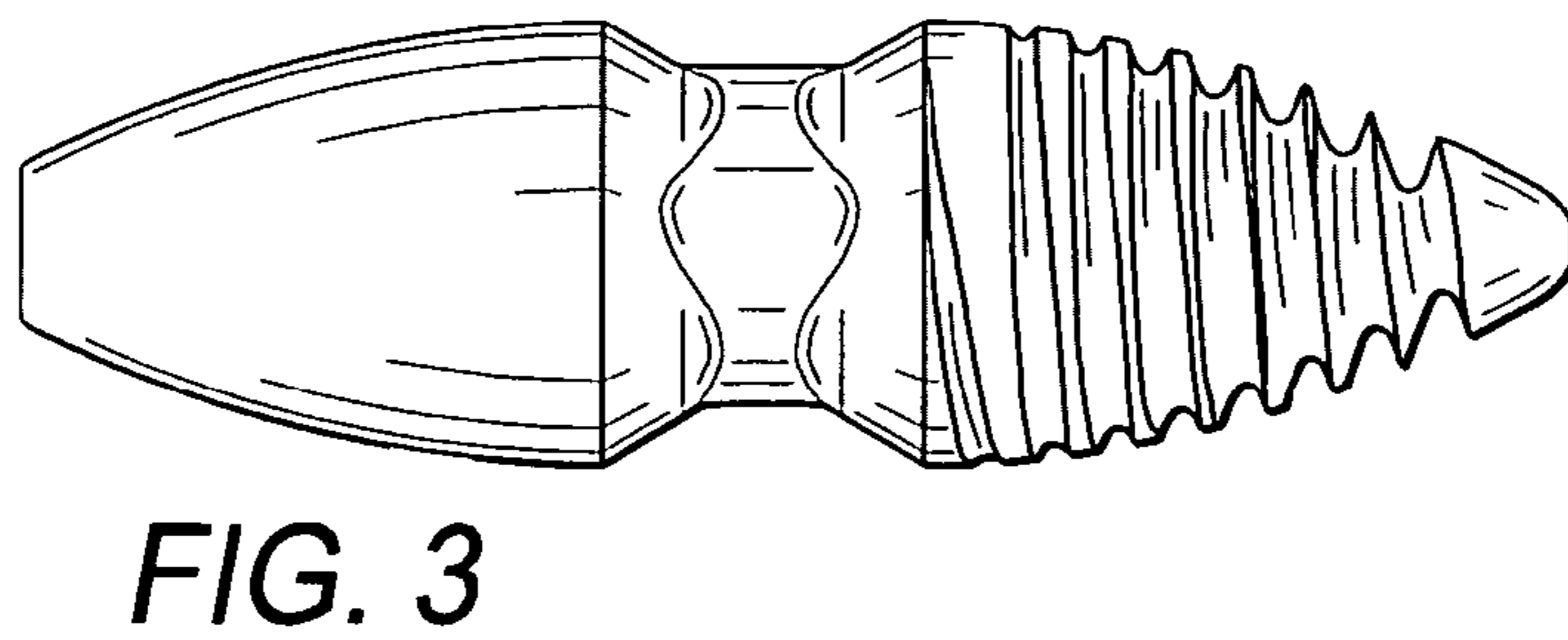
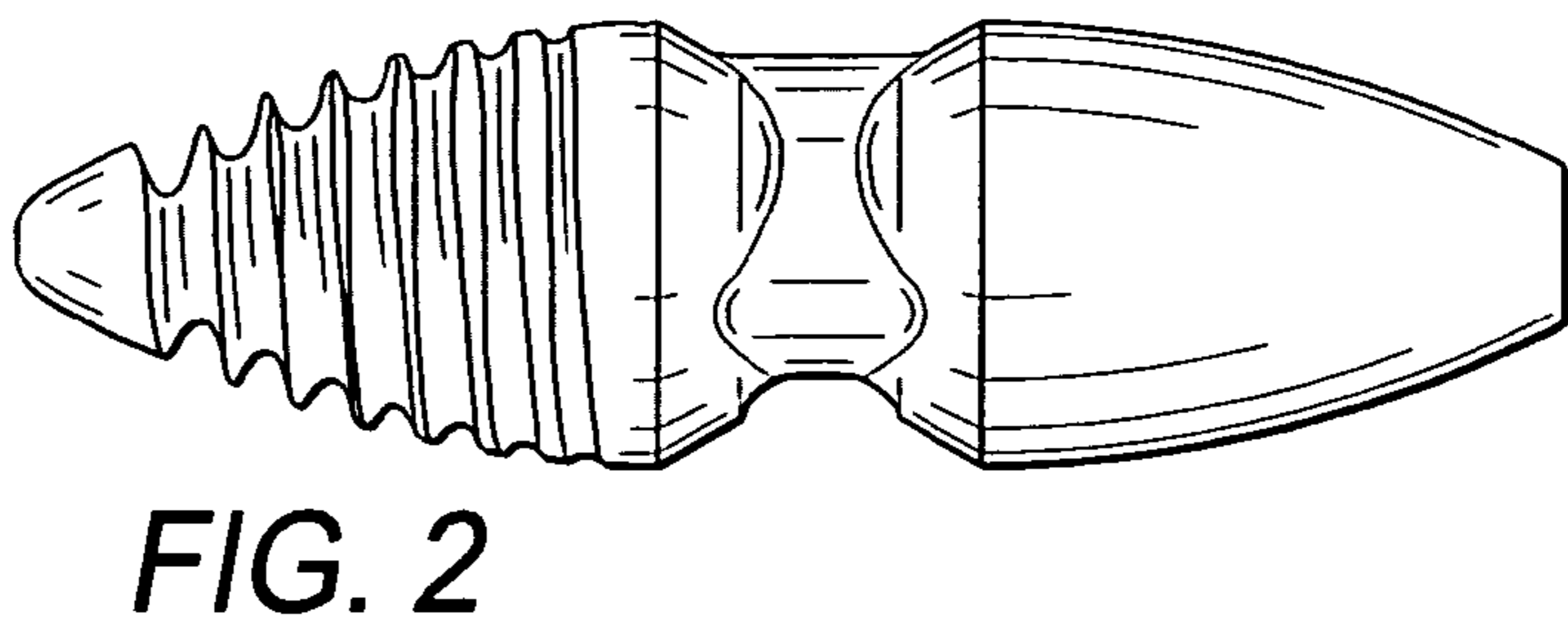
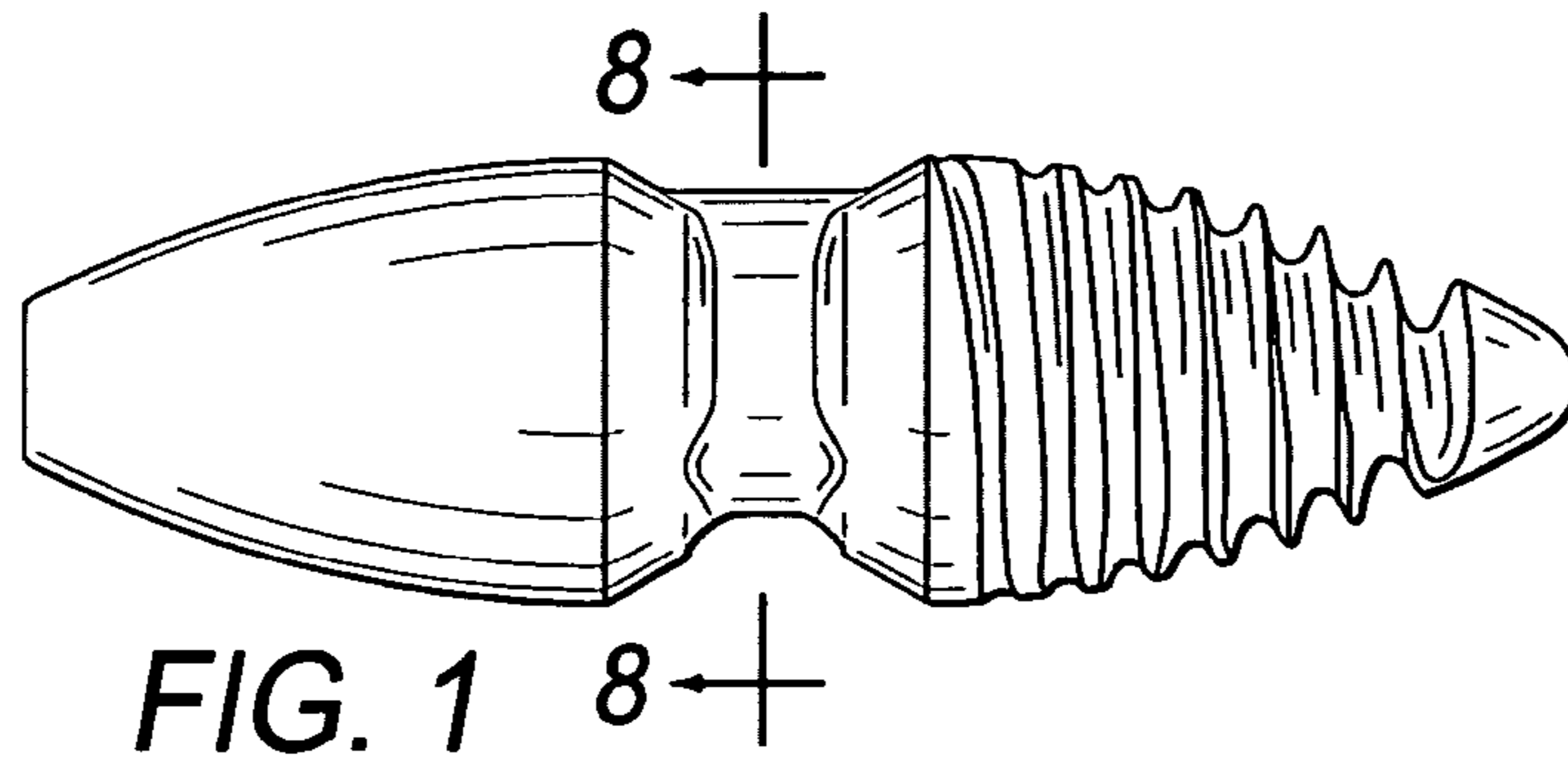
FIG. 9 is a rear elevation thereof showing broken lines to indicate environment; and,

FIG. 10 is a top plan view thereof.

The broken lines in FIGS. 9 and 10 are included for the purpose of illustrating the environment of the claimed design in use and form no part of the claimed design.

1 Claim, 3 Drawing Sheets





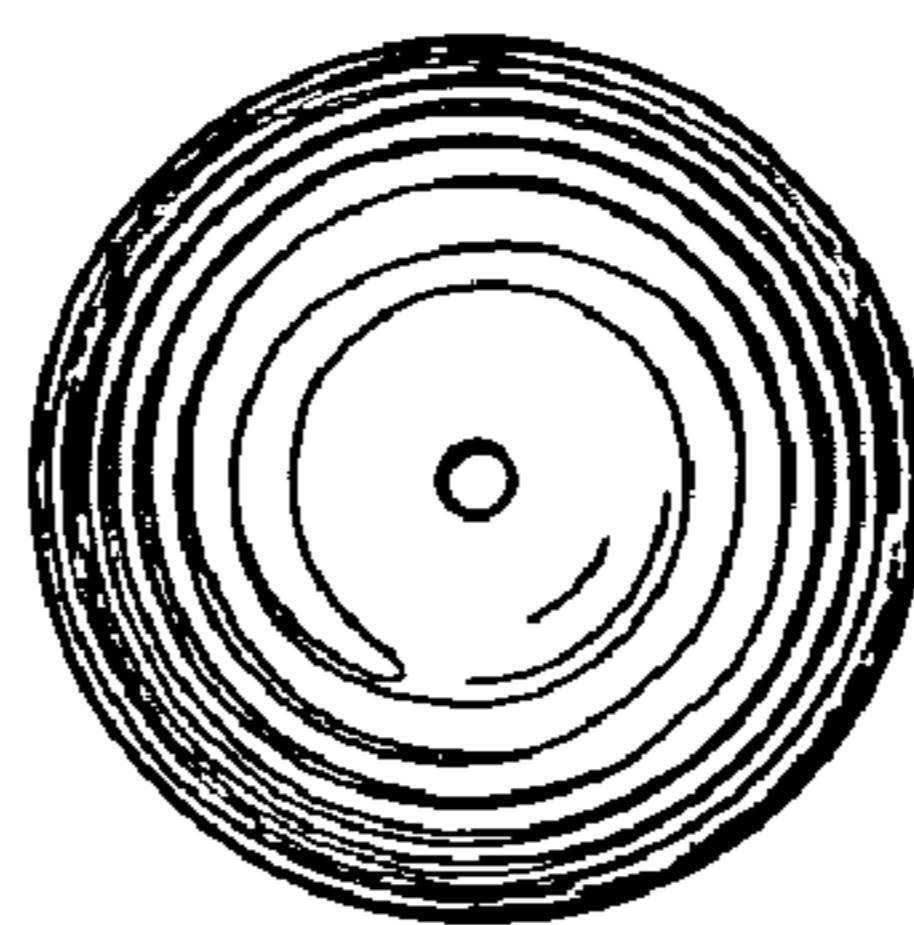


FIG. 6

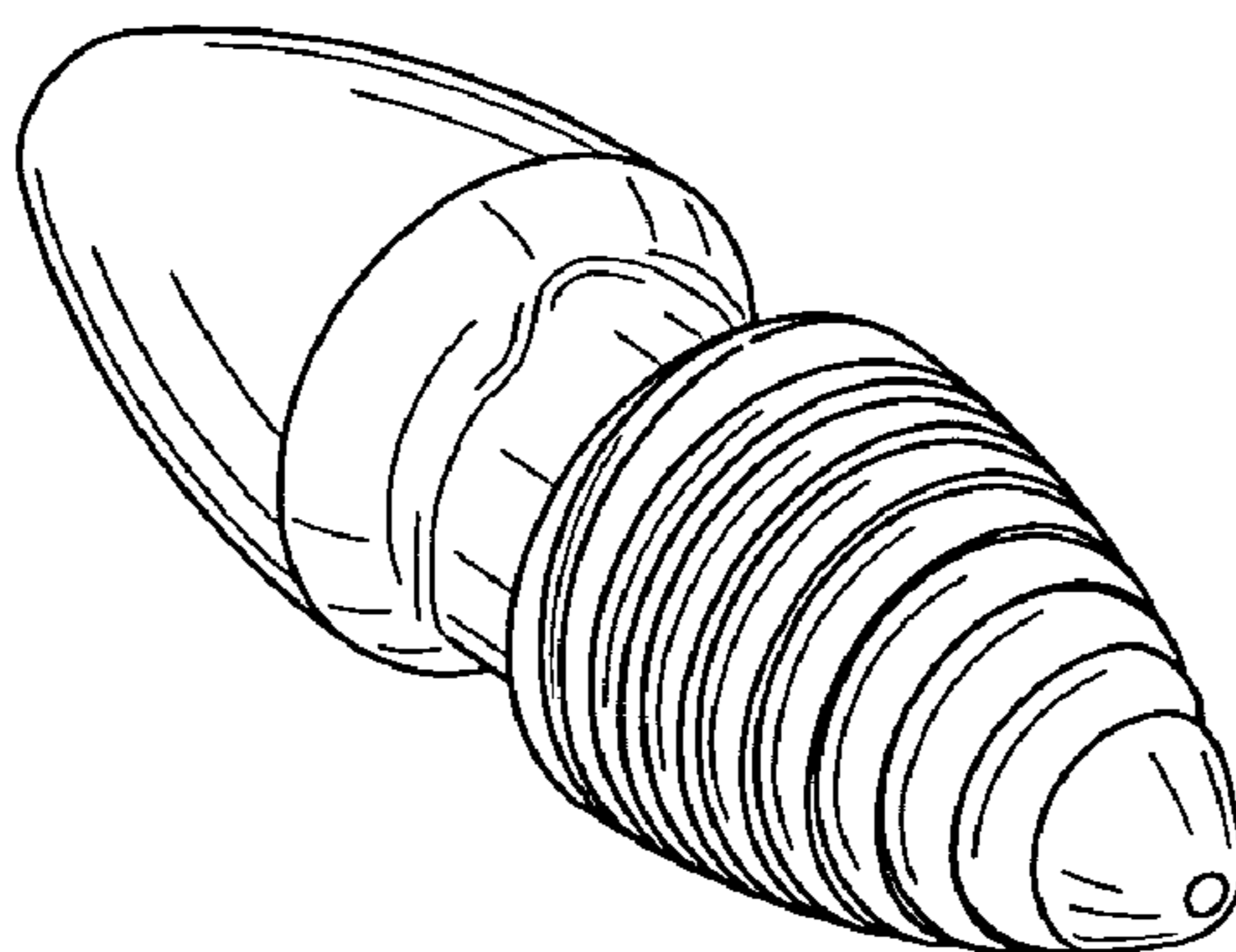


FIG. 7

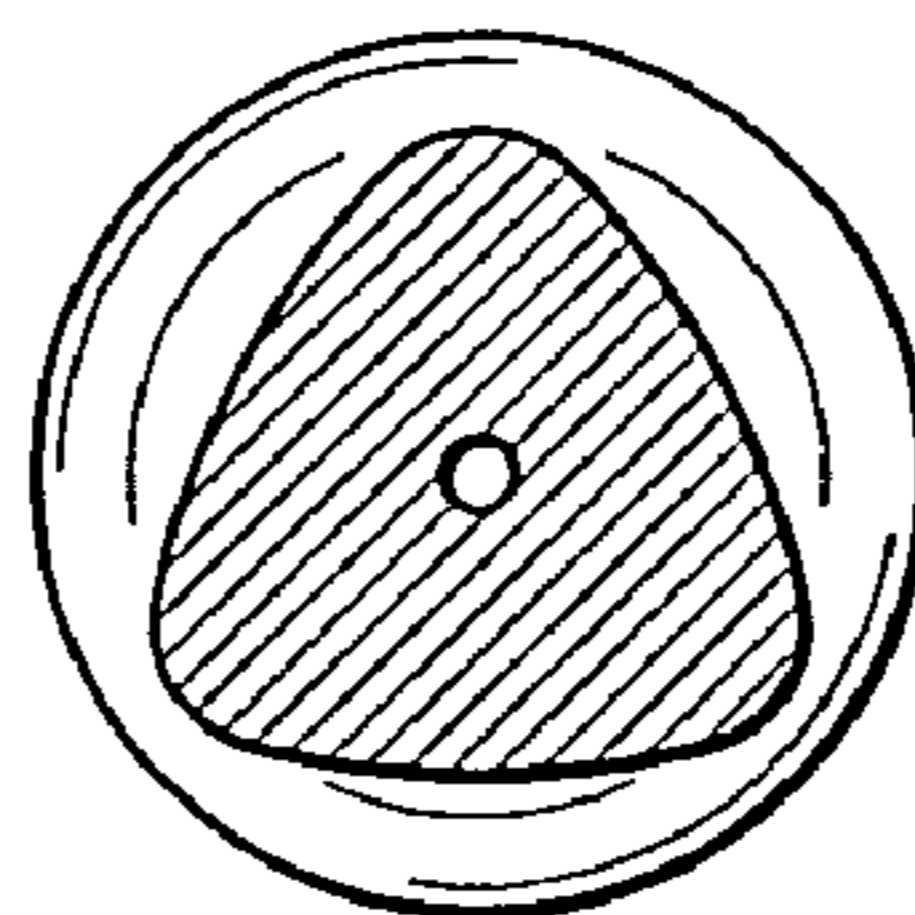


FIG. 8

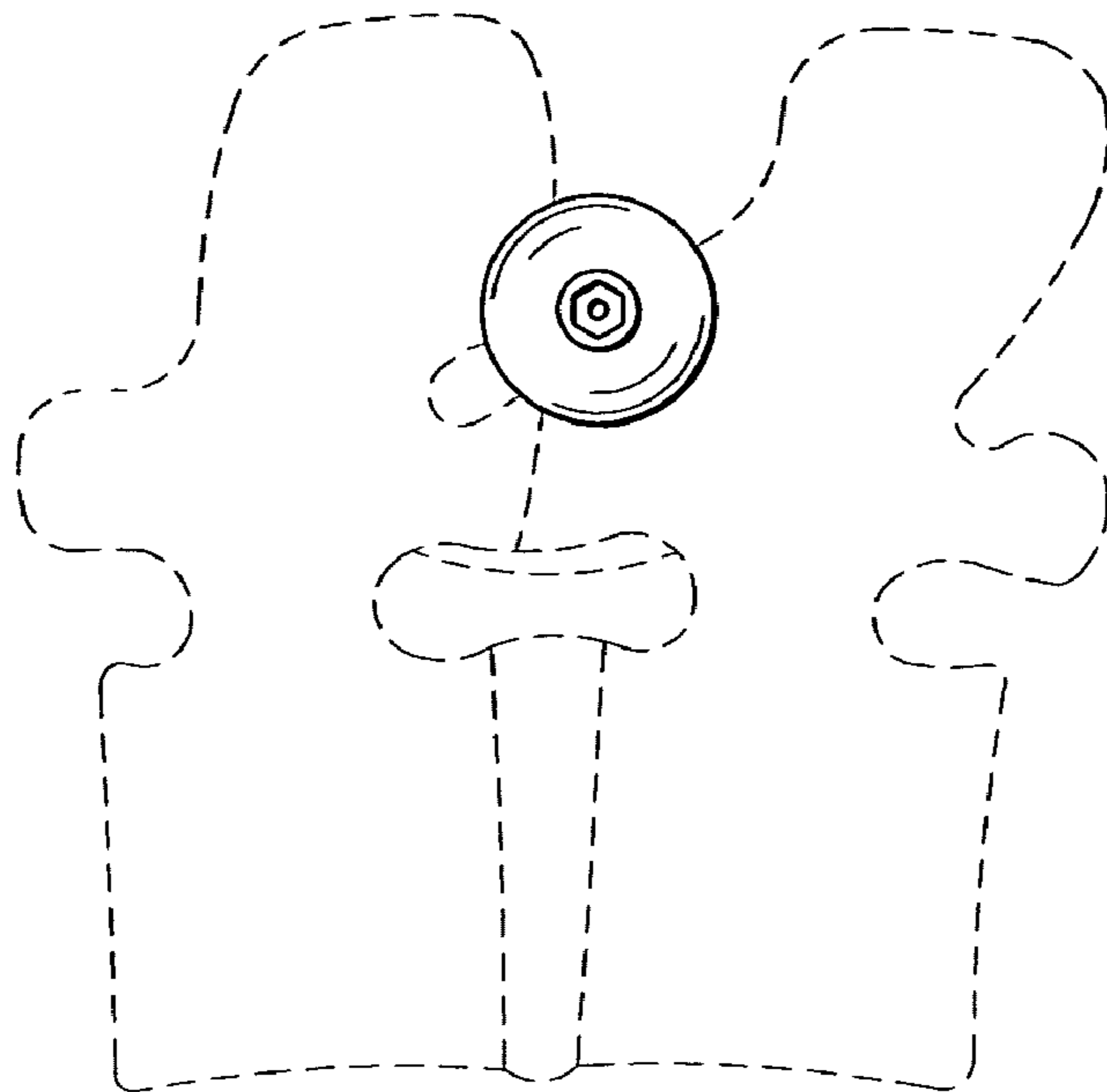


FIG. 9

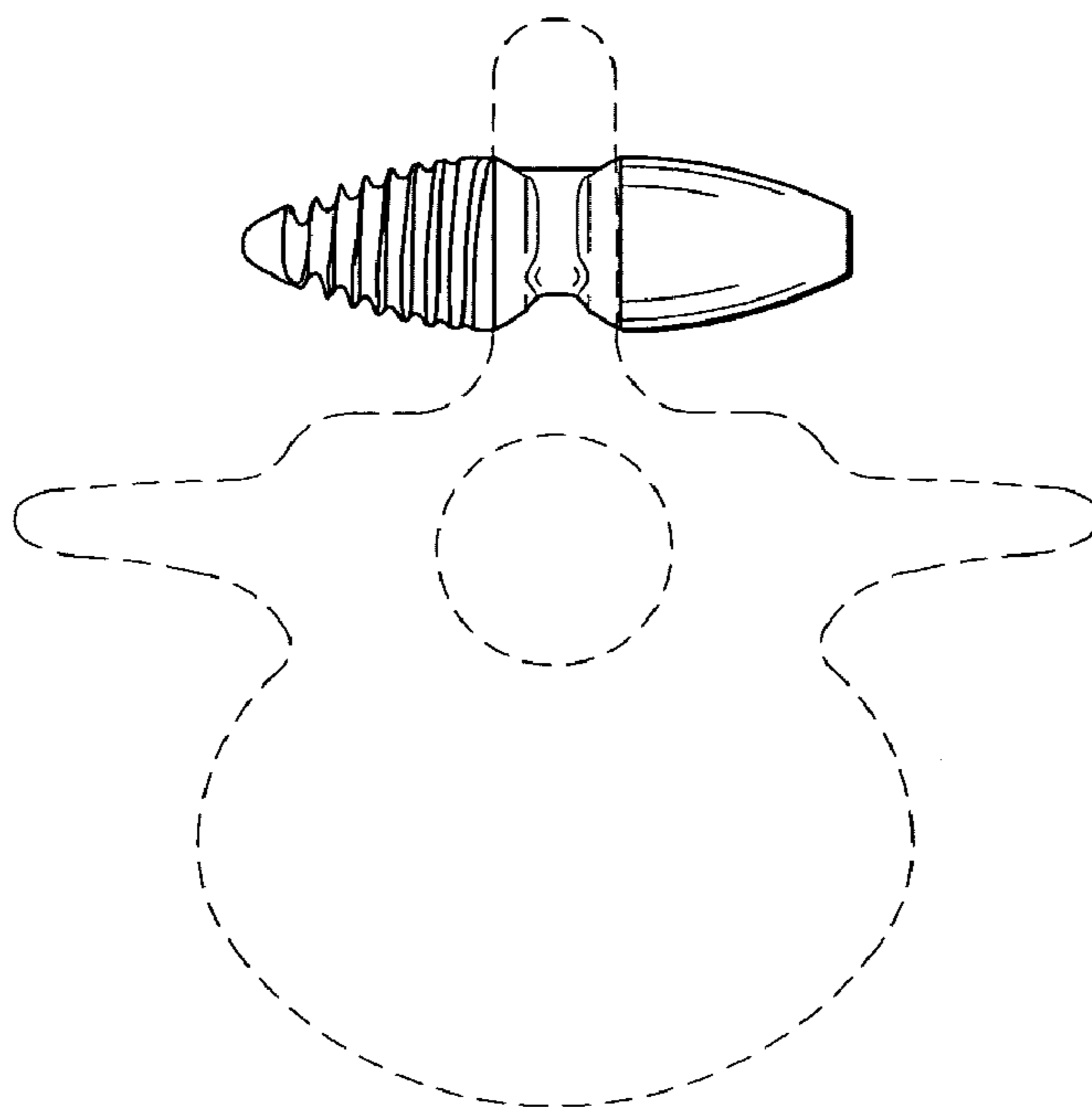


FIG. 10