



US00D566840S

(12) **United States Design Patent** (10) **Patent No.:** **US D566,840 S**  
**Golden** (45) **Date of Patent:** **\*\* Apr. 15, 2008**

(54) **DENTAL PLIERS**

(76) Inventor: **Richard Golden**, 18525 Moross,  
Detroit, MI (US) 48226

(\*\*) Term: **14 Years**

(21) Appl. No.: **29/276,849**

(22) Filed: **Feb. 7, 2007**

**Related U.S. Application Data**

(63) Continuation-in-part of application No. 29/225,602,  
filed on Mar. 18, 2005.

(51) **LOC (8) Cl.** ..... **24-02**

(52) **U.S. Cl.** ..... **D24/153**

(58) **Field of Classification Search** ..... D24/152-154,  
D24/176, 143, 146, 148; 81/426, 416; 433/159,  
433/160, 4; D22/150; D8/52

See application file for complete search history.

(56) **References Cited**

**U.S. PATENT DOCUMENTS**

8,351 A	9/1851	Burch	
354,863 A	12/1886	Hughes	
617,587 A *	1/1899	Llink	433/159
681,224 A *	8/1901	Jacob	433/160
908,056 A	12/1908	Whitney et al.	
1,628,499 A	5/1927	Joesch	
1,674,485 A *	6/1928	Smith	81/426
2,030,798 A *	2/1936	Krajieski	433/159
2,563,920 A	8/1951	Christensen	
2,944,341 A *	7/1960	Lane	433/159
3,834,026 A *	9/1974	Klein	433/159
3,866,324 A	2/1975	Walser	
RE29,889 E *	1/1979	Klein	433/159
D253,088 S *	10/1979	Levin	D8/52
5,044,954 A	9/1991	Lukase et al.	
5,057,016 A	10/1991	Lukase et al.	
5,122,058 A	6/1992	Lukase et al.	

5,205,734 A *	4/1993	Marangoni et al.	433/4
D335,249 S *	5/1993	Hopkins	D8/52
D362,293 S *	9/1995	Formaggioni	D22/150
D370,161 S *	5/1996	Snyder	D8/52
D392,167 S *	3/1998	Cockrell et al.	D8/52
D396,619 S *	8/1998	Hunter	D8/52
5,833,460 A	11/1998	Maeda	
5,996,450 A	12/1999	St. John	
6,029,297 A	2/2000	French	
D426,440 S *	6/2000	Torres	D8/52
6,280,184 B1 *	8/2001	Hamilton	433/159
6,293,790 B1	9/2001	Hilliard	
6,910,890 B2 *	6/2005	Golden	433/159
2002/0146665 A1 *	10/2002	Tamura	433/159
2004/0101805 A1	5/2004	Golden	
2004/0159194 A1 *	8/2004	Ting	81/416

\* cited by examiner

*Primary Examiner*—Charles A. Rademaker  
(74) *Attorney, Agent, or Firm*—Gifford, Krass, Sprinkle,  
Anderson & Citkowski, P.C.

(57) **CLAIM**

The ornamental design for dental pliers, as shown and described.

**DESCRIPTION**

FIG. 1 is a side elevation of a dental pliers showing my new design;

FIG. 2 is a top perspective view thereof shown on a slightly enlarged scale;

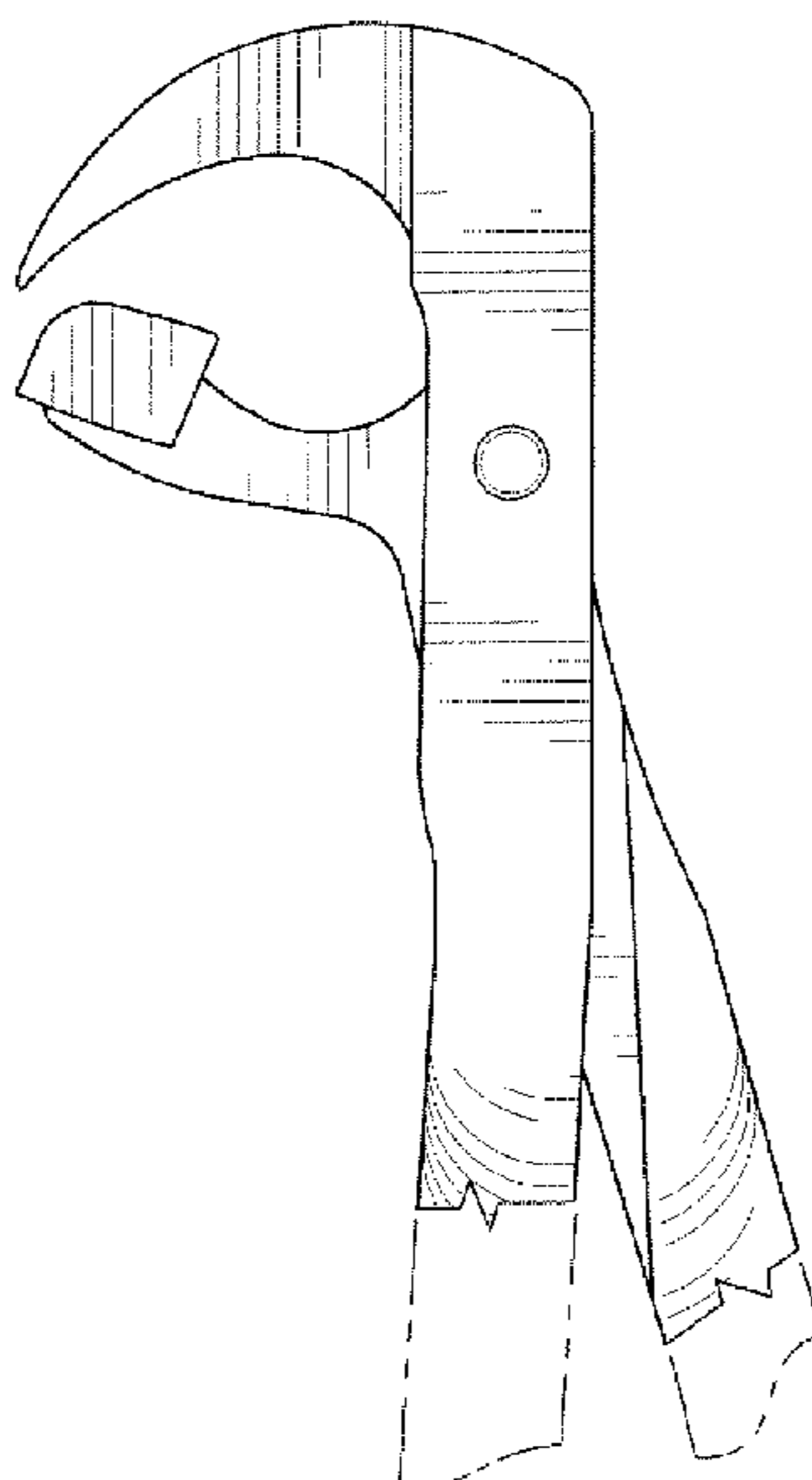
FIG. 3 is a front elevation thereof;

FIG. 4 is a rear elevation thereof; and,

FIG. 5 is a top plan view hereof.

The broken lines shown in the drawings represent environmental structure and do not form a part of the claimed design.

**1 Claim, 2 Drawing Sheets**



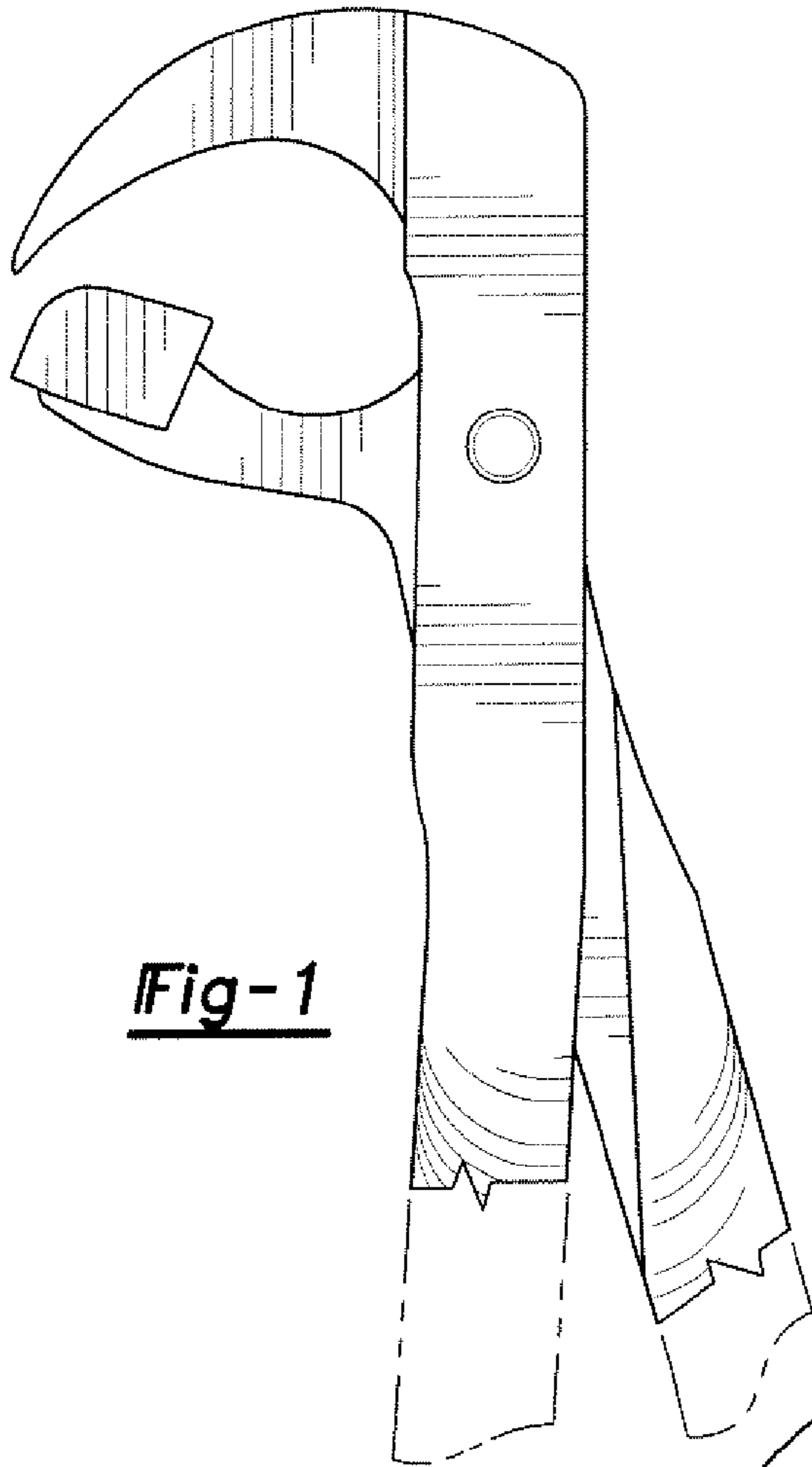


Fig-1

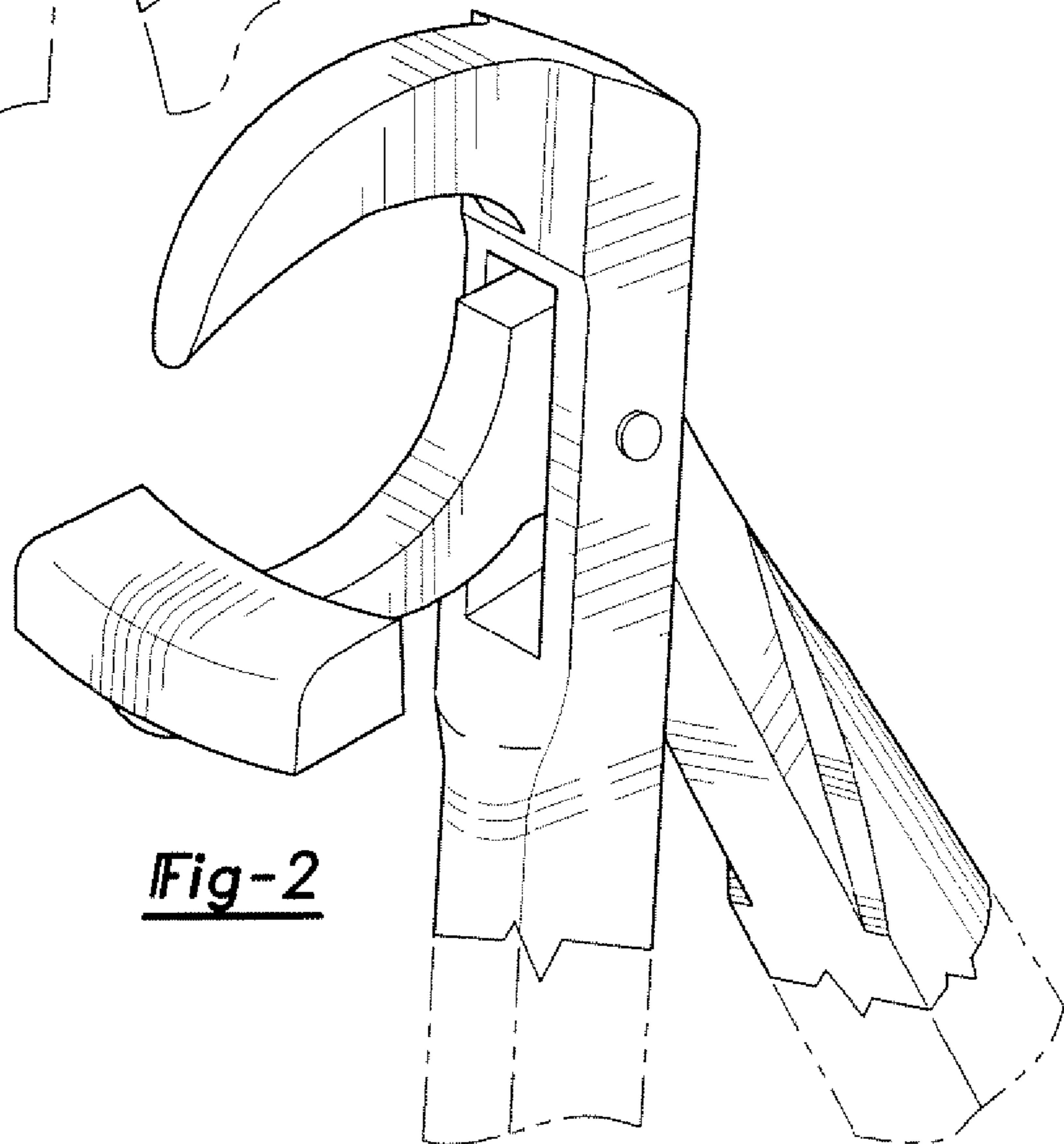


Fig-2

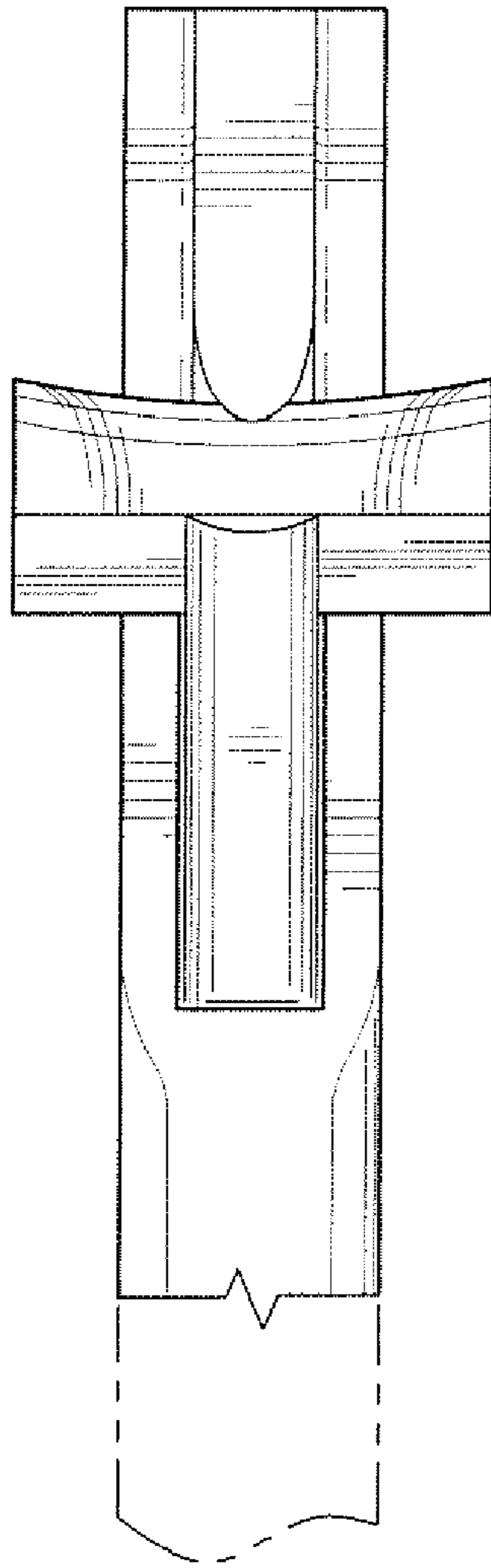


Fig-3

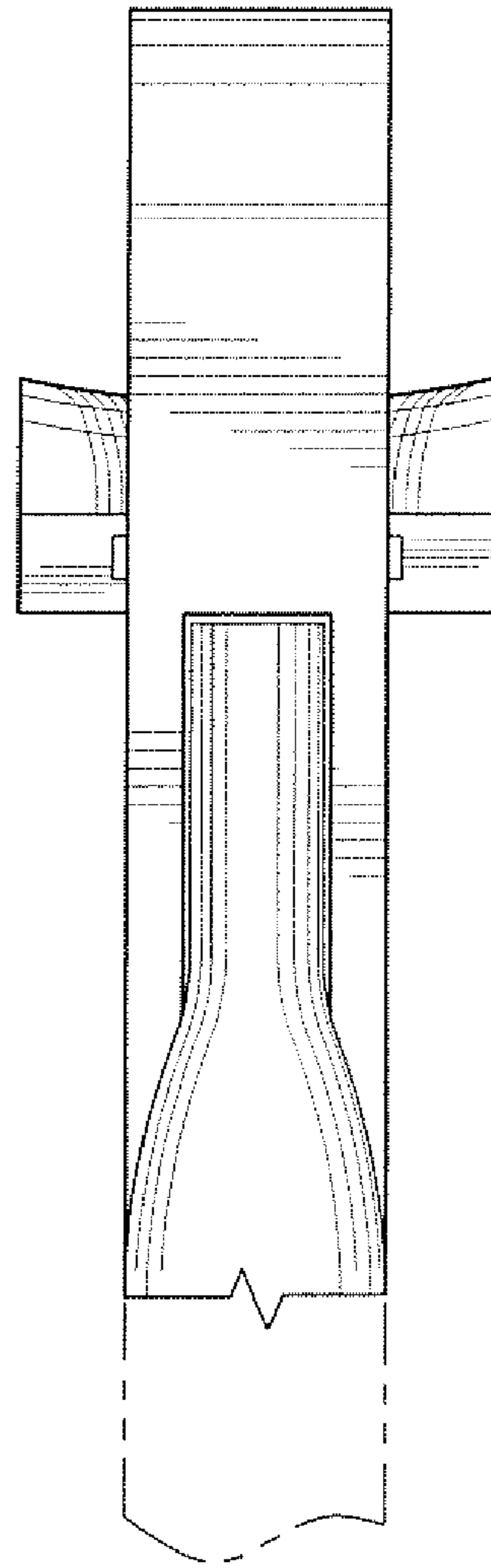


Fig-4

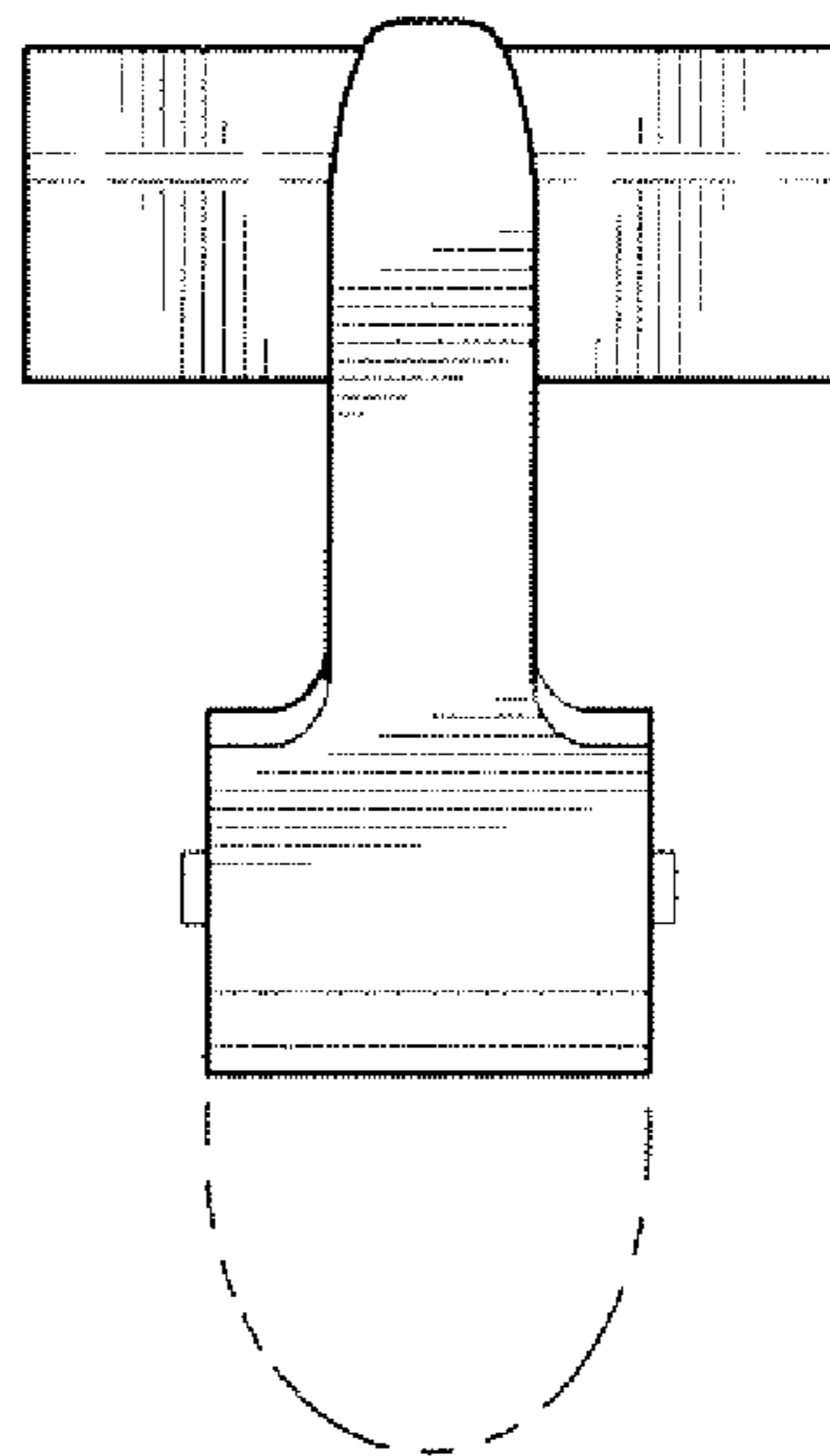


Fig-5