



US00D566839S

(12) **United States Design Patent**  
**Hayashi**

(10) **Patent No.:** **US D566,839 S**

(45) **Date of Patent:** **\*\* Apr. 15, 2008**

(54) **COVER FOR ENDOSCOPE CONNECTOR**

D481,125 S \* 10/2003 Hayamizu ..... D24/138  
D498,533 S \* 11/2004 Hayamizu ..... D24/138  
2006/0052663 A1 \* 3/2006 Koitabashi ..... 600/132

(75) Inventor: **Tatsuyuki Hayashi**, Saitama (JP)

(73) Assignee: **PENTAX Corporation**, Tokyo (JP)

\* cited by examiner

(\*\*) Term: **14 Years**

*Primary Examiner*—Ian Simmons

*Assistant Examiner*—Christopher Lee

(21) Appl. No.: **29/262,584**

(74) *Attorney, Agent, or Firm*—Sughrue Mion, PLLC

(22) Filed: **Jul. 7, 2006**

(57) **CLAIM**

(30) **Foreign Application Priority Data**

The ornamental design for a cover for endoscope connector, as shown.

Jan. 10, 2006 (JP) ..... 2006-000179

(51) **LOC (8) Cl.** ..... **24-02**

**DESCRIPTION**

(52) **U.S. Cl.** ..... **D24/138; D24/129**

FIG. 1 is a perspective view of the top, front and right side of a cover for endoscope connector showing my new design;

(58) **Field of Classification Search** ..... D24/138,

D24/129; 348/75, 65; 600/142, 131, 459,

600/132, 174, 134, 453, 461, 160, 462

FIG. 2 is a front elevational view thereof;

FIG. 3 is a rear elevational view thereof;

See application file for complete search history.

FIG. 4 is a right side elevational view thereof;

FIG. 5 is a left side elevational view thereof;

(56) **References Cited**

**U.S. PATENT DOCUMENTS**

5,993,381 A \* 11/1999 Ito ..... 600/131

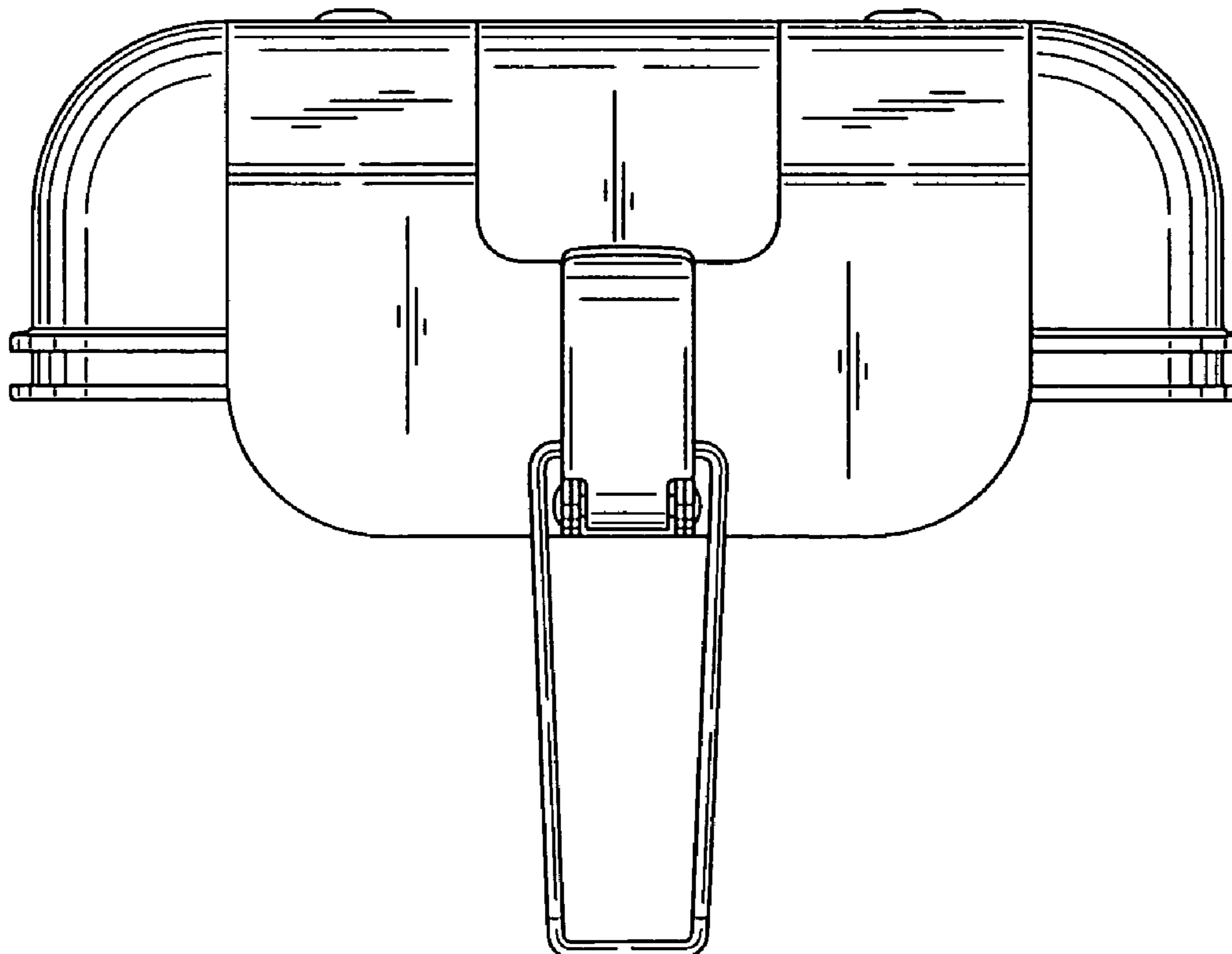
6,099,466 A \* 8/2000 Sano et al. .... 600/160

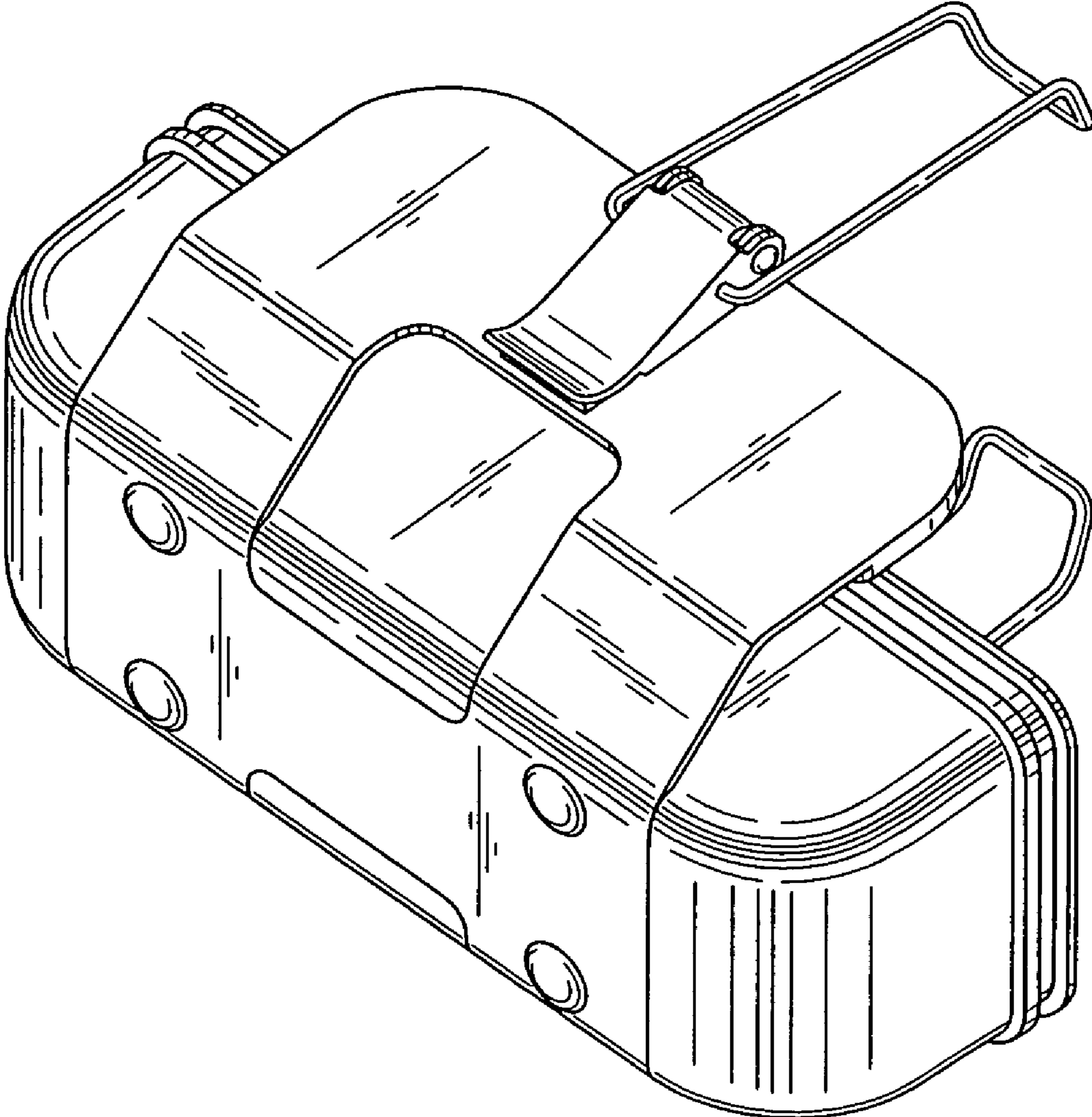
6,482,149 B1 \* 11/2002 Torii ..... 600/142

FIG. 6 is a top plan view thereof; and,

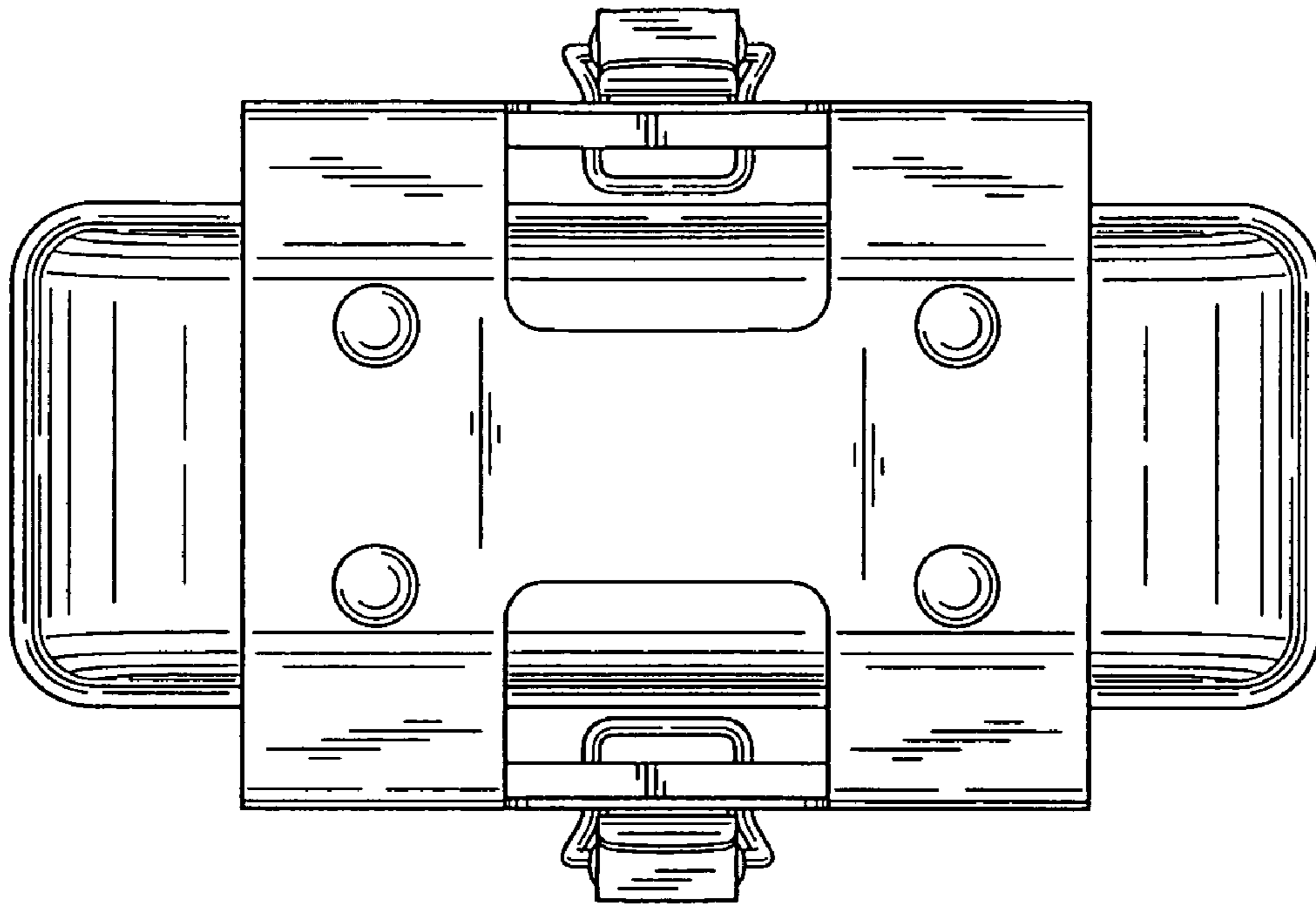
FIG. 7 is a bottom plan view thereof.

**1 Claim, 4 Drawing Sheets**

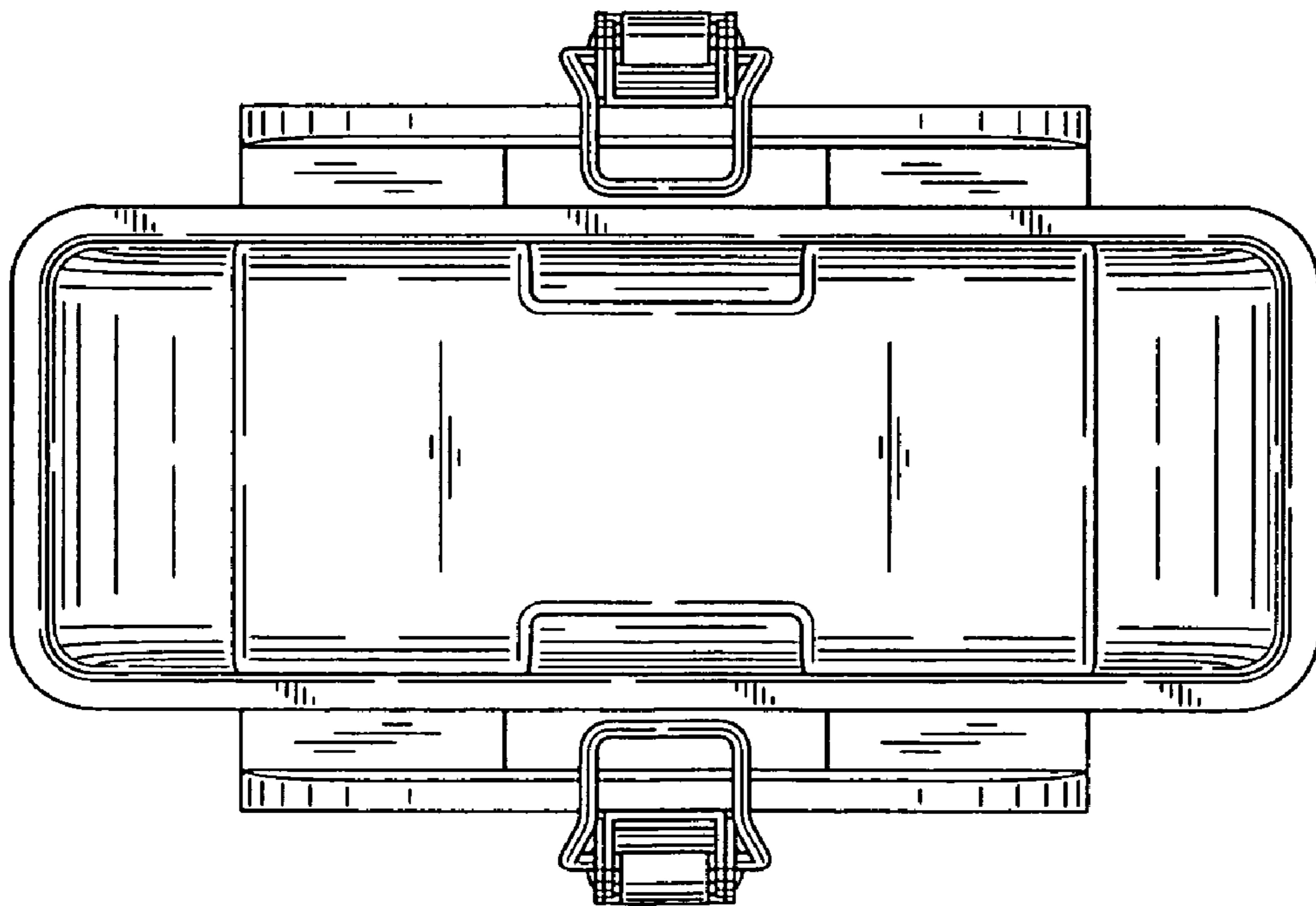




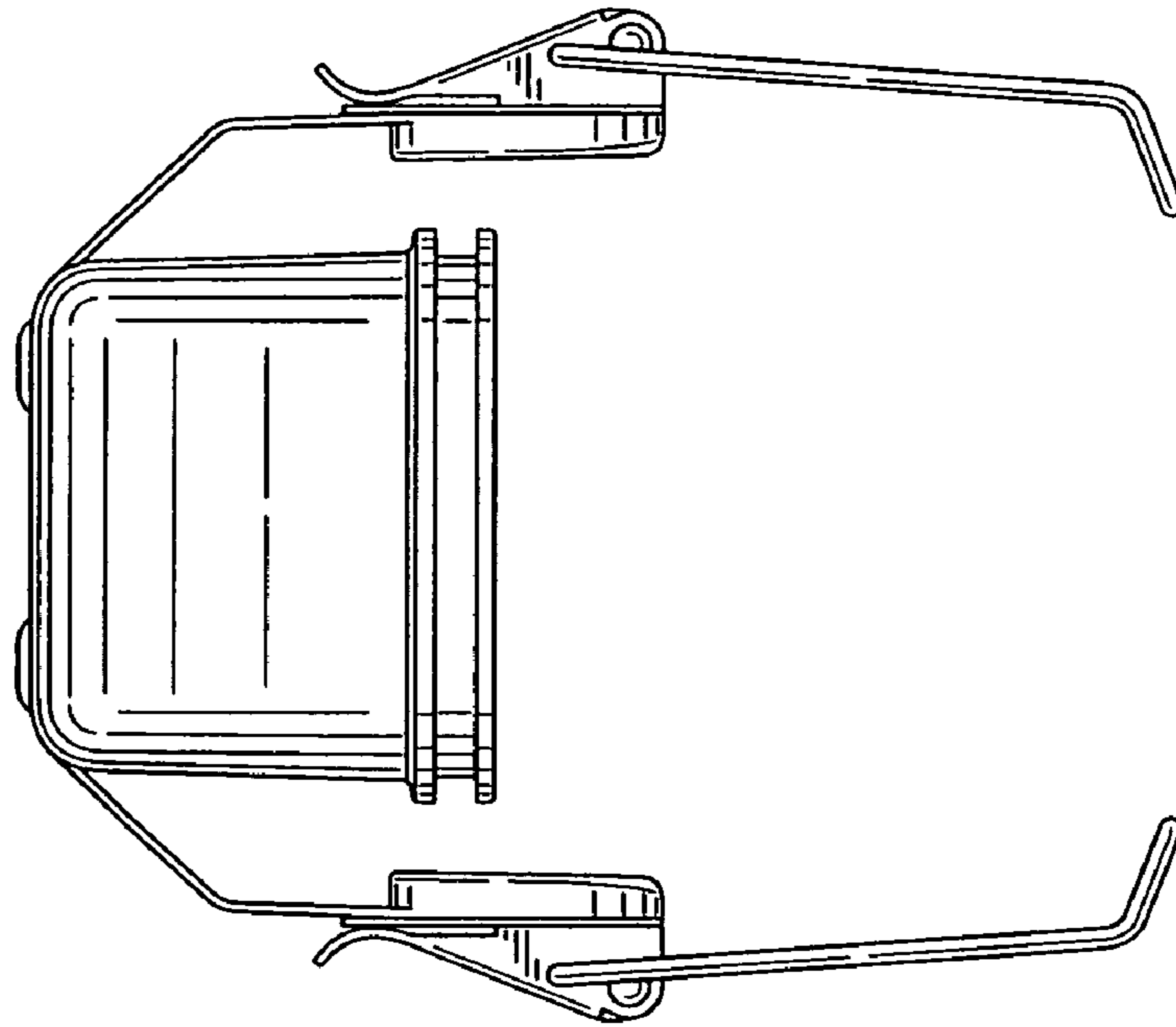
*FIG. 1*



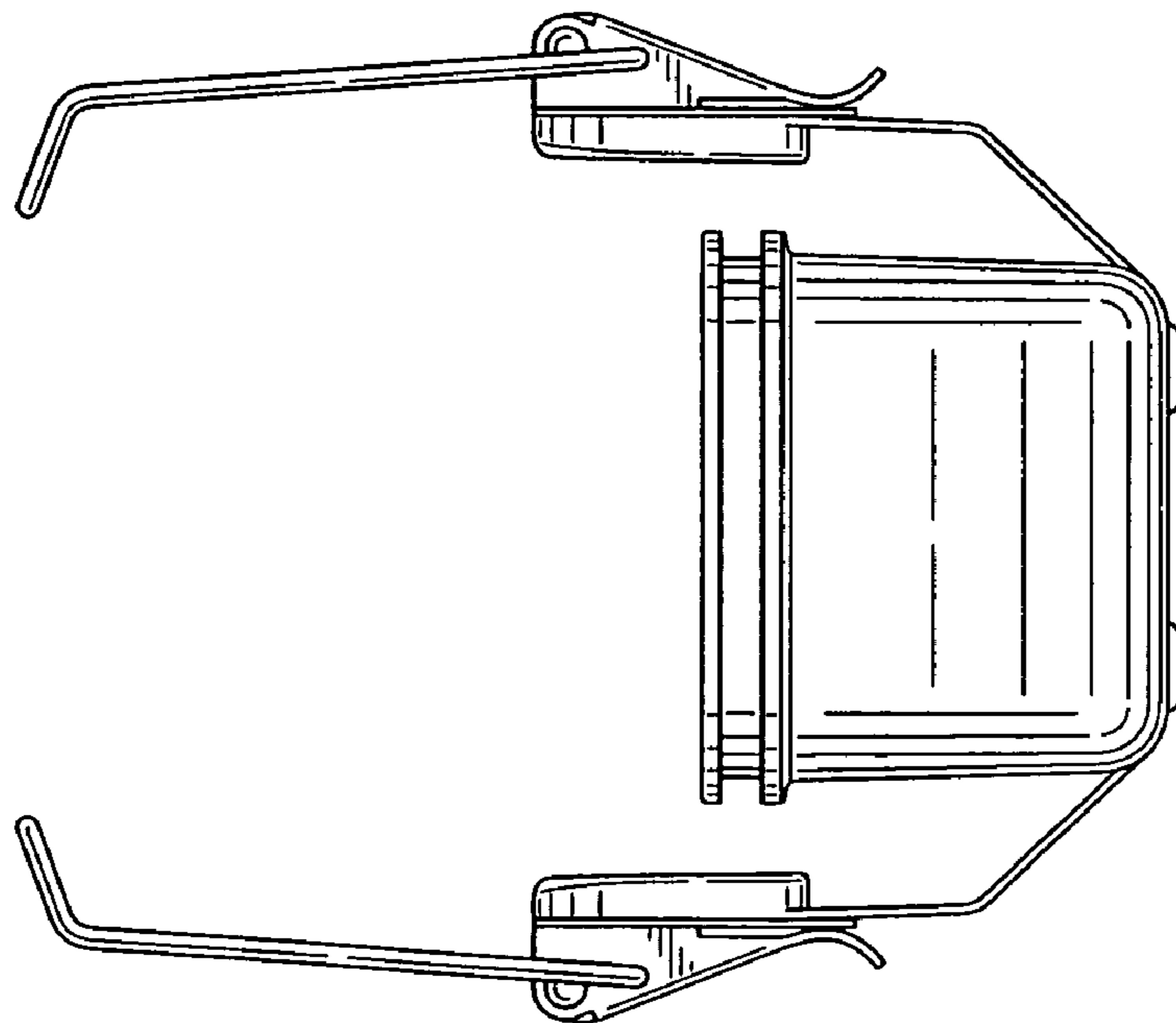
*FIG. 2*



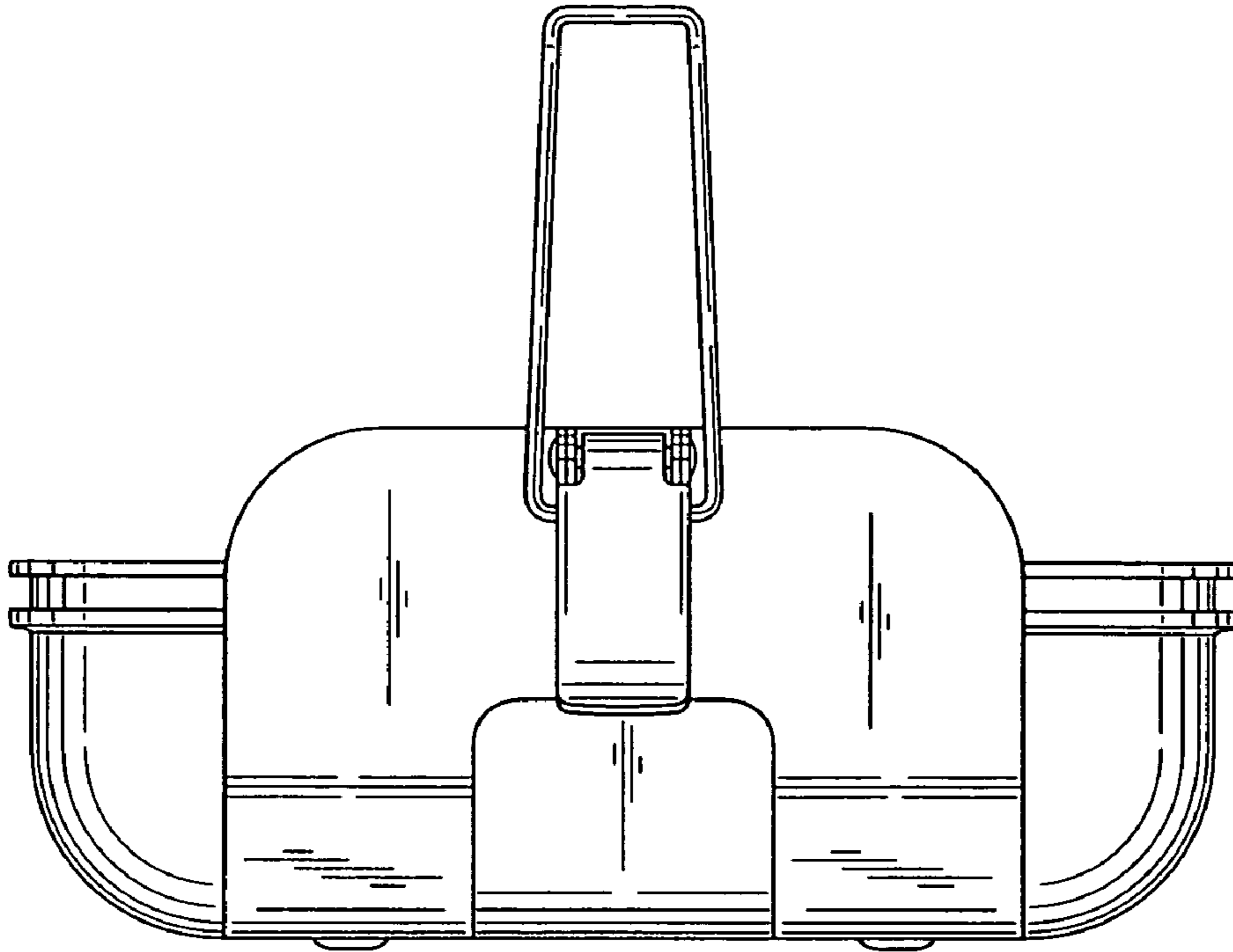
*FIG. 3*



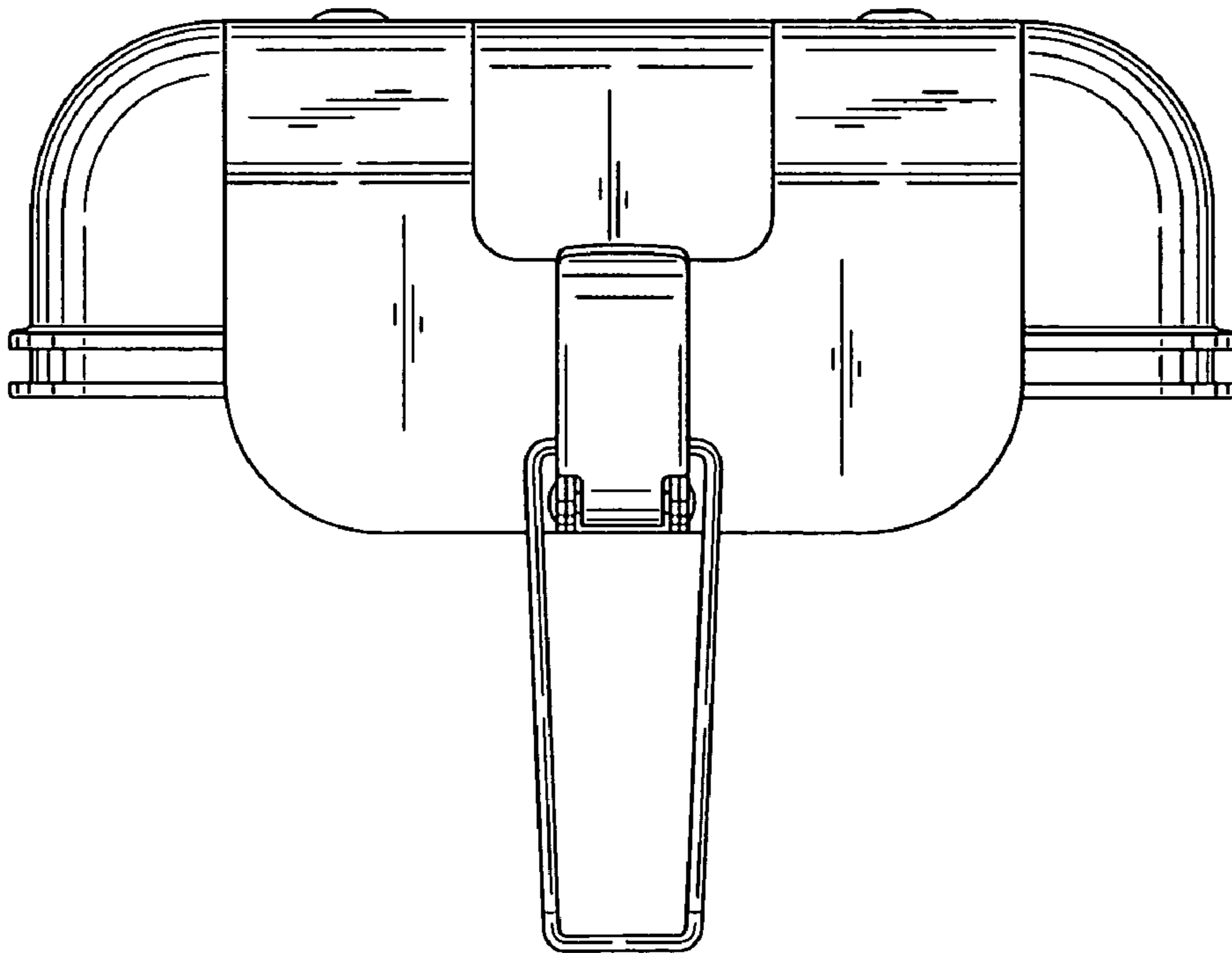
*FIG. 4*



*FIG. 5*



*FIG. 6*



*FIG. 7*