



US00D566836S

(12) **United States Design Patent**
Keane

(10) **Patent No.:** **US D566,836 S**

(45) **Date of Patent:** **** Apr. 15, 2008**

(54) **SURGICAL INSTRUMENT HANDLE ASSEMBLY**

(75) Inventor: **Jerry Keane**, Louisville, CO (US)

(73) Assignee: **Encision, Inc.**

(**) Term: **14 Years**

(21) Appl. No.: **29/278,021**

(22) Filed: **Mar. 16, 2007**

(51) **LOC (8) Cl.** **24-02**

(52) **U.S. Cl.** **D24/133; D24/144**

(58) **Field of Classification Search** D24/133,
D24/144; 606/39, 34, 42, 45, 49, 47, 41
See application file for complete search history.

(56) **References Cited**

U.S. PATENT DOCUMENTS

5,437,665	A *	8/1995	Munro	606/47
D393,067	S *	3/1998	Geary et al.	D24/144
D453,833	S *	2/2002	Hess	D24/144
D457,955	S *	5/2002	Bilitz	D24/133
D490,152	S *	5/2004	Myall et al.	D24/133
D547,867	S *	7/2007	Malis et al.	D24/144

* cited by examiner

Primary Examiner—Ian Simmons

Assistant Examiner—Christopher Lee

(74) *Attorney, Agent, or Firm*—Neugeboren Law Firm PC

(57) **CLAIM**

The ornamental design for a surgical instrument handle assembly, as shown and described.

DESCRIPTION

FIG. 1 is a perspective view of a surgical instrument handle assembly showing my new design;

FIG. 2 is a side view thereof;

FIG. 3 is an end view thereof;

FIG. 4 is another end view thereof;

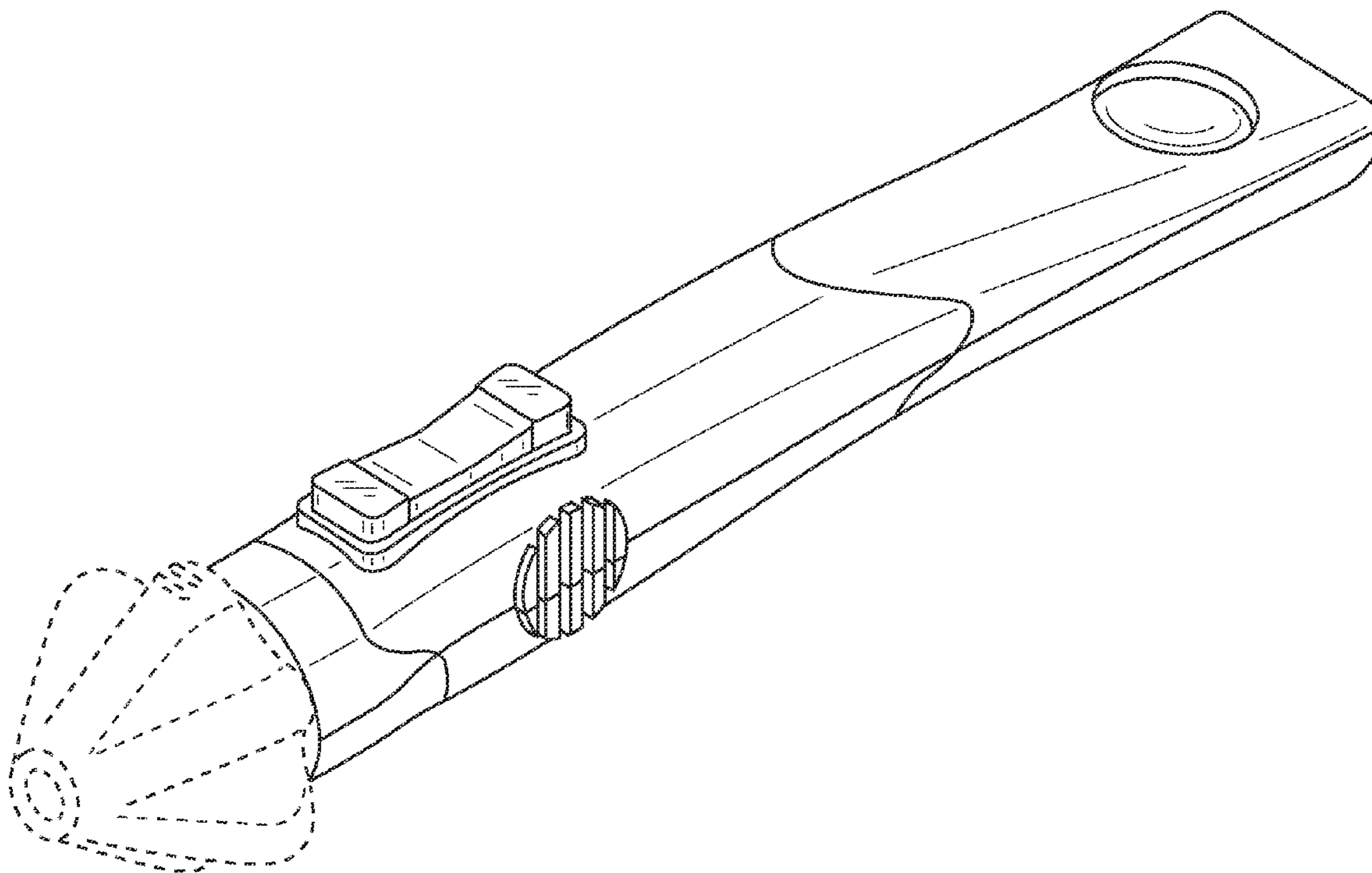
FIG. 5 is a top plan view thereof;

FIG. 6 is a bottom plan view thereof; and,

FIG. 7 is a perspective environmental view thereof.

The portions of the article in broken lines are shown for illustrative purposes only and form no part of the claimed design.

1 Claim, 4 Drawing Sheets



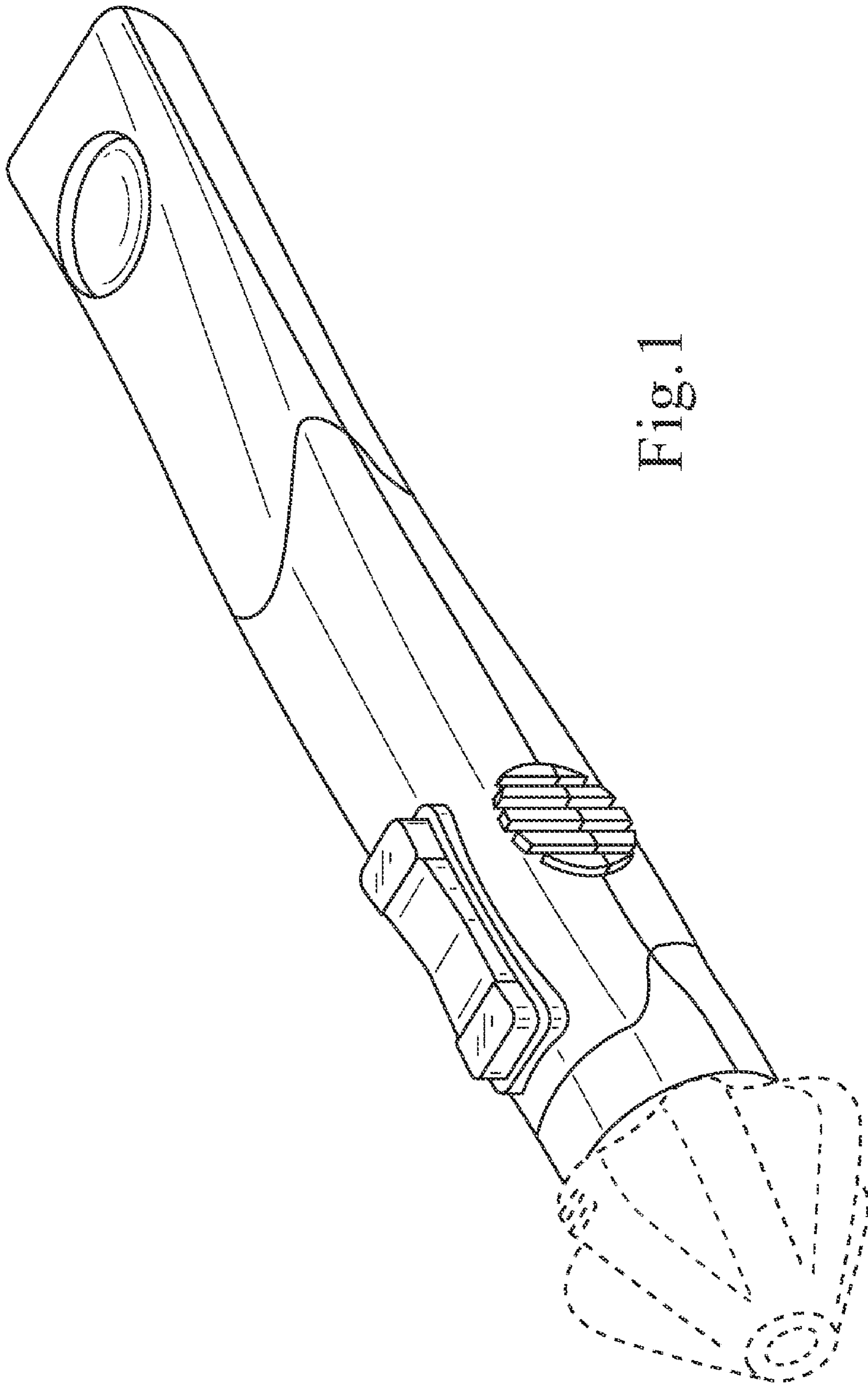


Fig. 1

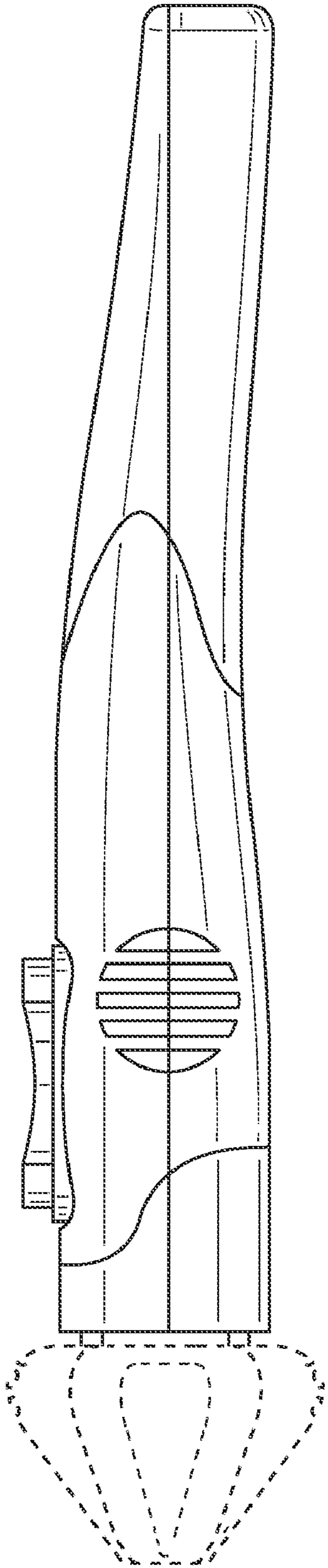


Fig. 2

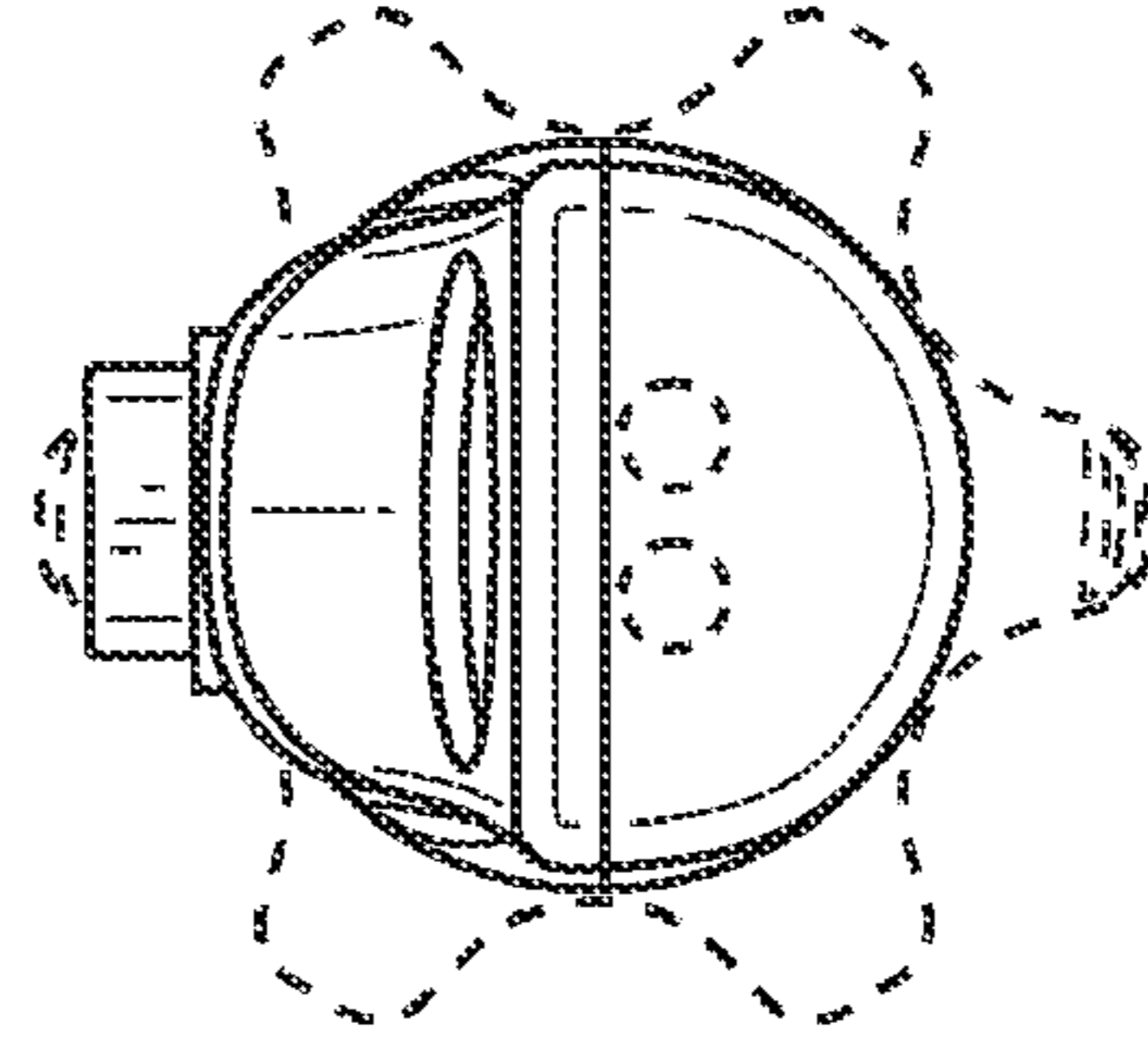


Fig. 4

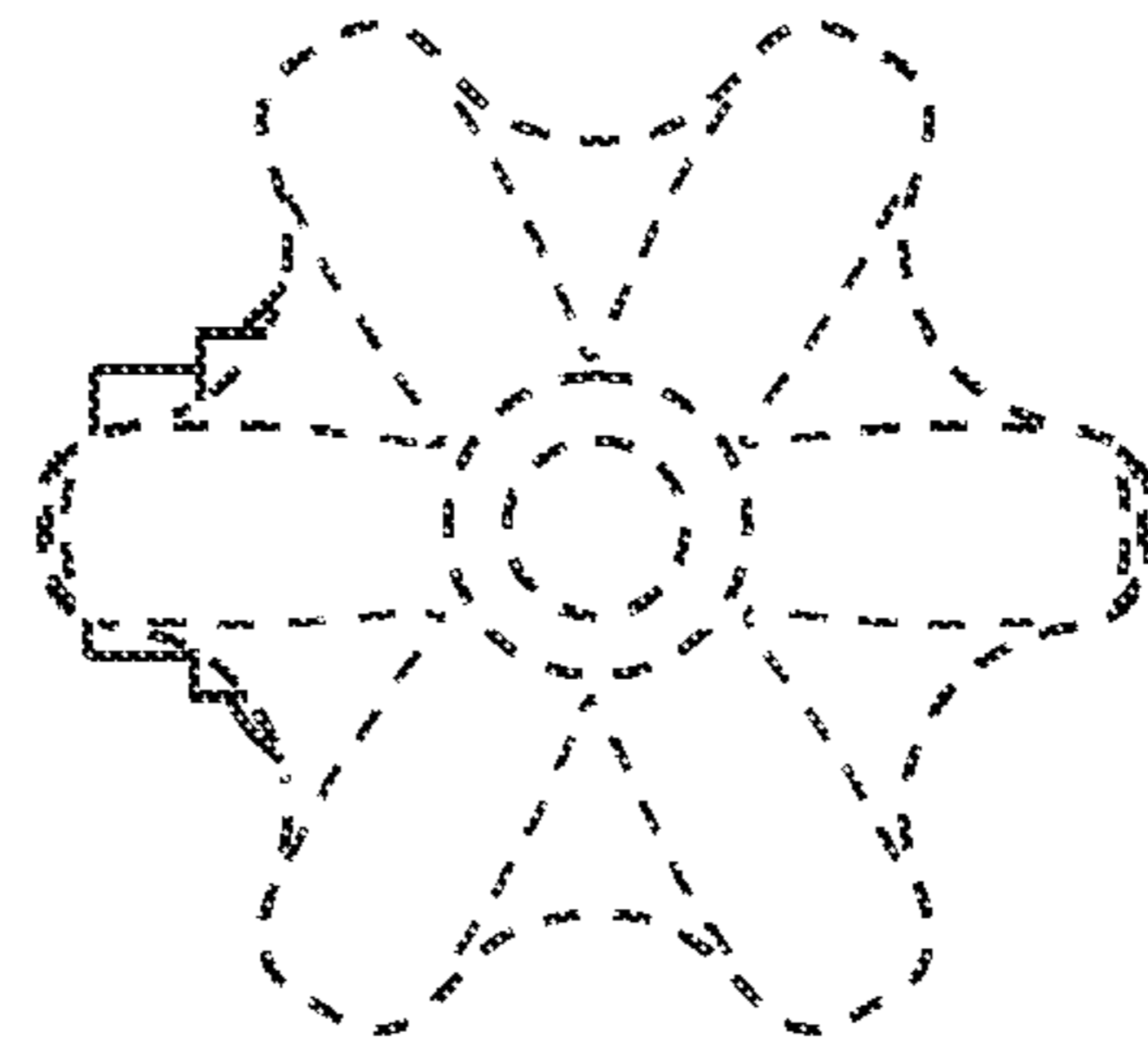


Fig. 3

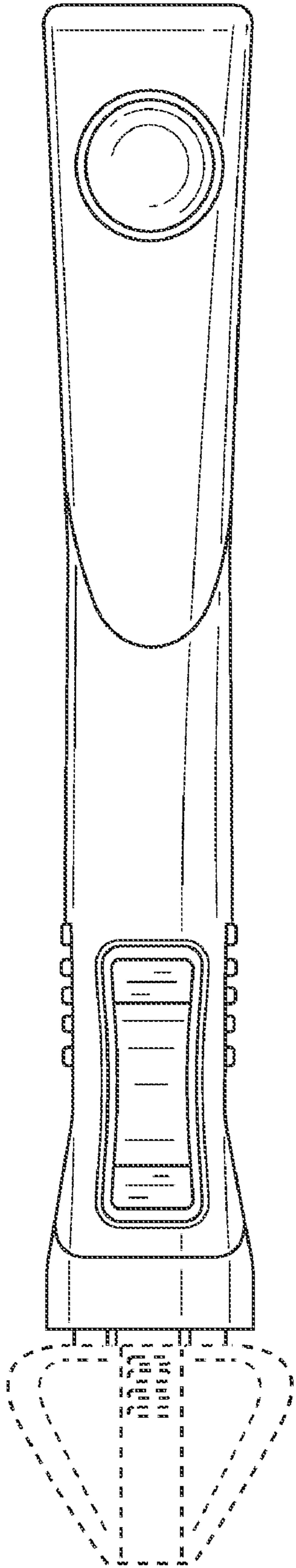


Fig. 5

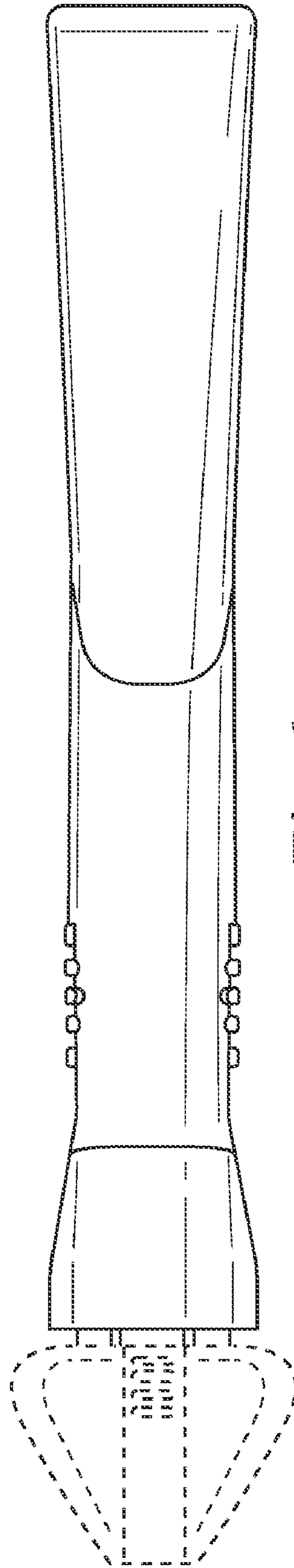


Fig. 6

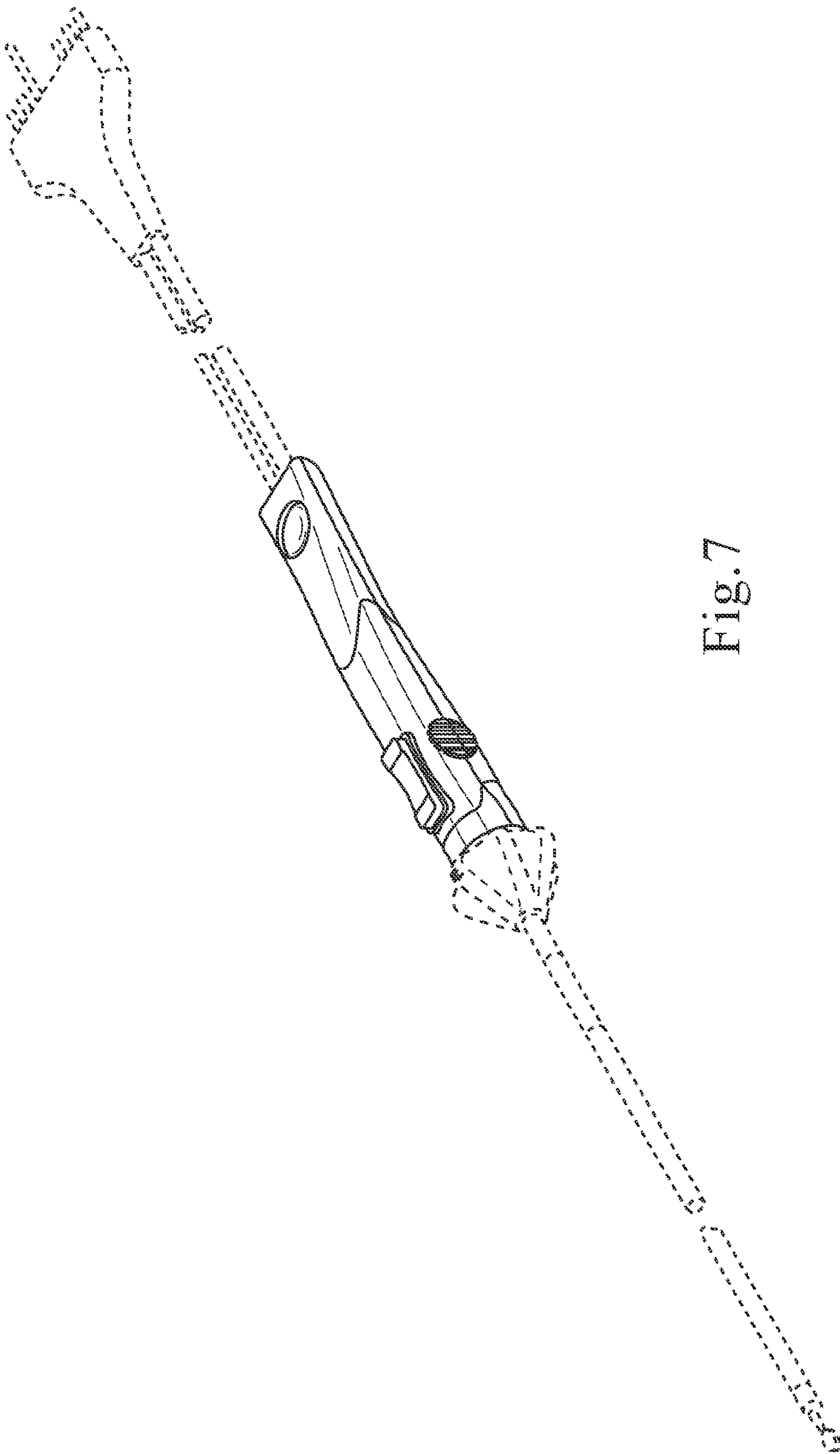


Fig. 7