

US00D566835S

(12) **United States Design Patent** (10) **Patent No.:** **US D566,835 S**
Andrews et al. (45) **Date of Patent:** **** Apr. 15, 2008**

(54) **CHIN MOUNTED PATIENT INTERFACE FRAME**

(75) Inventors: **Derrick Andrews**, Markleton, PA (US);
Jerome Matula, Jr., Monroeville, PA (US)

(73) Assignee: **RIC Investments, LLC**, Wilmington, DE (US)

(**) Term: **14 Years**

(21) Appl. No.: **29/265,504**

(22) Filed: **Sep. 1, 2006**

(51) **LOC (8) Cl.** **29-02**

(52) **U.S. Cl.** **D24/110.1**

(58) **Field of Classification Search** D24/110,
D24/110.1-110.6; 128/206.11, 206.23, 206.27,
128/207.11, 207.13, 207.18, 205.25, 200.14,
128/200.18, 200.21, 200.23

See application file for complete search history.

(56) **References Cited**

U.S. PATENT DOCUMENTS

2,241,535 A	5/1941	Boothby et al.	
4,437,462 A	3/1984	Piljay et al.	
4,671,271 A	6/1987	Bishop et al.	
4,677,977 A	7/1987	Wilcox	
4,782,832 A	11/1988	Trimble et al.	
4,827,923 A	5/1989	Bishop et al.	
4,944,310 A	7/1990	Sullivan	
5,269,296 A	12/1993	Landis	
5,295,480 A	3/1994	Zemo	
5,437,273 A	8/1995	Bates et al.	
5,560,354 A	10/1996	Berthon-Jones et al.	
5,687,713 A	11/1997	Bahr et al.	
5,724,965 A	3/1998	Handke et al.	
5,954,048 A	9/1999	Thornton	
6,012,455 A	1/2000	Goldstein	
6,016,807 A	1/2000	Lodge	
6,119,694 A *	9/2000	Correa et al.	128/207.13
6,324,701 B1	12/2001	Alexander et al.	
6,347,631 B1	2/2002	Hansen et al.	

6,431,172 B1	8/2002	Bordewick
6,470,886 B1	10/2002	Jestrabek-Hart
6,860,268 B2	3/2005	Bohn et al.
D505,489 S	5/2005	Sleeper
6,889,689 B1	5/2005	Neuman
6,926,004 B2	8/2005	Schumacher
7,047,971 B2	5/2006	Ho et al.

(Continued)

FOREIGN PATENT DOCUMENTS

EP 0 549 299 B1 3/2002

Primary Examiner—Ian Simmons
Assistant Examiner—Christopher Lee
(74) *Attorney, Agent, or Firm*—Michael W. Haas

(57) **CLAIM**

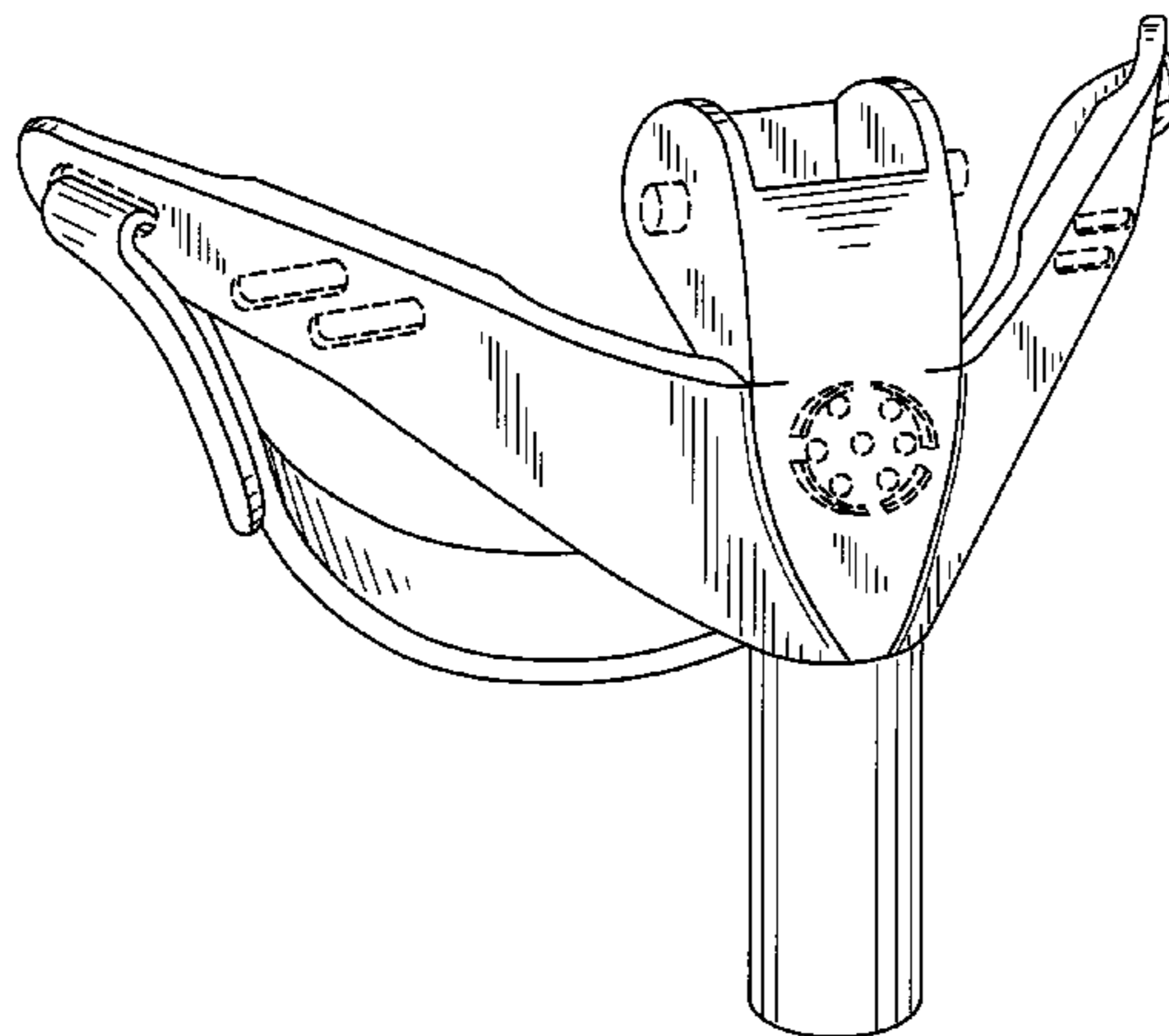
The ornamental design for a chin mounted patient interface frame, as shown and described.

DESCRIPTION

FIG. 1 is a front perspective view of an embodiment of a patient interface frame according to our new design;
FIG. 2 is a front elevational view of the patient interface frame shown in FIG. 1;
FIG. 3 is a rear perspective view of the patient interface frame shown in FIG. 1;
FIG. 4 is a top plan view of the patient interface frame shown in FIG. 1;
FIG. 5 is a bottom plan view of the patient interface frame shown in FIG. 1;
FIG. 6 is a left side elevational view of the patient interface frame shown in FIG. 1; and,
FIG. 7 is a right side elevational view of the patient interface frame shown in FIG. 1.

The portions drawn in broken lines are shown for illustrative purposes only and form no part of the claimed design.

1 Claim, 6 Drawing Sheets



US D566,835 S

Page 2

U.S. PATENT DOCUMENTS

2002/0189614	A1	12/2002	Dominguez	2005/0199242	A1	9/2005	Matula, Jr. et al.
2003/0145859	A1	8/2003	Bohn et al.	2005/0205096	A1	9/2005	Matula, Jr. et al.
2004/0083534	A1	5/2004	Ruiz et al.	2005/0241644	A1	11/2005	Gunaratnam et al.
2004/0226566	A1	11/2004	Gunaratnam et al.	2006/0042638	A1*	3/2006	Niklewski et al. 128/207.18

* cited by examiner

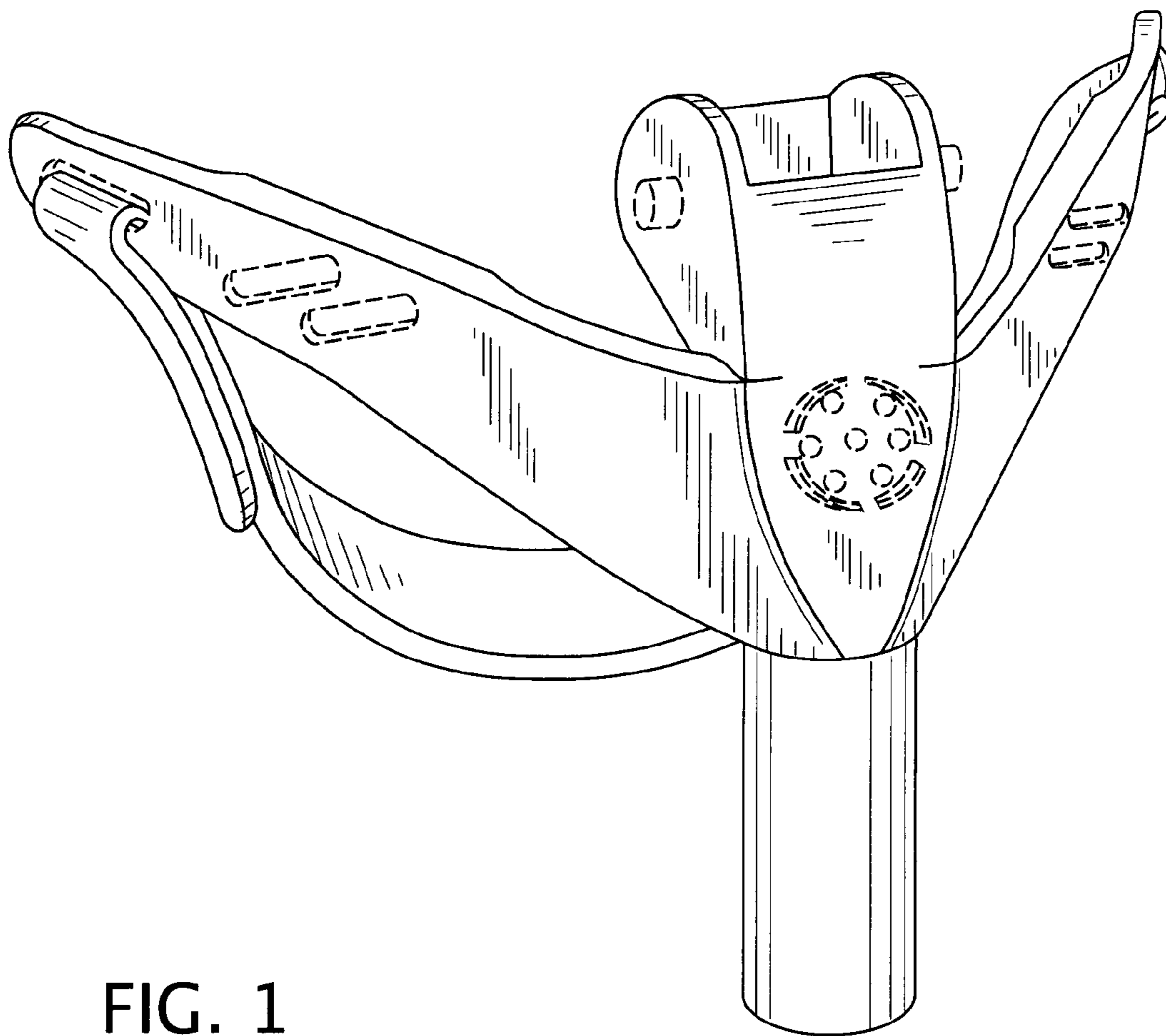


FIG. 1

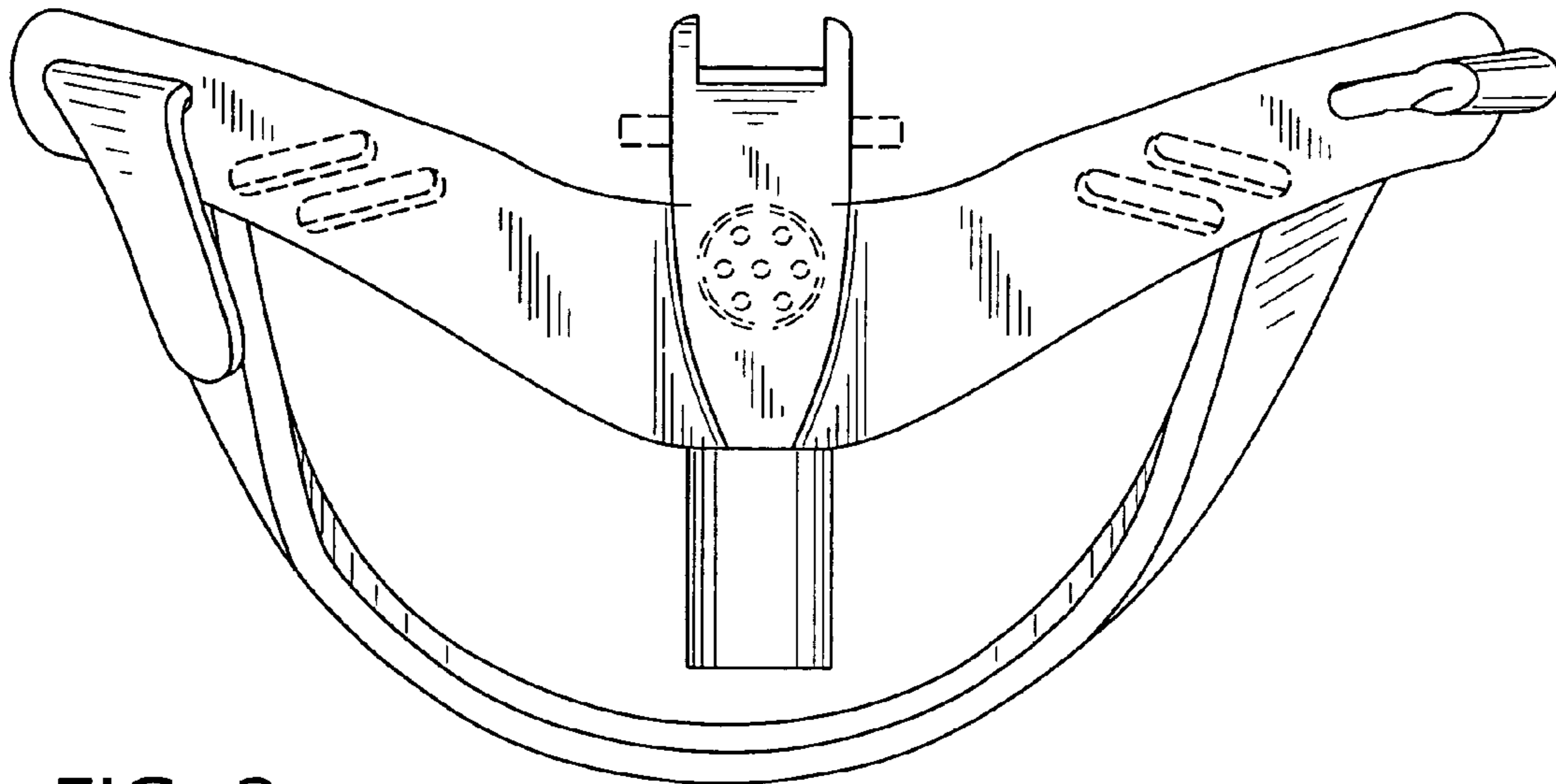


FIG. 2

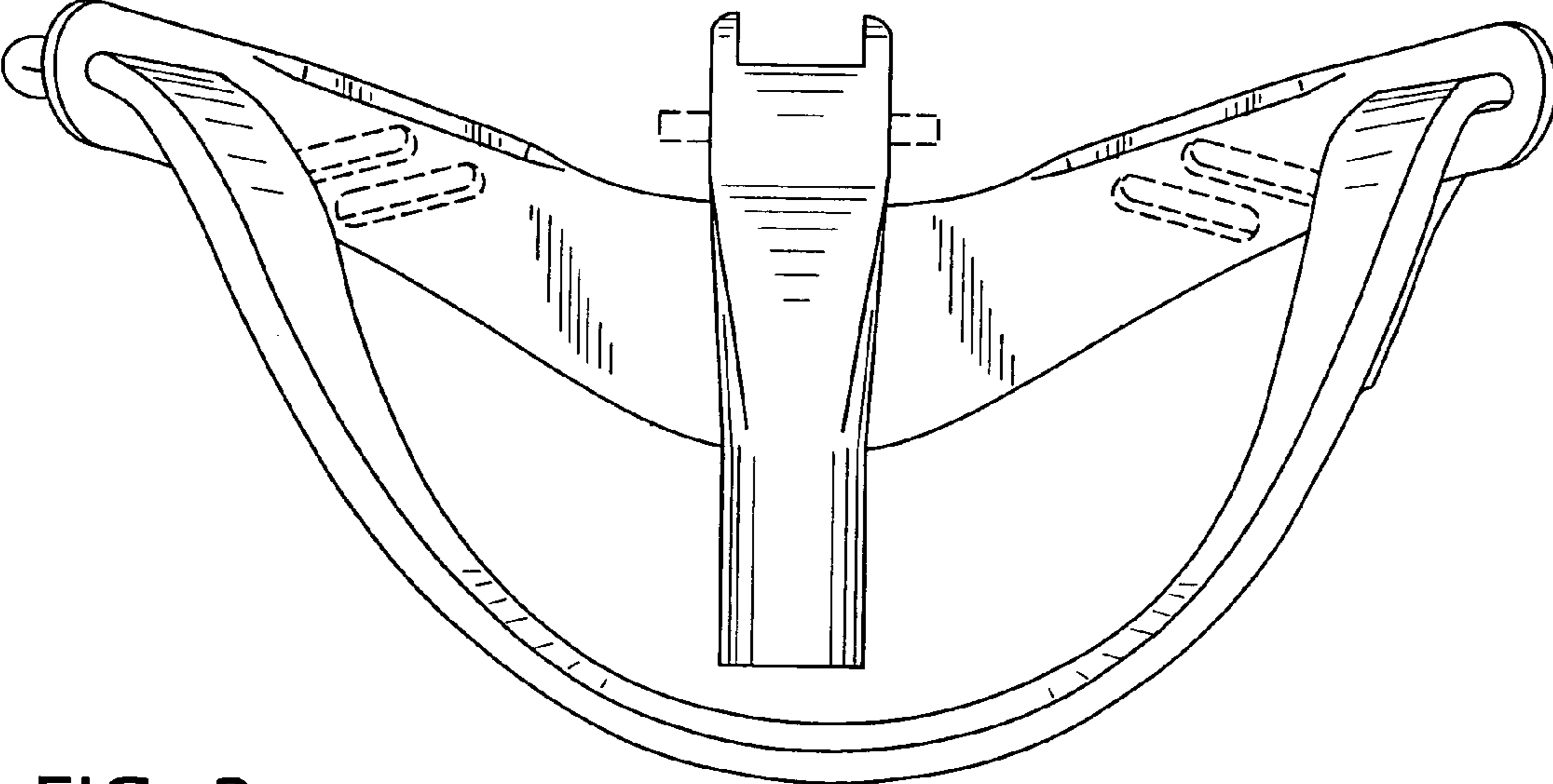


FIG. 3

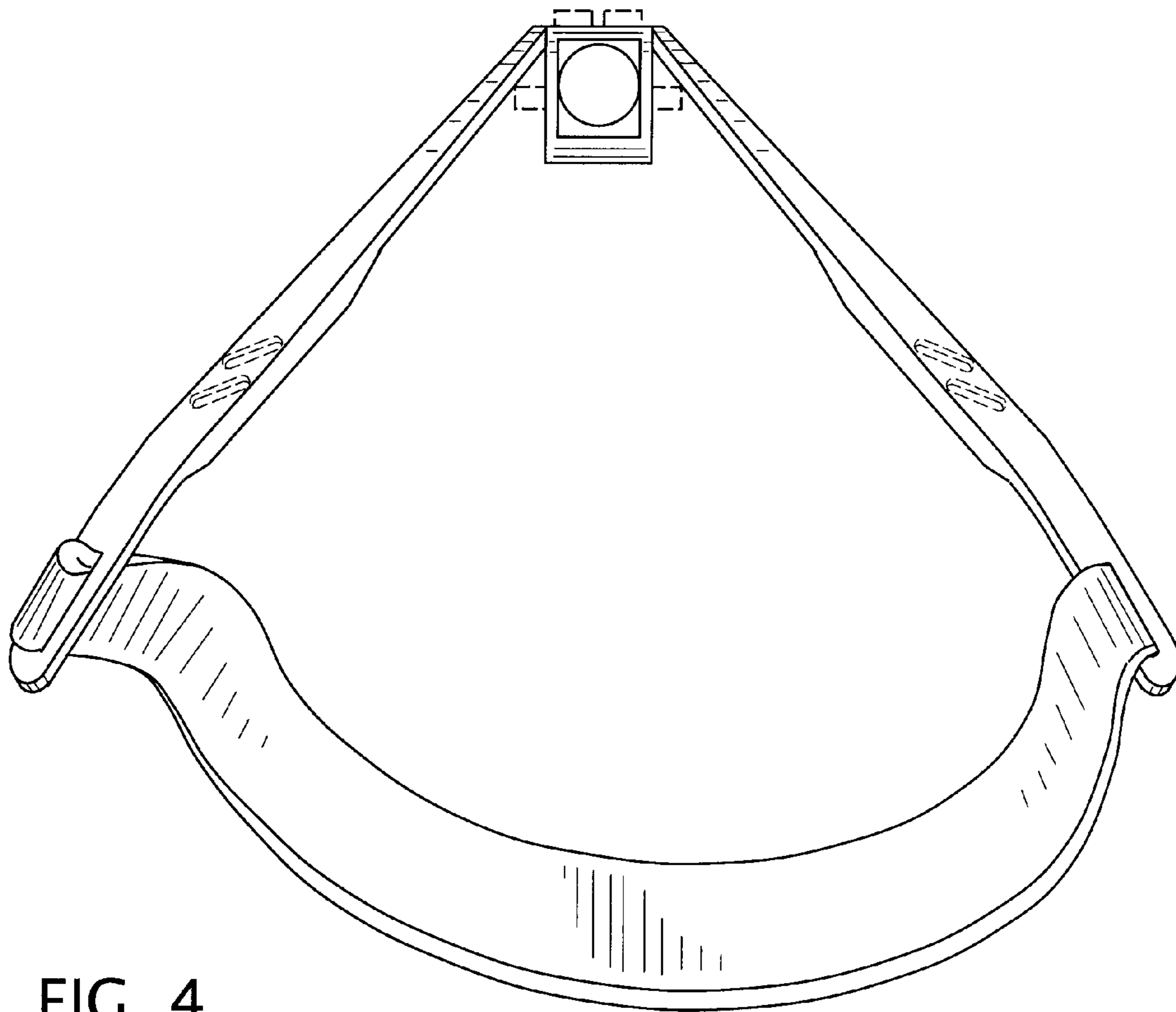


FIG. 4

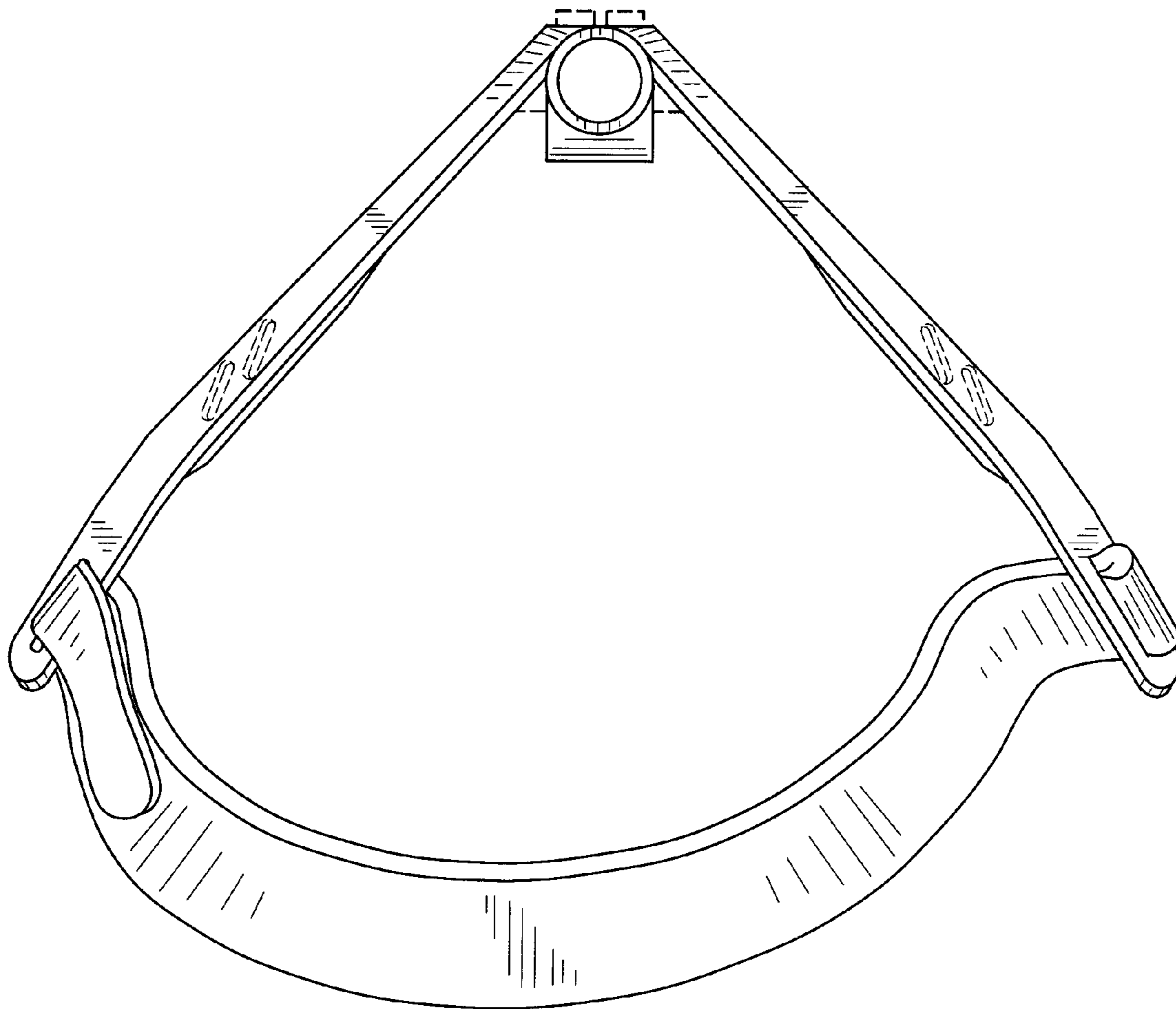


FIG. 5

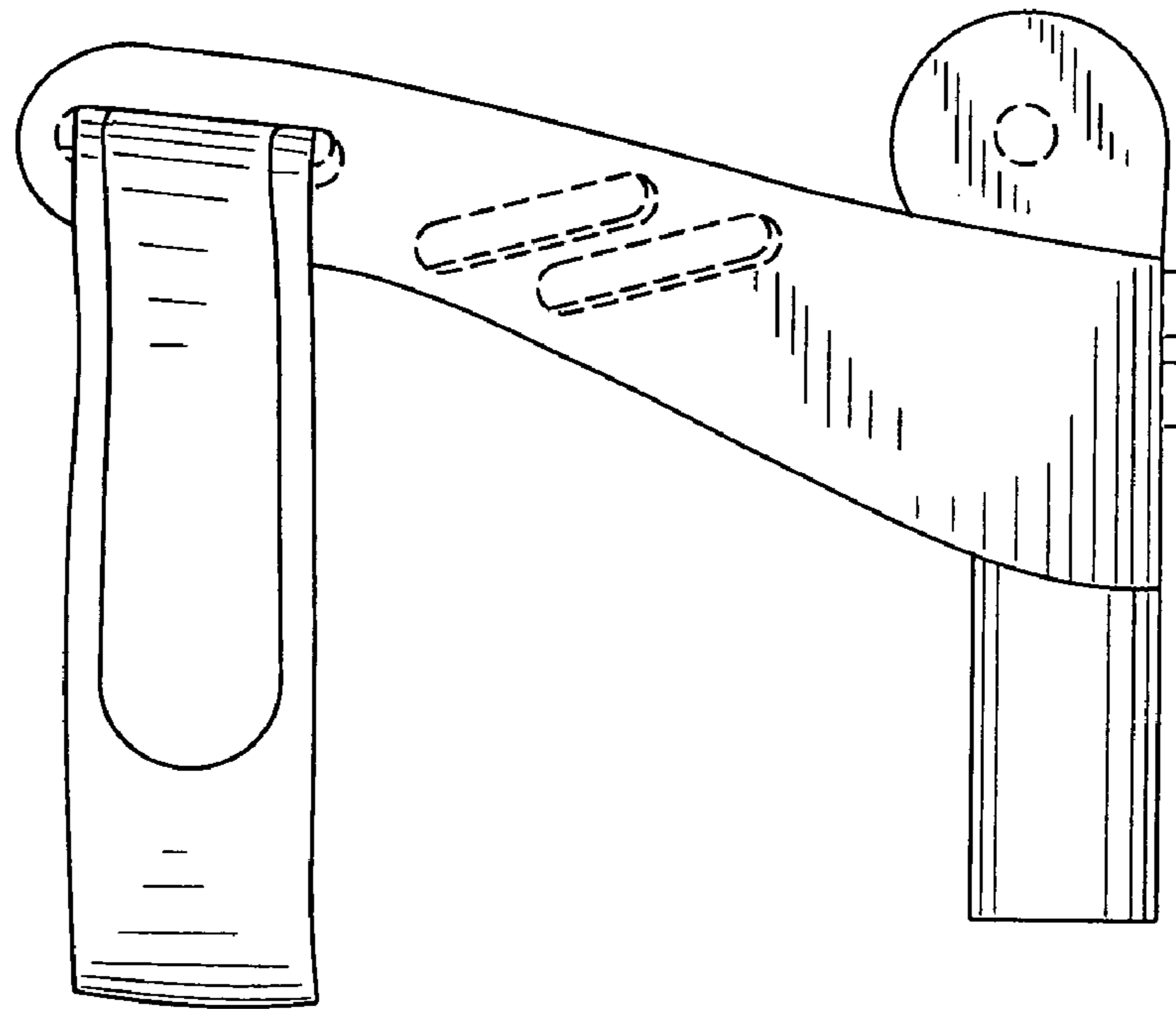


FIG. 6

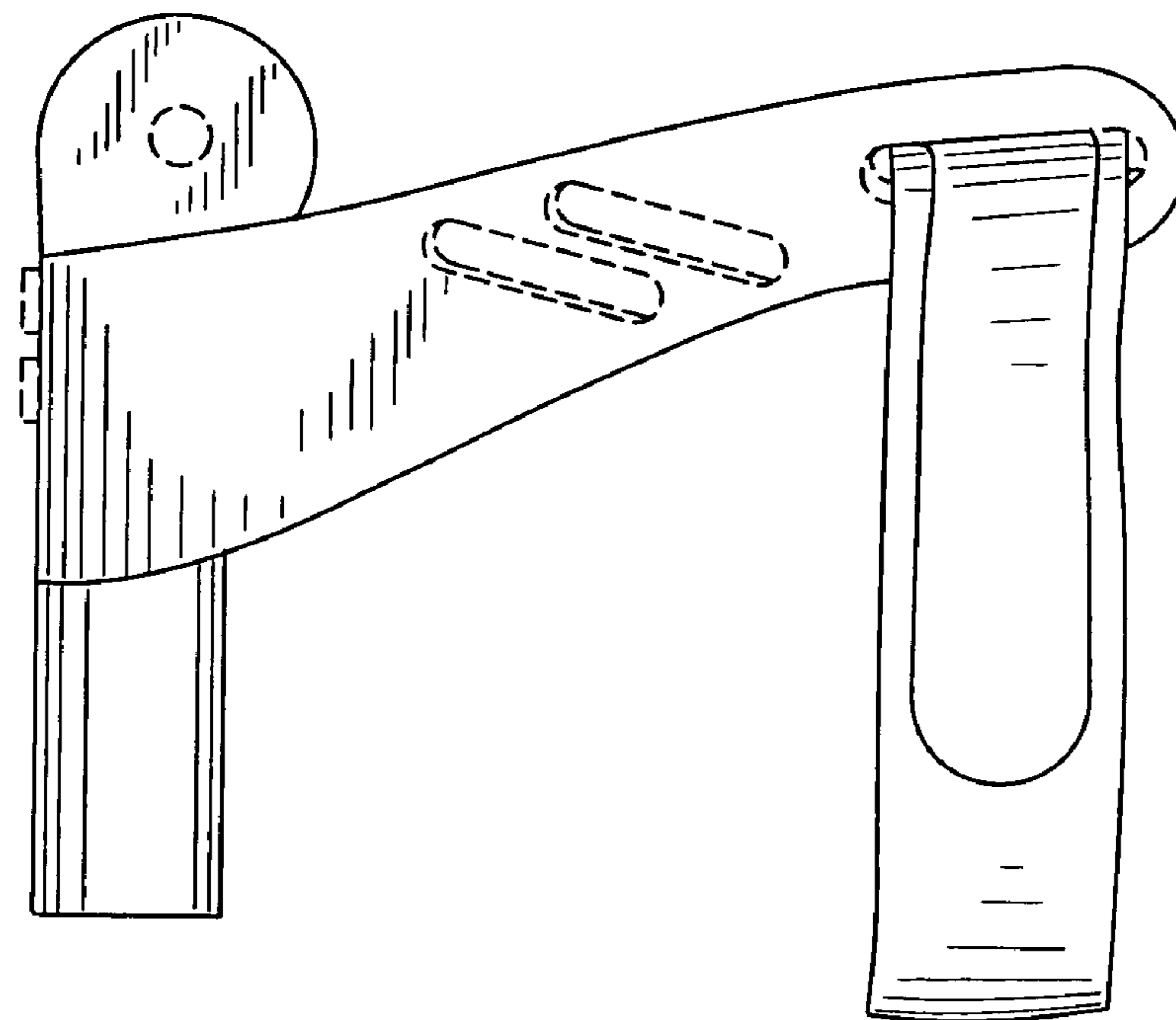


FIG. 7