



US00D566832S

(12) **United States Design Patent**
Thom et al.

(10) **Patent No.:** **US D566,832 S**
(45) **Date of Patent:** **** Apr. 15, 2008**

(54) **SPHERICAL VACUUM DESICCATOR**
(75) Inventors: **Paul Thom**, Butler, NJ (US); **David Landsberger**, Caldwell, NJ (US); **Francis Gomes**, Jersey City, NJ (US)

6,648,862 B2 11/2003 Watson
D486,035 S 2/2004 Morgan
D504,798 S 5/2005 Nipke et al.
D523,333 S 6/2006 Moretti

(73) Assignee: **Bel-Art Products, Inc.**, Pequannock, NJ (US)

OTHER PUBLICATIONS

Bel-Art Products Catalog No. 204, 2004, pp. 33-40.
Bel-Art Products Catalog No. 198, 1998, pp. 98-111.

(**) Term: **14 Years**

Primary Examiner—Ian Simmons
Assistant Examiner—Christopher Lee

(21) Appl. No.: **29/291,906**

(74) *Attorney, Agent, or Firm*—Lawrence G. Fridman

(22) Filed: **Sep. 21, 2007**

(57) **CLAIM**

Related U.S. Application Data

The ornamental design for a spherical vacuum desiccator, as shown.

(62) Division of application No. 29/240,057, filed on Oct. 7, 2005, now Pat. No. Des. 556,895.

DESCRIPTION

(51) **LOC (8) Cl.** **24-01**
(52) **U.S. Cl.** **D24/108**
(58) **Field of Classification Search** D24/107,
D24/108, 111; D7/402; 604/317, 319, 119,
604/326; 600/562; 34/92; 220/231
See application file for complete search history.

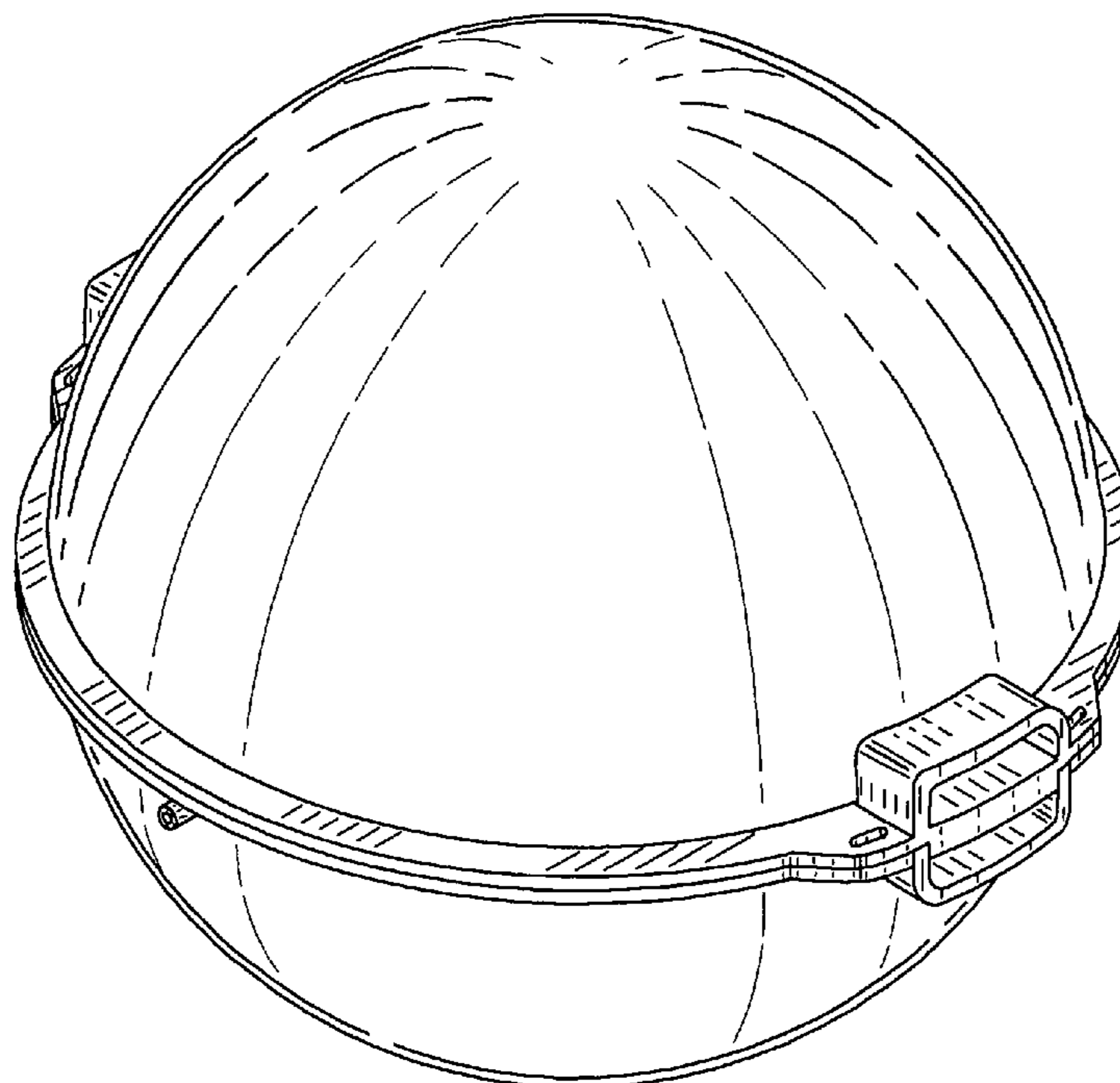
FIG. 1 is a top perspective view showing a spherical vacuum desiccator according to our new design;
FIG. 2 is a front elevational view thereof;
FIG. 3 is a right-hand side elevational view thereof;
FIG. 4 is a left-hand side elevational view thereof;
FIG. 5 is a top plan view thereof;
FIG. 6 is a bottom plan view thereof;
FIG. 7 is a rear elevational view thereof; and,
FIG. 8 is a bottom perspective view thereof.

(56) **References Cited**

U.S. PATENT DOCUMENTS

2,742,709 A 4/1956 DeWoody et al.
D207,982 S 6/1967 Petertil
5,073,172 A 12/1991 Fell
D444,663 S 7/2001 Samaras

1 Claim, 5 Drawing Sheets



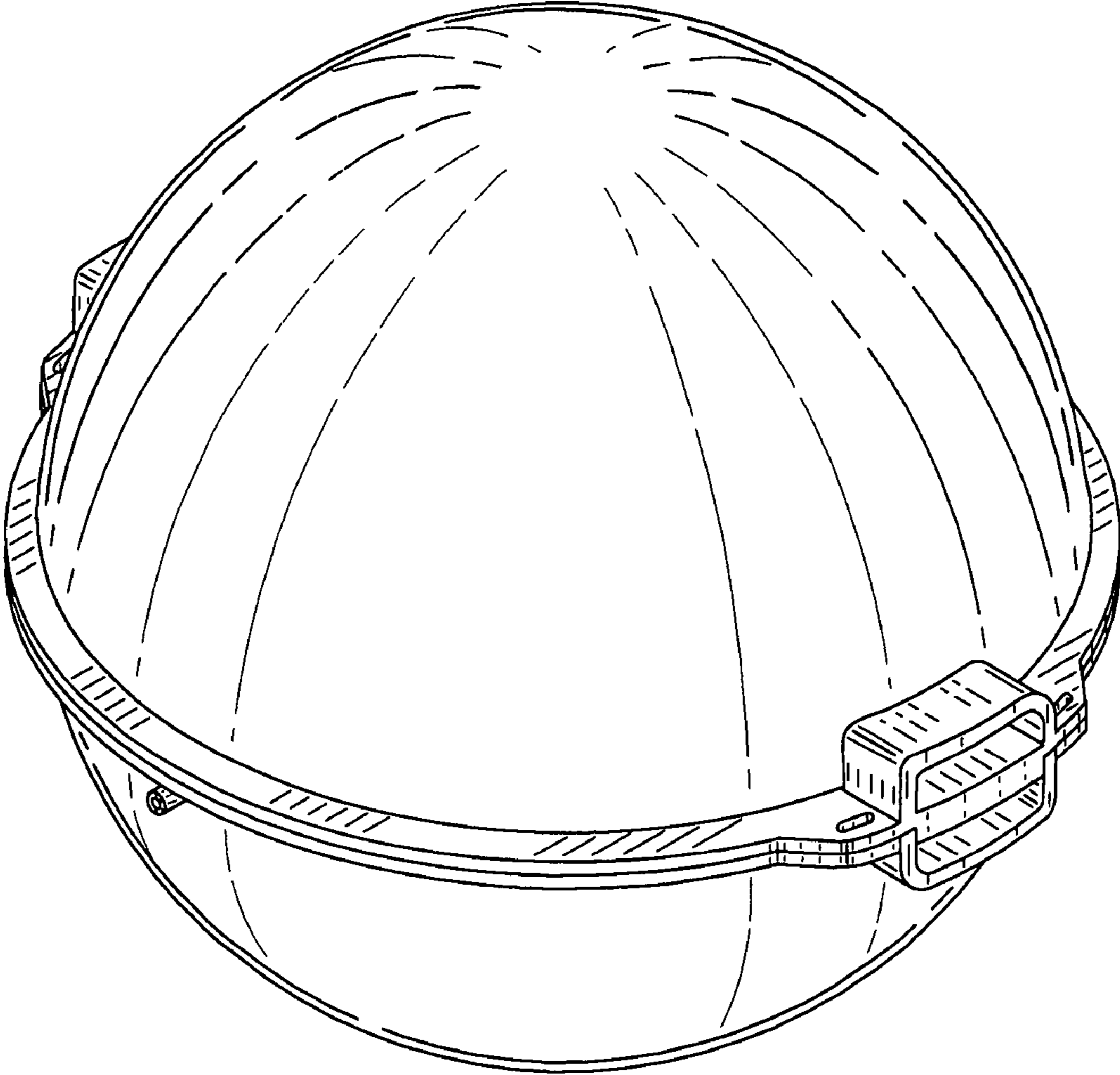


FIG. 1

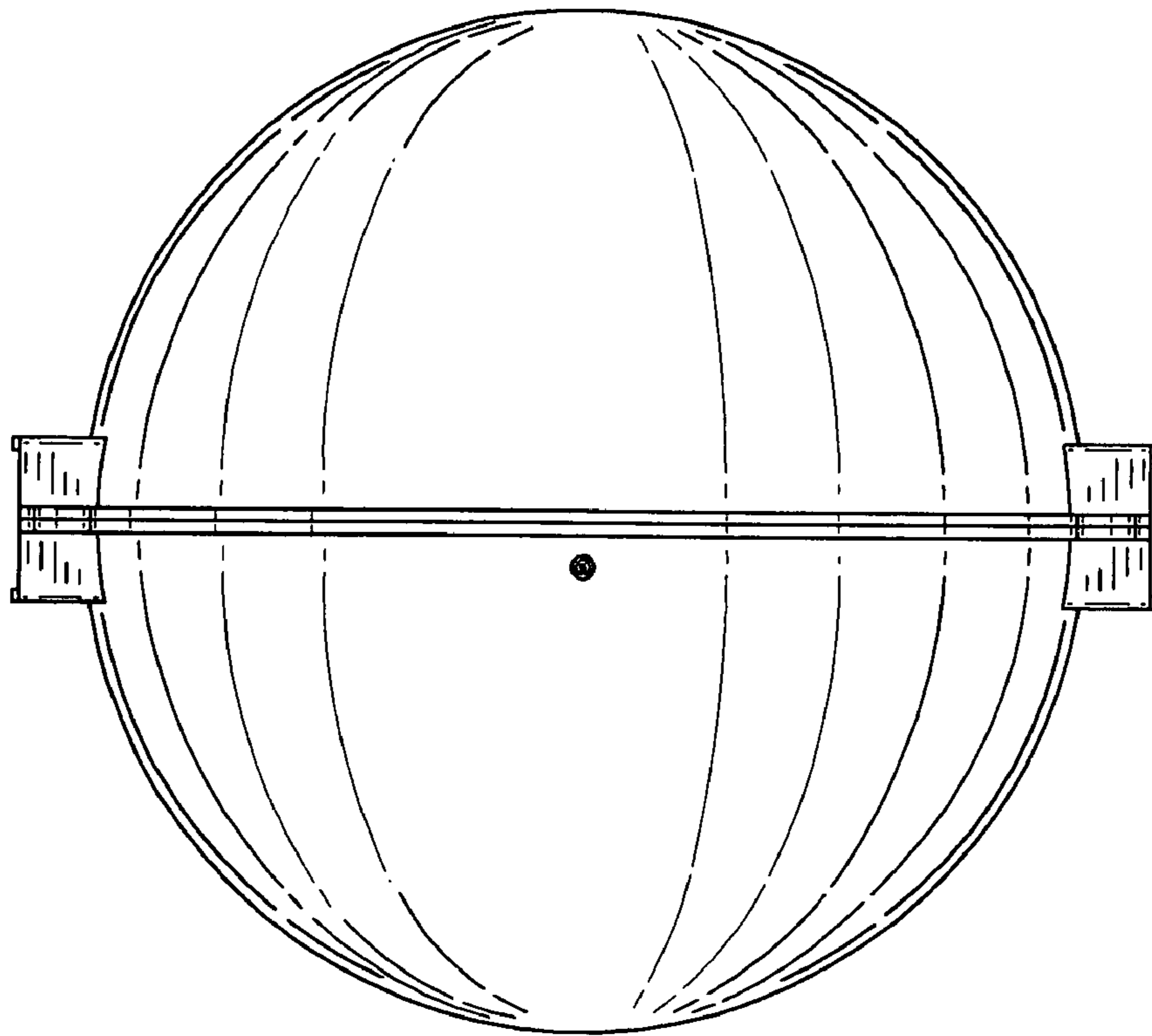


FIG. 2

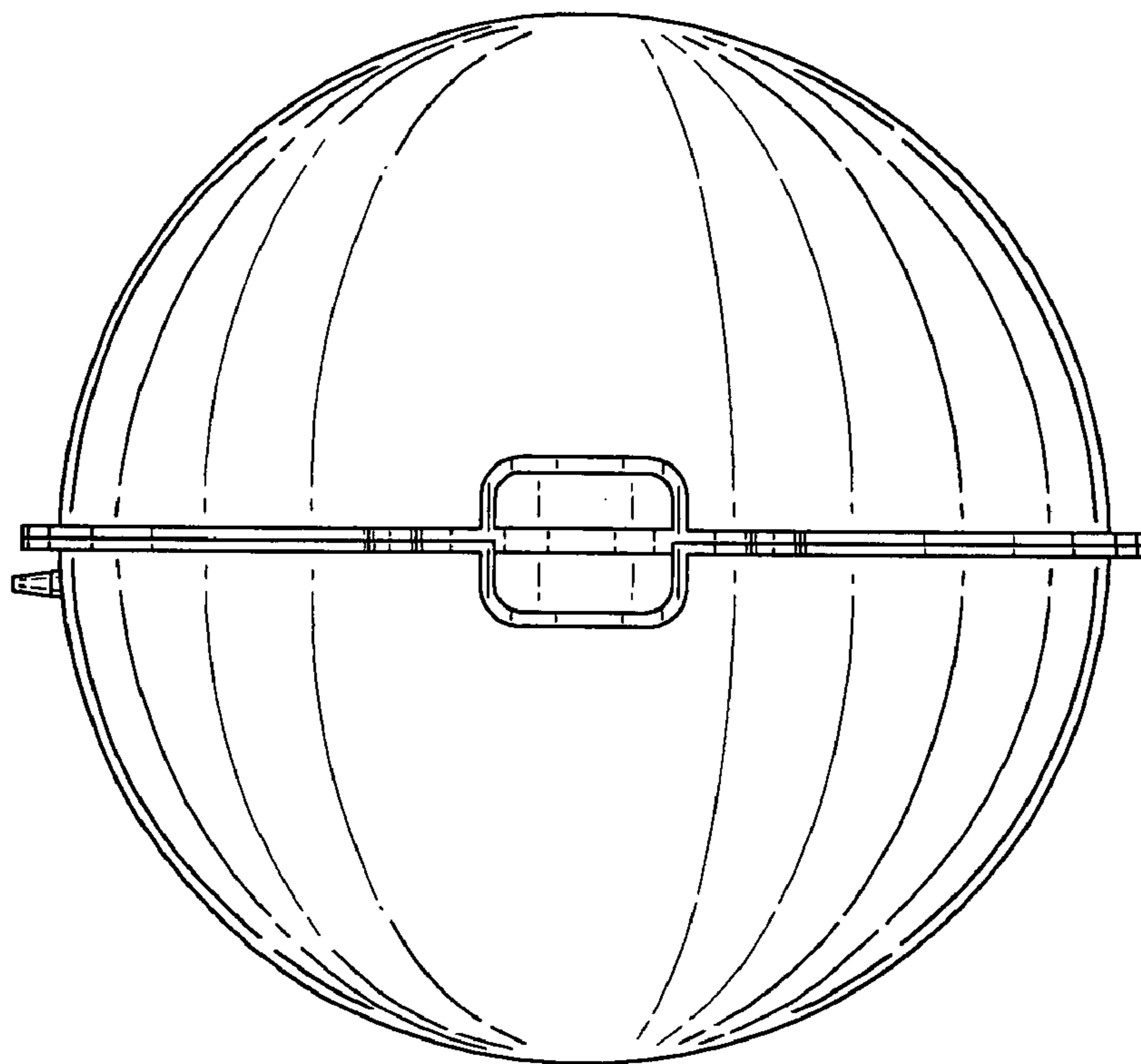


FIG. 3

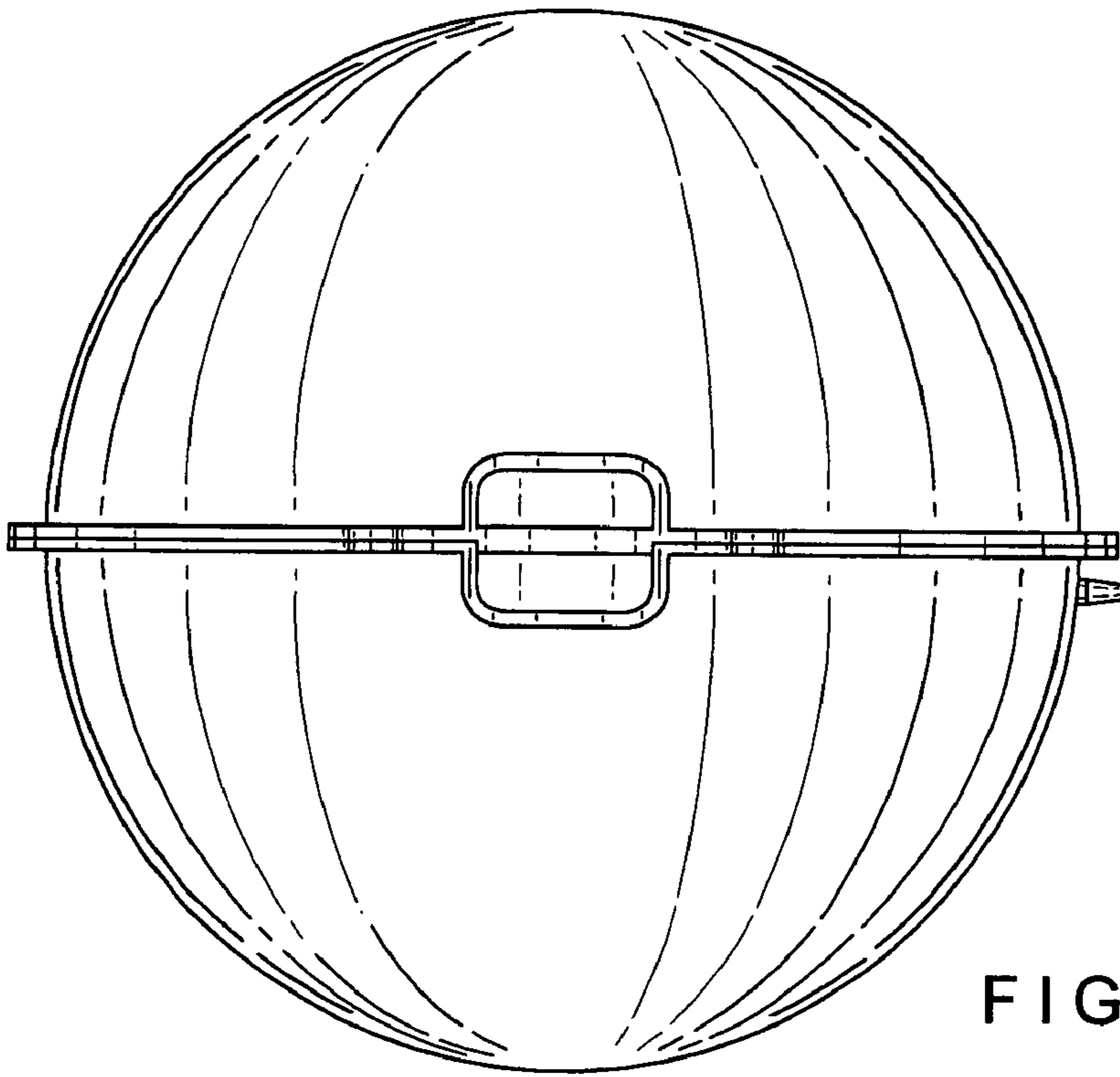


FIG. 4

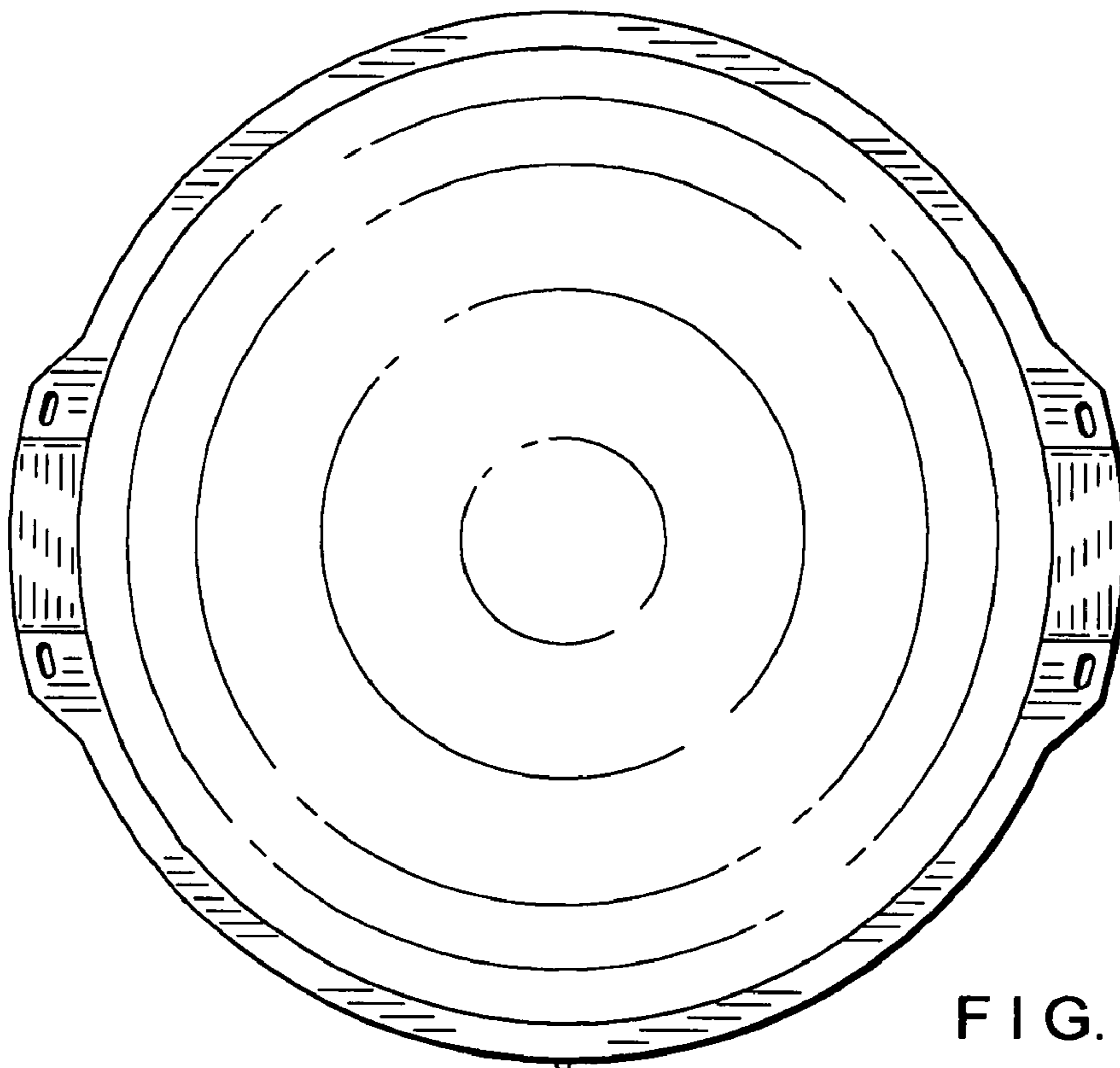


FIG. 5

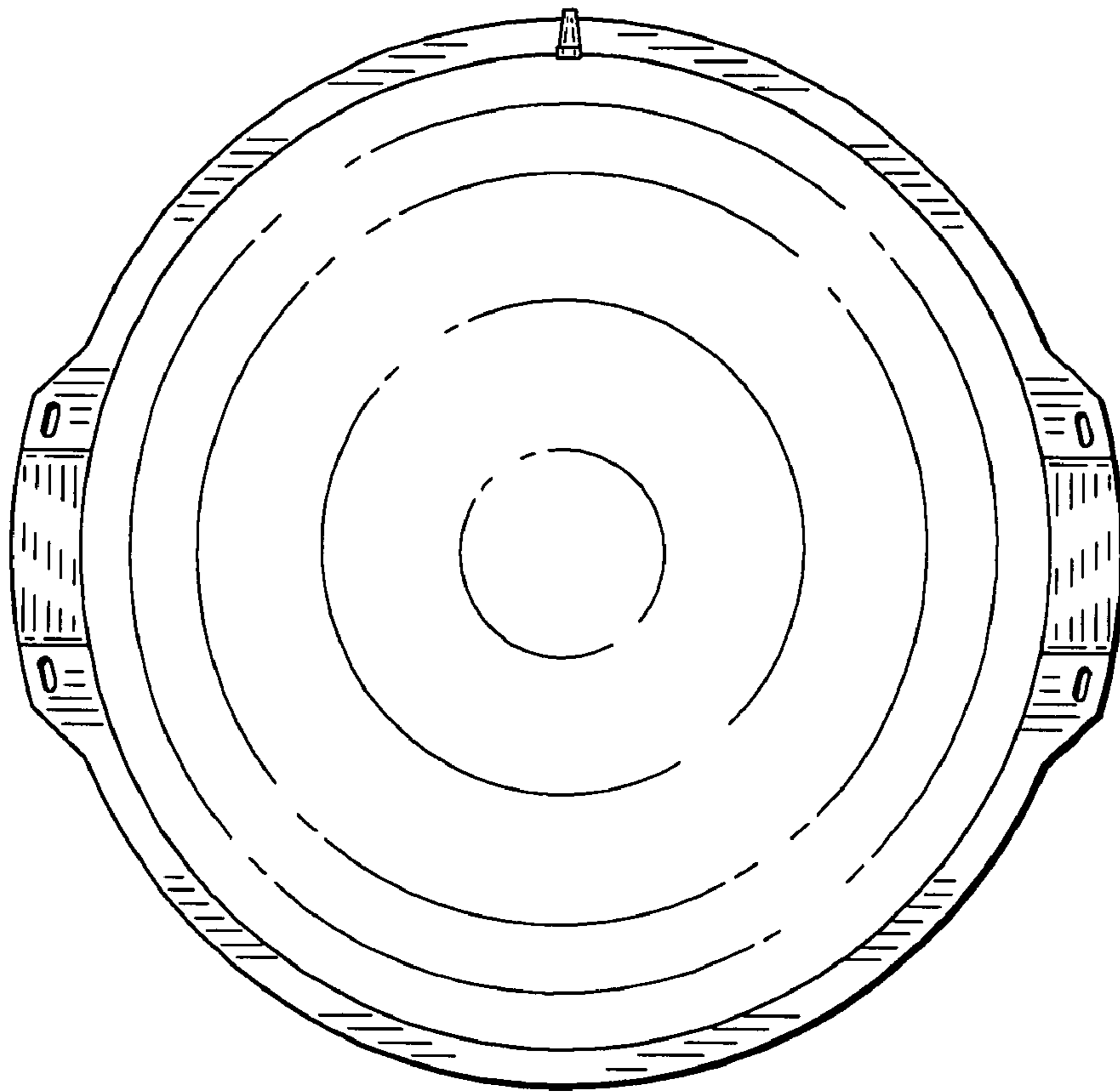


FIG. 6

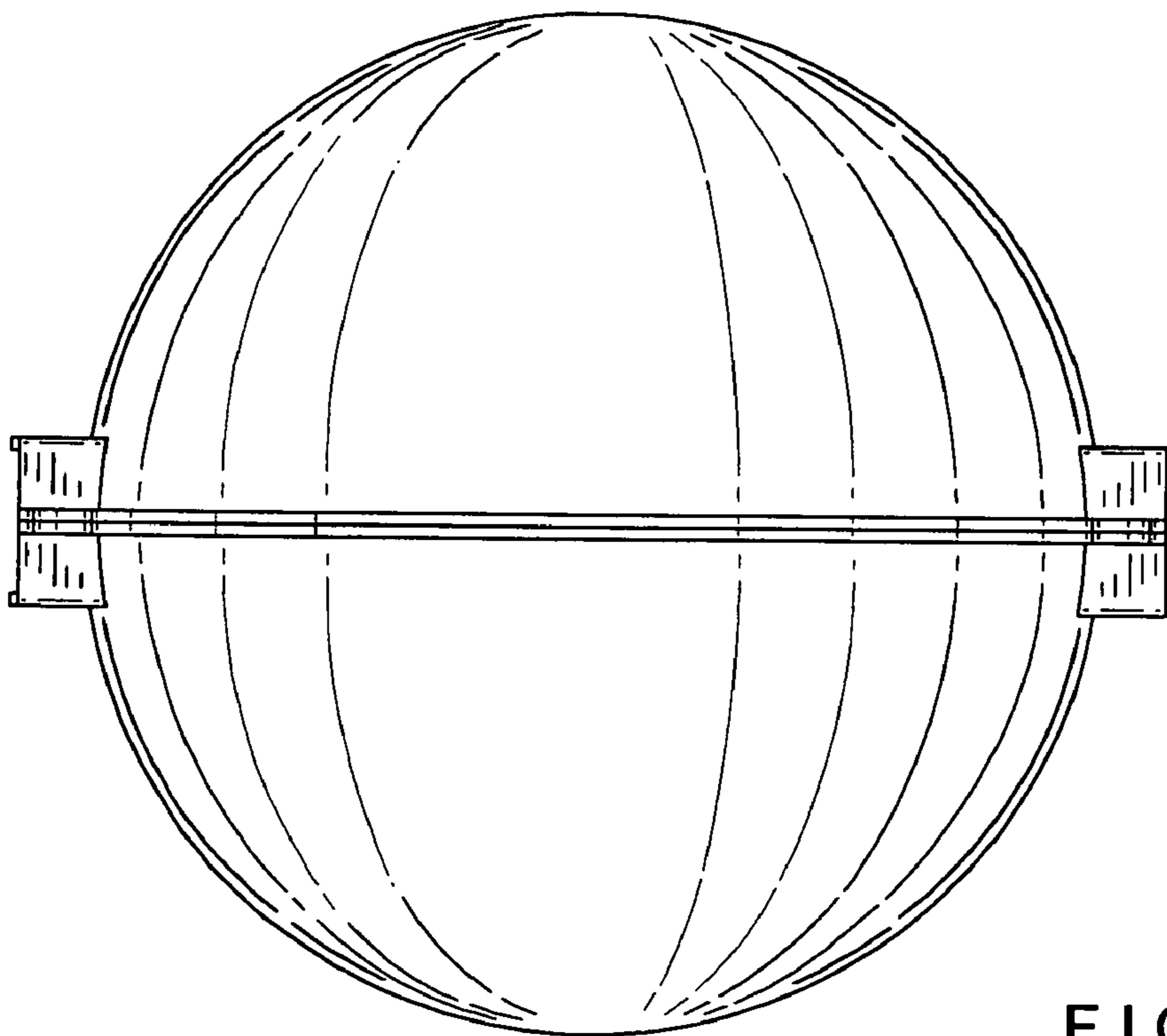


FIG. 7

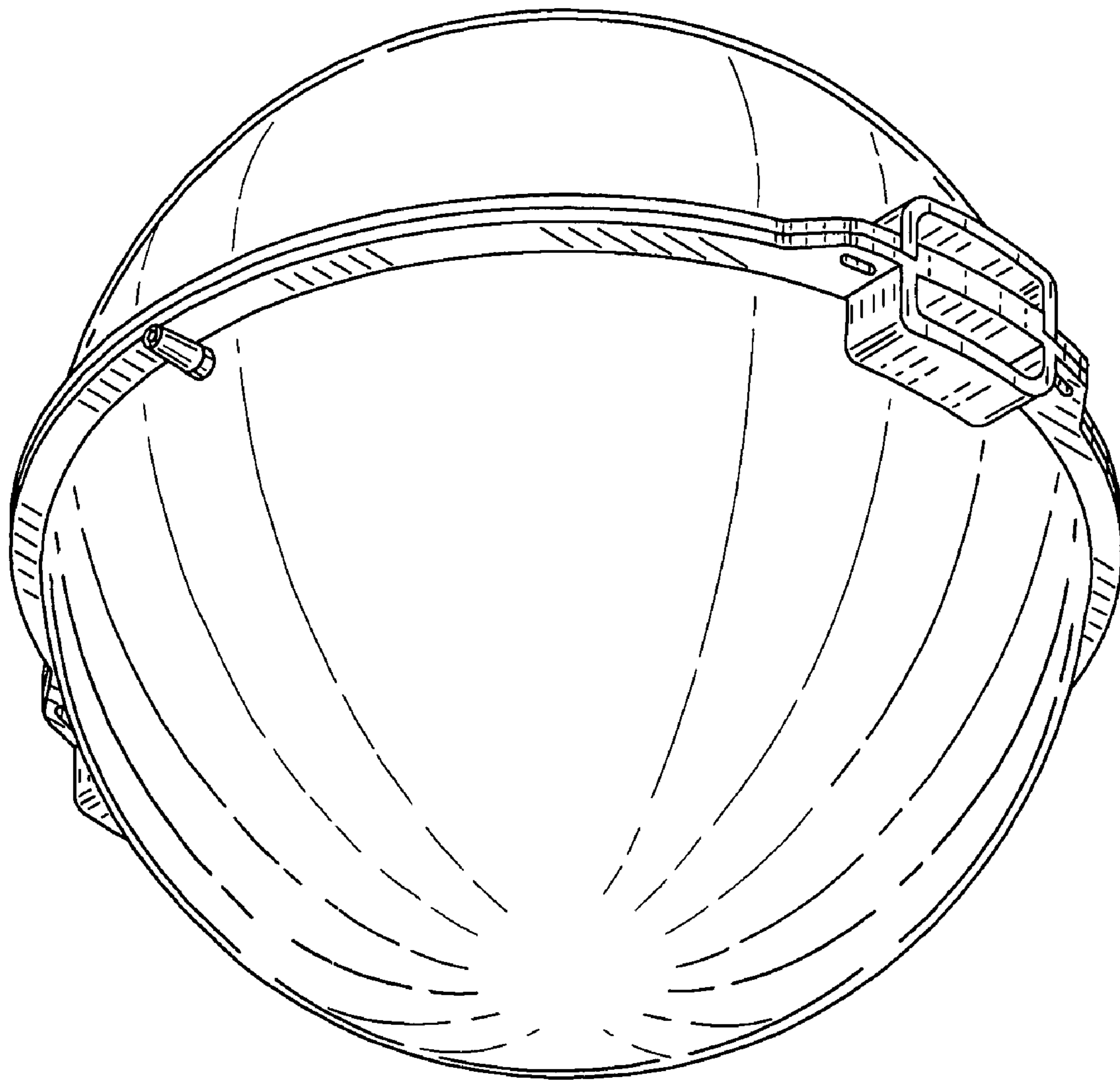


FIG. 8