



US00D566829S

(12) **United States Design Patent**  
**Parker et al.**

(10) **Patent No.: US D566,829 S**  
(45) **Date of Patent: \*\* Apr. 15, 2008**

(54) **HIGH EFFICIENCY AIR CONDITIONER  
CONDENSER TWISTED FAN BLADES AND  
HUB**

(75) Inventors: **Danny S. Parker**, Cocoa Beach, FL  
(US); **John Sherwin**, Cocoa Beach, FL  
(US); **Bart Hibbs**, Simi Valley, CA  
(US)

(73) Assignee: **Research Foundation of the  
University of Central Florida, Inc.**,  
Orlando, FL (US)

(\*\*) Term: **14 Years**

(21) Appl. No.: **29/282,992**

(22) Filed: **Aug. 3, 2007**

**Related U.S. Application Data**

(62) Division of application No. 29/268,980, filed on Nov. 17, 2006, now Pat. No. Des. 555,782, which is a division of application No. 29/231,433, filed on Jun. 3, 2005, now Pat. No. Des. 539,413, which is a division of application No. 29/178,526, filed on Mar. 27, 2003, now Pat. No. Des. 510,998.

(51) **LOC (8) Cl.** ..... **23-04**

(52) **U.S. Cl.** ..... **D23/411**

(58) **Field of Classification Search** ..... D23/411,  
D23/377, 379, 385, 413; 416/5  
See application file for complete search history.

(56) **References Cited**

**U.S. PATENT DOCUMENTS**

2,638,757 A	5/1953	Borgerd
3,995,442 A	12/1976	Cavezza
4,470,271 A	9/1984	Draper
4,526,506 A	7/1985	Koger
4,971,143 A	11/1990	Hogan
4,971,520 A	11/1990	Van Houten

5,320,493 A	6/1994	Shih	
5,624,234 A	4/1997	Neely	
5,809,800 A	9/1998	Deal	
6,129,528 A	10/2000	Bradbury	
6,185,954 B1	2/2001	Smiley	
D510,998 S *	10/2005	Parker et al.	..... D23/411
D539,413 S *	3/2007	Parker et al.	..... D23/411
D555,782 S *	11/2007	Parker et al.	..... D23/411

**OTHER PUBLICATIONS**

Kernstock, "Slashing Through The Noise Barrier" Defense Daily Network—Rotor & Wing's Cover Story, Aug. 1999, pp. 1-11.

\* cited by examiner

*Primary Examiner*—Lisa Lichtenstein

(74) *Attorney, Agent, or Firm*—Brian S. Steinberger; Law Offices of Brian S. Steinberger, P.A.

(57) **CLAIM**

The ornamental design for a high efficiency air conditioner condenser twisted fan blades and hub, as shown and described.

**DESCRIPTION**

FIG. 1 is a perspective view of a high efficiency air conditioner condenser twisted fan blades with hub.

FIG. 2 is a front side elevation view of the high efficiency air conditioner condenser twisted fan blades and hub of FIG. 1.

FIG. 3 is a left side end view of the high efficiency air conditioner condenser twisted fan blades and hub of FIG. 1.

FIG. 4 is a right side end view of the high efficiency air conditioner condenser twisted fan blades and hub of FIG. 1.

FIG. 5 is a bottom elevation view of the high efficiency air conditioner condenser twisted fan blades and hub of FIG. 1; and,

FIG. 6 is a top elevation view of the high efficiency air conditioner condenser twisted fan blades and hub of FIG. 1.

**1 Claim, 3 Drawing Sheets**

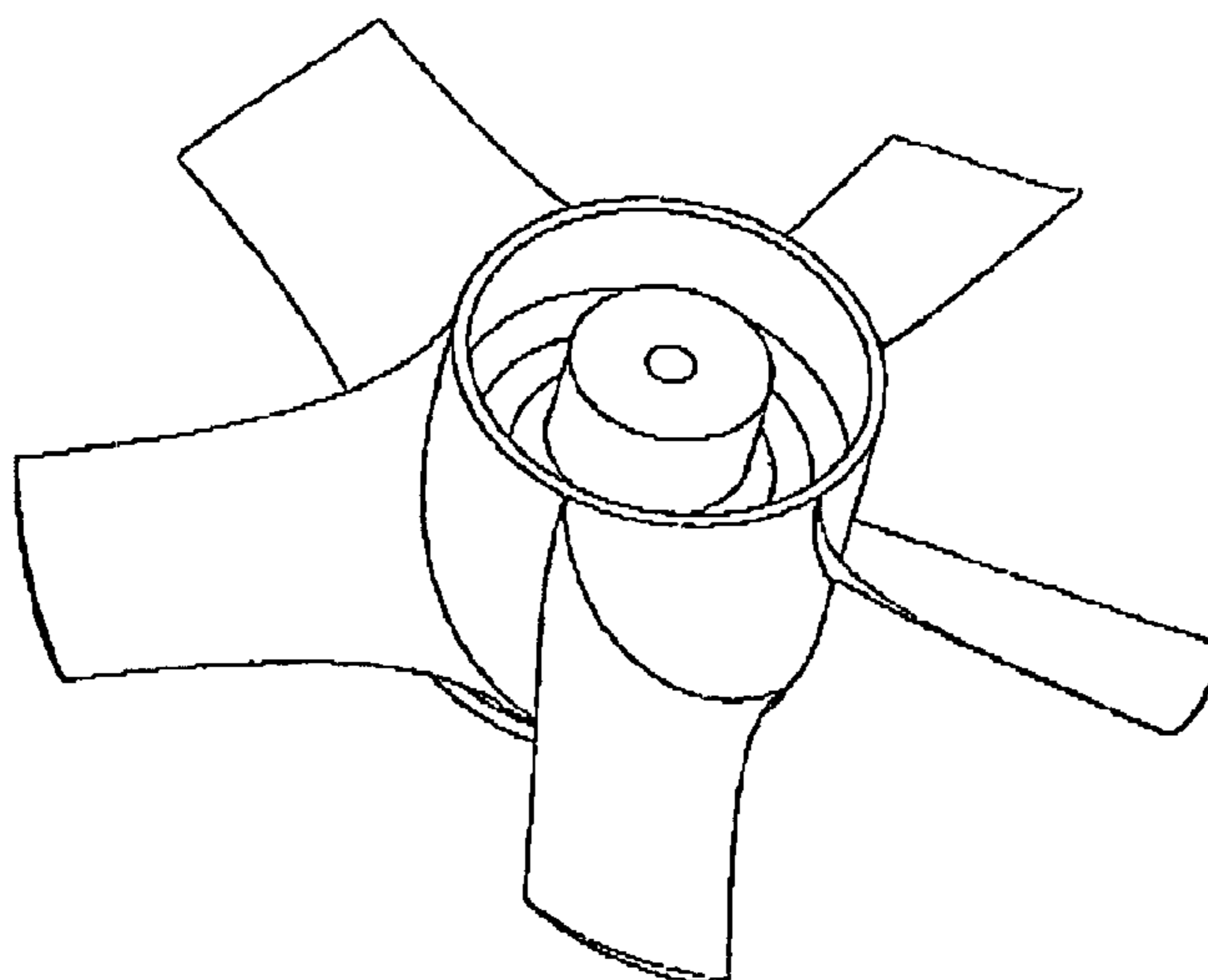


FIG. 1

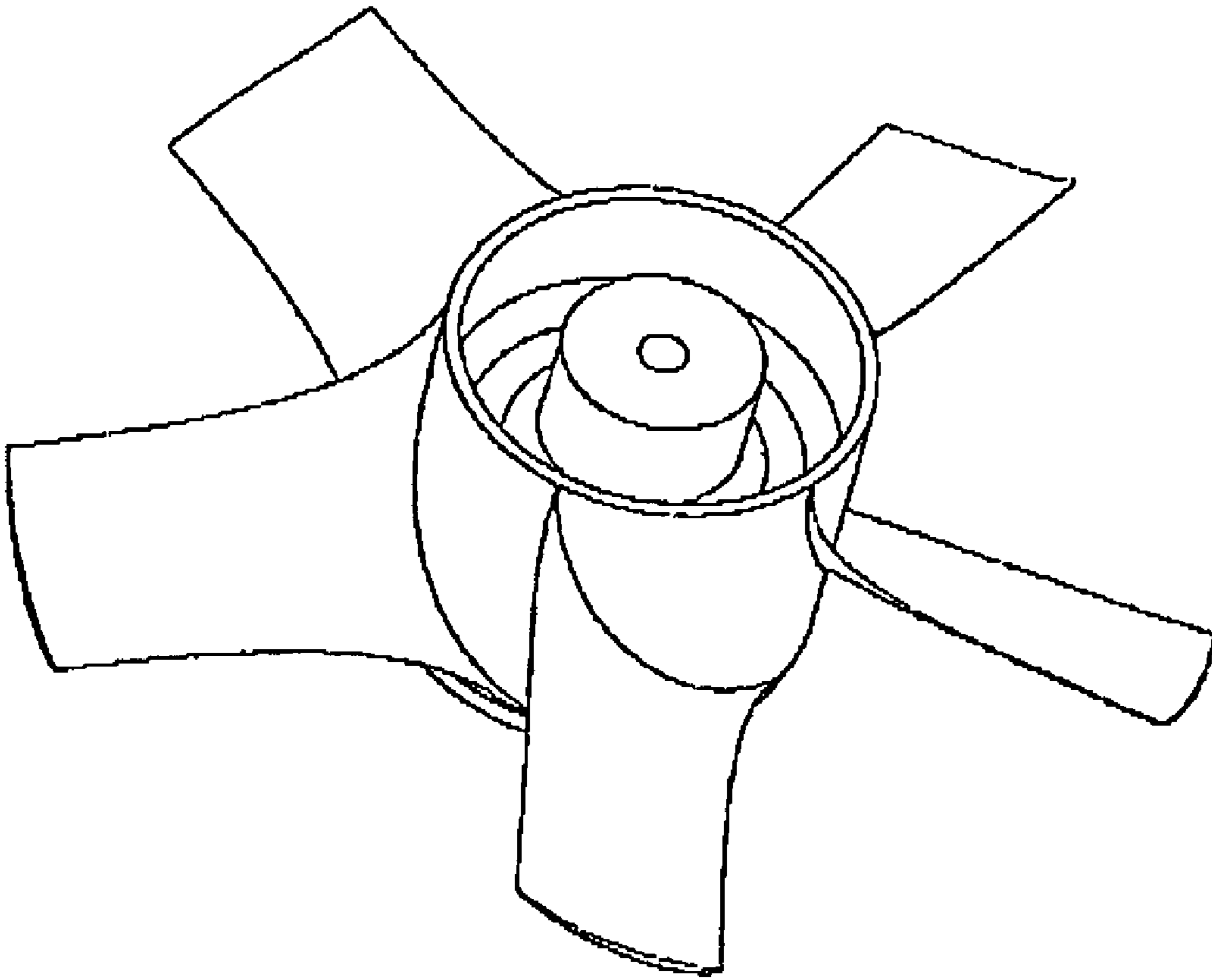
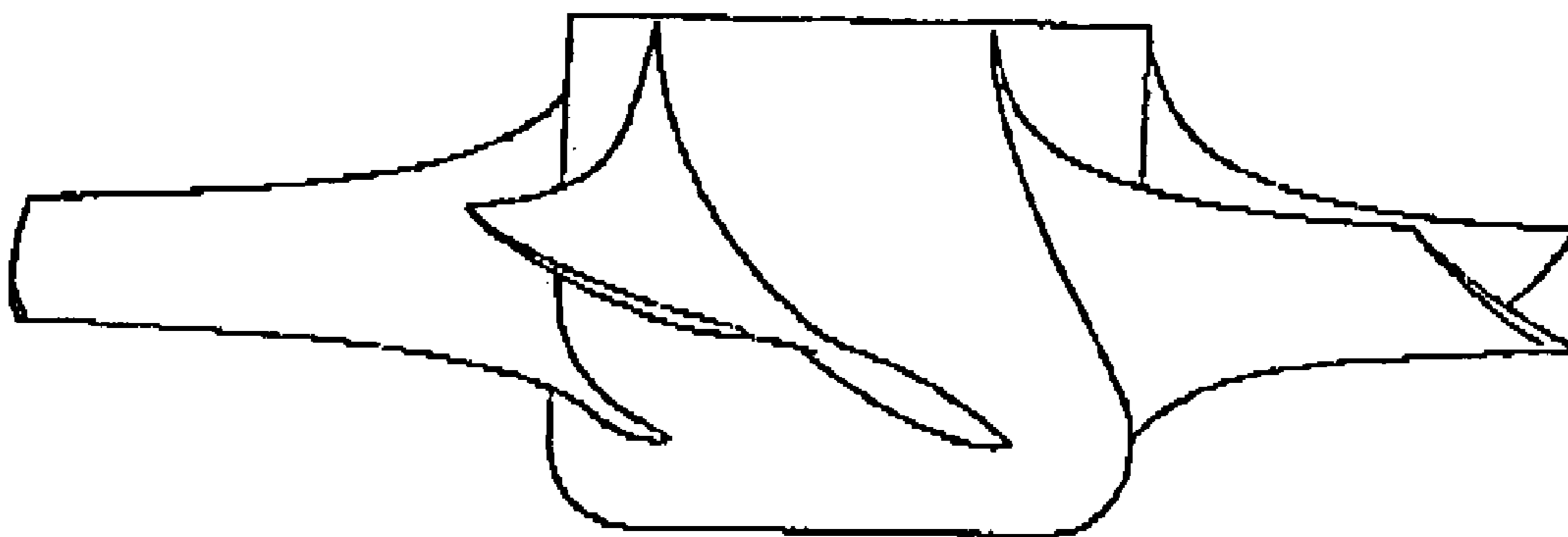
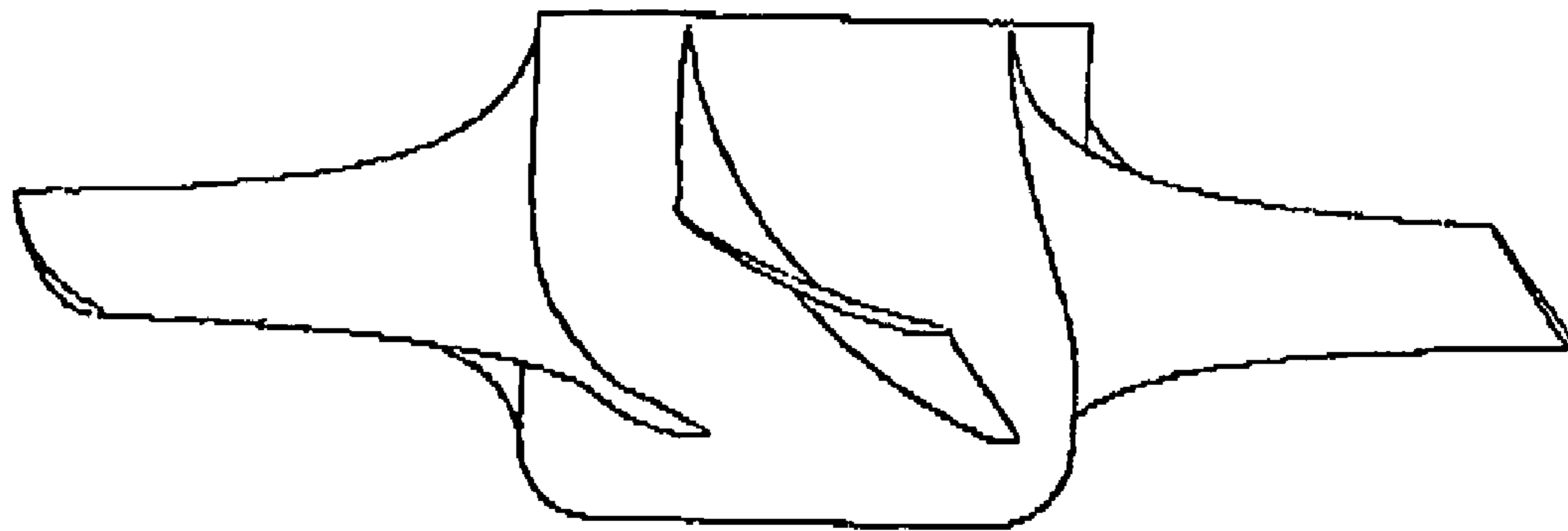


FIG. 2



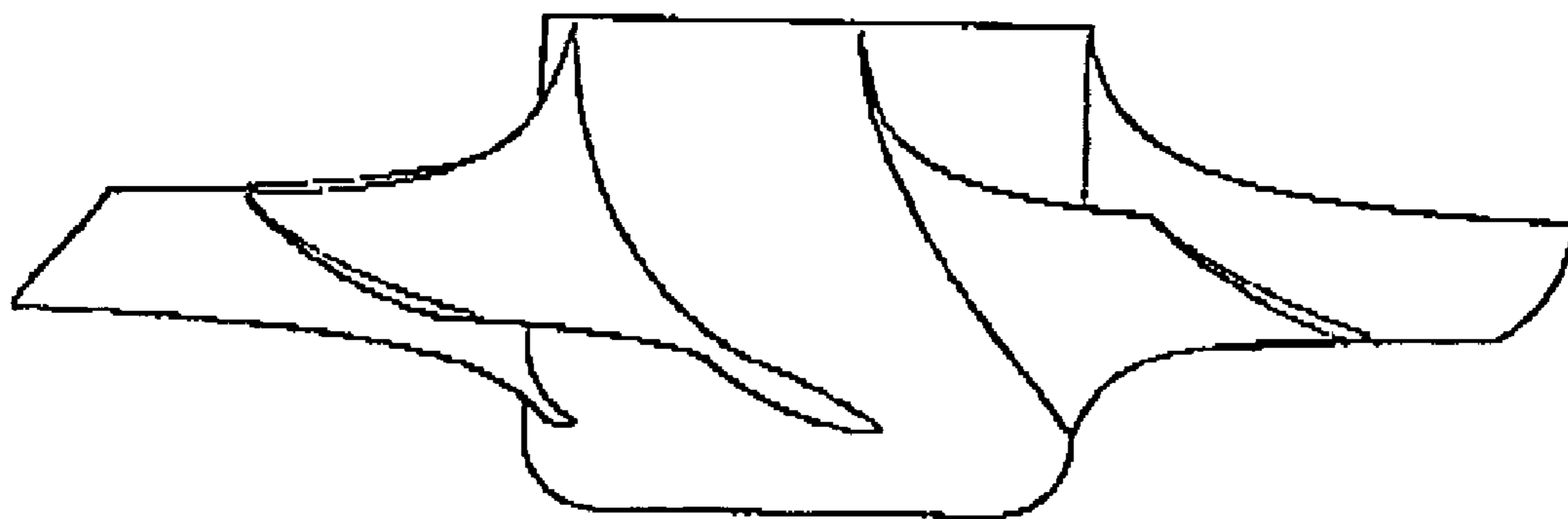
FRONT

FIG. 3



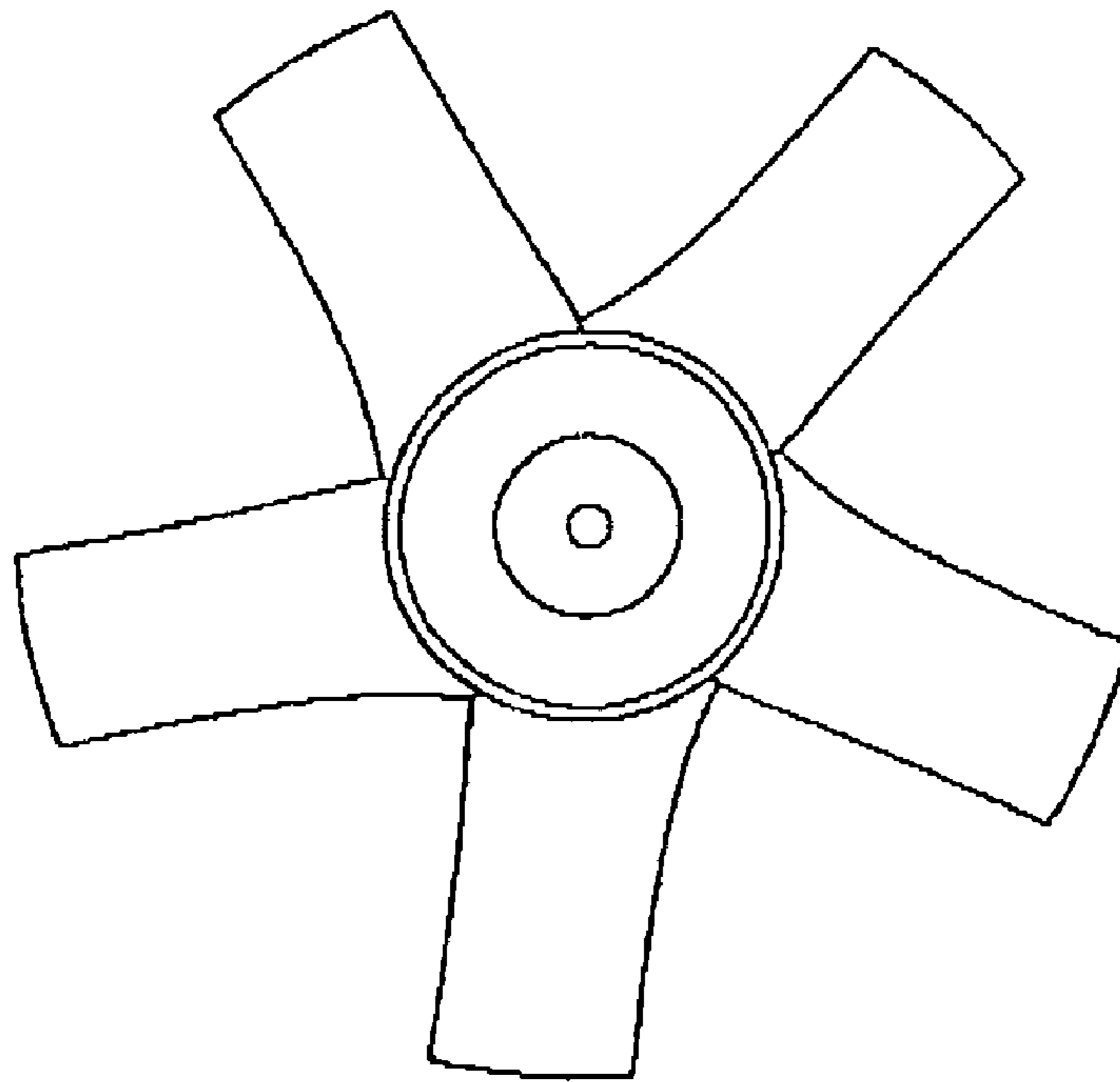
LEFT

FIG. 4



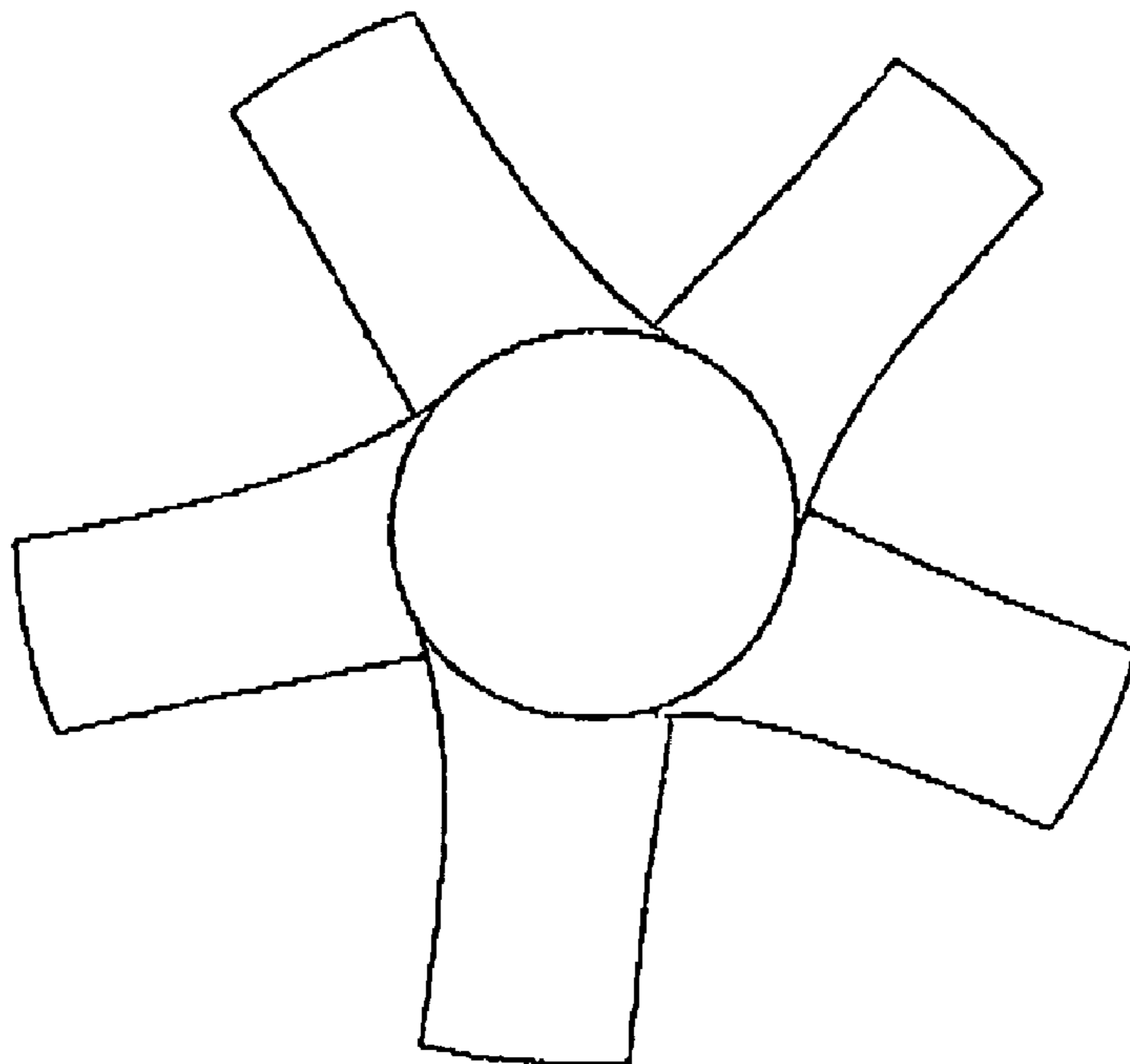
RIGHT

FIG. 5



BOTTOM

FIG. 6



TOP

UNITED STATES PATENT AND TRADEMARK OFFICE  
**CERTIFICATE OF CORRECTION**

PATENT NO. : Des. 566,829 S  
APPLICATION NO. : 29/282992  
DATED : April 15, 2008  
INVENTOR(S) : Danny S. Parker, John Sherwin and Bart Hibbs

Page 1 of 5

It is certified that error appears in the above-identified patent and that said Letters Patent is hereby corrected as shown below:

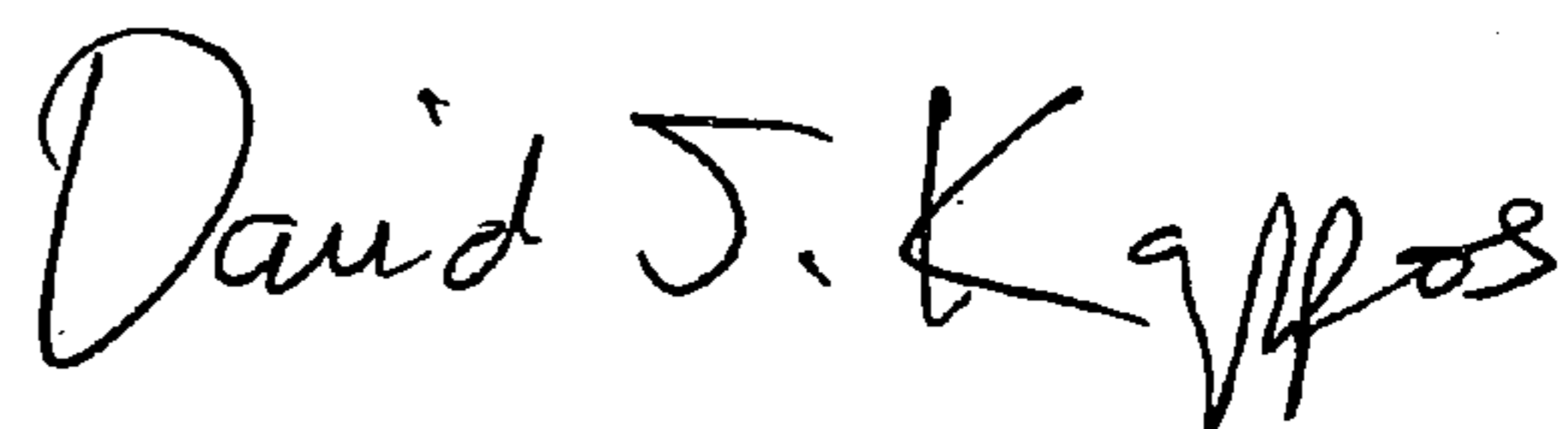
The title page should be deleted and substitute therefor the attached title page.

**Drawings:**

Delete drawing sheets 1-3 and substitute therefor the drawing sheets 1-3 consisting of figs. 1-6 as shown on the attached pages.

Signed and Sealed this

Twenty-seventh Day of July, 2010

A handwritten signature in black ink that reads "David J. Kappos". The signature is written in a cursive, flowing style.

David J. Kappos  
*Director of the United States Patent and Trademark Office*

(12) **United States Design Patent** (10) **Patent No.:** **US D566,829 S**  
**Parker et al.** (45) **Date of Patent:** **\*\* Apr. 15, 2008**

(54) **HIGH EFFICIENCY AIR CONDITIONER  
CONDENSER TWISTED FAN BLADES AND  
HUB**

(75) **Inventors:** **Danny S. Parker**, Cocoa Beach, FL  
(US); **John Sherwin**, Cocoa Beach, FL  
(US); **Bart Hibbs**, Simi Valley, CA  
(US)

(73) **Assignee:** **Research Foundation of the  
University of Central Florida, Inc.**,  
Orlando, FL (US)

(\*\*) **Term:** **14 Years**

(21) **Appl. No.:** **29/282,992**

(22) **Filed:** **Aug. 3, 2007**

**Related U.S. Application Data**

(62) Division of application No. 29/268,980, filed on Nov. 17, 2006, now Pat. No. Des. 555,782, which is a division of application No. 29/231,433, filed on Jun. 3, 2005, now Pat. No. Des. 539,413, which is a division of application No. 29/178,526, filed on Mar. 27, 2003, now Pat. No. Des. 510,998.

(51) **LOC (8) Cl.** ..... **23-04**

(52) **U.S. Cl.** ..... **D23/411**

(58) **Field of Classification Search** ..... D23/411,  
D23/377, 379, 385, 413; 416/5  
See application file for complete search history.

(56) **References Cited**

**U.S. PATENT DOCUMENTS**

2,638,757 A	5/1953	Borgerd
3,995,442 A	12/1976	Cavezza
4,470,271 A	9/1984	Draper
4,526,506 A	7/1985	Koger
4,971,143 A	11/1990	Hogan
4,971,520 A	11/1990	Van Houten

5,320,493 A	6/1994	Shih	
5,624,234 A	4/1997	Neely	
5,809,800 A	9/1998	Deal	
6,129,528 A	10/2000	Bradbury	
6,185,954 B1	2/2001	Smiley	
D510,998 S *	10/2005	Parker et al.	D23/411
D539,413 S *	3/2007	Parker et al.	D23/411
D555,782 S *	11/2007	Parker et al.	D23/411

**OTHER PUBLICATIONS**

Kernstock, "Slashing Through The Noise Barrier" Defense Daily Network—Rotor & Wing's Cover Story, Aug. 1999, pp. 1-11.

\* cited by examiner

*Primary Examiner*—Lisa Lichtenstein

(74) *Attorney, Agent, or Firm*—Brian S. Steinberger; Law Offices of Brian S. Steinberger, P.A.

(57) **CLAIM**

The ornamental design for a high efficiency air conditioner condenser twisted fan blades and hub, as shown and described.

**DESCRIPTION**

FIG. 1 is a perspective view of a high efficiency air conditioner condenser twisted fan blades with hub.

FIG. 2 is a front side elevation view of the high efficiency air conditioner condenser twisted fan blades and hub of FIG. 1.

FIG. 3 is a left side end view of the high efficiency air conditioner condenser twisted fan blades and hub of FIG. 1.

FIG. 4 is a right side end view of the high efficiency air conditioner condenser twisted fan blades and hub of FIG. 1.

FIG. 5 is a bottom elevation view of the high efficiency air conditioner condenser twisted fan blades and hub of FIG. 1; and,

FIG. 6 is a top elevation view of the high efficiency air conditioner condenser twisted fan blades and hub of FIG. 1.

**1 Claim, 3 Drawing Sheets**

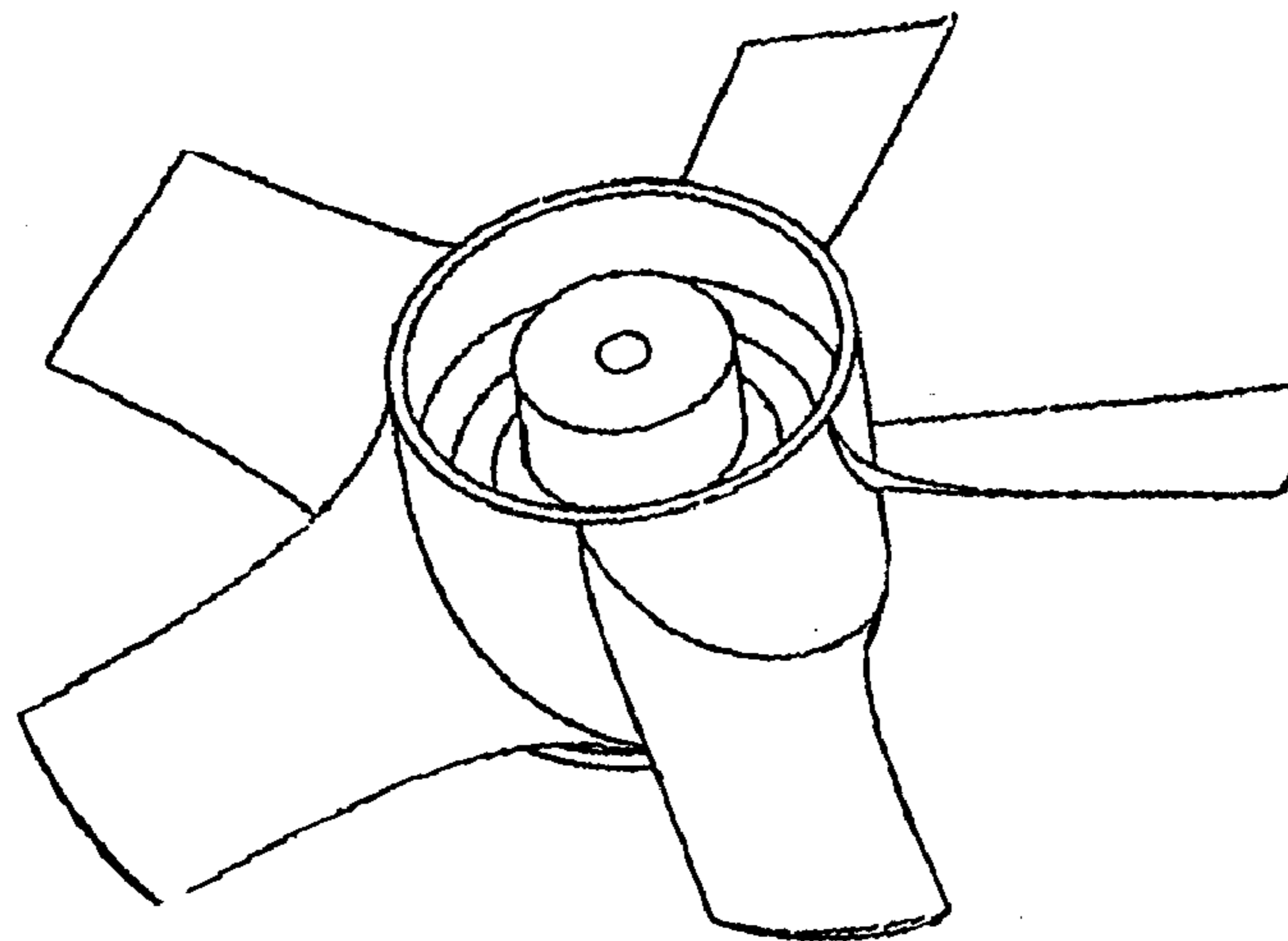


FIG. 1

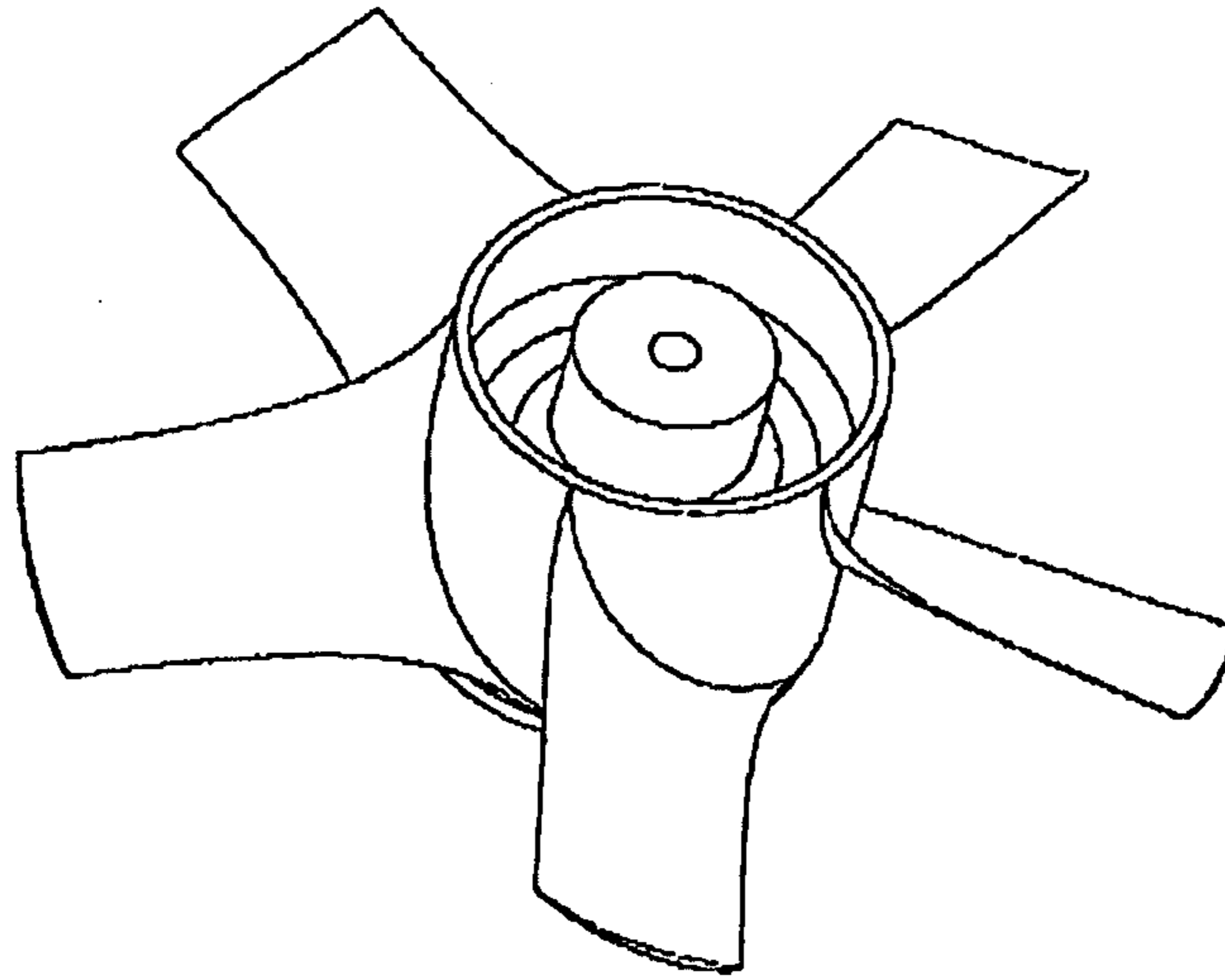
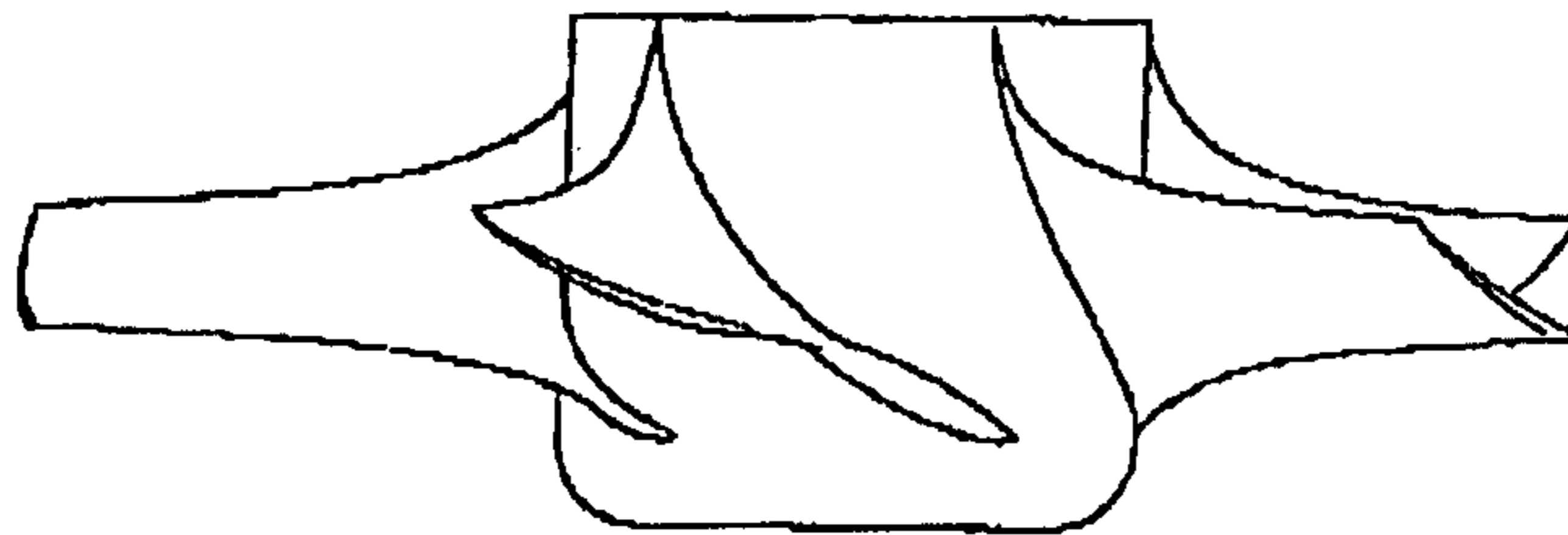
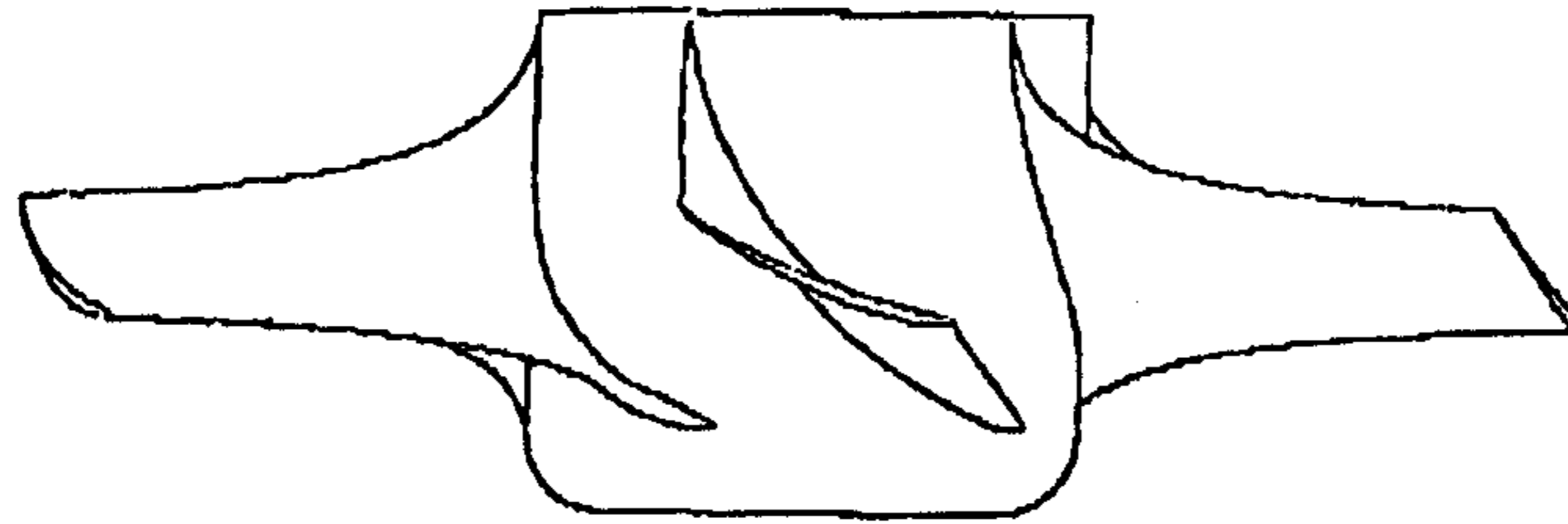


FIG. 2



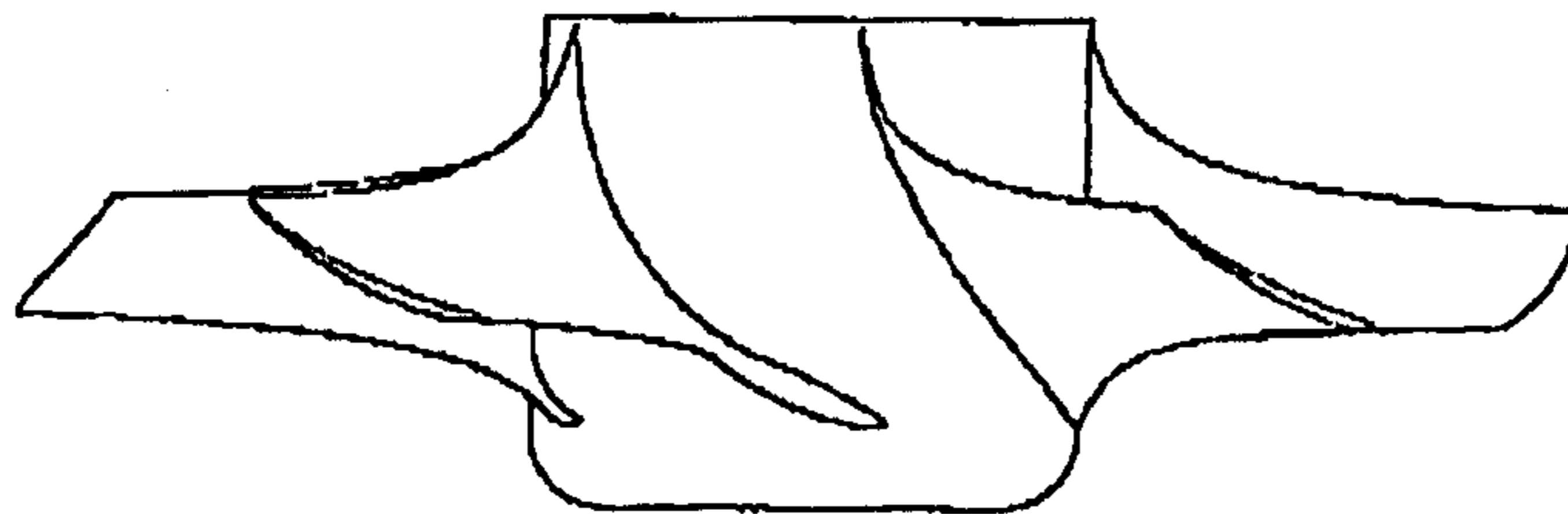
FRONT

FIG. 3



LEFT

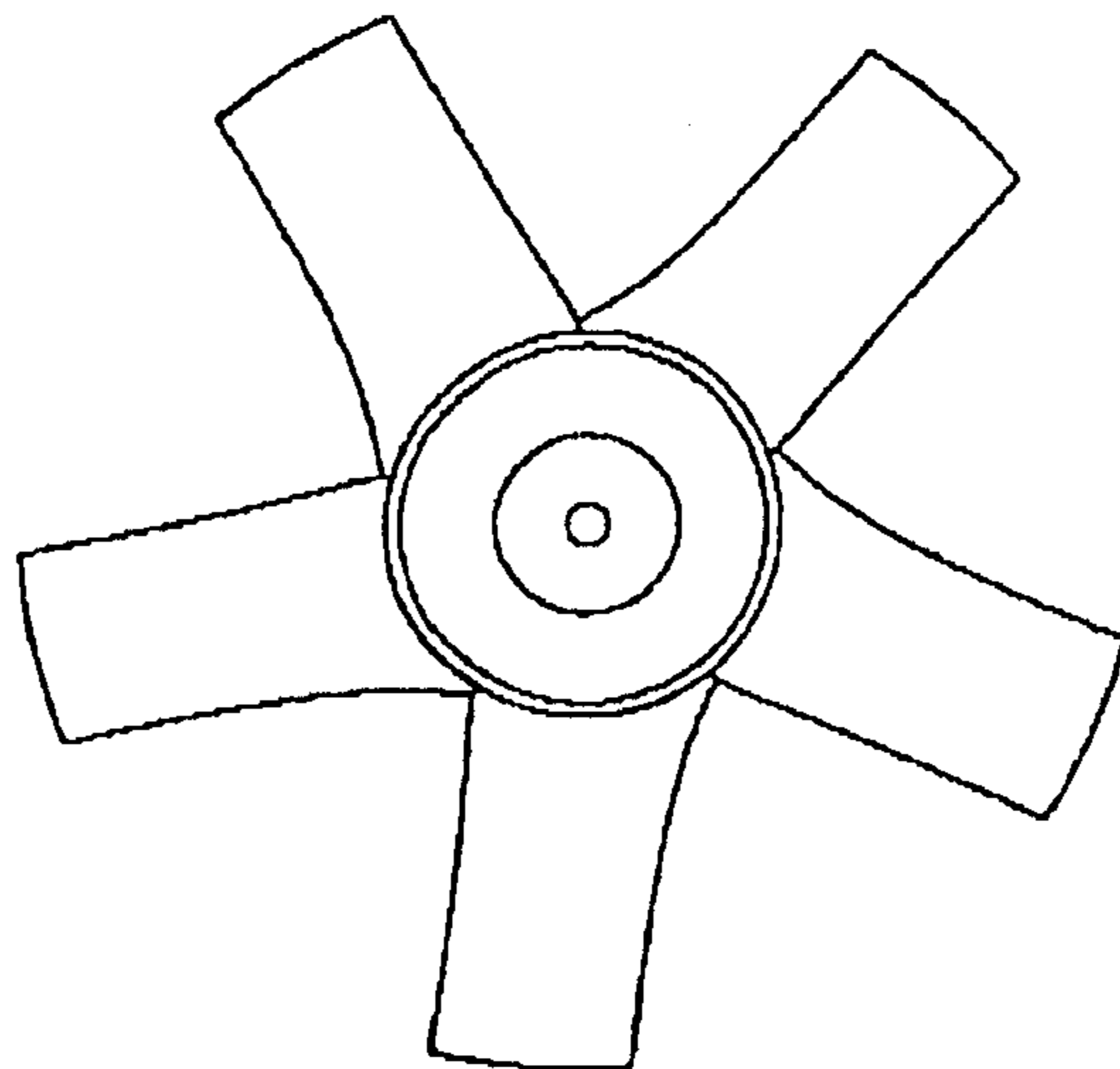
FIG. 4



RIGHT

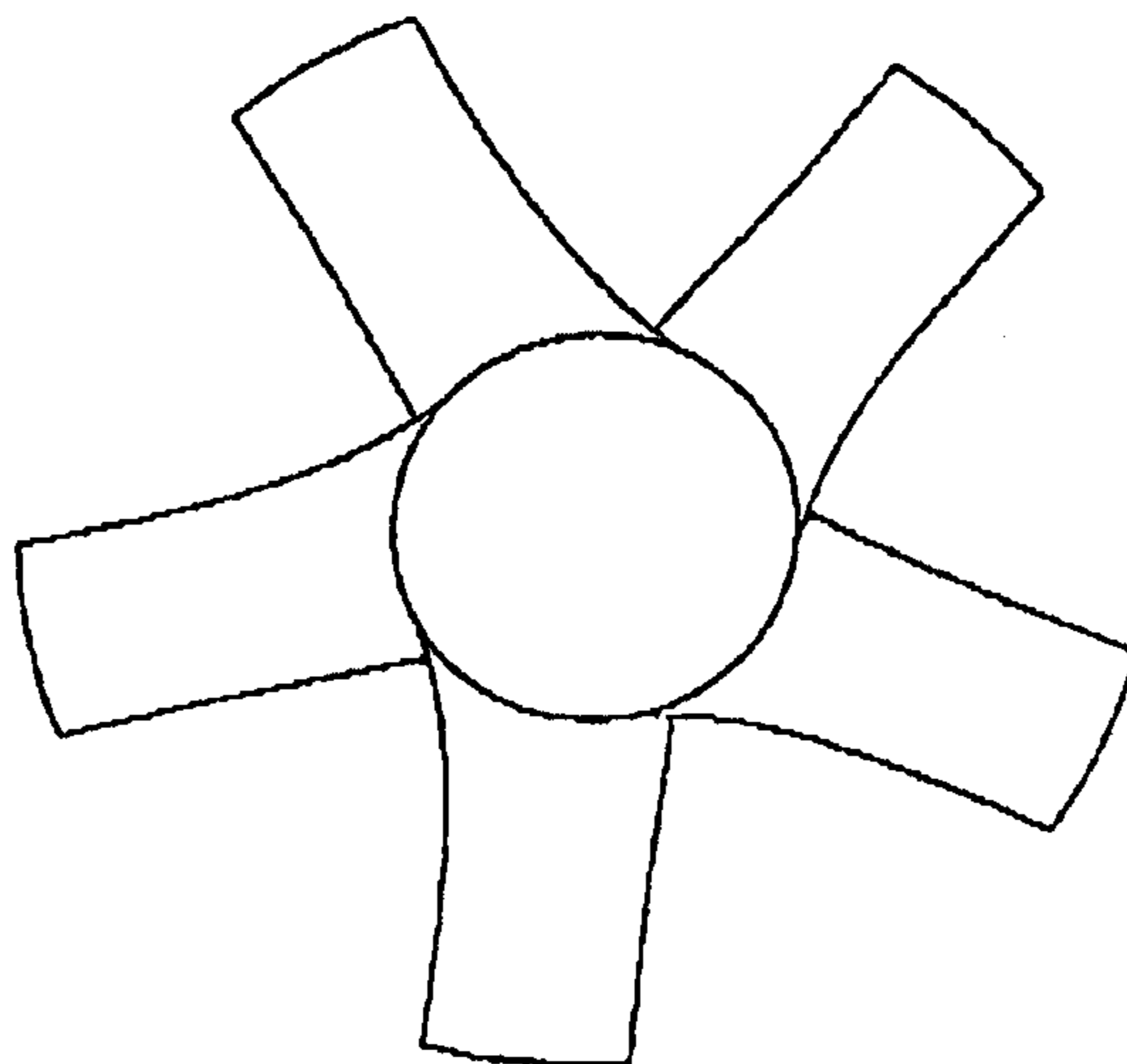


FIG. 5



BOTTOM

FIG. 6



TOP

UNITED STATES PATENT AND TRADEMARK OFFICE  
**CERTIFICATE OF CORRECTION**

PATENT NO. : D566,829 S  
APPLICATION NO. : 29/282992  
DATED : April 15, 2008  
INVENTOR(S) : Danny S. Parker, John Sherwin and Bart Hibbs

Page 1 of 5

It is certified that error appears in the above-identified patent and that said Letters Patent is hereby corrected as shown below:

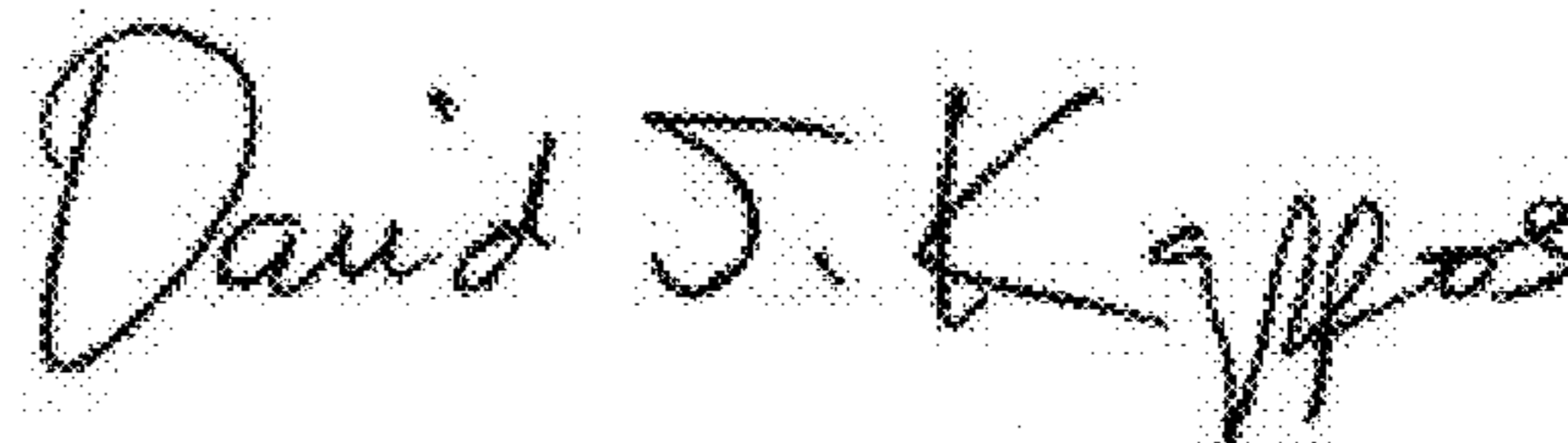
The title page should be deleted and substitute therefor the attached title page.

Drawings:

Delete drawing sheets 1-3 and substitute therefor the drawing sheets 1-3 consisting of figs. 1-6 as shown on the attached pages.

This certificate supersedes the Certificate of Correction issued July 27, 2010.

Signed and Sealed this  
Nineteenth Day of April, 2011

A handwritten signature in black ink that reads "David J. Kappos". The signature is written in a cursive style with a large, stylized 'D' and 'K'.

David J. Kappos  
*Director of the United States Patent and Trademark Office*

(12) **United States Design Patent** (10) **Patent No.:** **US D566,829 S**  
**Parker et al.** (45) **Date of Patent:** **\*\* Apr. 15, 2008**

(54) **HIGH EFFICIENCY AIR CONDITIONER  
 CONDENSER TWISTED FAN BLADES AND  
 HUB**

(75) Inventors: **Danny S. Parker**, Cocoa Beach, FL  
 (US); **John Sherwin**, Cocoa Beach, FL  
 (US); **Bart Hibbs**, Simi Valley, CA  
 (US)

(73) Assignee: **Research Foundation of the  
 University of Central Florida, Inc.**,  
 Orlando, FL (US)

(\*\*) Term: **14 Years**

(21) Appl. No.: **29/282,992**

(22) Filed: **Aug. 3, 2007**

**Related U.S. Application Data**

(62) Division of application No. 29/268,980, filed on Nov. 17, 2006, now Pat. No. Des. 555,782, which is a division of application No. 29/231,433, filed on Jun. 3, 2005, now Pat. No. Des. 539,413, which is a division of application No. 29/178,526, filed on Mar. 27, 2003, now Pat. No. Des. 510,998.

(51) **LOC (8) Cl.** ..... **23-04**

(52) **U.S. Cl.** ..... **D23/411**

(58) **Field of Classification Search** ..... D23/411,  
 D23/377, 379, 385, 413; 416/5  
 See application file for complete search history.

(56) **References Cited**

**U.S. PATENT DOCUMENTS**

2,638,757	A	5/1953	Borgeid
3,995,442	A	12/1976	Cavezza
4,470,271	A	9/1984	Draper
4,526,506	A	7/1985	Koger
4,971,143	A	11/1990	Hogan
4,971,520	A	11/1990	Van Houten

5,320,493	A	6/1994	Shih
5,624,234	A	4/1997	Neely
5,809,800	A	9/1998	Deal
6,129,528	A	10/2000	Bradbury
6,185,954	B1	2/2001	Smiley
D510,998	S *	10/2005	Parker et al. .... D23/411
D539,413	S *	3/2007	Parker et al. .... D23/411
D555,782	S *	11/2007	Parker et al. .... D23/411

**OTHER PUBLICATIONS**

Kernstock, "Slashing Through The Noise Barrier" Defense Daily Network—Rotor & Wing's Cover Story, Aug. 1999, pp. 1-11.

\* cited by examiner

*Primary Examiner*—Lisa Lichtenstein  
 (74) *Attorney, Agent, or Firm*—Brian S. Steinberger; Law Offices of Brian S. Steinberger, P.A.

(57) **CLAIM**

The ornamental design for a high efficiency air conditioner condenser twisted fan blades and hub, as shown and described.

**DESCRIPTION**

FIG. 1 is a perspective view of a high efficiency air conditioner condenser twisted fan blades with hub.

FIG. 2 is a front side elevation view of the high efficiency air conditioner condenser twisted fan blades and hub of FIG. 1.

FIG. 3 is a left side end view of the high efficiency air conditioner condenser twisted fan blades and hub of FIG. 1.

FIG. 4 is a right side end view of the high efficiency air conditioner condenser twisted fan blades and hub of FIG. 1.

FIG. 5 is a bottom elevation view of the high efficiency air conditioner condenser twisted fan blades and hub of FIG. 1; and,

FIG. 6 is a top elevation view of the high efficiency air conditioner condenser twisted fan blades and hub of FIG. 1.

**1 Claim, 3 Drawing Sheets**

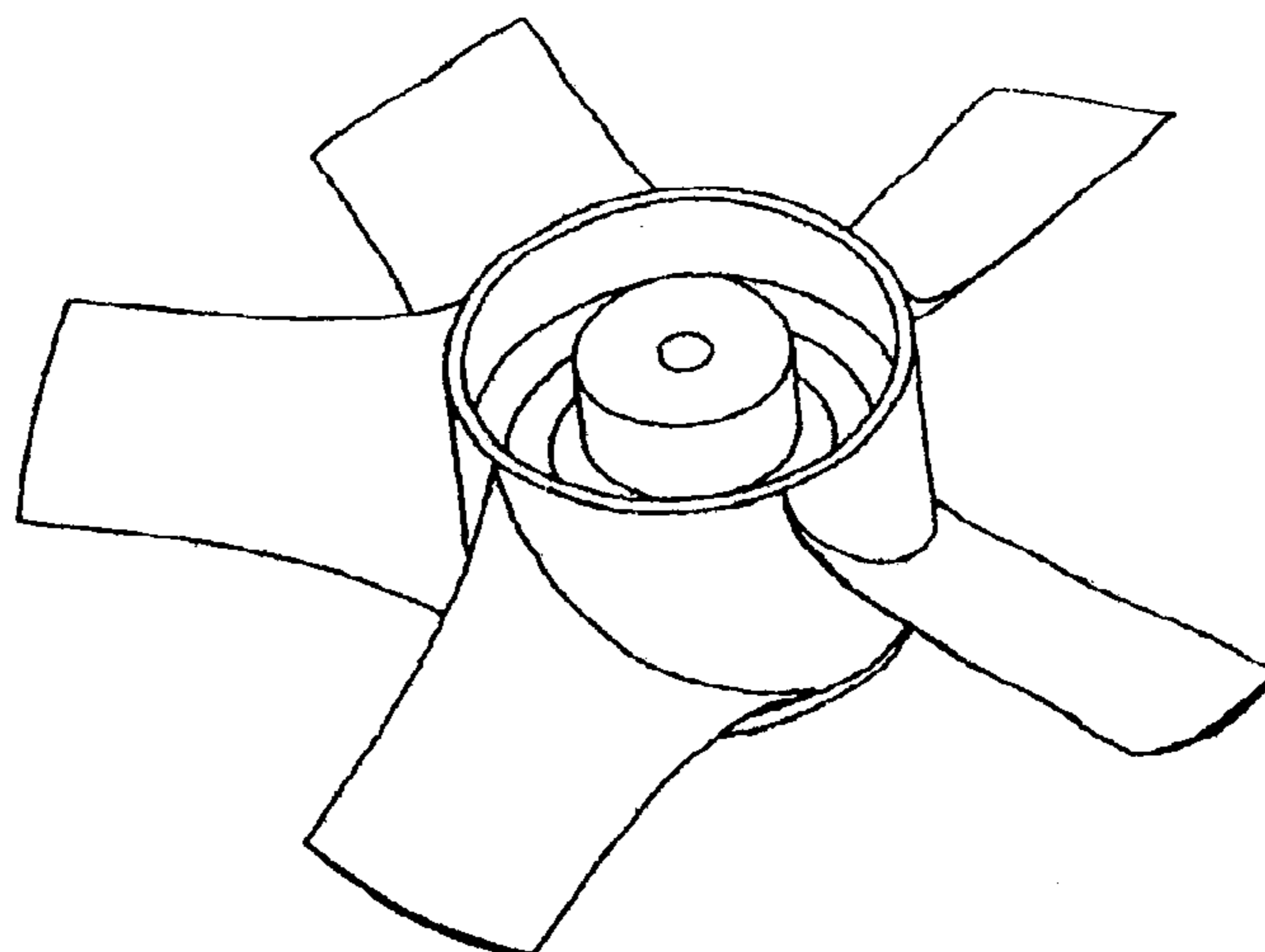


FIG. 1

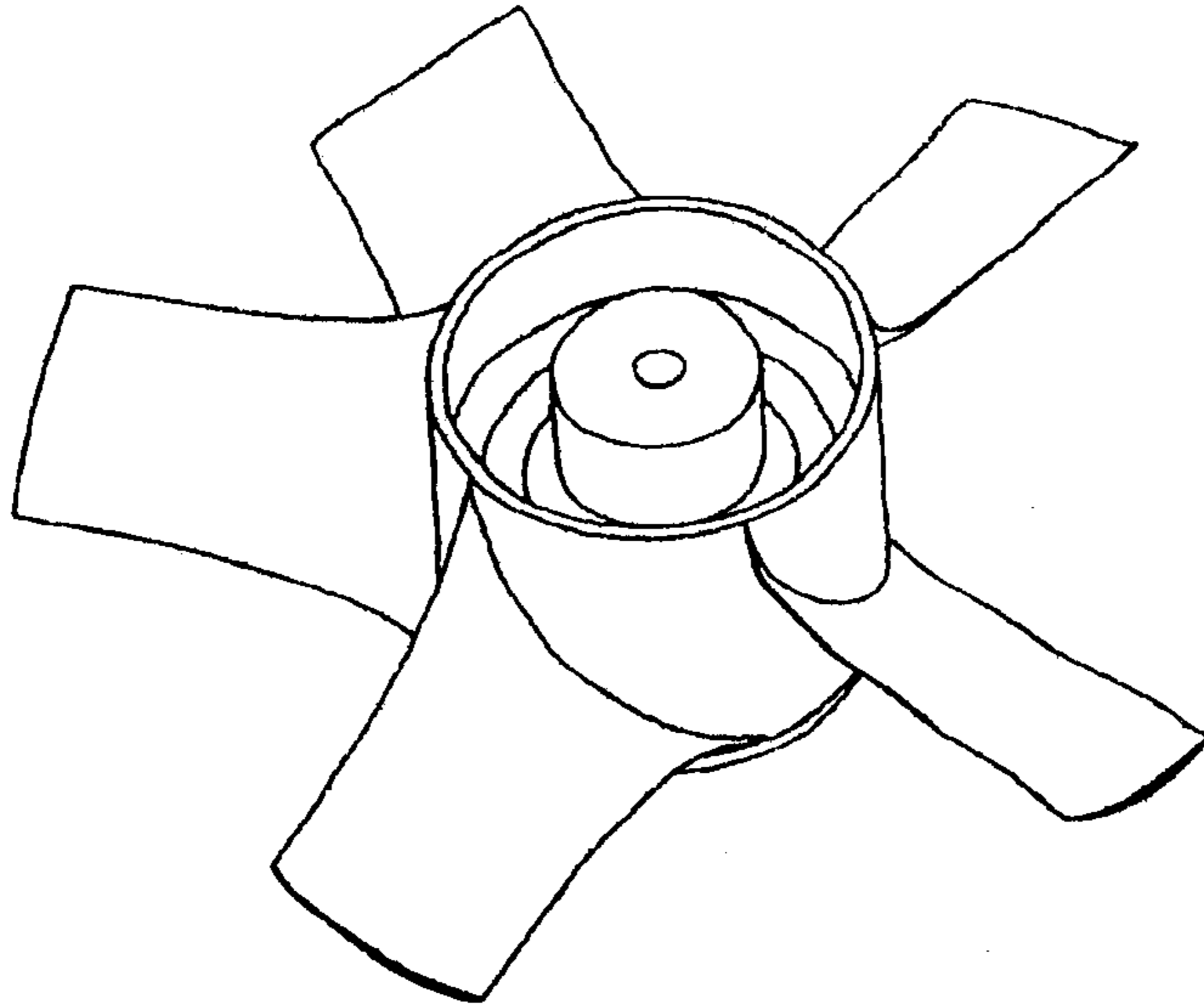
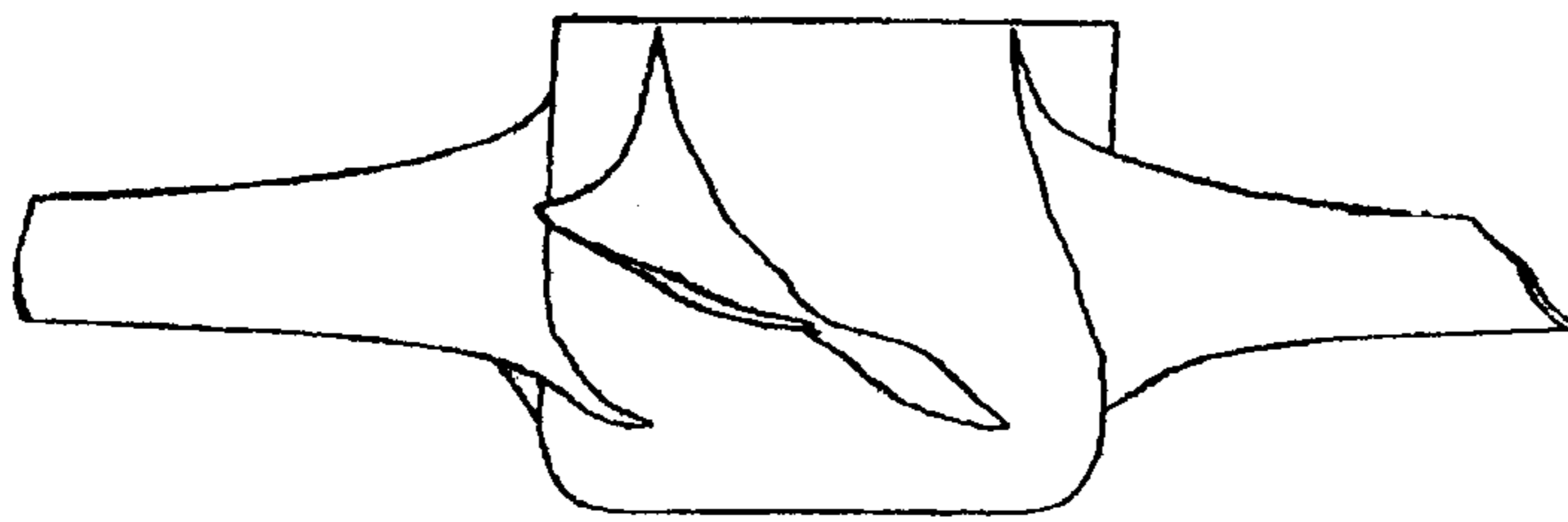
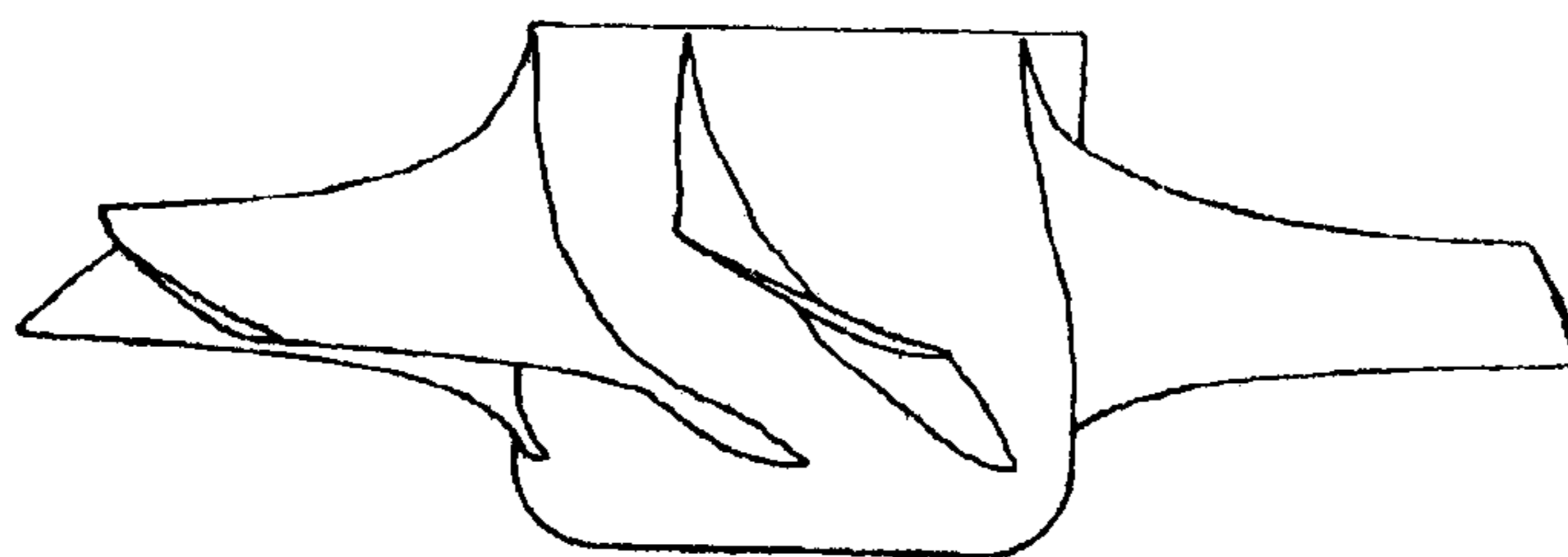


FIG. 2



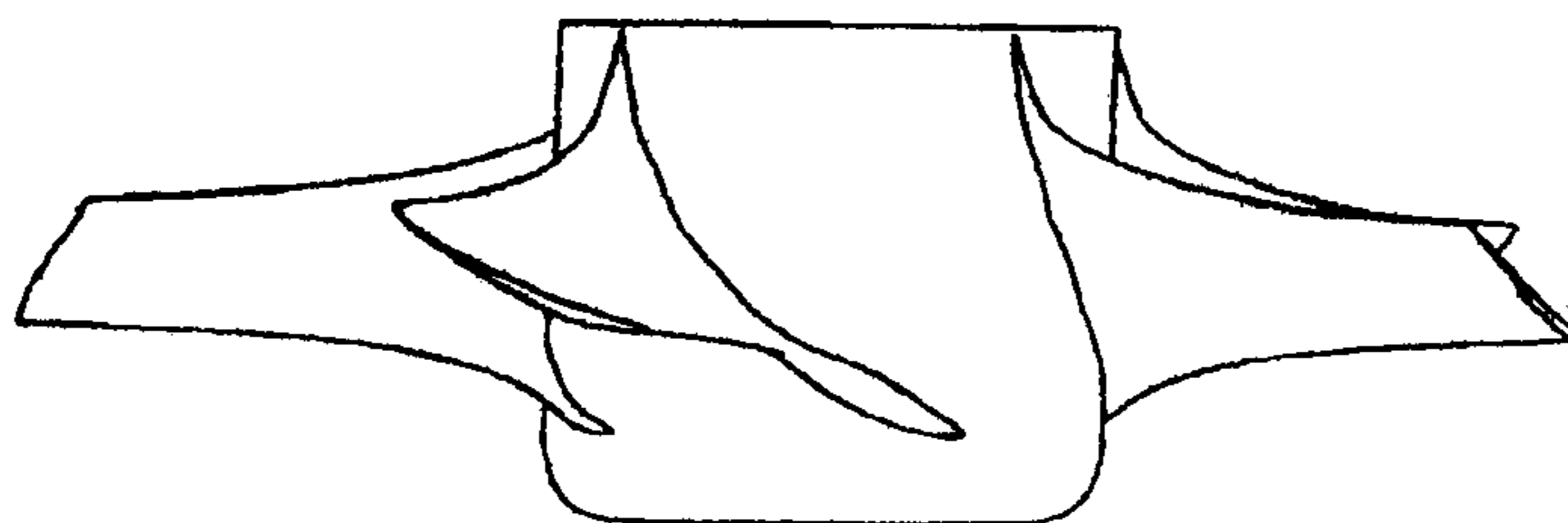
FRONT

FIG. 3



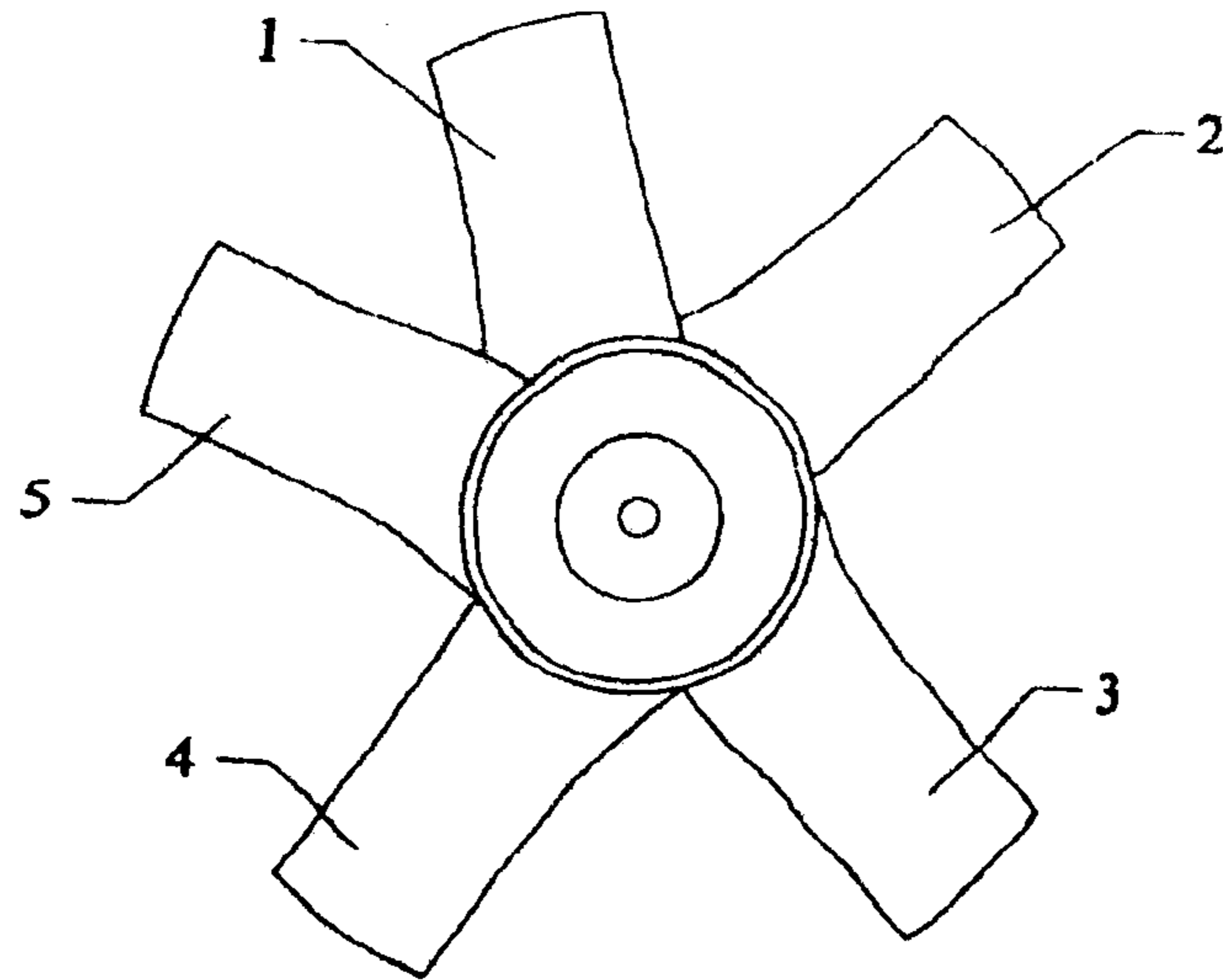
LEFT

FIG. 4



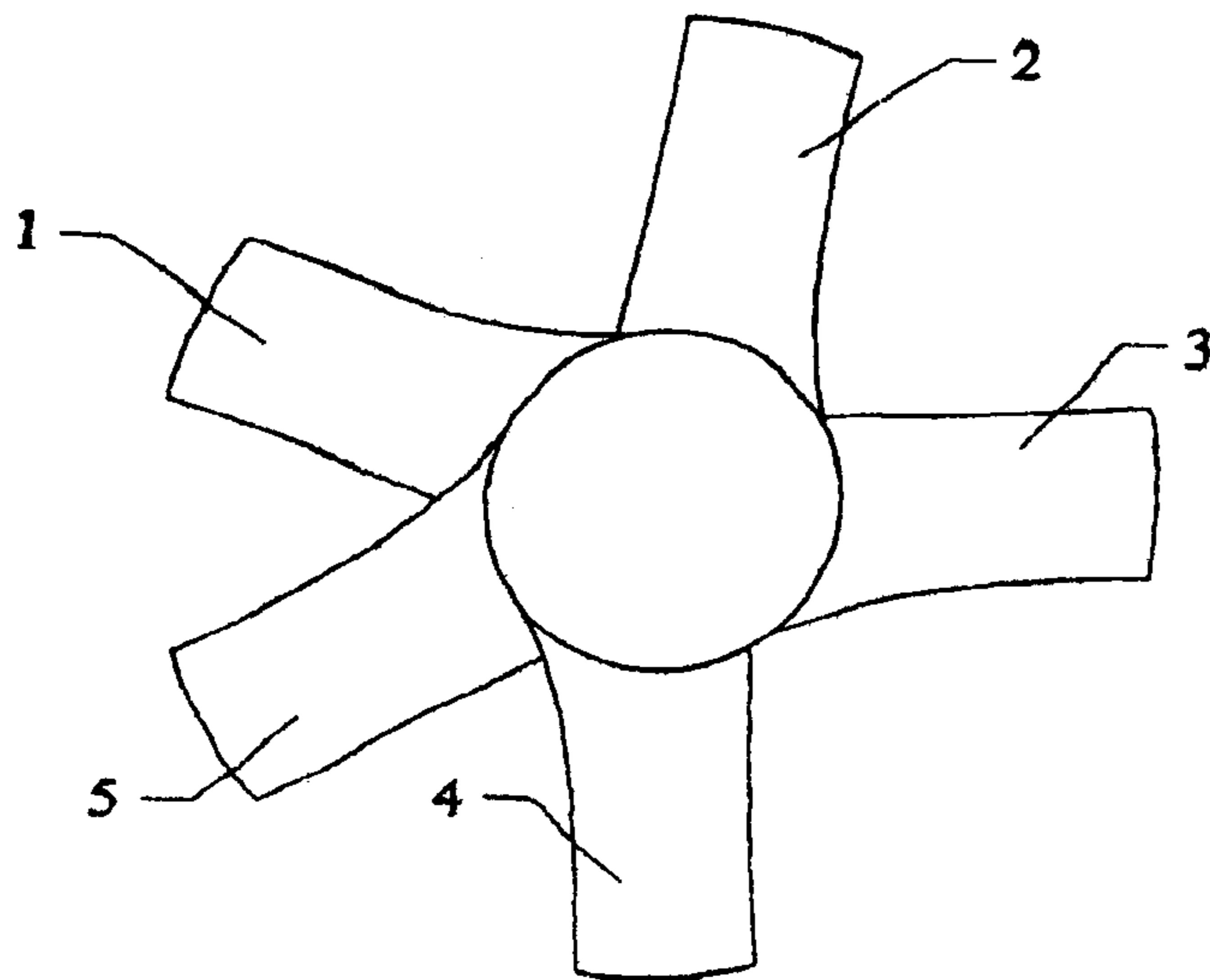
RIGHT

FIG. 5



BOTTOM

FIG. 6



TOP