



US00D566827S

(12) **United States Design Patent**
Tzeng et al.

(10) **Patent No.: US D566,827 S**
(45) **Date of Patent: ** Apr. 15, 2008**

(54) **HEAT DISSIPATING DEVICE**

(75) Inventors: **Guo-Shiung Tzeng**, Taipei (TW);
Ching-Yu Hsu, Taipei (TW);
Pei-Ching Hung, Taipei (TW)

(73) Assignee: **AMA Precision Inc.**, Zhongzheng
District, Taipei (TW)

(**) Term: **14 Years**

(21) Appl. No.: **29/268,018**

(22) Filed: **Oct. 27, 2006**

(30) **Foreign Application Priority Data**

May 2, 2006 (TW) 95302316
May 9, 2006 (CN) 2006 3 0151398

(51) **LOC (8) Cl.** **23-04**

(52) **U.S. Cl.** **D23/411**

(58) **Field of Classification Search** D23/370,
D23/411, 377; 415/176, 177, 178, 211.2;
361/697, 695; 165/80.3, 121
See application file for complete search history.

(56) **References Cited**

U.S. PATENT DOCUMENTS

D481,452 S * 10/2003 Luo D23/377

D491,260 S * 6/2004 Luo D23/411
D509,580 S * 9/2005 Lin D23/370
7,025,125 B2 * 4/2006 Sheng et al. 165/104.33
7,130,192 B2 * 10/2006 Wang et al. 361/697
7,218,518 B2 * 5/2007 Chin et al. 361/697

* cited by examiner

Primary Examiner—Lisa Lichtenstein

(74) *Attorney, Agent, or Firm*—Birch, Stewart, Kolasch &
Birch, LLP.

(57) **CLAIM**

The ornamental design for a heat dissipating device, as
shown and described.

DESCRIPTION

FIG. 1 is a perspective view of a heat dissipating device
showing our new design;

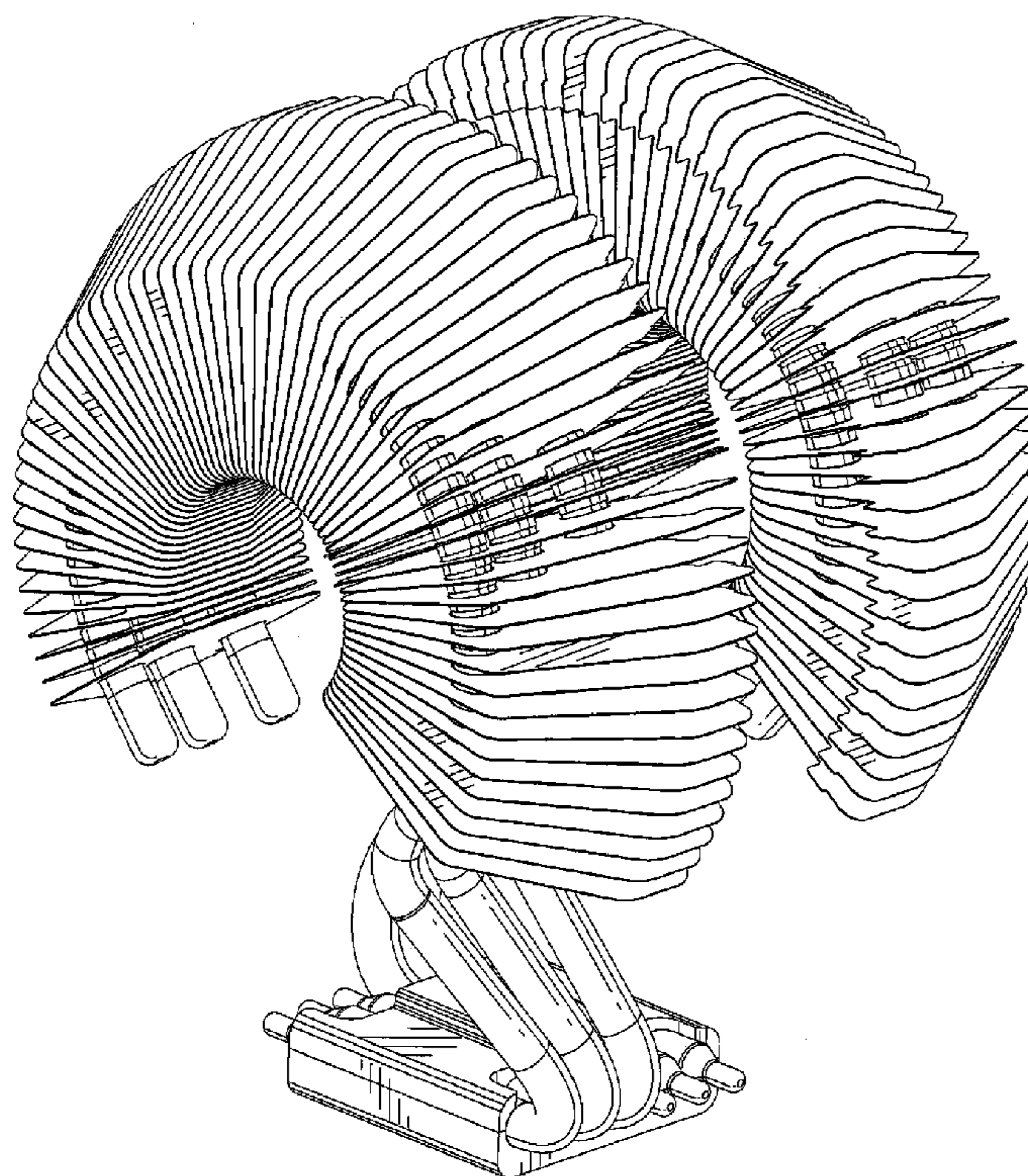
FIG. 2 is a front elevational view thereof, the rear being a
mirror image;

FIG. 3 is a right side elevational view thereof, the left side
being a mirror image;

FIG. 4 is a top plan view thereof; and,

FIG. 5 is a bottom plan view thereof.

1 Claim, 5 Drawing Sheets



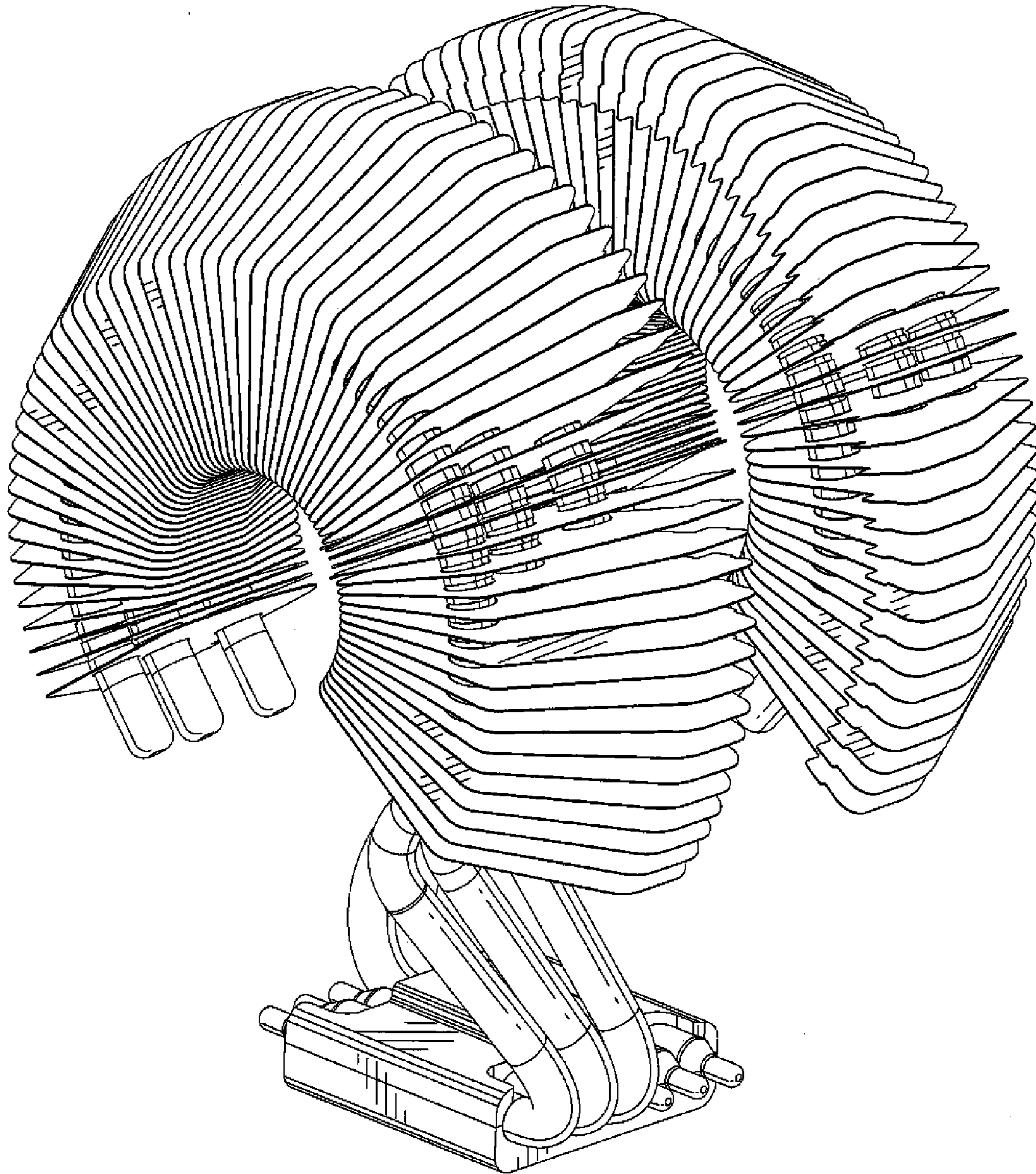


Fig. 1

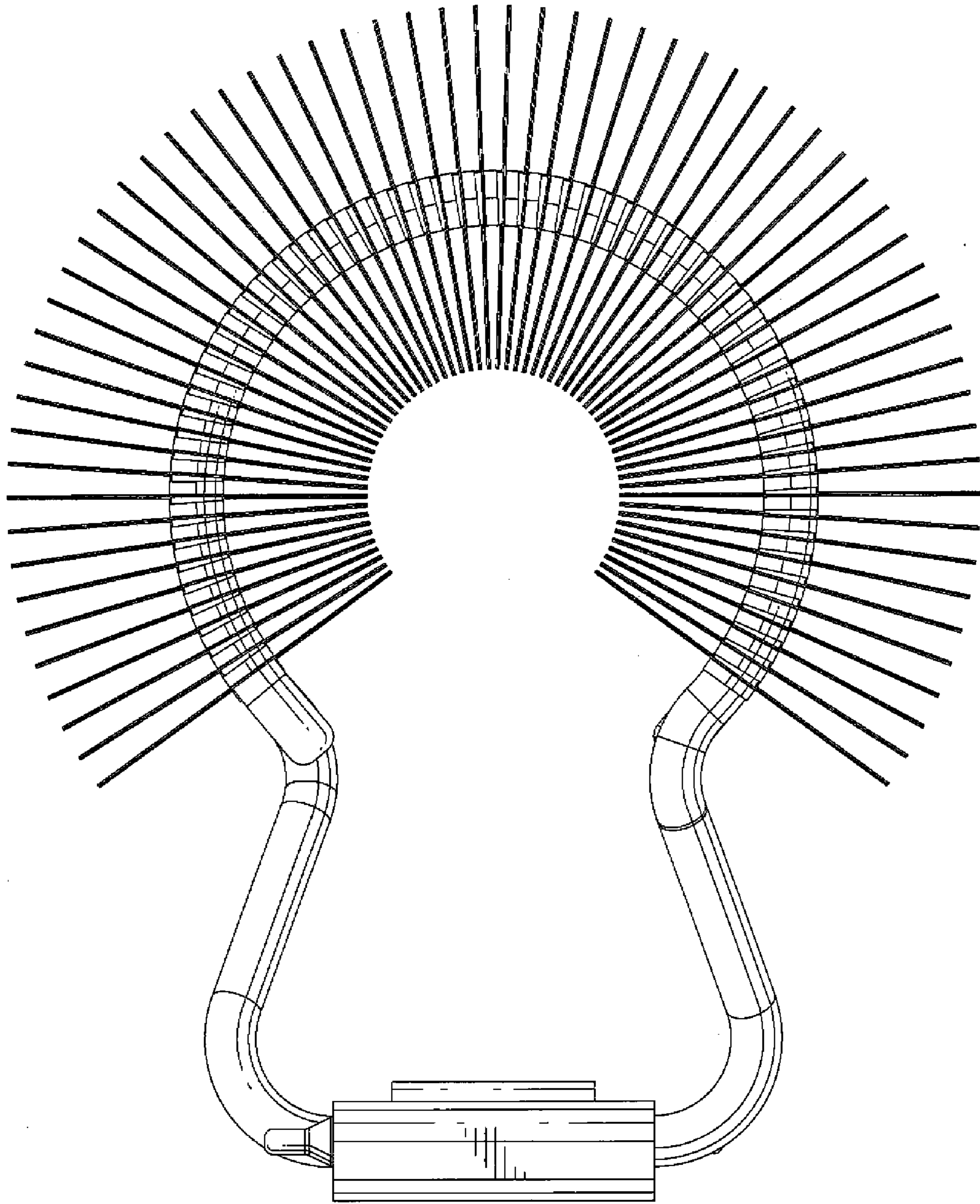


Fig. 2

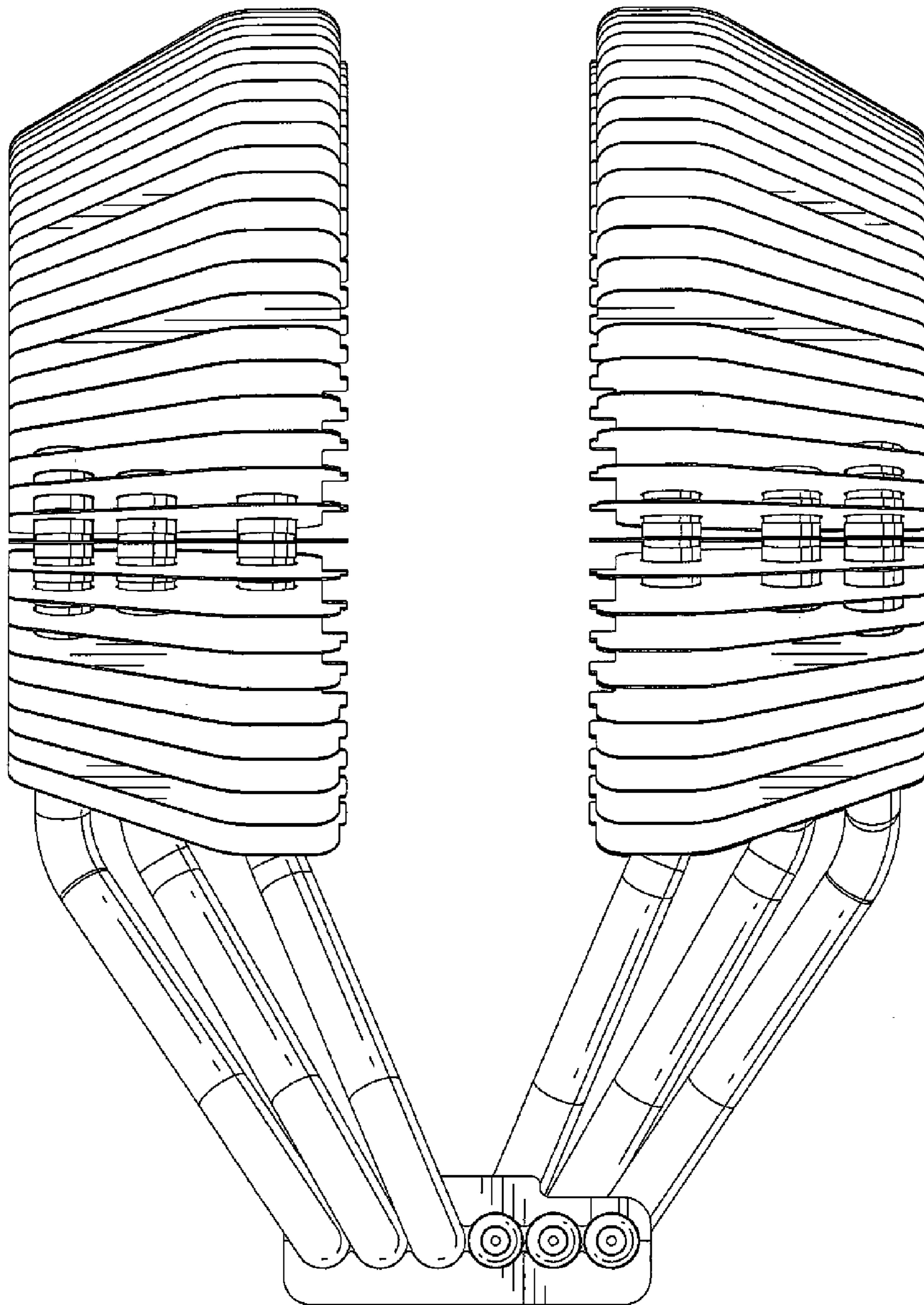


Fig. 3

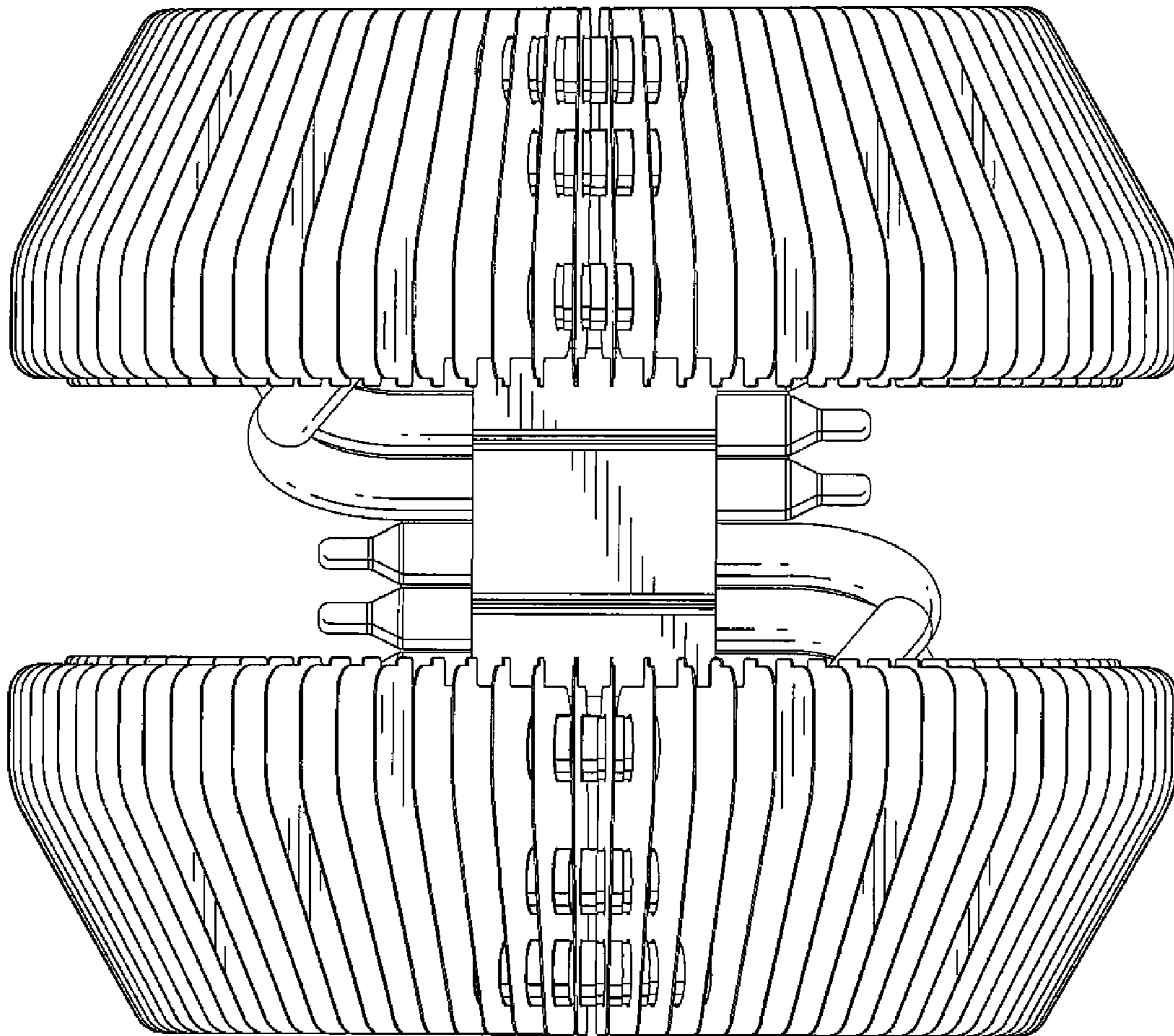


Fig. 4

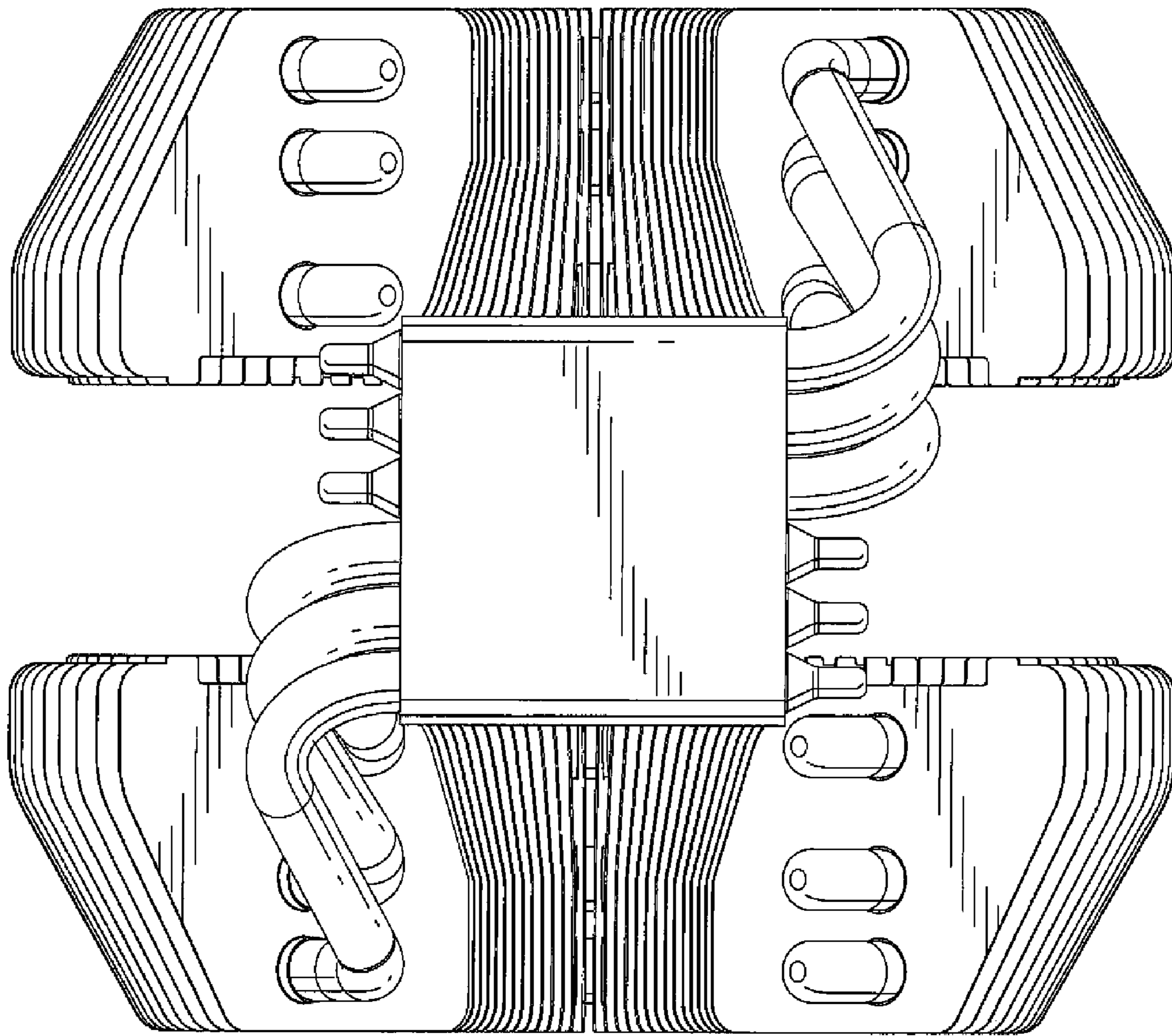


Fig. 5