



US00D566825S

(12) **United States Design Patent** (10) **Patent No.:** **US D566,825 S**
Lucero (45) **Date of Patent:** **** Apr. 15, 2008**

(54) **ROOFTOP VENT CLASP**
(75) Inventor: **John Lucero**, Los Angeles, CA (US)
(73) Assignee: **M5 Steel Manufacturing, Inc.**, Los Angeles, CA (US)

6,108,981 A * 8/2000 Sama et al. 52/60
6,167,660 B1 * 1/2001 Sama 52/60
D481,932 S * 11/2003 Bess D8/394
6,786,011 B2 * 9/2004 Mares 52/60
D532,291 S * 11/2006 Geers D8/394
D547,642 S * 7/2007 Urmson et al. D8/382

(**) Term: **14 Years**
(21) Appl. No.: **29/277,755**
(22) Filed: **Mar. 8, 2007**

* cited by examiner
Primary Examiner—Ian Simmons
Assistant Examiner—David G Muller
(74) *Attorney, Agent, or Firm*—Hani Z. Sayed; Rutan & Tucker, LLP

(51) **LOC (8) Cl.** **23-04**
(52) **U.S. Cl.** **D23/386**
(58) **Field of Classification Search** D23/386,
D23/393, 373, 370, 371, 387, 391, 376; D8/349,
D8/366, 377, 381, 382, 354, 383, 394, 395,
D8/373; 52/198, 199, 302.1, 57, 473, 86,
52/60, 530, 12; D25/119, 60; 454/242, 367,
454/368; 248/222.11, 222.12, 231.81, 316.7;
160/223

(57) **CLAIM**

The ornamental design for a rooftop vent clasp, as shown and described.

See application file for complete search history.

DESCRIPTION

FIG. 1 is a front, left side perspective view of the rooftop vent clasp in the engaged state in an embodiment of the present invention;
FIG. 2 is a front, left side perspective view thereof in the disengaged state;
FIG. 3 is a front left side perspective view thereof in the engaged state as attached to the vent hood;
FIG. 4 is a front left side perspective view thereof in the disengaged state as attached to the vent hood;
FIG. 5 is a left side elevation view thereof in the engaged state;
FIG. 6 is a top plan view thereof;
FIG. 7 is a bottom plan view thereof;
FIG. 8 is a front elevation view thereof; and,
FIG. 9 is a rear elevation view thereof.

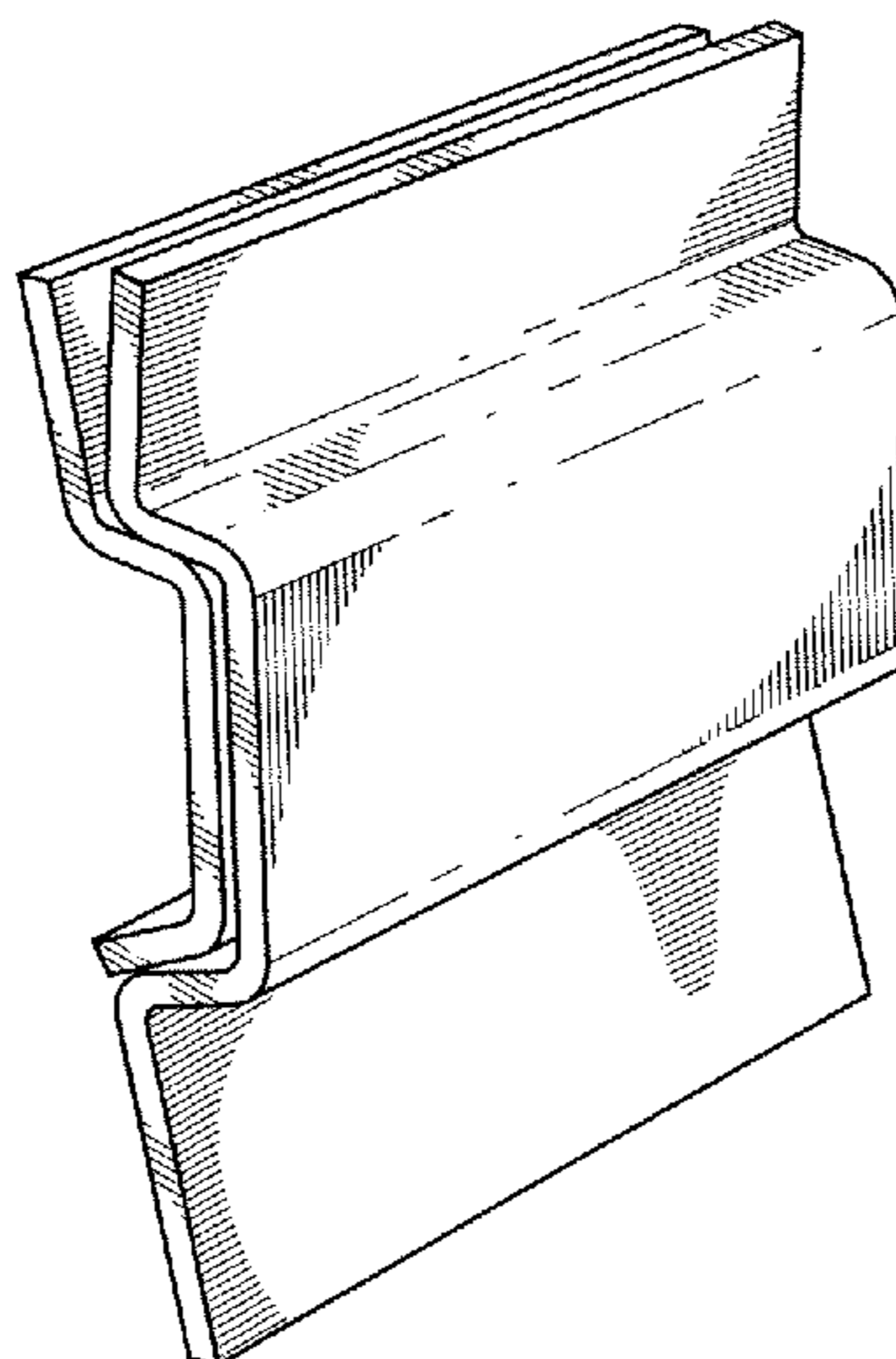
(56) **References Cited**

U.S. PATENT DOCUMENTS

2,792,581 A * 5/1957 Woyton 248/316.7
3,264,793 A * 8/1966 Schensker 52/530
4,340,106 A * 7/1982 Van Horn, II 248/222.11
D270,574 S * 9/1983 Black D8/354
D288,171 S * 2/1987 Dey D8/366
D288,282 S * 2/1987 Sheets D8/373
D293,885 S * 1/1988 Carlmark D8/395
D295,080 S * 4/1988 Willan D25/60
4,750,300 A * 6/1988 Winger, Jr. 52/12
D312,038 S * 11/1990 Sachs D8/354
D318,608 S * 7/1991 Schenker D8/382
D376,805 S * 12/1996 Johansson D8/349
D376,972 S * 12/1996 Zissu D8/354
D378,748 S * 4/1997 Miller D8/354
D391,915 S * 3/1998 Miller D8/354
D409,077 S * 5/1999 Brooks D8/354
6,073,899 A * 6/2000 Omrani 248/316.7
D428,328 S * 7/2000 Jarnagin et al. D8/382

The broken line showing of the vent hood and vent is included for the purpose of illustrating use and environment and forms no part of the claimed design.

1 Claim, 4 Drawing Sheets



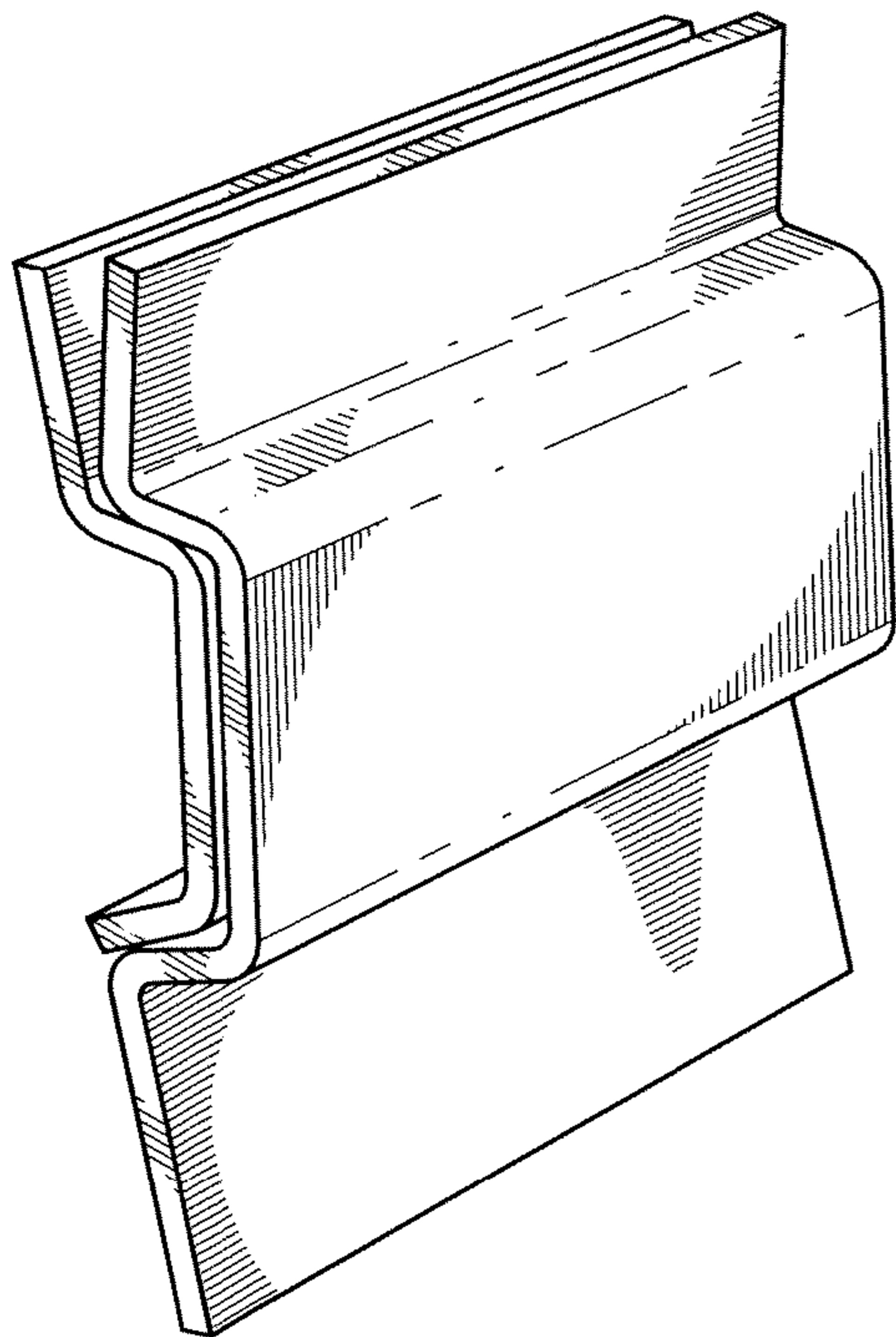


FIG. 1

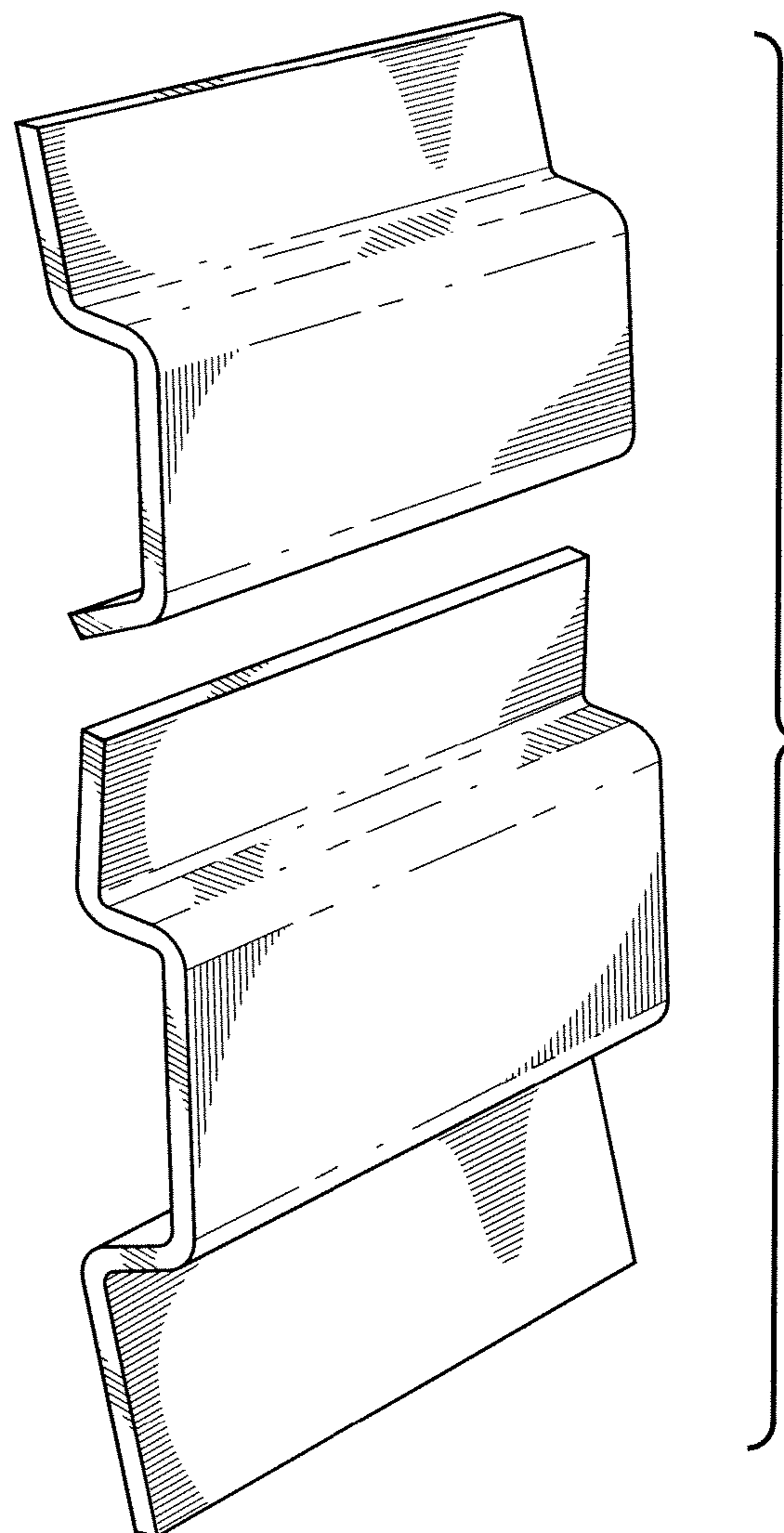


FIG. 2

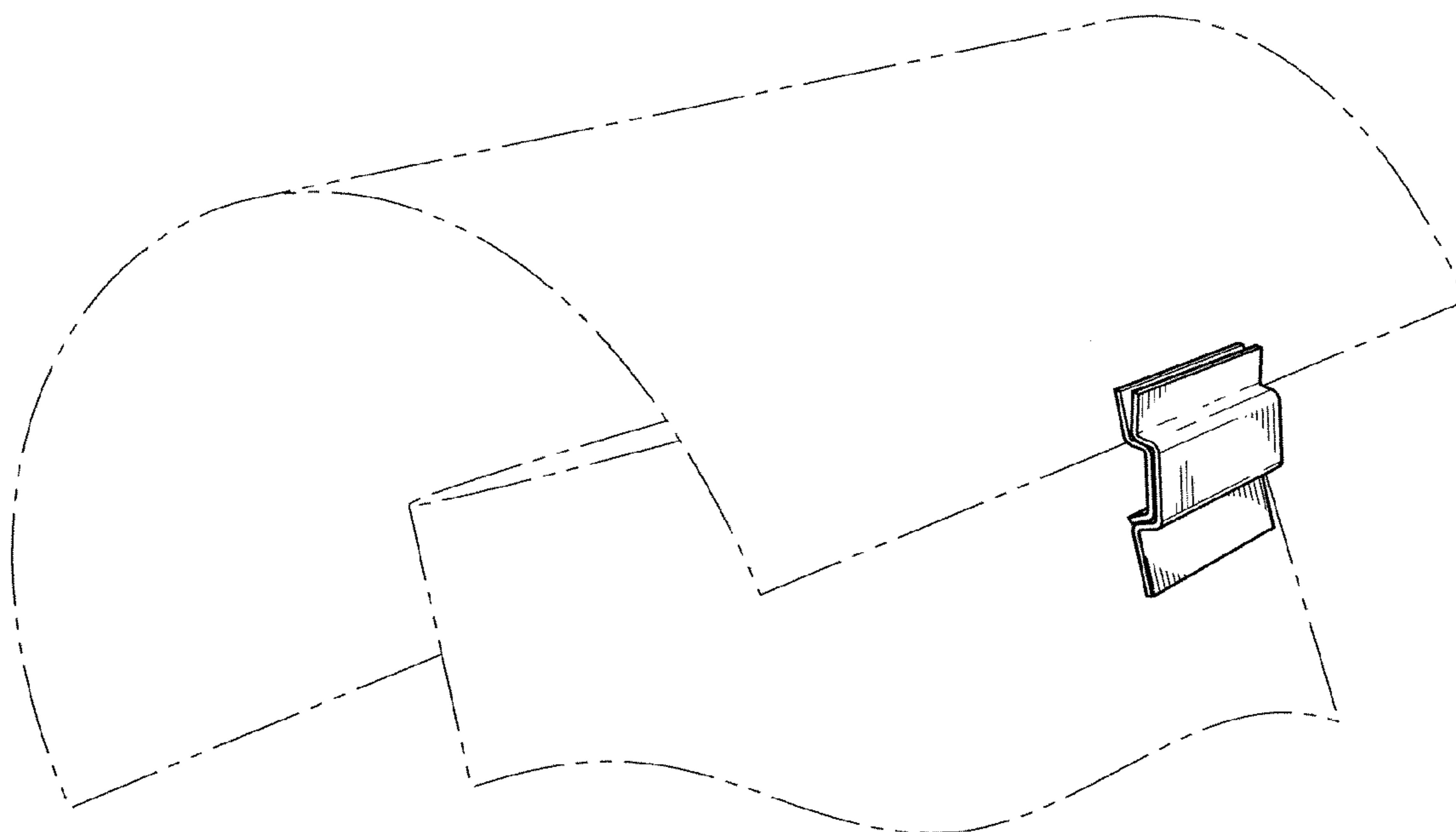


FIG. 3

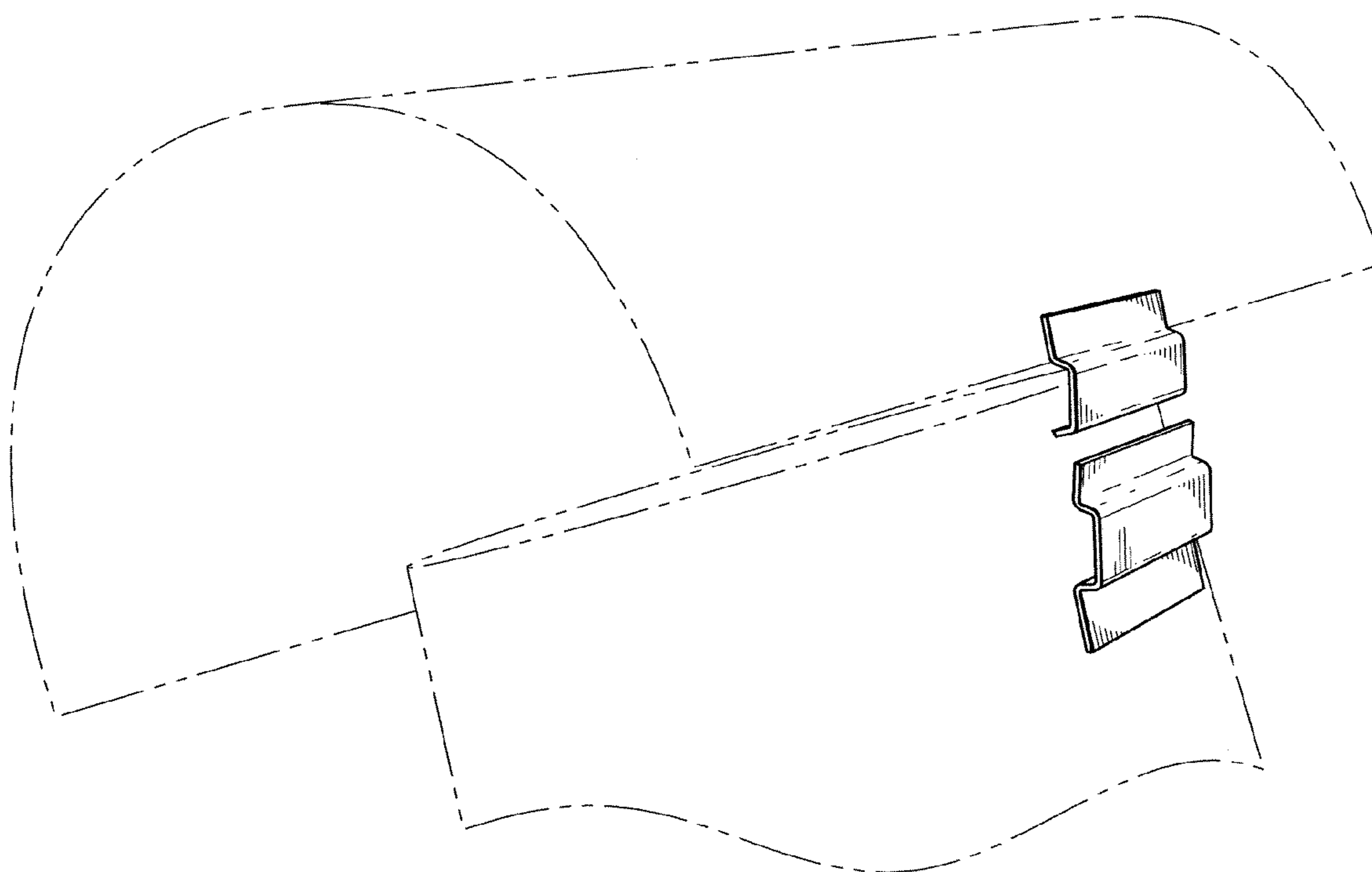


FIG. 4

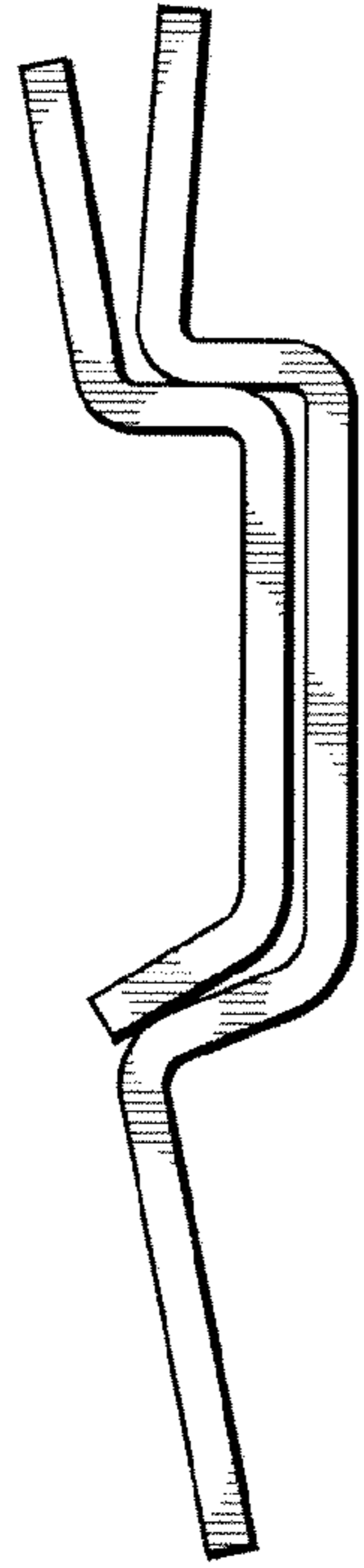


FIG. 5

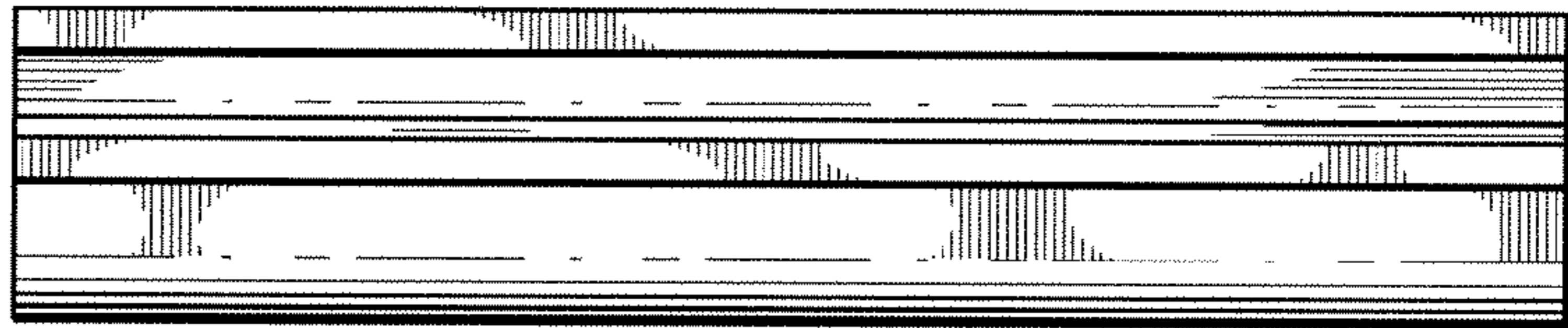


FIG. 6

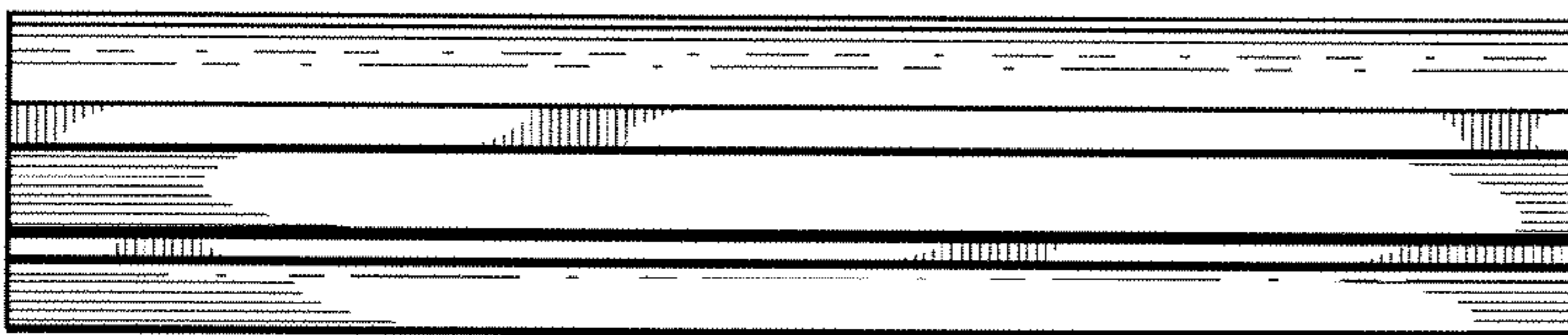


FIG. 7

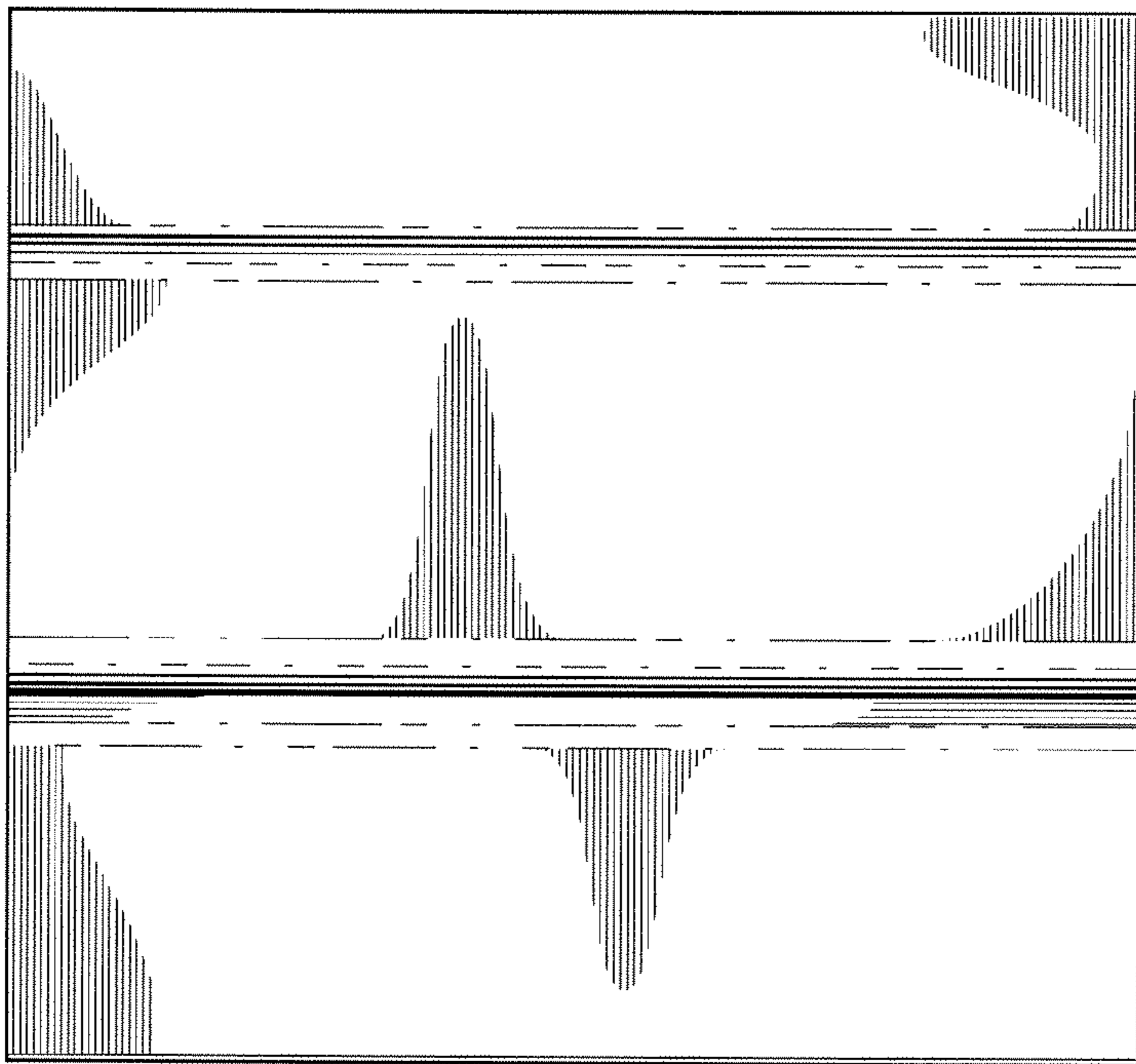


FIG. 8



FIG. 9