



US00D566823S

(12) **United States Design Patent**  
**Lewis**

(10) **Patent No.:** **US D566,823 S**  
(45) **Date of Patent:** **\*\* Apr. 15, 2008**

(54) **PORTABLE AIR CIRCULATOR**  
(75) Inventor: **William Lewis**, Denver, PA (US)  
(73) Assignee: **Lasko Holdings Inc.**, Wilmington, DE (US)

(\*\*) Term: **14 Years**

(21) Appl. No.: **29/288,942**

(22) Filed: **Jun. 27, 2007**

(51) **LOC (8) Cl.** ..... **23-04**

(52) **U.S. Cl.** ..... **D23/383**

(58) **Field of Classification Search** ..... D23/383,  
D23/370, 411; 415/206, 213.1, 214.1, 204  
See application file for complete search history.

(56) **References Cited**

**U.S. PATENT DOCUMENTS**

D219,588 S	*	12/1970	Laupot	.....	D23/370
D482,772 S	*	11/2003	Dooley	.....	D23/383
D503,788 S	*	4/2005	Wang et al.	.....	D23/383
D512,500 S	*	12/2005	Wilson, Jr.	.....	D23/383
D512,501 S	*	12/2005	Wilson, Jr.	.....	D23/383
D514,217 S	*	1/2006	Wilson, Jr.	.....	D23/383

\* cited by examiner

*Primary Examiner*—Lisa Lichtenstein  
(74) *Attorney, Agent, or Firm*—Martin Fruitman

(57) **CLAIM**

The ornamental design for a portable air circulator, as shown and described.

**DESCRIPTION**

FIG. 1 is a right side front perspective view of a portable air circulator showing my new design;

FIG. 2 is a left side rear perspective view thereof;

FIG. 3 is a front elevation view thereof;

FIG. 4 is a right side elevation view thereof;

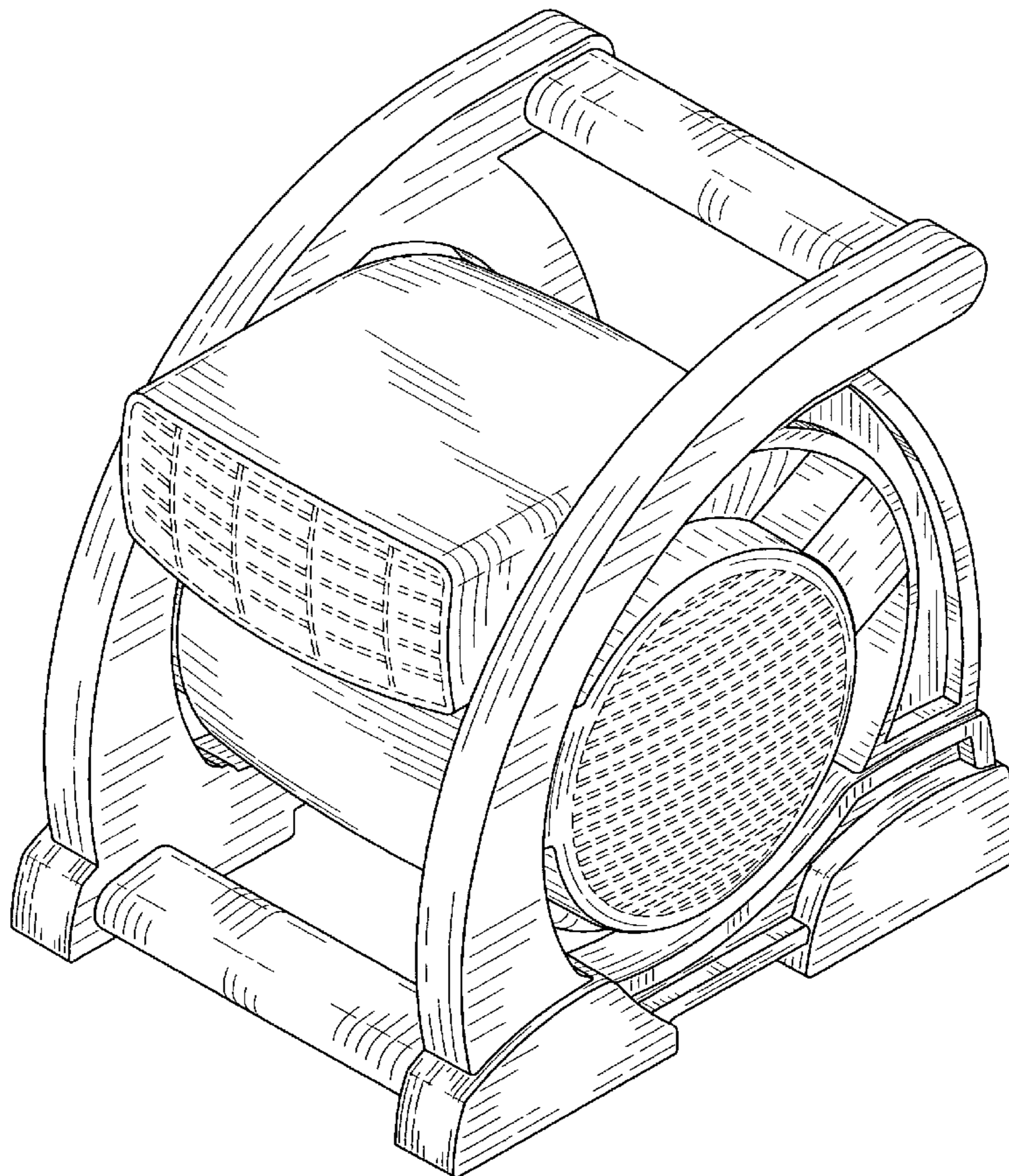
FIG. 5 is a left side elevation view thereof;

FIG. 6 is a rear elevation view thereof; and,

FIG. 7 is a top plan view thereof.

The broken line showing of the front grill, side grills, side button and side plugs is included for the purpose of illustrating environmental structure and forms no part of the claimed design.

**1 Claim, 7 Drawing Sheets**



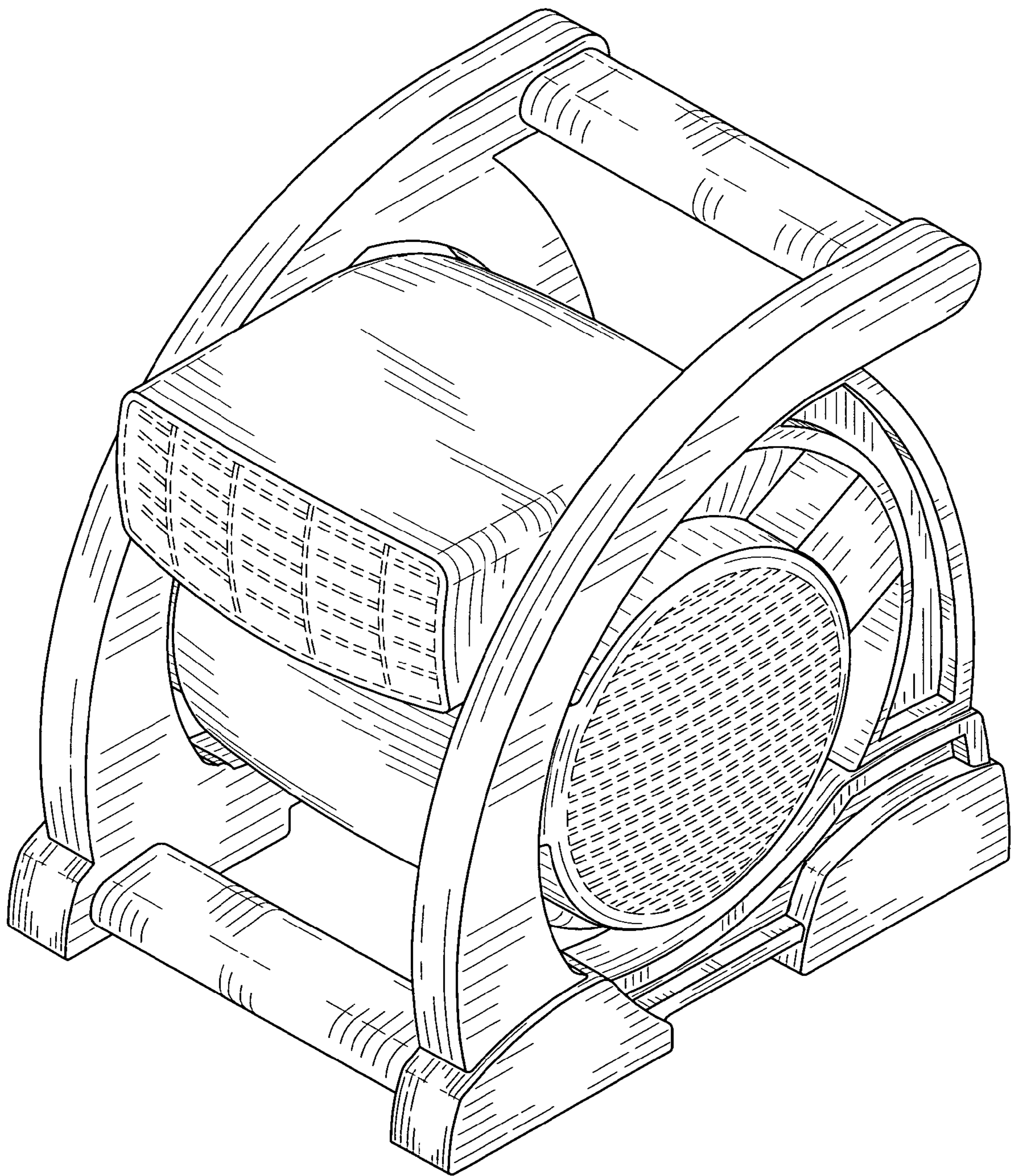


FIG. 1



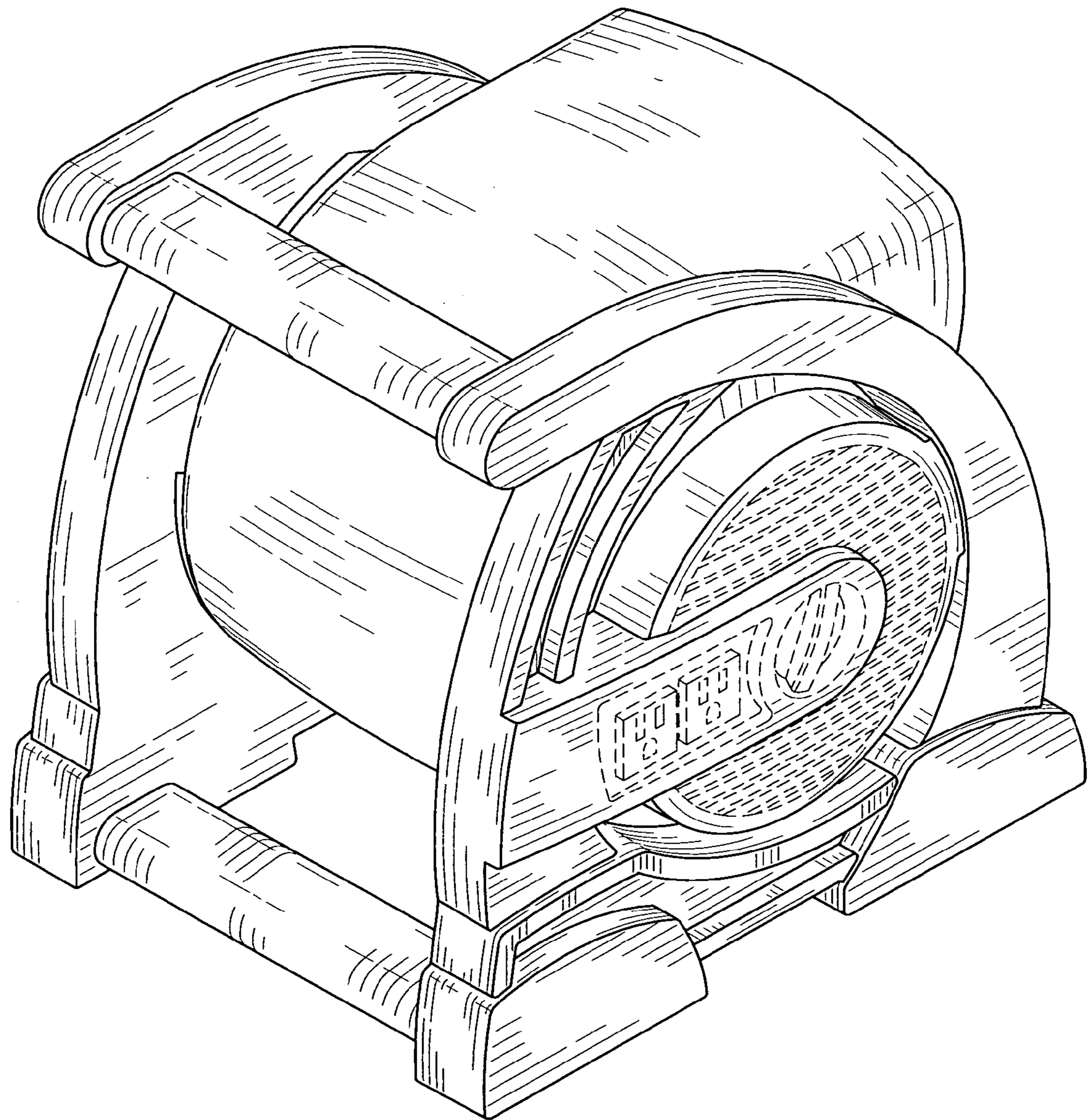


FIG. 2

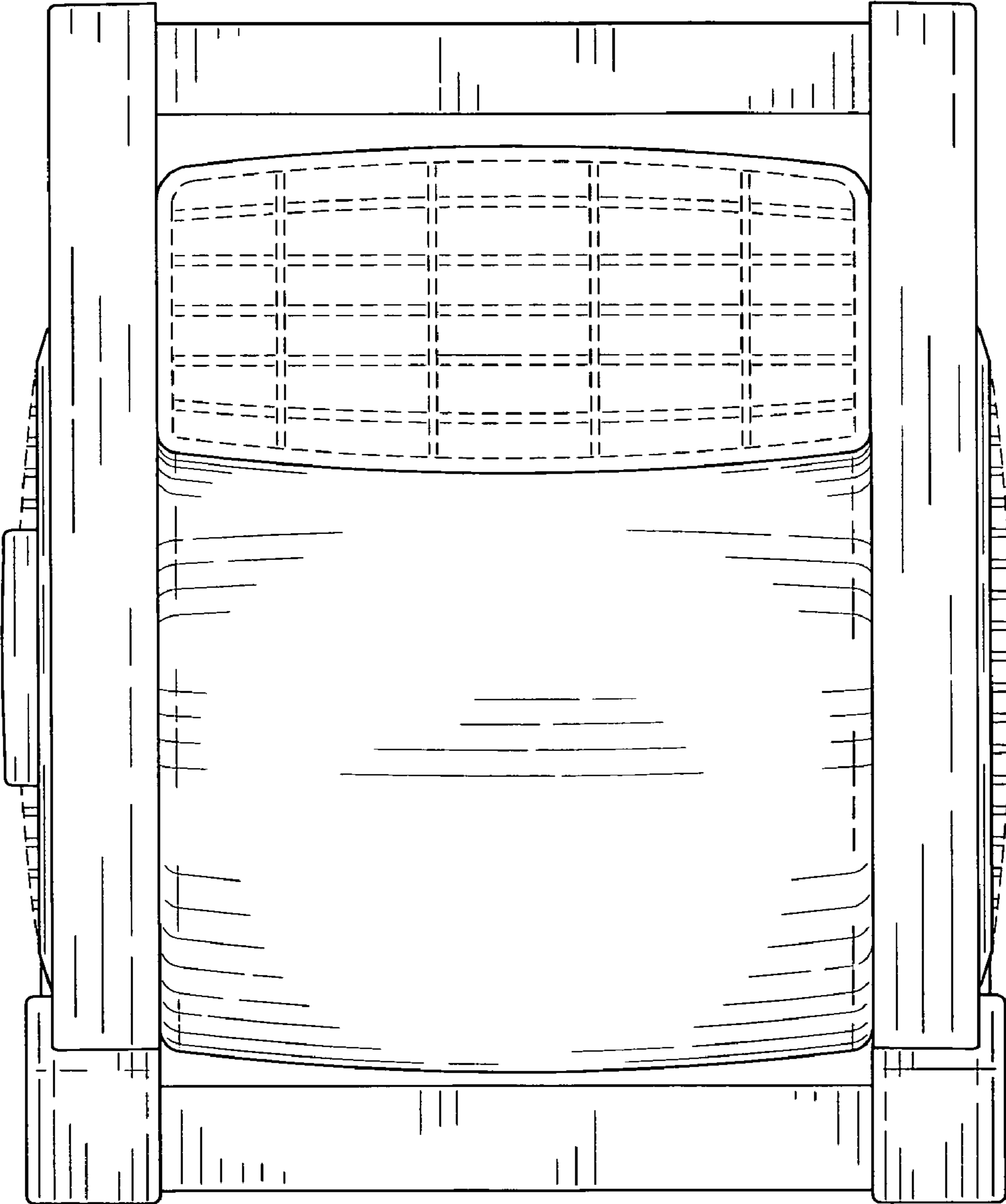


FIG. 3

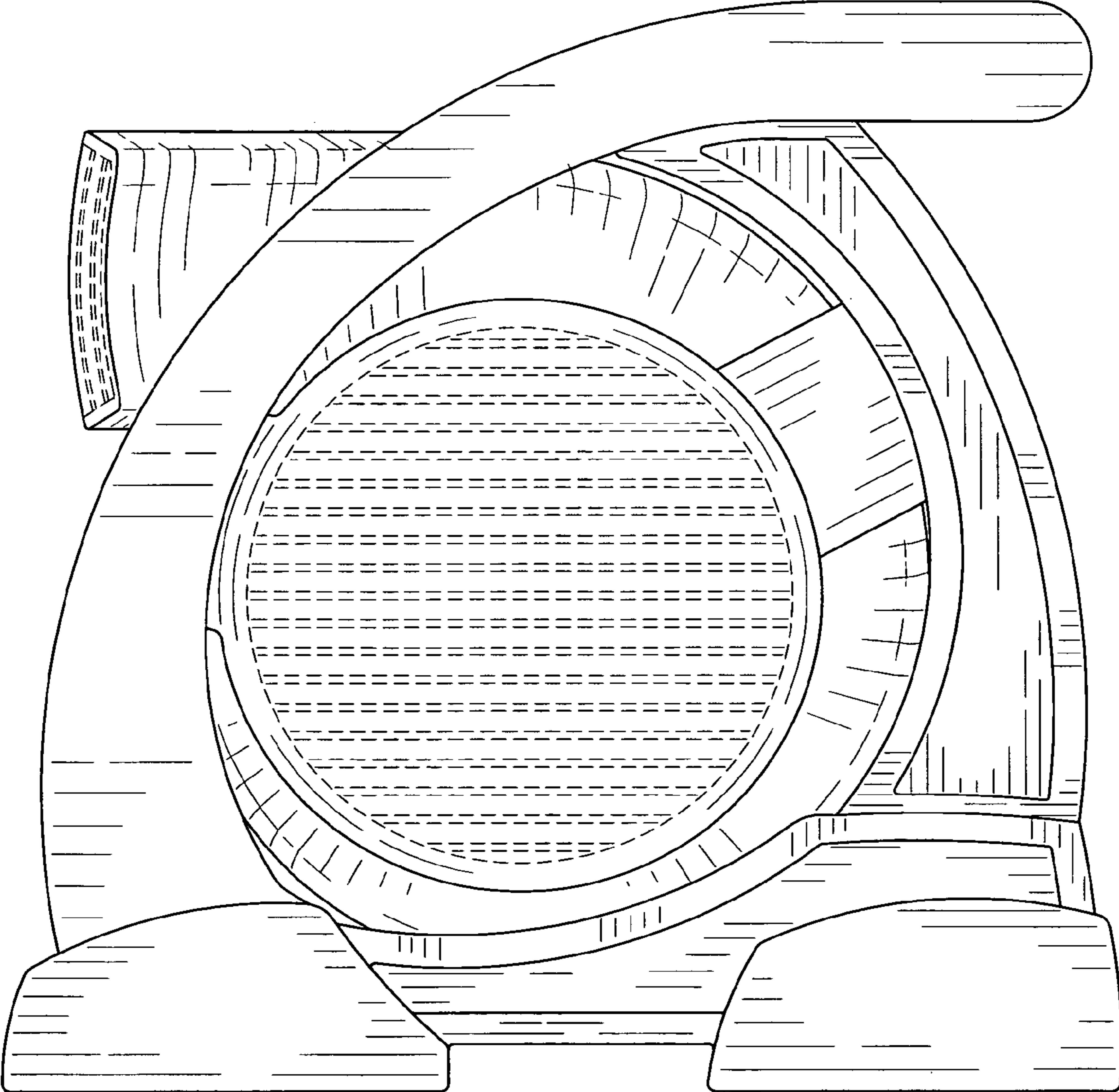


FIG. 4

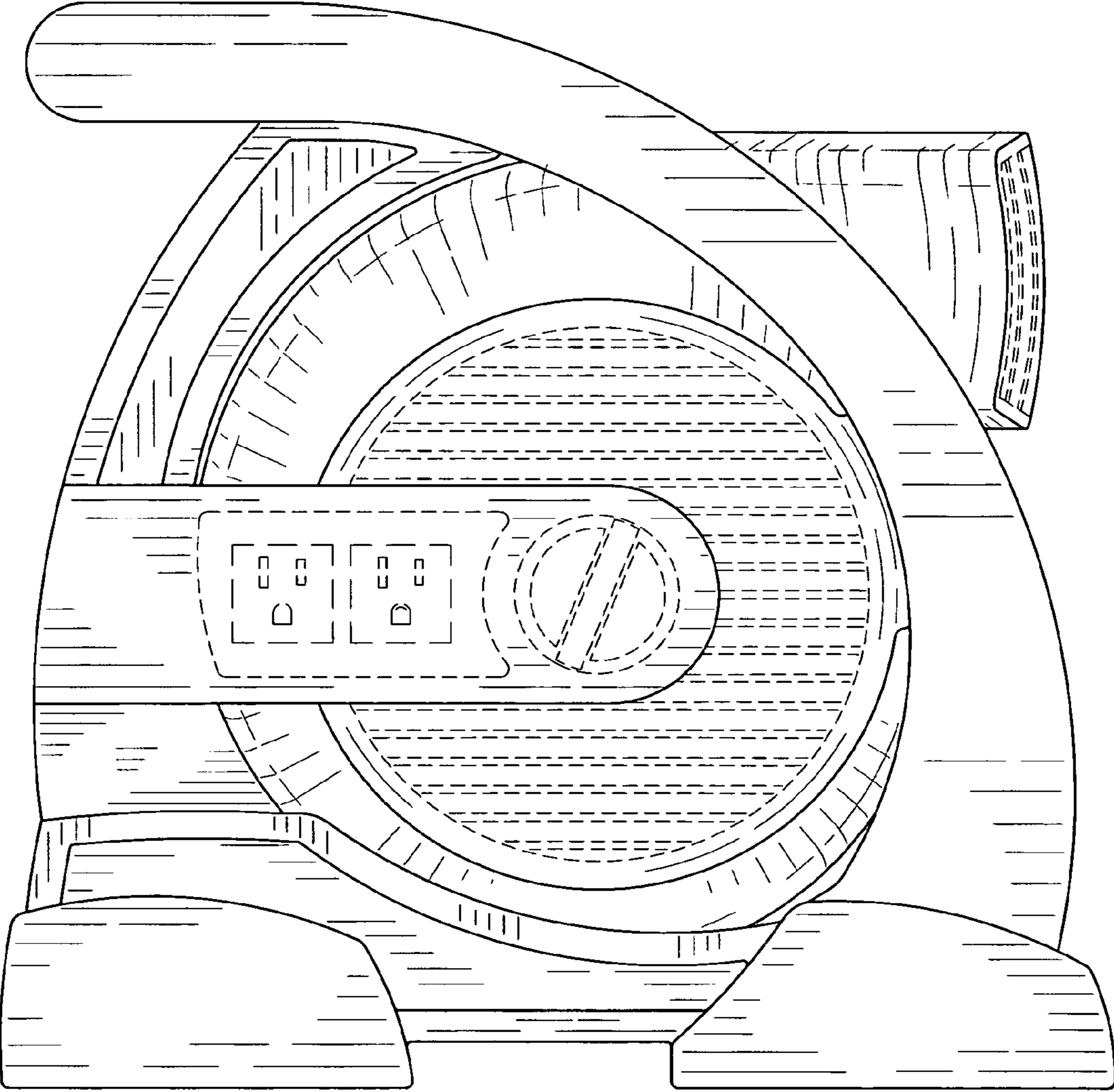


FIG. 5

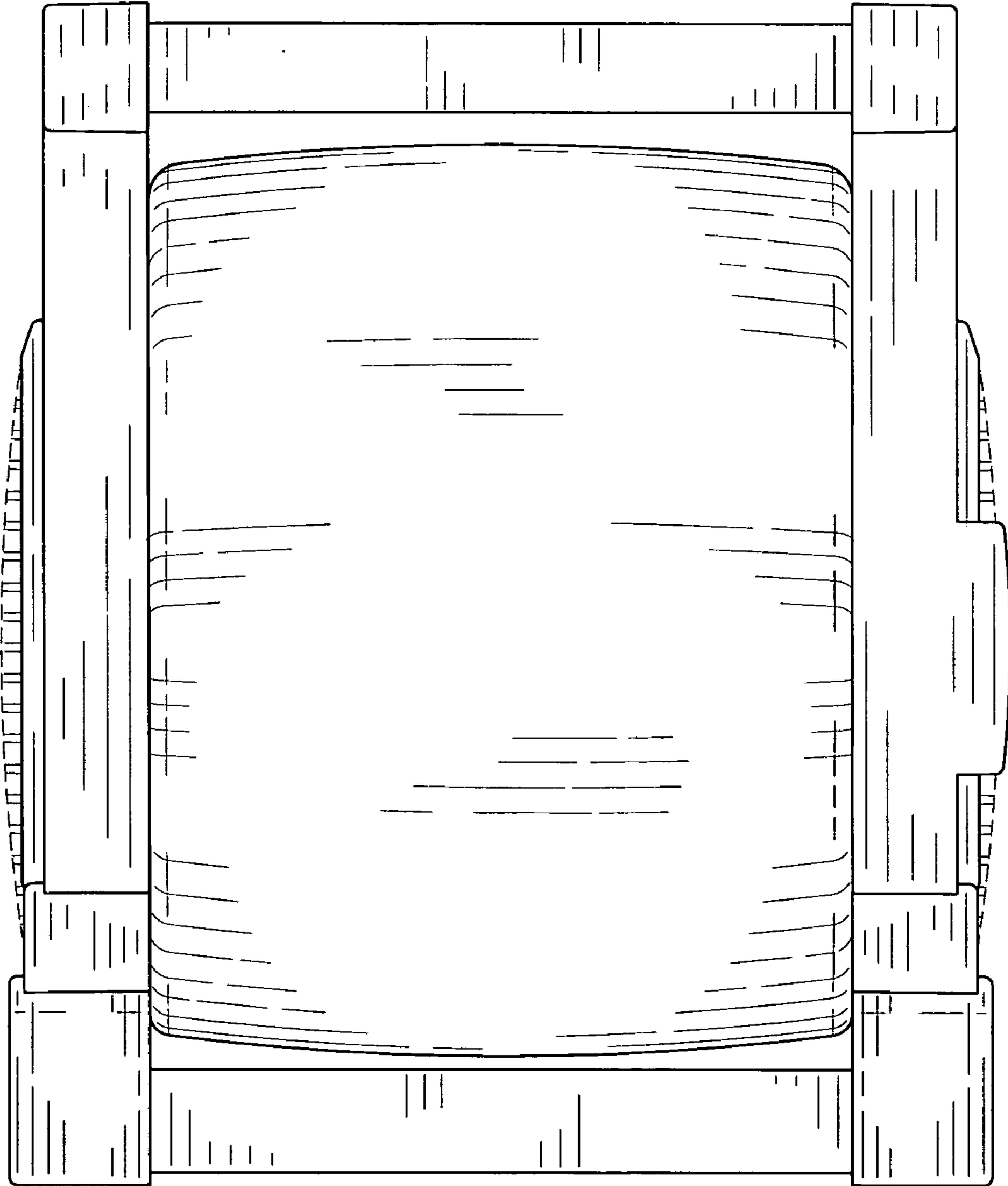


FIG. 6



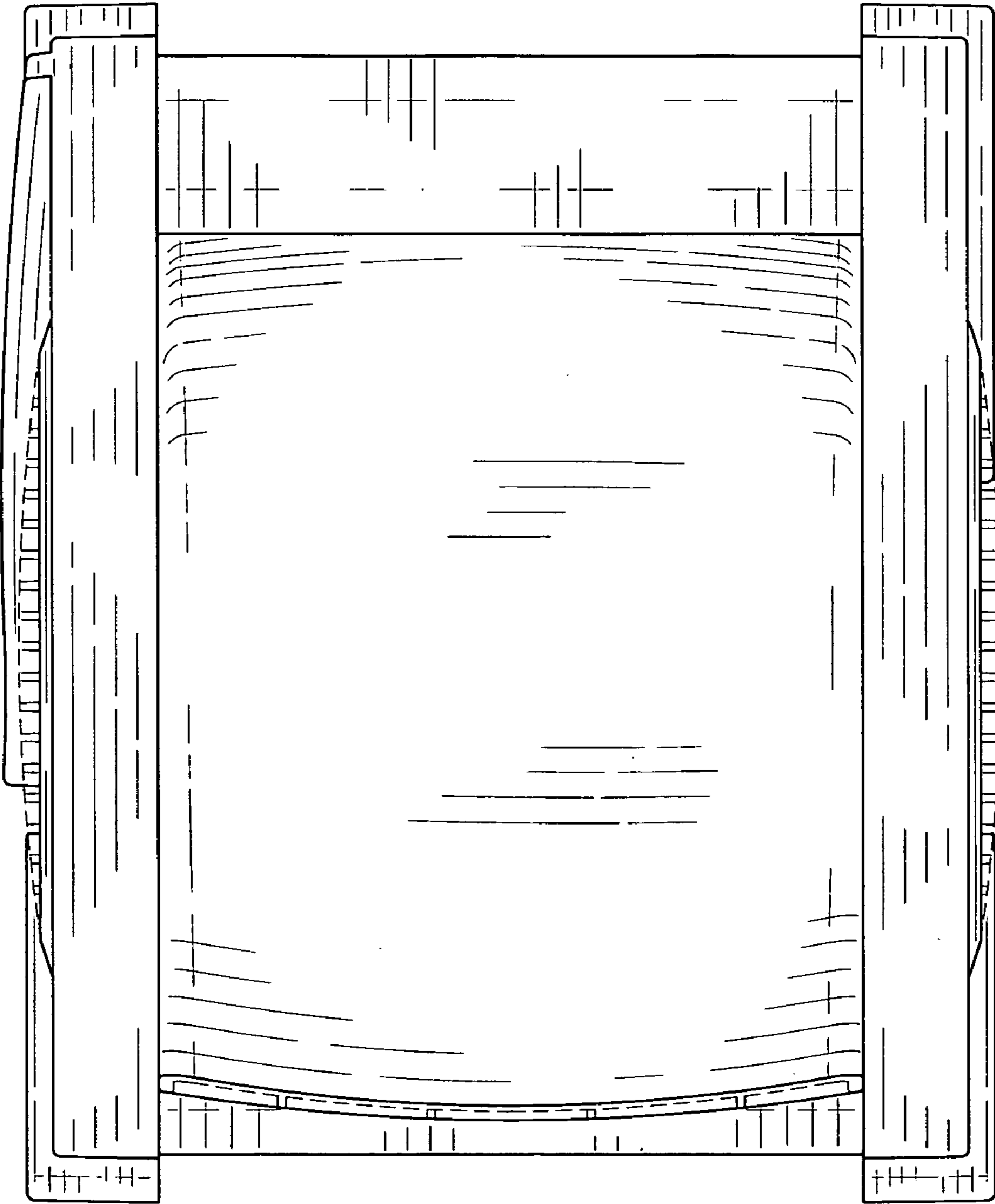


FIG. 7