

US00D566822S

(12) **United States Design Patent**
Blanchette et al.

(10) **Patent No.:** **US D566,822 S**
(45) **Date of Patent:** **** Apr. 15, 2008**

(54) **KITCHEN HOOD**

D433,495 S * 11/2000 Segers D23/372
D532,895 S * 11/2006 Home D23/372

(75) Inventors: **Dominic Blanchette**, Drummondville (CA); **Sébastien Lafond**, Drummondville (CA); **Daniel Marcoux**, St-Charles-de-Drummond (CA); **Denis Maltais**, Drummondville (CA); **Daniel Bathalon**, Drummondville (CA); **Benoit Gauthier**, St-Augustin-de-Desmaures (CA); **Benoit Orban**, St-Lambert (CA); **Patrick Mainville**, Montreal (CA); **Catherine Turgy**, Montreal (CA)

* cited by examiner

Primary Examiner—Lisa Lichtenstein

(73) Assignee: **Venmar Ventilation Inc.**, Drummondville (CA)

(57) **CLAIM**

The ornamental design for a kitchen hood, as shown and described.

(**) Term: **14 Years**

DESCRIPTION

(21) Appl. No.: **29/261,944**

FIG. 1 is a top perspective view of the kitchen hood;
FIG. 2 is a top view of the kitchen hood of FIG. 1;
FIG. 3 is a front view of the kitchen hood of FIG. 1;
FIG. 4 is a left side view of the kitchen hood of FIG. 1;
FIG. 5 is a right side view of the kitchen hood of FIG. 1;
FIG. 6 is a rear perspective view of the kitchen hood of FIG. 1; and,
FIG. 7 is a bottom perspective view of the kitchen hood of FIG. 1;

(22) Filed: **Jun. 23, 2006**

(30) **Foreign Application Priority Data**

Apr. 7, 2006 (CA) 115353

(51) **LOC (8) Cl.** **23-04**

(52) **U.S. Cl.** **D23/372**

(58) **Field of Classification Search** D23/372, D23/371, 370; D7/406; 126/299 D, 299 R
See application file for complete search history.

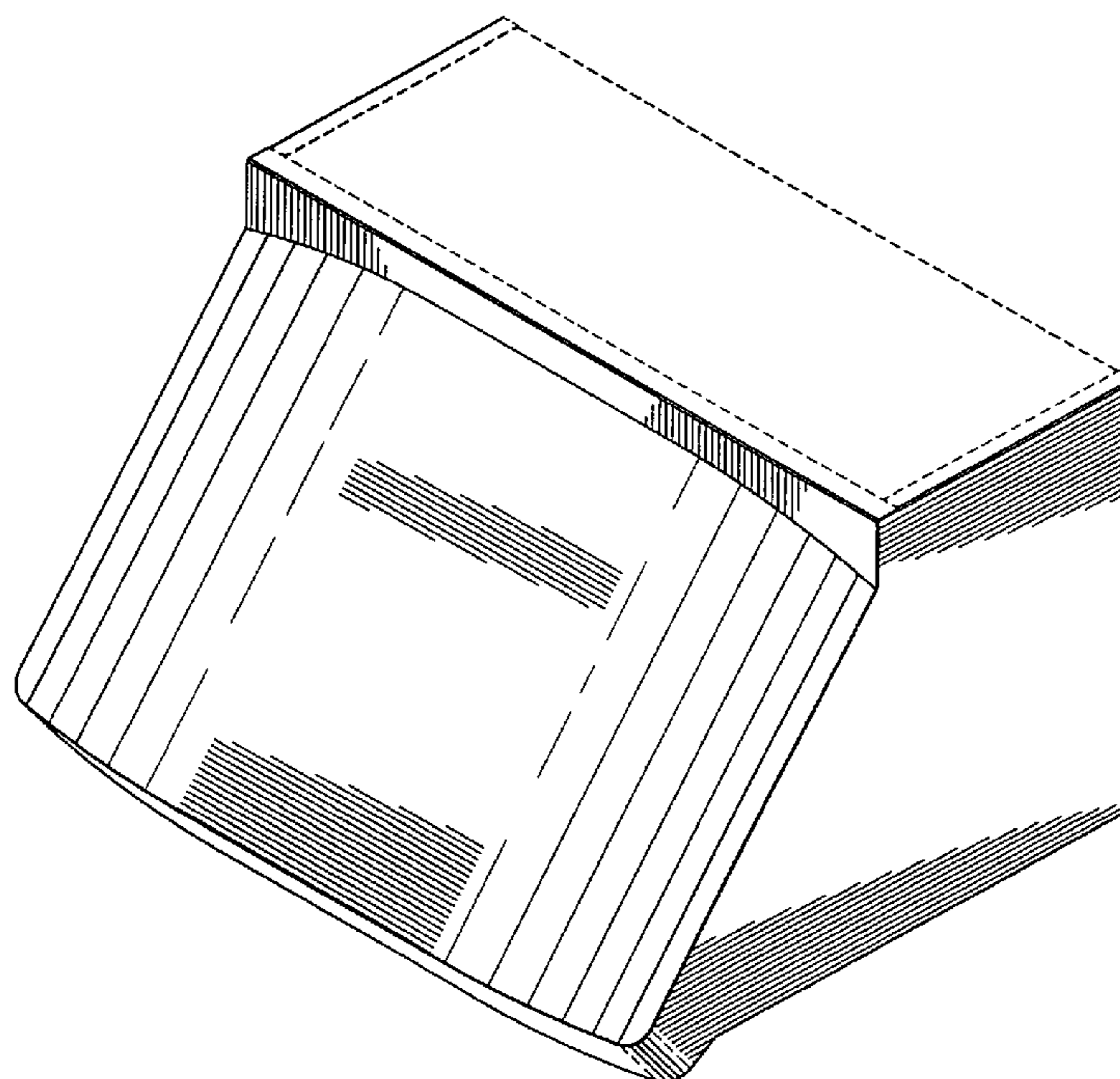
The broken line showing of environmental structure is for illustrative purposes only and forms no part of the claimed design.

(56) **References Cited**

U.S. PATENT DOCUMENTS

D325,966 S * 5/1992 Wei D23/372

1 Claim, 4 Drawing Sheets



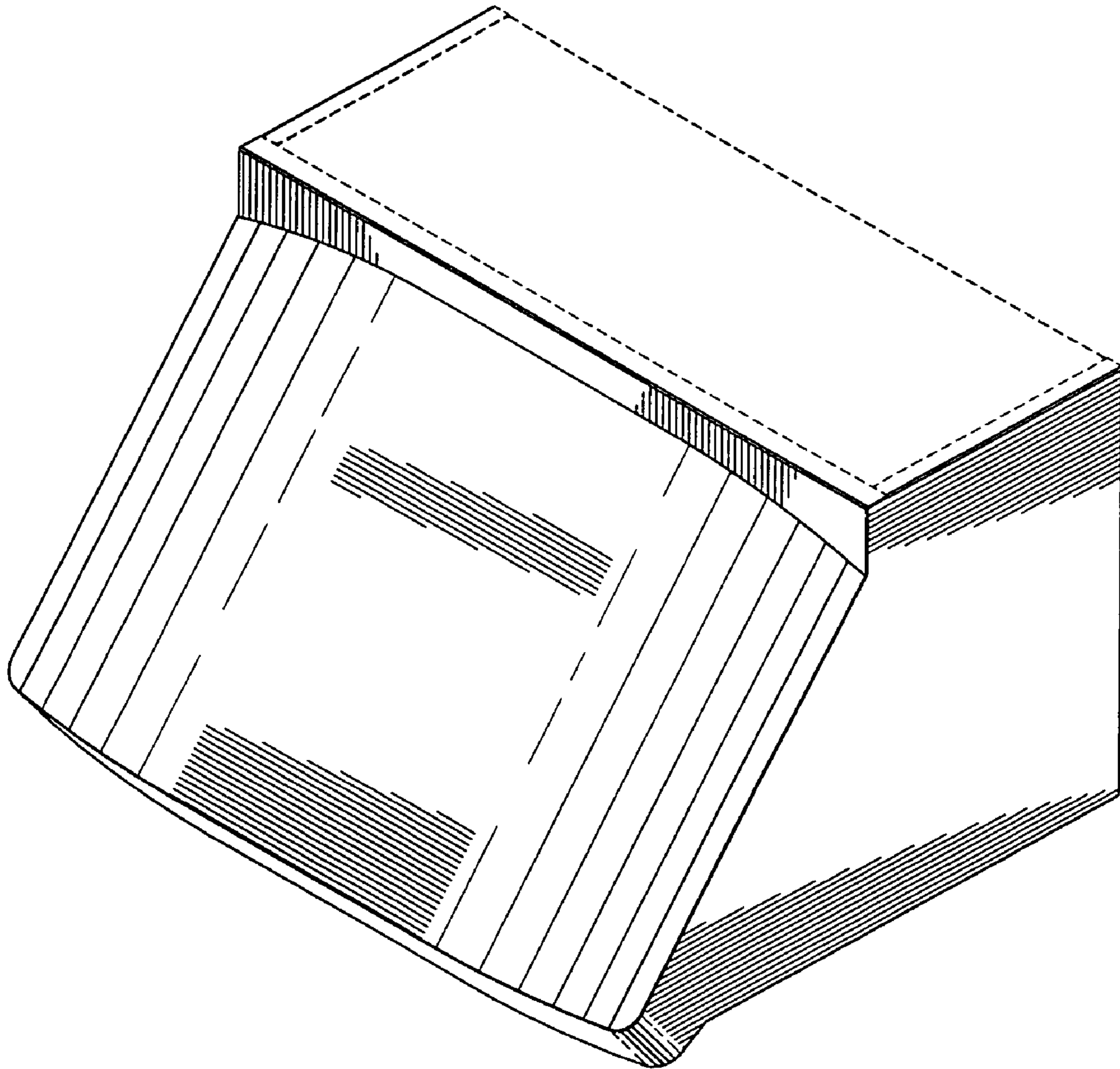


FIG. 1

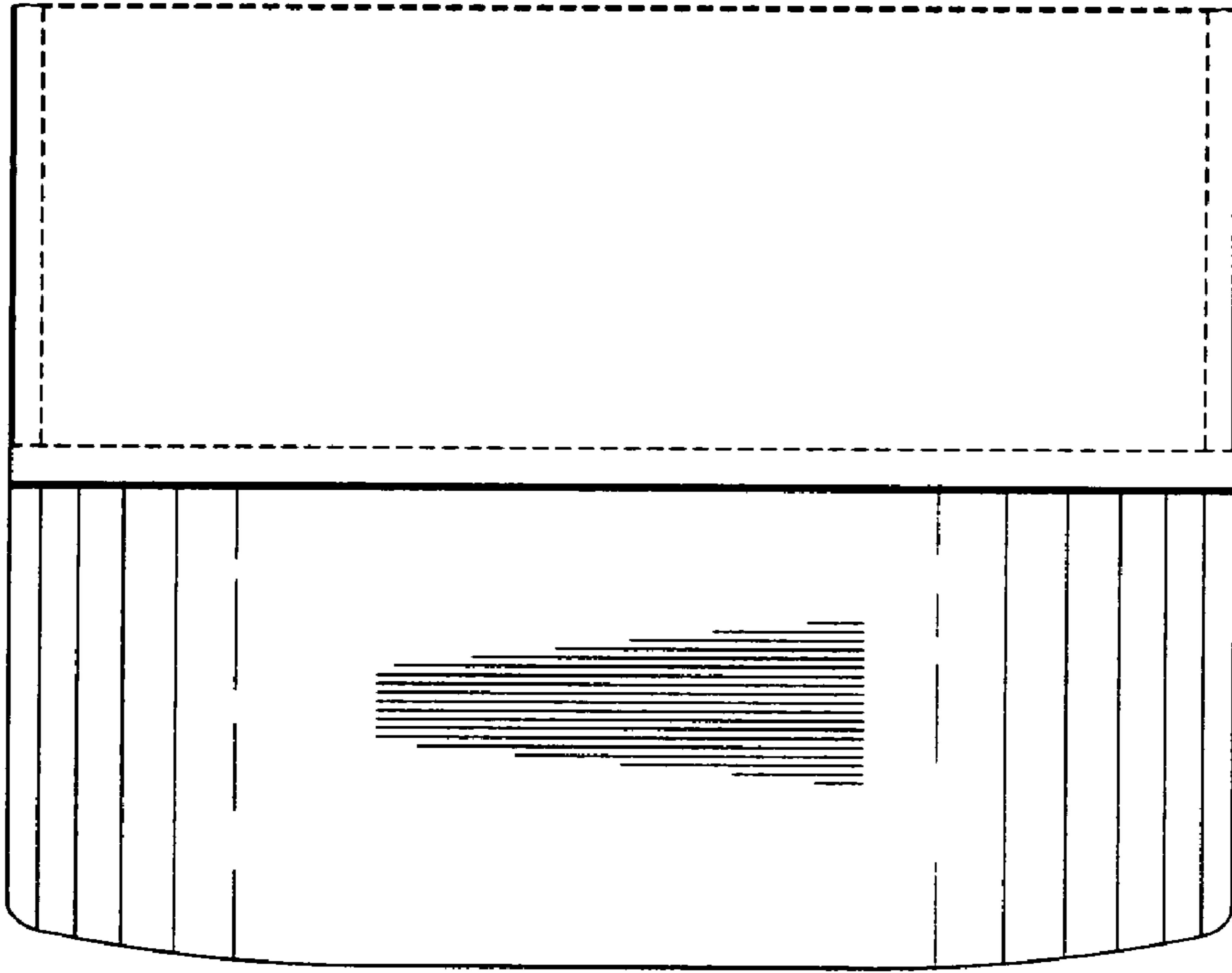


FIG. 2

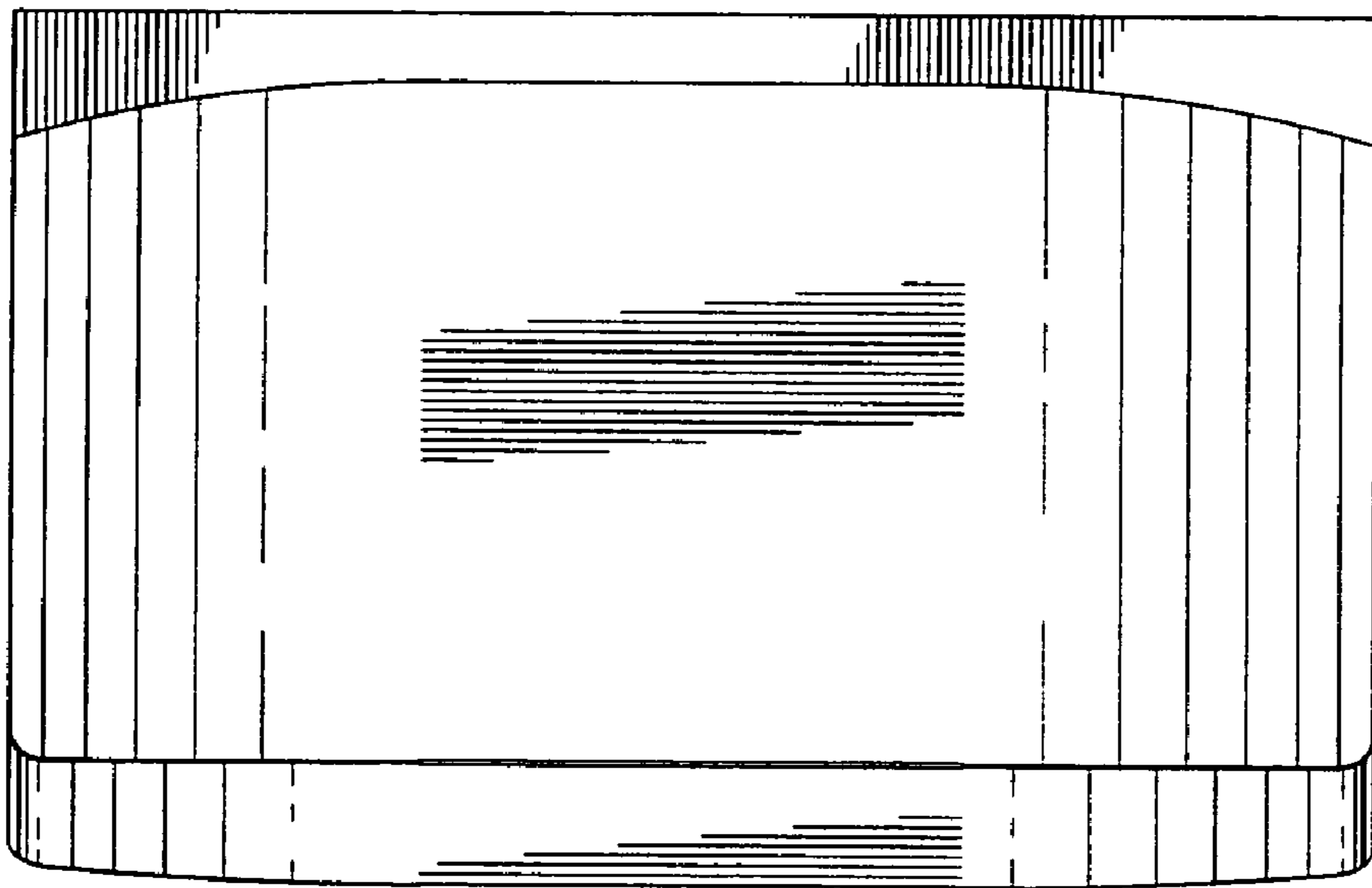


FIG. 3

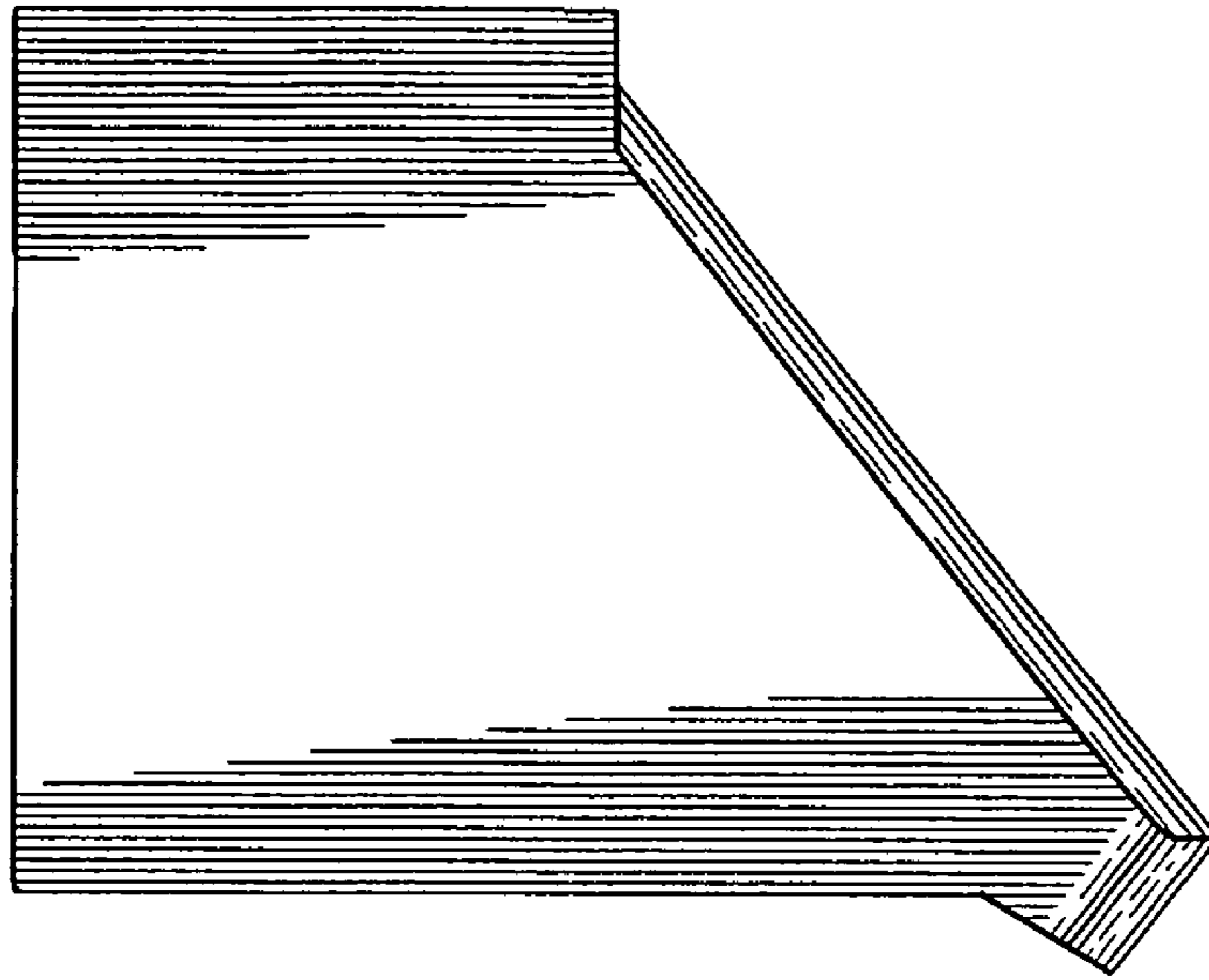


FIG. 4

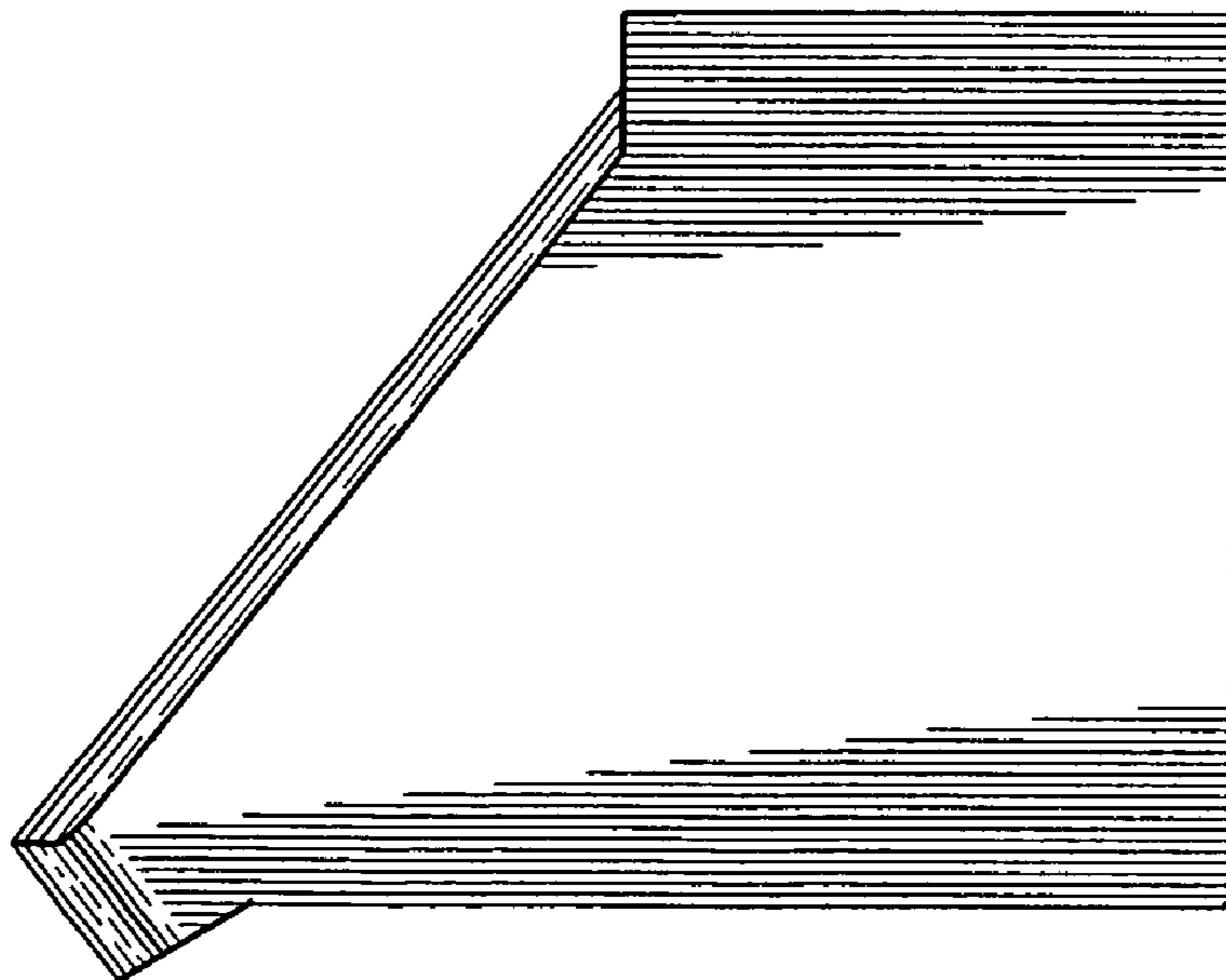


FIG. 5

