

US00D566821S

(12) **United States Design Patent**
Wilsdorf

(10) **Patent No.:** **US D566,821 S**

(45) **Date of Patent:** **** Apr. 15, 2008**

(54) **EXHAUST HOOD**

D516,695 S * 3/2006 Vetter D23/372

(75) Inventor: **Gerd Wilsdorf**, Olching (DE)

* cited by examiner

(73) Assignee: **BSH Bosch und Siemens Hausgeraete GmbH**, Munich (DE)

Primary Examiner—Lisa Lichtenstein
(74) *Attorney, Agent, or Firm*—Russell W. Warnock; James E. Howard

(**) Term: **14 Years**

(57) **CLAIM**

(21) Appl. No.: **29/251,361**

The ornamental design for an exhaust hood, as shown and described.

(22) Filed: **Jan. 6, 2006**

(30) **Foreign Application Priority Data**

DESCRIPTION

Jul. 12, 2005 (EM) 000376694

FIG. 1 is a perspective view of an exhaust hood showing my ornamental design;

(51) **LOC (8) Cl.** **23-04**

FIG. 2 is a close-up perspective view of the exhaust hood embodiment shown in FIG. 1 taken along lines 2—2 in FIG. 1;

(52) **U.S. Cl.** **D23/372**

(58) **Field of Classification Search** D23/372, D23/371, 370; D7/406; 126/299 D, 299 R
See application file for complete search history.

FIG. 3 is a front perspective view of the exhaust hood embodiment shown in FIG. 1;

(56) **References Cited**

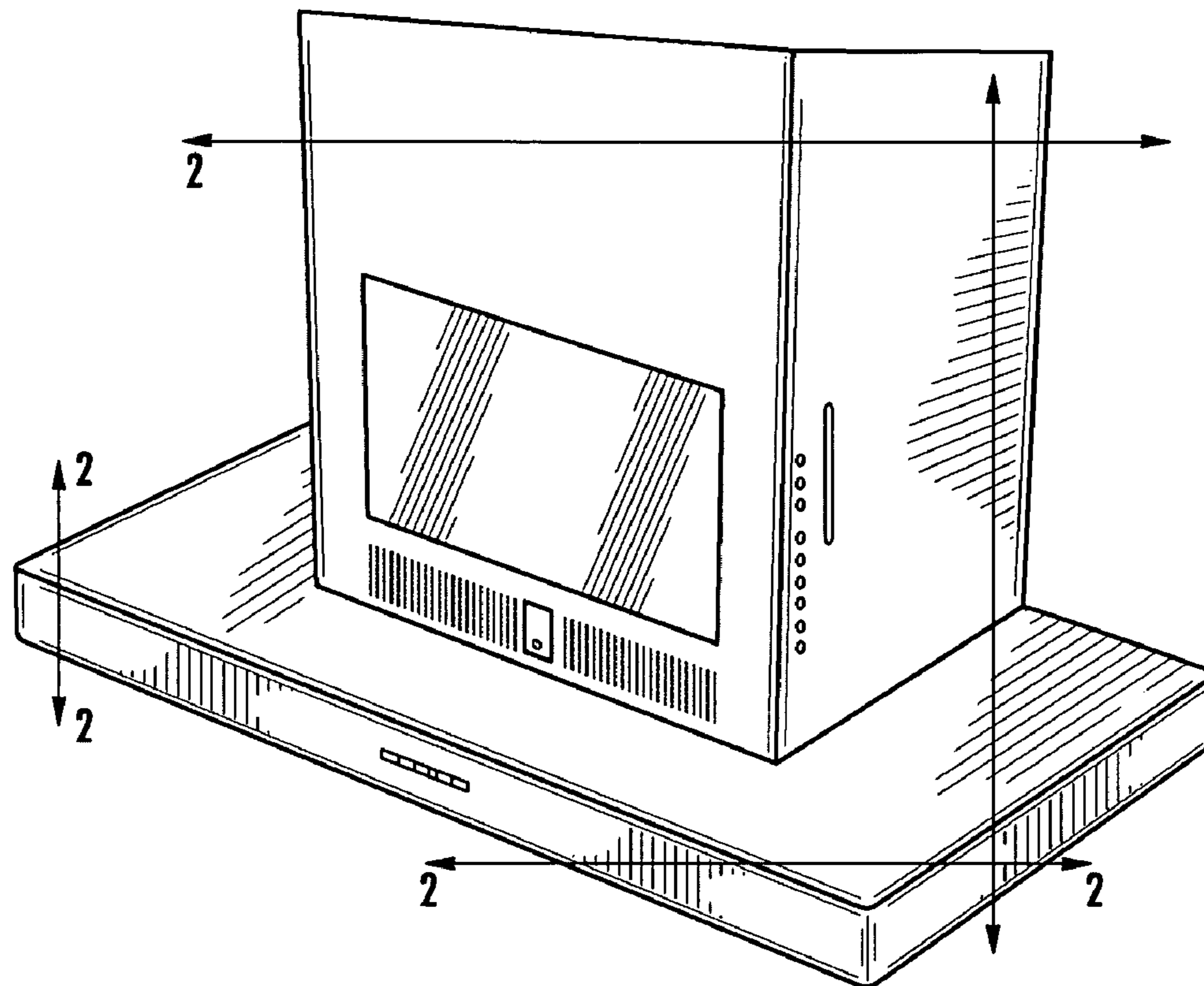
FIG. 4 is a right side perspective view of the exhaust hood embodiment shown in FIG. 1; and,

U.S. PATENT DOCUMENTS

FIG. 5 is a left side perspective view of the exhaust hood embodiment shown in FIG. 1.

- D471,268 S * 3/2003 Segers D23/372
- D487,505 S * 3/2004 Grobleben D23/371
- D490,887 S * 6/2004 Segers D23/372
- D516,694 S * 3/2006 Vetter D23/372

1 Claim, 5 Drawing Sheets



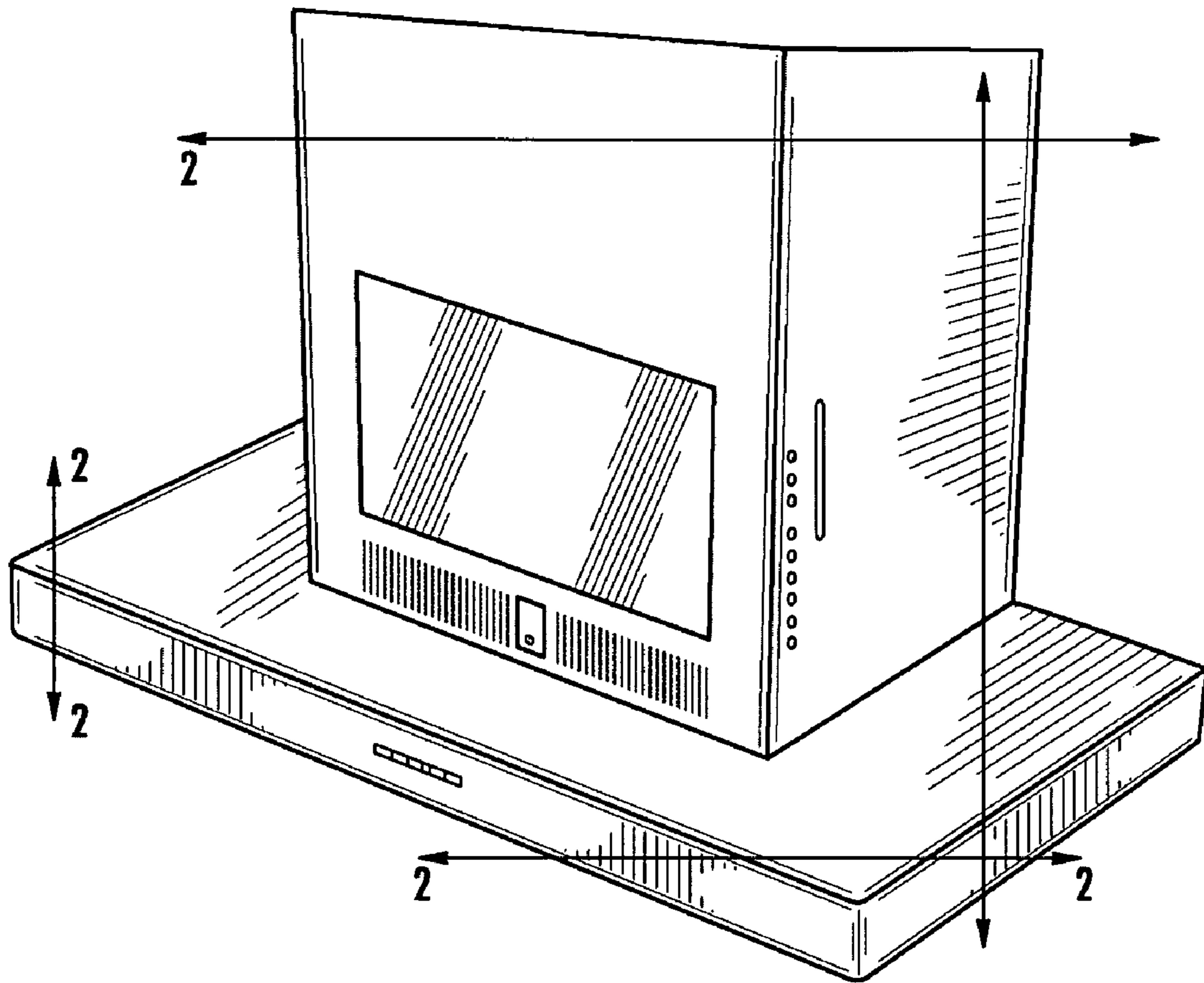


FIG. 1

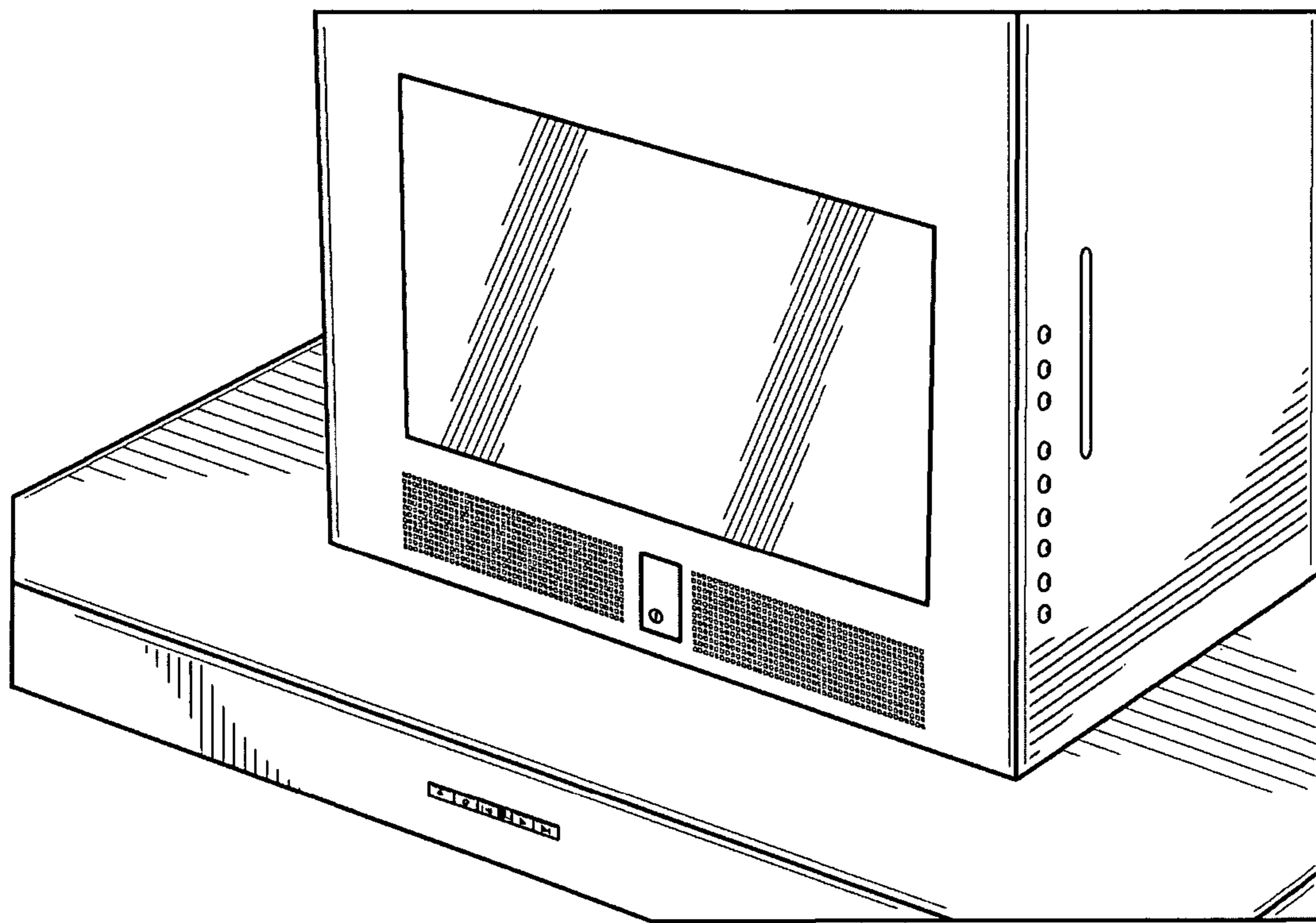


FIG. 2

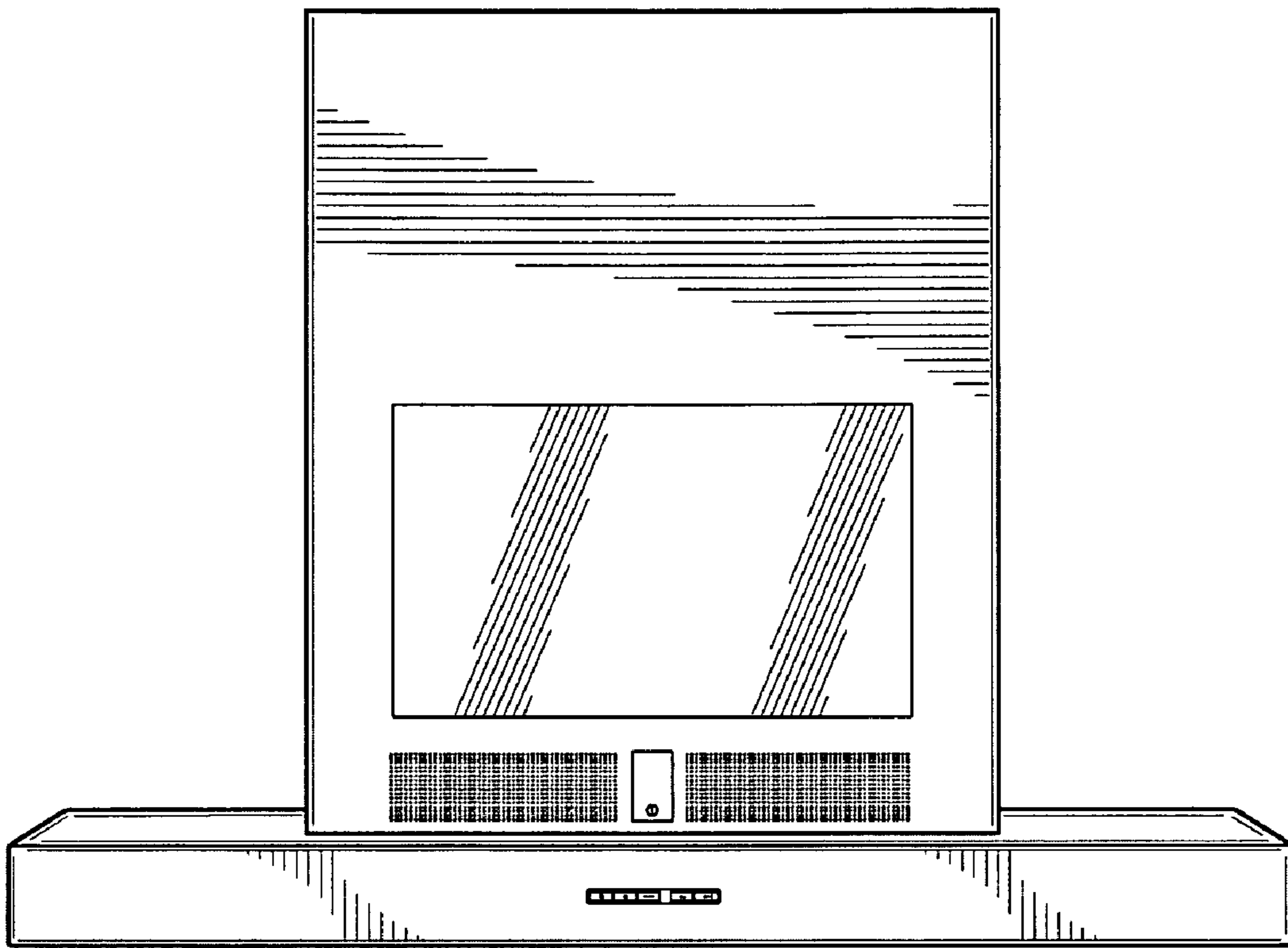


FIG. 3

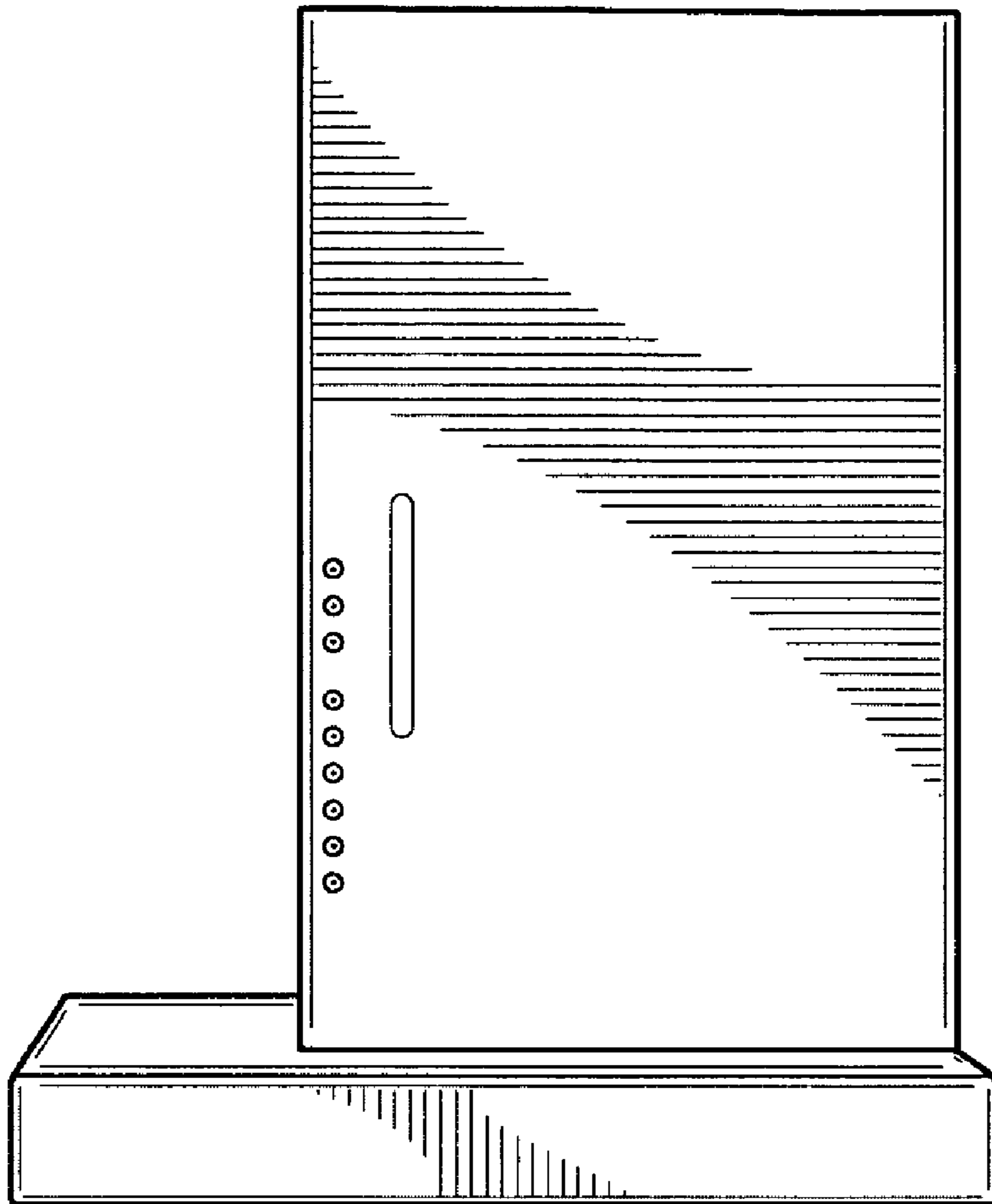


FIG. 4

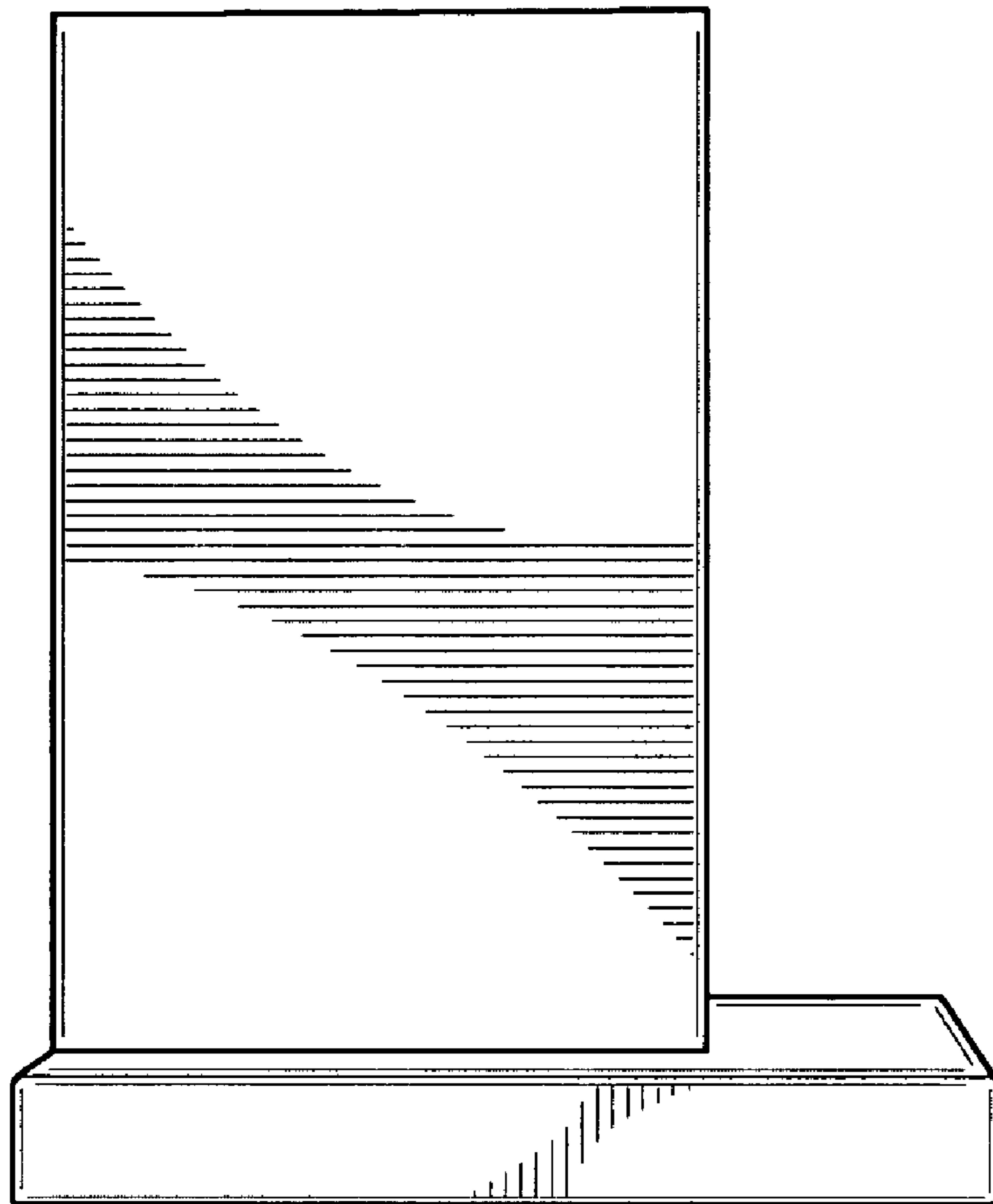


FIG. 5