



US00D566818S

(12) **United States Design Patent**
Kohler, Jr. et al.

(10) **Patent No.:** **US D566,818 S**
(45) **Date of Patent:** **** Apr. 15, 2008**

(54) **SPOUT**

(75) Inventors: **Herbert V. Kohler, Jr.**, Kohler, WI (US); **Howard M. Montgomery**, Sheboygan, WI (US); **John Blomstrom**, Sheboygan Falls, WI (US); **Chris Hisey**, Plymouth, WI (US); **Dan Alberti**, West Allis, WI (US)

(73) Assignee: **Kohler Co.**, Kohler, WI (US)

(**) Term: **14 Years**

(21) Appl. No.: **29/256,686**

(22) Filed: **Mar. 23, 2006**

(51) **LOC (8) Cl.** **23-01**

(52) **U.S. Cl.** **D23/255**

(58) **Field of Classification Search** D23/238-243, D23/250-257; 4/675-678; 137/801
See application file for complete search history.

(56) **References Cited**

U.S. PATENT DOCUMENTS

D476,396 S * 6/2003 Hanna D23/238
D505,483 S 5/2005 Bayer
D530,785 S * 10/2006 Rexach et al. D23/238

OTHER PUBLICATIONS

Hudson Reed, "Single Lever Mono Basin Mixer". Copyright 2006 Hudson Reed.
Kohler Co., Kohler Co. online catalog; "Forte Single-Control Kitchen Sink Faucet with Lever Handle".
Kohler Co., "Forte Widespread Lavatory Faucet with Sculpted Lever Handles". Kohler Co. online catalog.
Victorian Bathrooms. "Serie II Single-Lever Basin Mixer". Victorian Bathrooms online catalog.
Kohler Co., "Fairfax Single-Control Remote Valve Kitchen Sink Faucet". Kohler Co. online catalog.

* cited by examiner

Primary Examiner—Robert A. Delehanty

(74) *Attorney, Agent, or Firm*—Quarles & Brady LLP

(57) **CLAIM**

The ornamental design for a spout, as shown and described.

DESCRIPTION

In a preferred embodiment, the nature of this product is a spout for a faucet.

FIG. 1 is a left, top, front perspective view of a spout according to our new design;

FIG. 2 is a left side elevational view thereof, the right side elevational view thereof being a mirror image of the left side shown;

FIG. 3 is a front elevational view thereof;

FIG. 4 is a rear elevational view thereof;

FIG. 5 is a top plan view thereof;

FIG. 6 is a bottom plan view thereof;

FIG. 7 is a left, top, front perspective view of a spout according to another embodiment of our new design;

FIG. 8 is a left side elevational view thereof, the right side elevational view being a mirror image of the left side shown;

FIG. 9 is a front elevational view thereof;

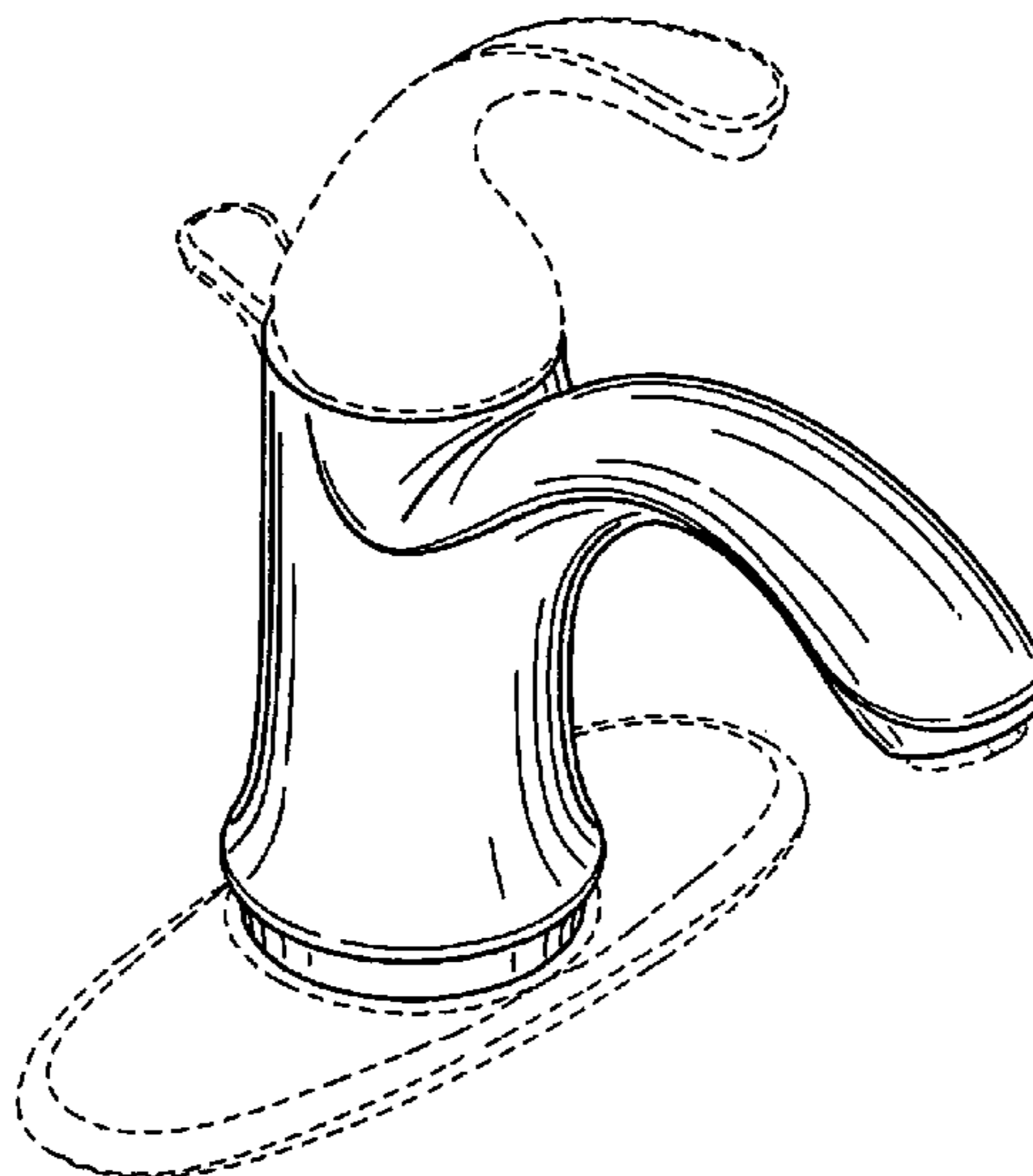
FIG. 10 is a rear elevational view thereof;

FIG. 11 is a top plan view thereof; and,

FIG. 12 is a bottom plan view thereof.

The broken line representations of handle environment in FIGS. 1-5 and 7-11, pull-up lever environment in FIGS. 1-2 and 4-6, escutcheon environment in FIGS. 1-5 and spout openings in FIGS. 1-3, 6-9 and 12 are for the purpose of illustration only, and form no part of the claimed design.

1 Claim, 6 Drawing Sheets



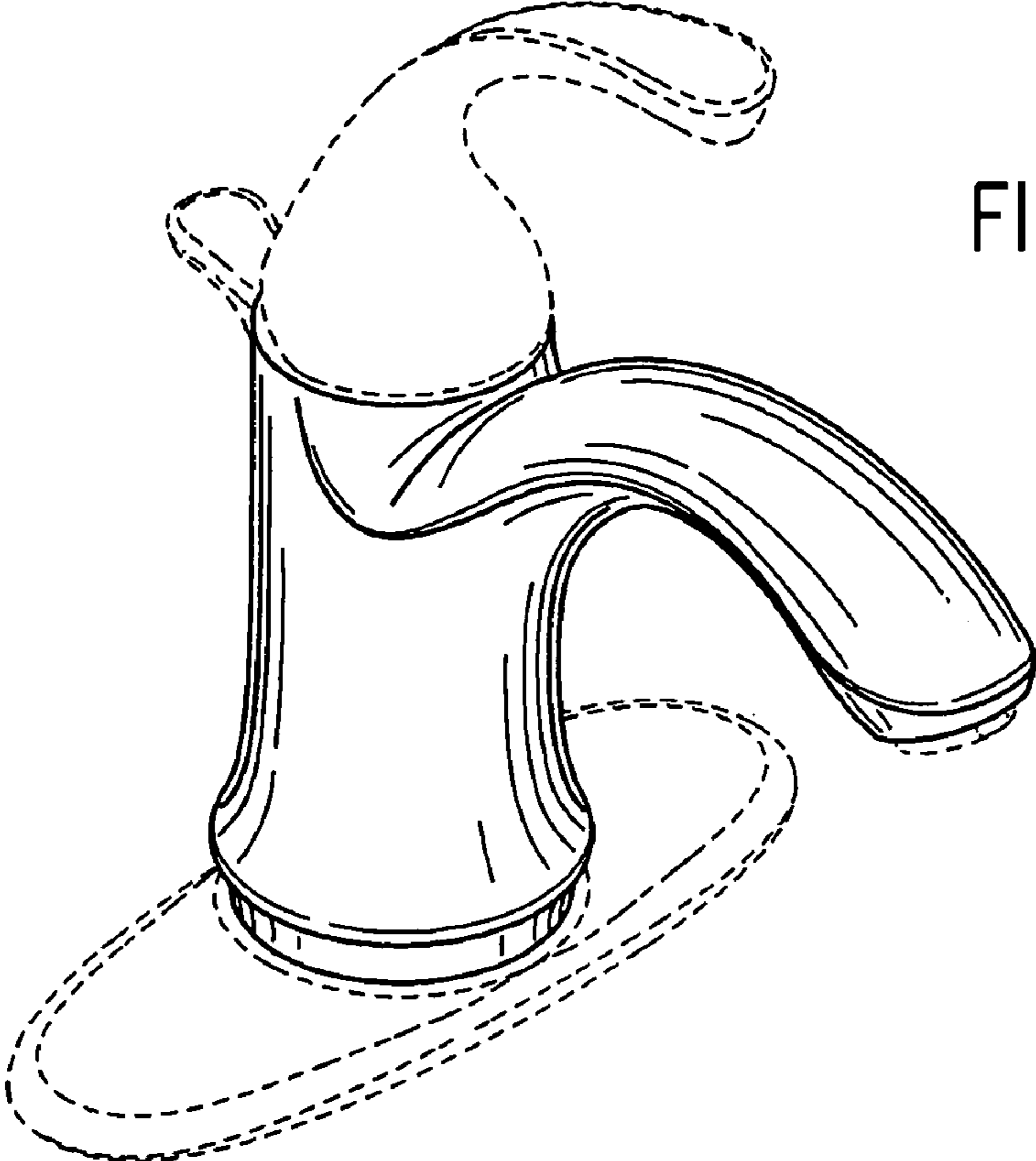


FIG. 1

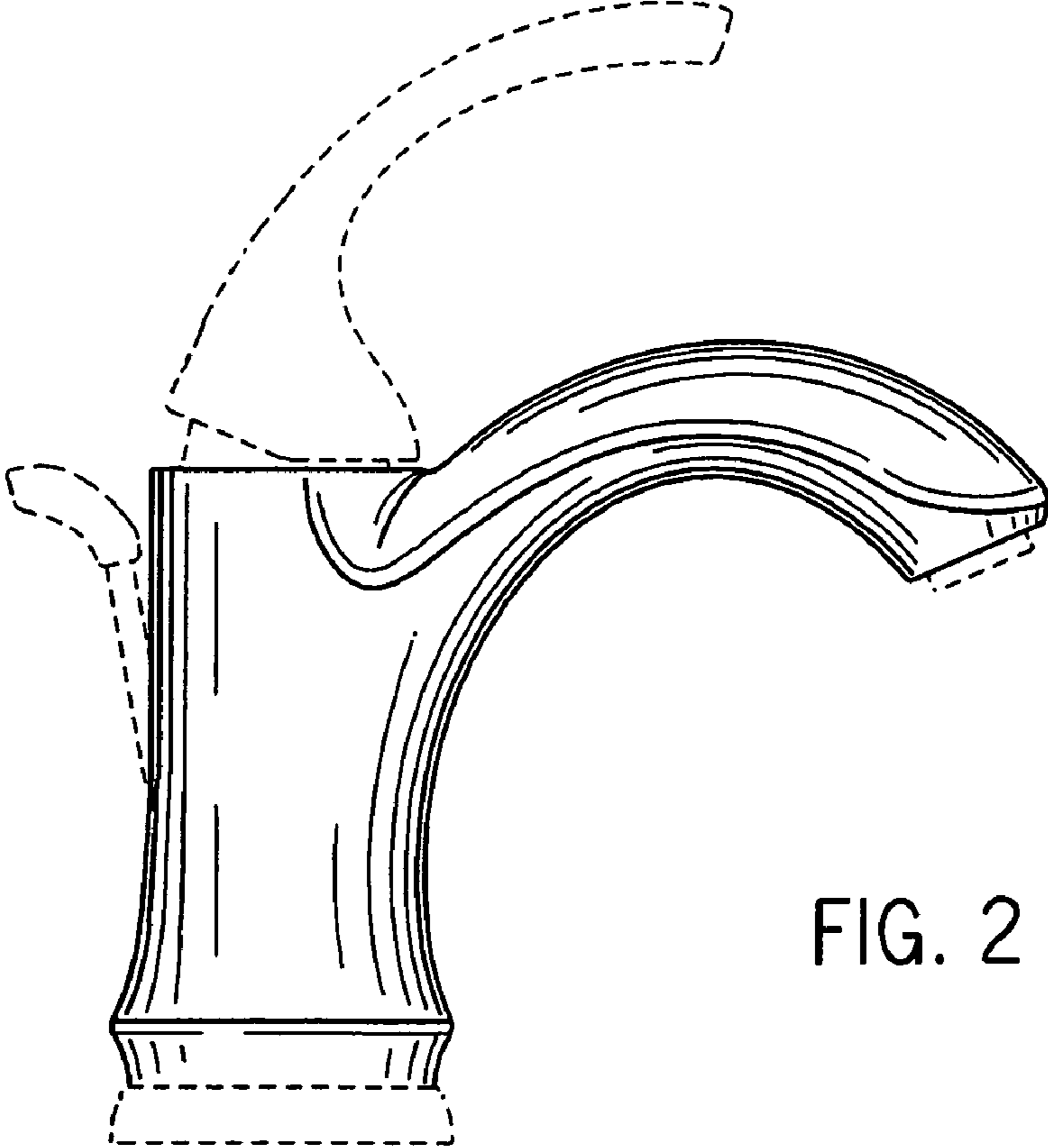


FIG. 2

FIG. 3

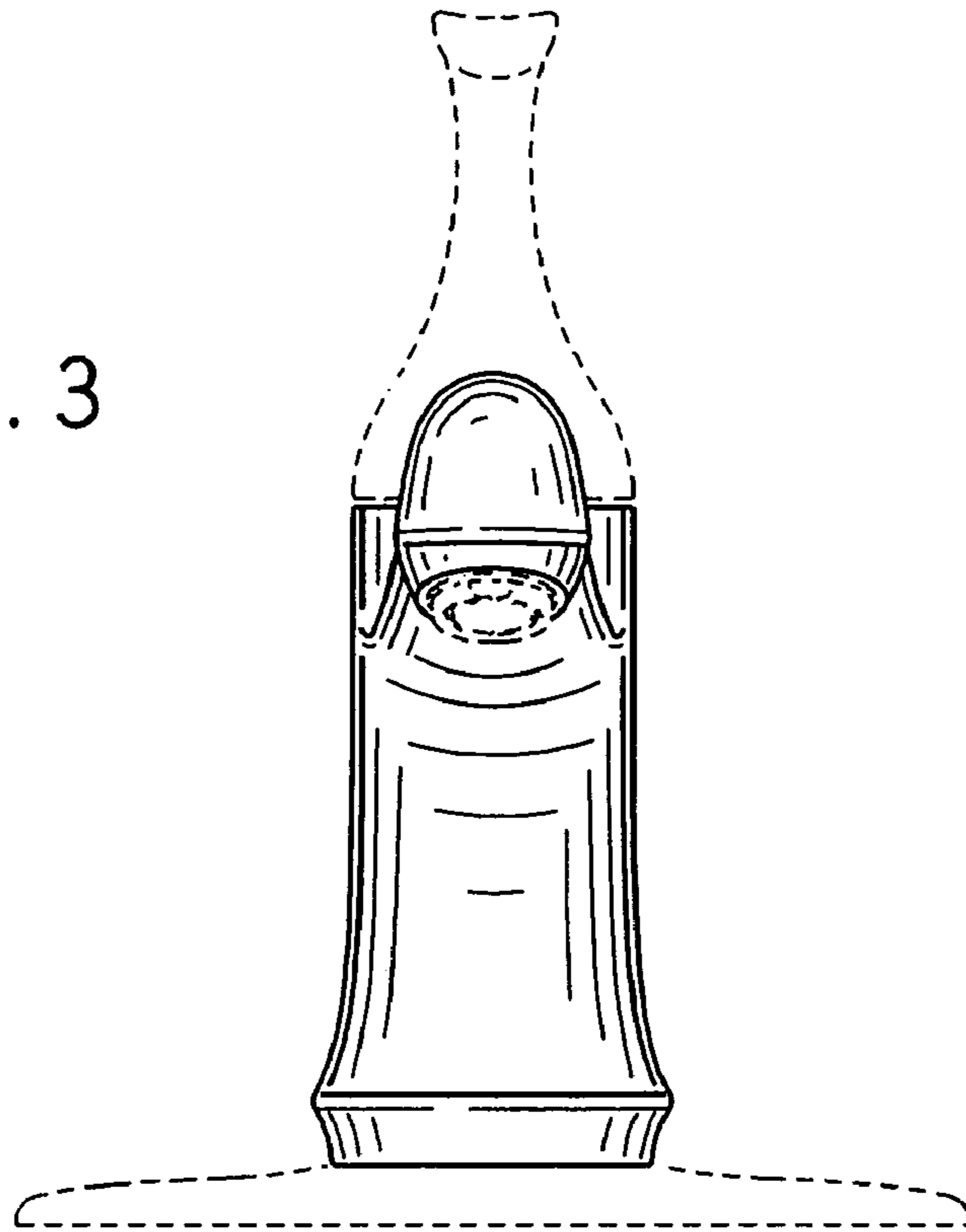


FIG. 4

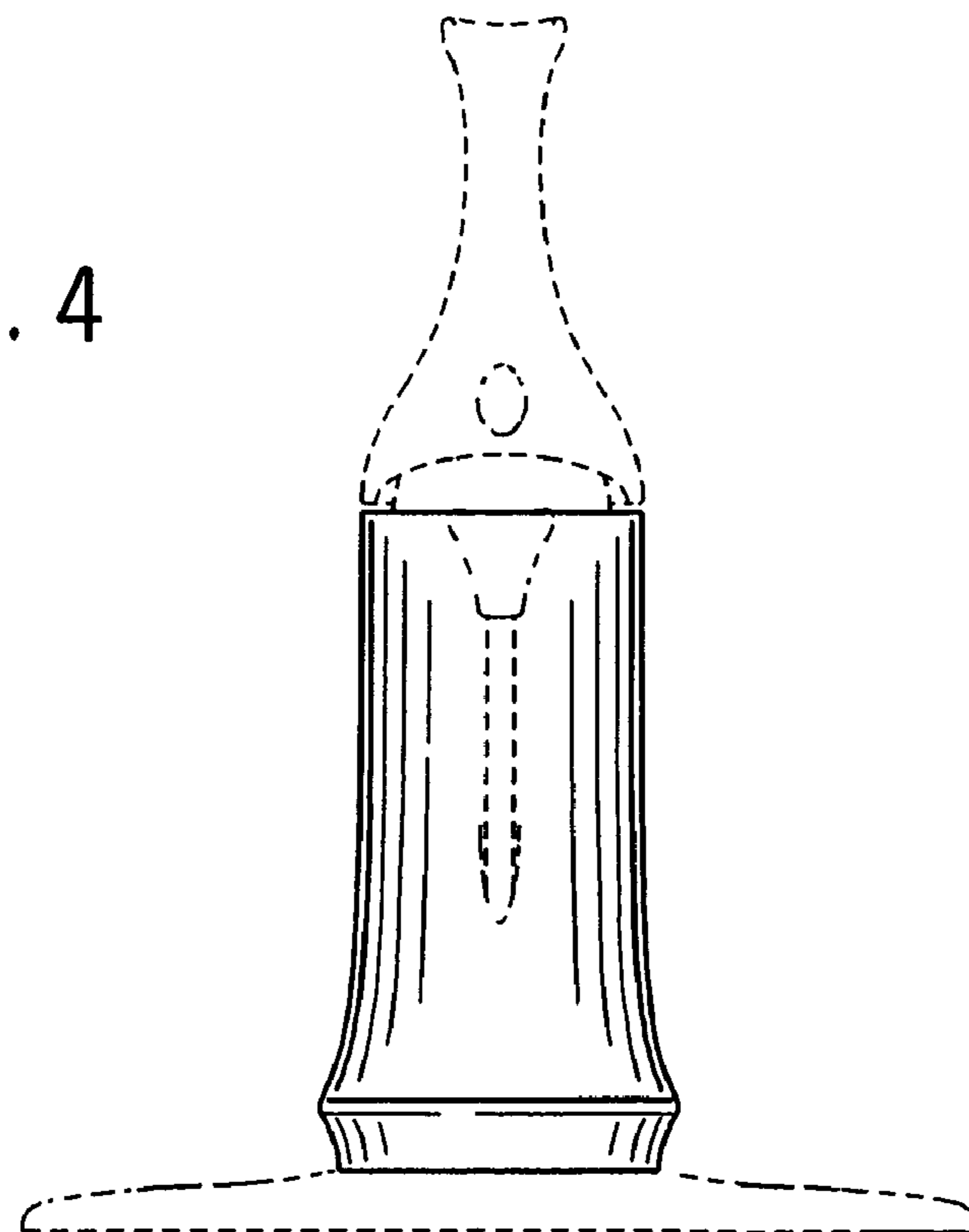


FIG. 5

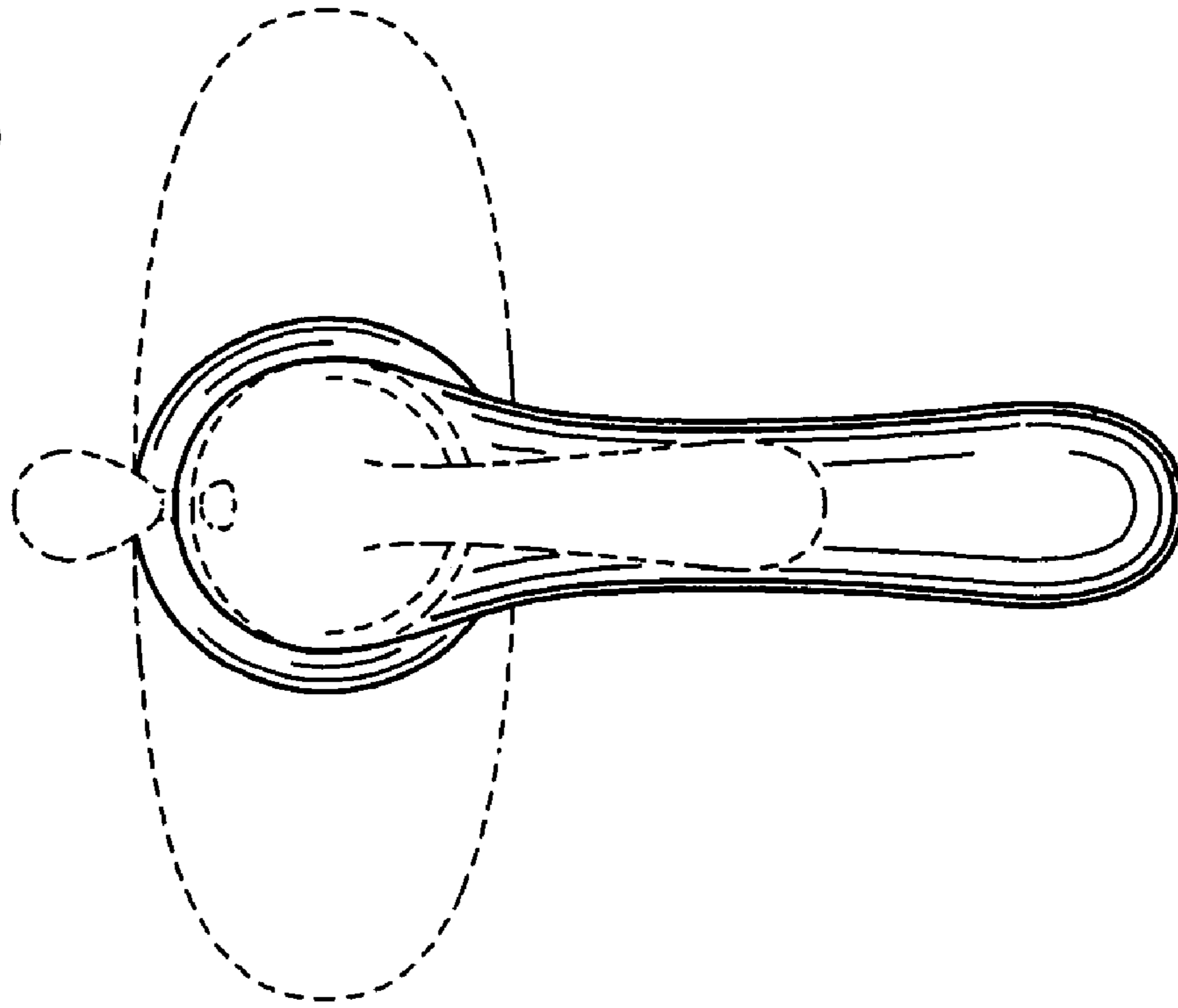
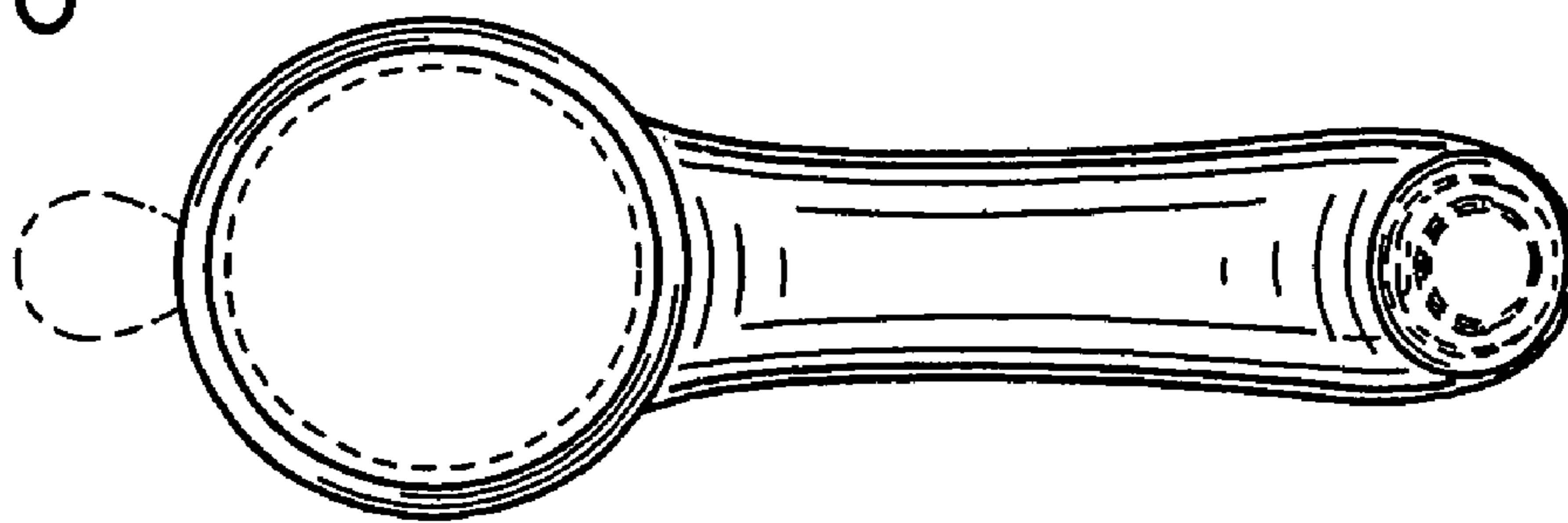


FIG. 6



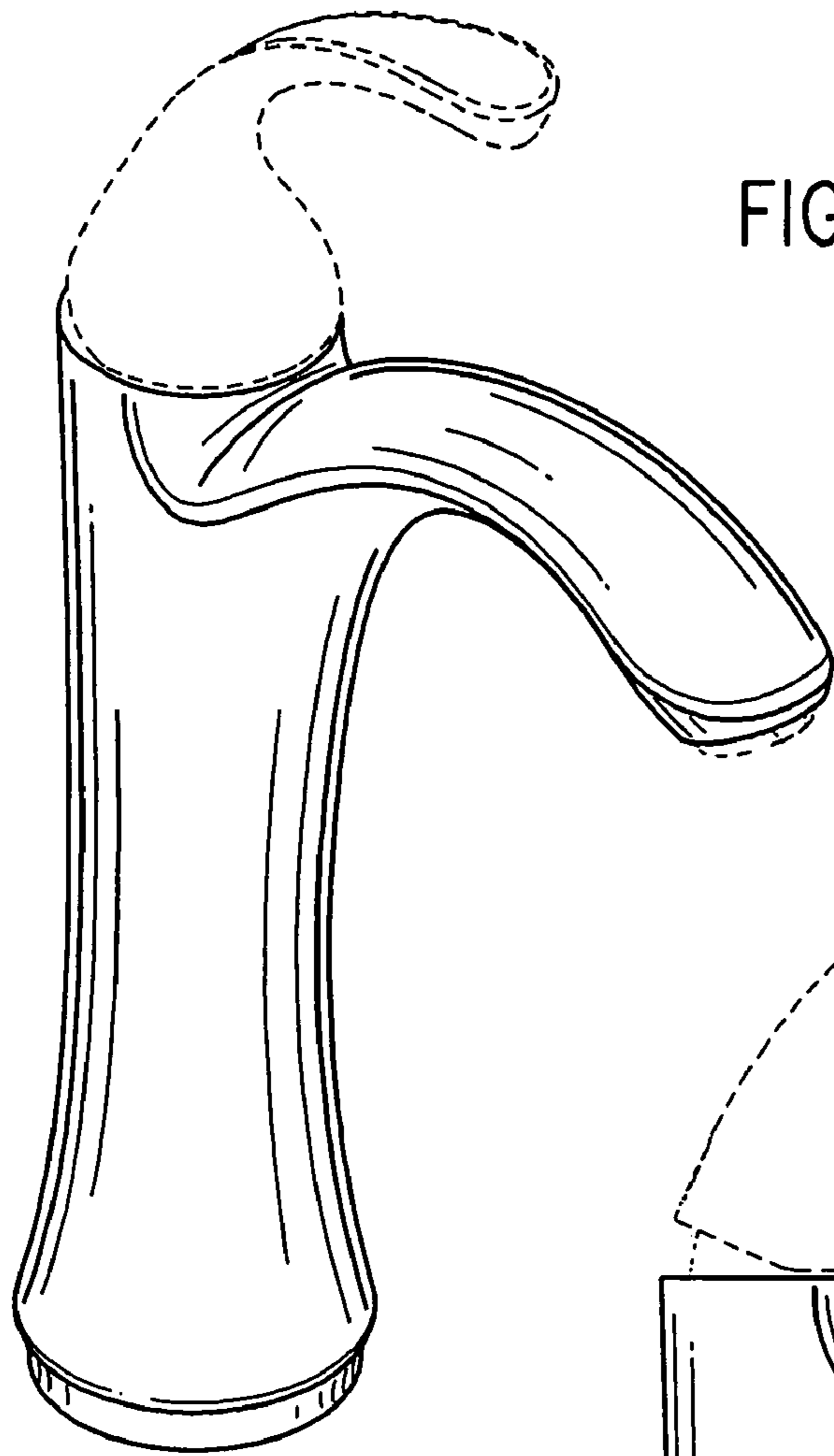


FIG. 7

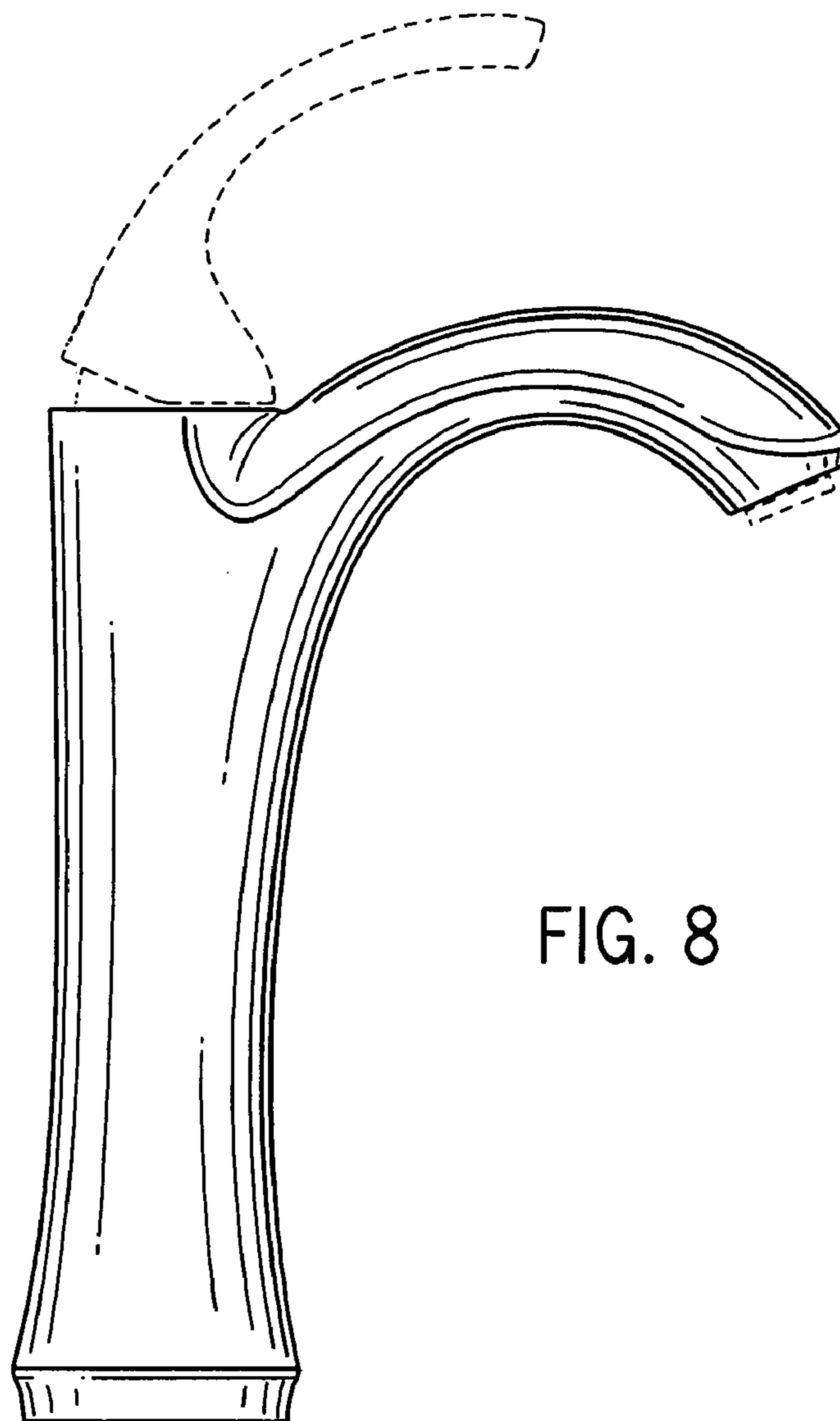


FIG. 8

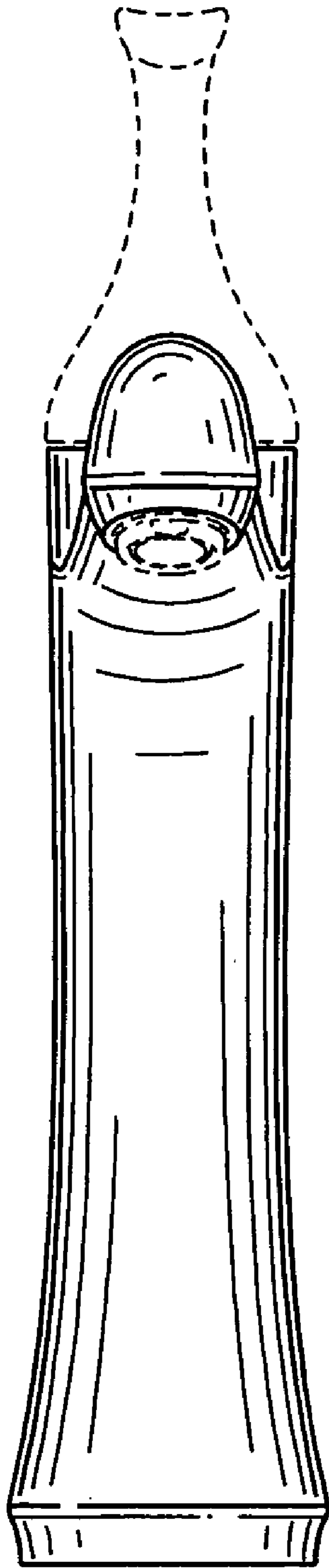


FIG. 9

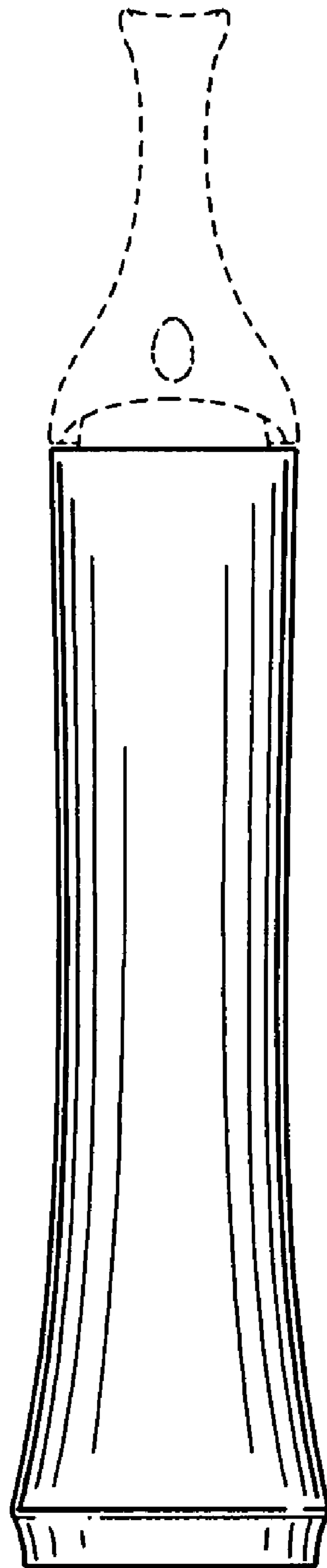


FIG. 10

FIG. 11

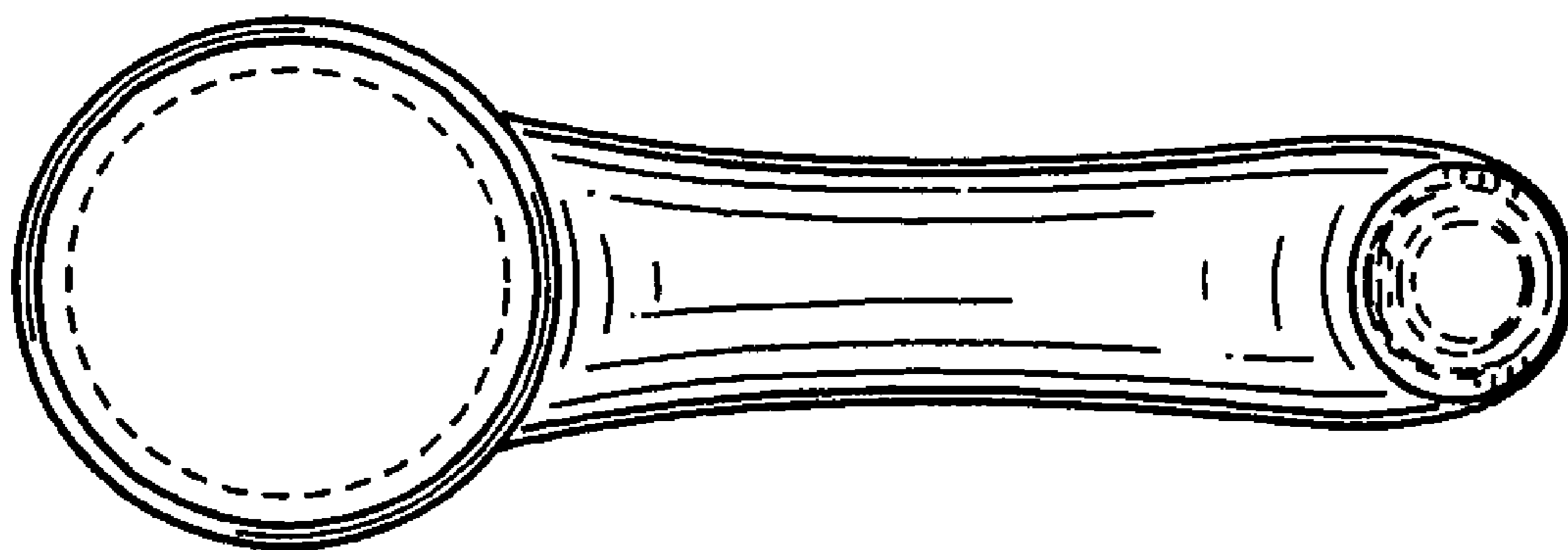
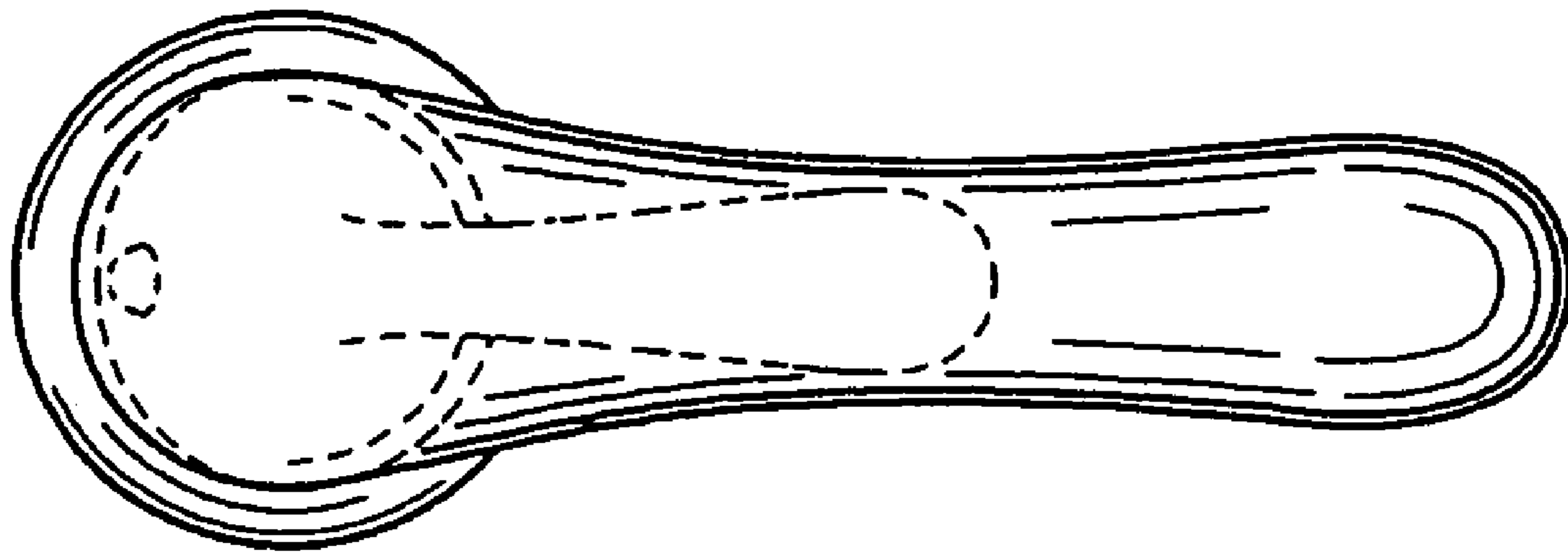


FIG. 12