

US00D566815S

(12) **United States Design Patent**  
**Wang**

(10) **Patent No.:** **US D566,815 S**

(45) **Date of Patent:** **\*\* Apr. 15, 2008**

(54) **SPOUT**

(75) Inventor: **Ruler Wang**, Taichung (TW)

(73) Assignee: **Globe Union Industrial Corp.**,  
Taichung (TW)

(\*\*) Term: **14 Years**

(21) Appl. No.: **29/246,537**

(22) Filed: **Apr. 21, 2006**

(51) **LOC (8) Cl.** ..... **23-01**

(52) **U.S. Cl.** ..... **D23/242**

(58) **Field of Classification Search** ..... D23/238-243,  
D23/250-257; 4/675-678; 137/801  
See application file for complete search history.

(56) **References Cited**

U.S. PATENT DOCUMENTS

- D533,639 S \* 12/2006 Hoernig ..... D23/242
- D536,065 S \* 1/2007 Wang ..... D23/238
- D540,916 S \* 4/2007 Toyohara ..... D23/241

\* cited by examiner

*Primary Examiner*—Robert A. Delehanty  
(74) *Attorney, Agent, or Firm*—Leong C. Lei

(57) **CLAIM**

The ornamental design for a spout, as shown and described.

**DESCRIPTION**

FIG. 1 is a perspective view of a spout showing my new design;

FIG. 2 is a front elevational view thereof;

FIG. 3 is a rear elevational view thereof;

FIG. 4 is a left side elevational view thereof;

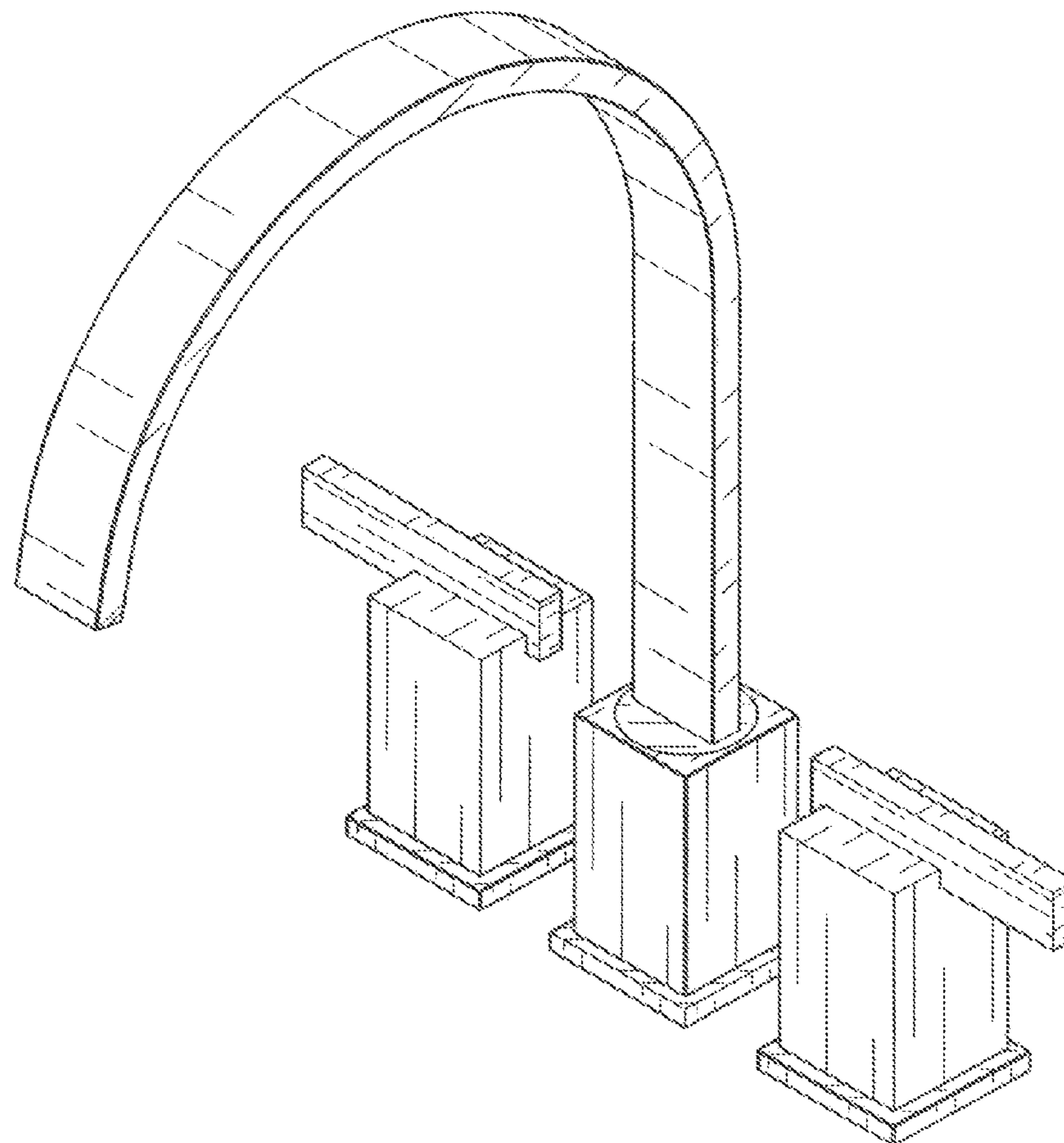
FIG. 5 is a right side elevational view thereof;

FIG. 6 is a top plan view thereof; and,

FIG. 7 is another perspective view thereof, with a shower sprayer engaged.

The dotted line showing of the shower sprayer is for illustrative purposes only and forms no part of the claimed design.

**1 Claim, 7 Drawing Sheets**



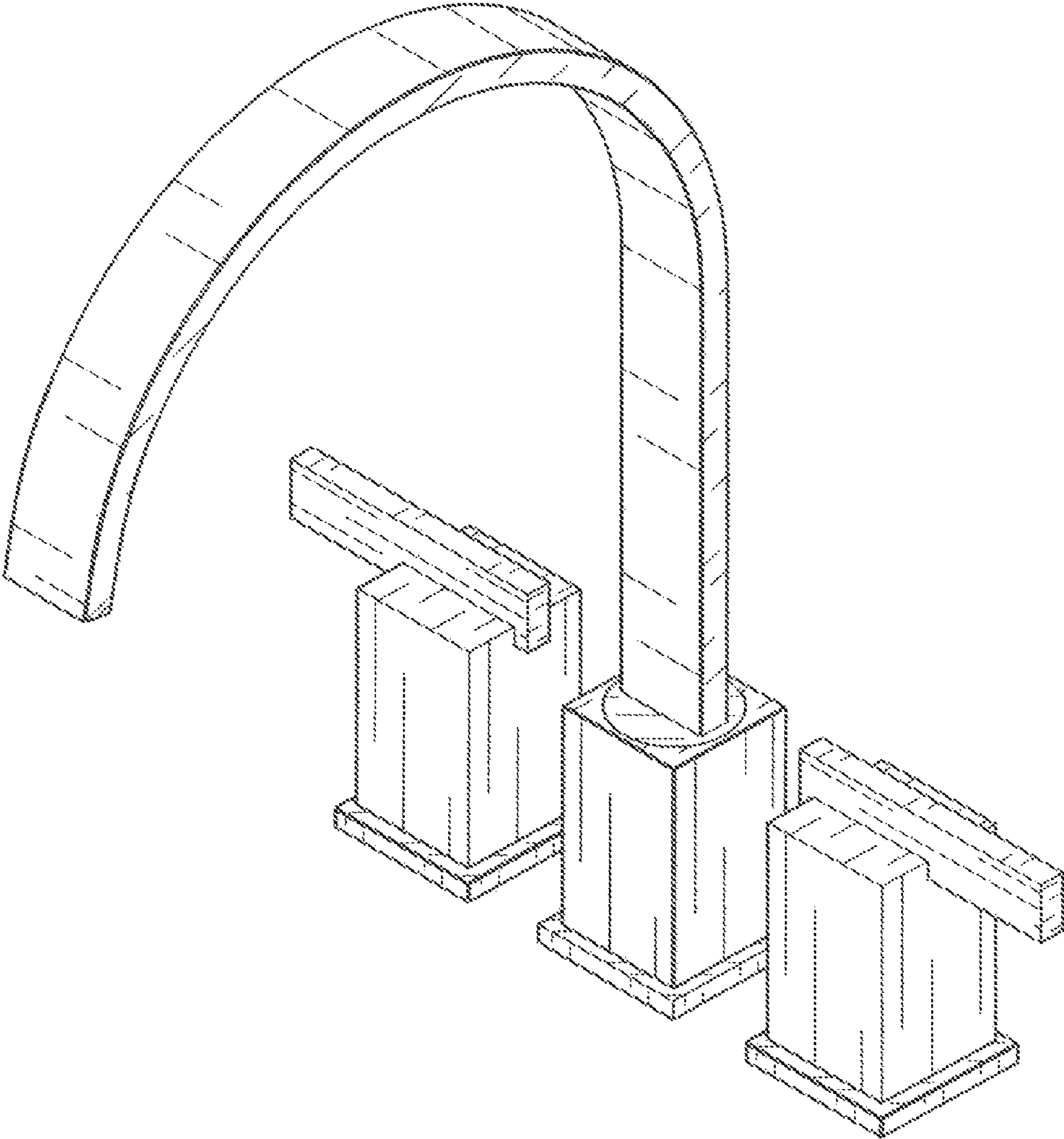


FIG. 1

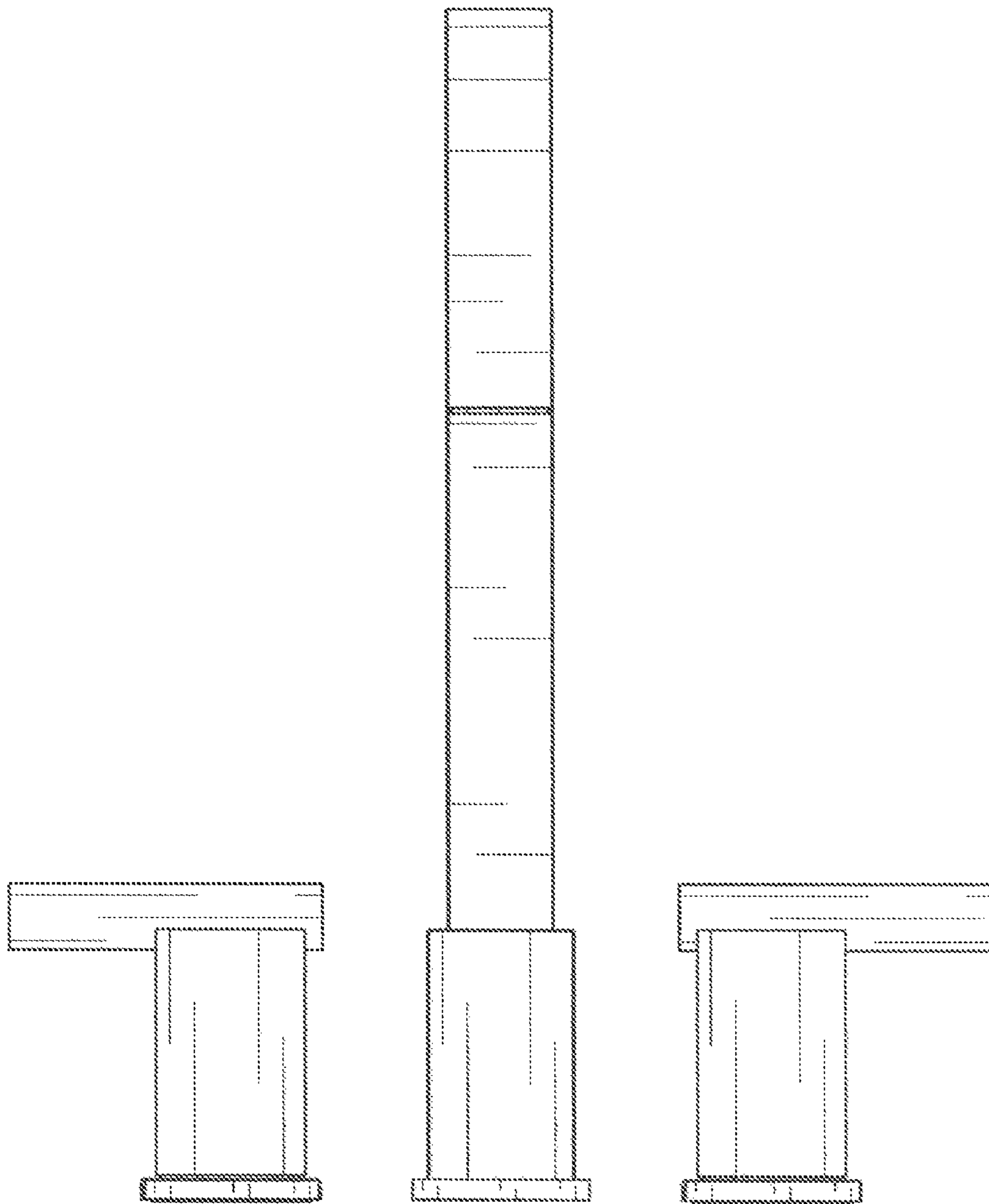


FIG. 2

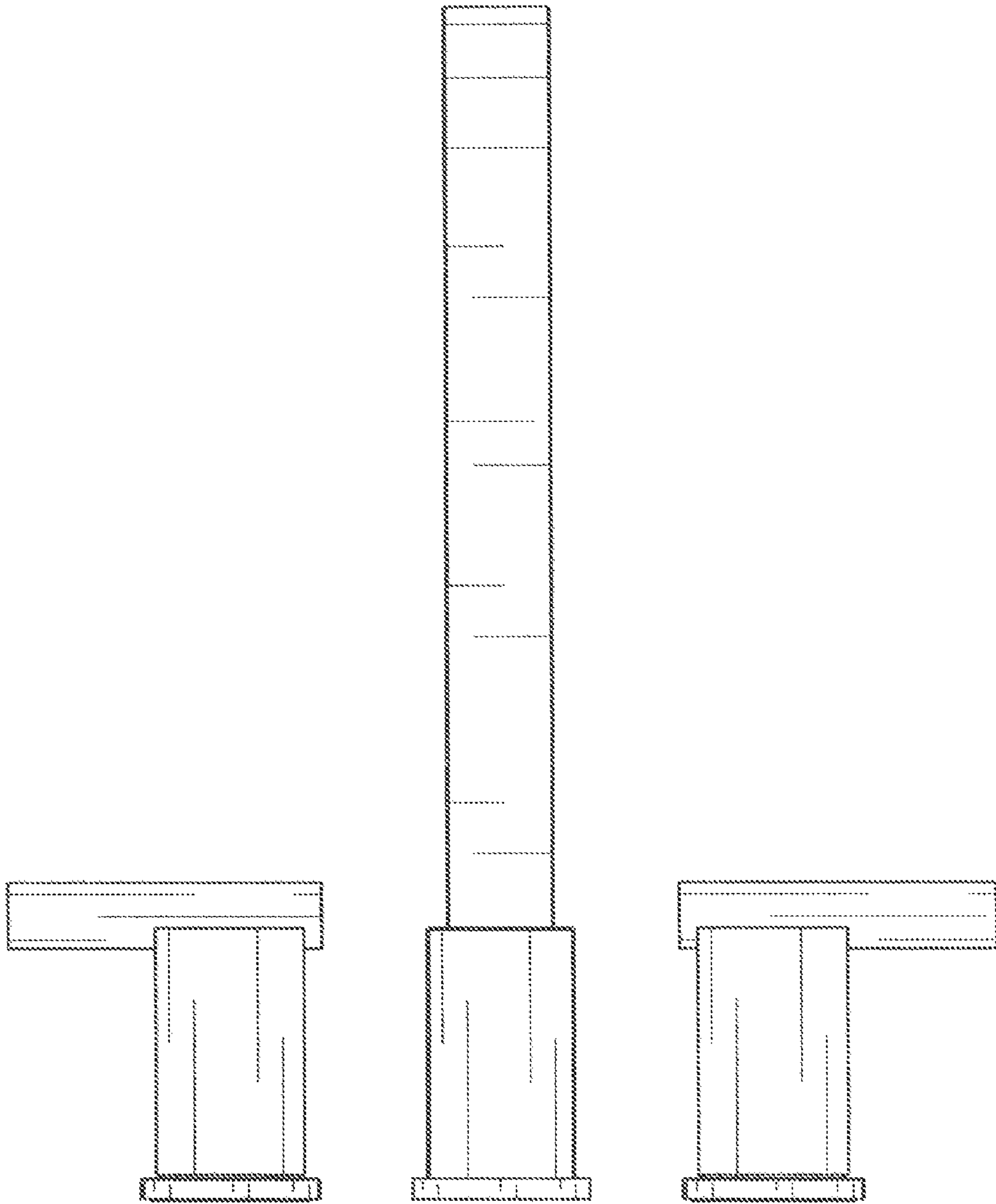


FIG. 3

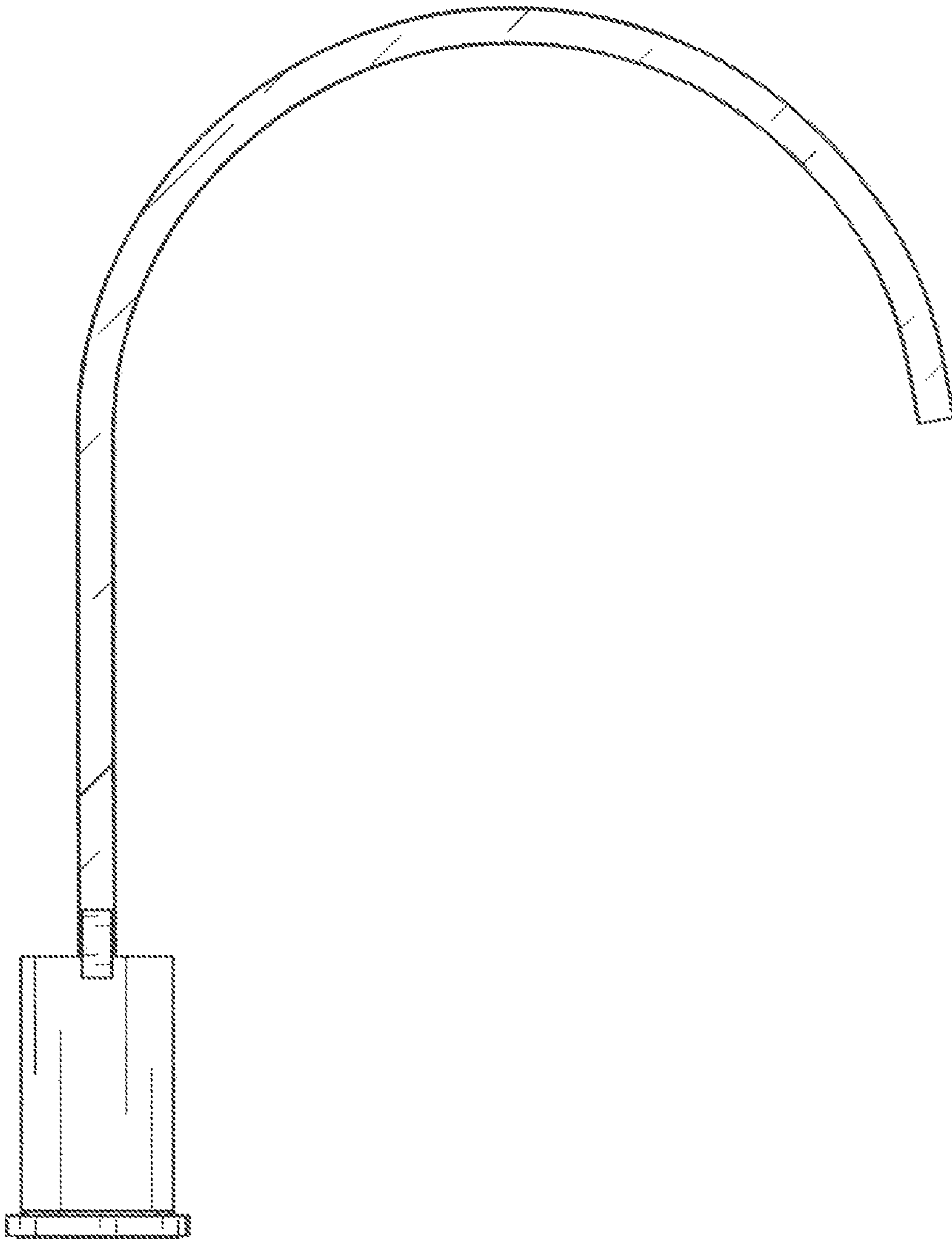


FIG. 4

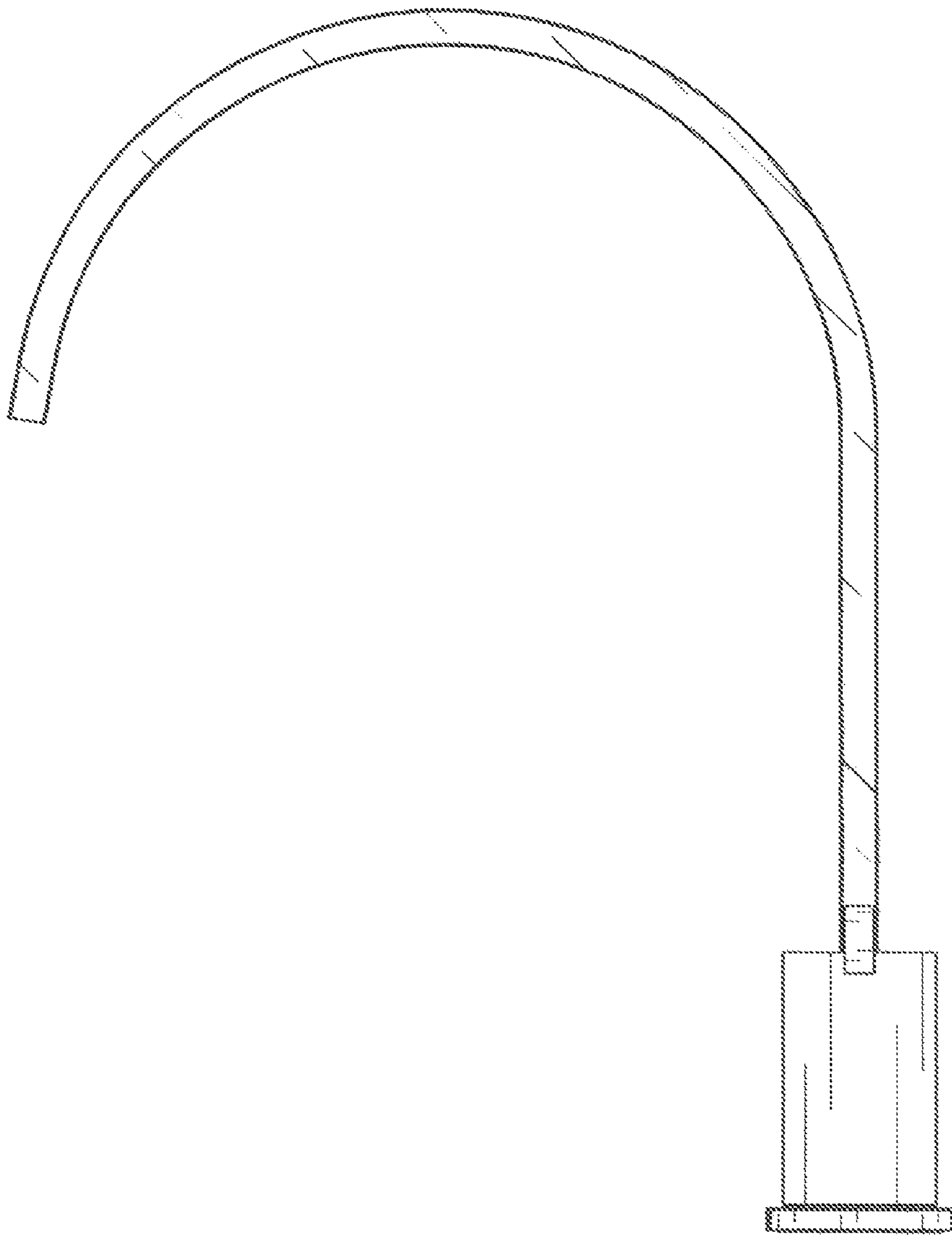


FIG. 5

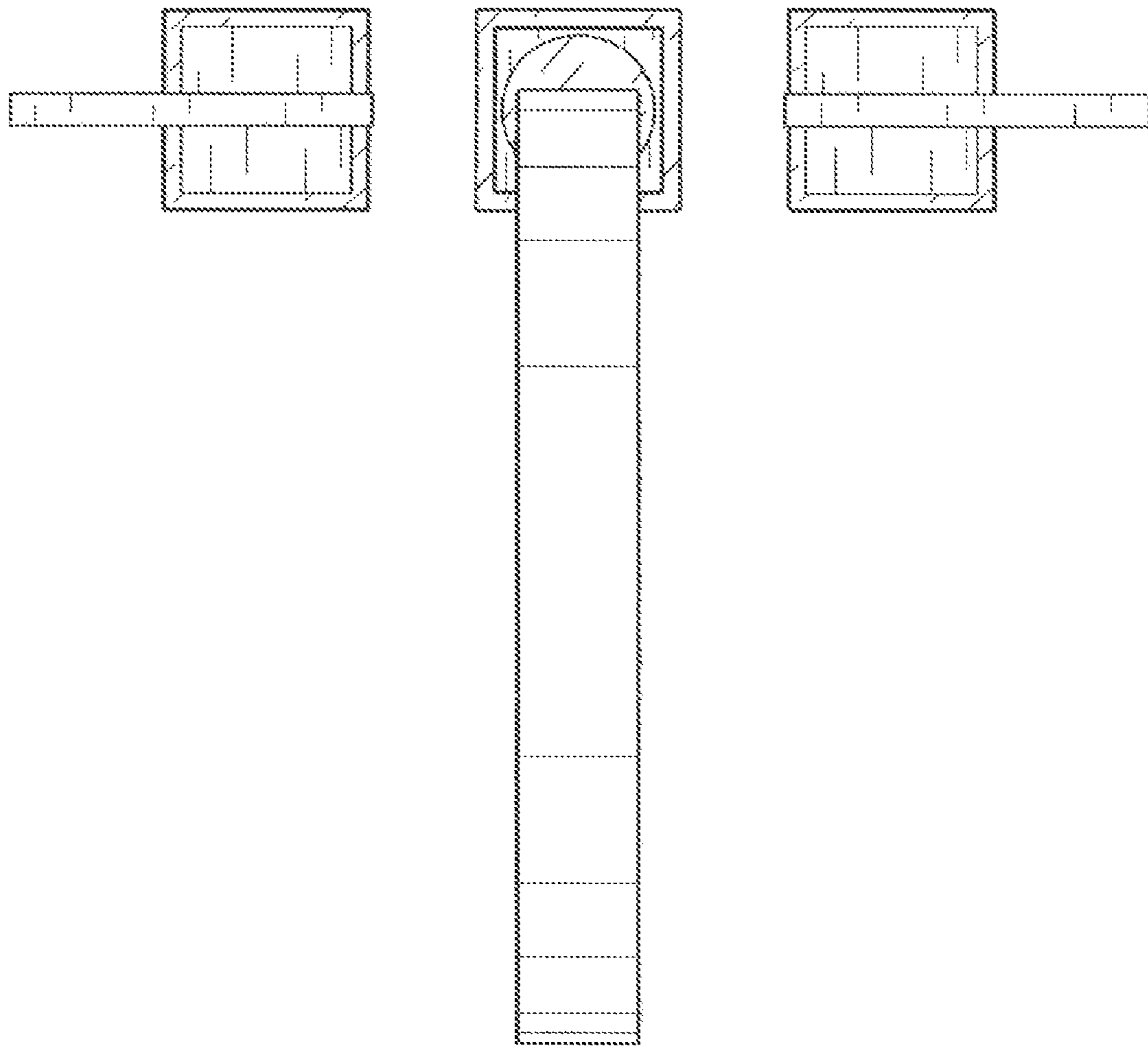


FIG. 6

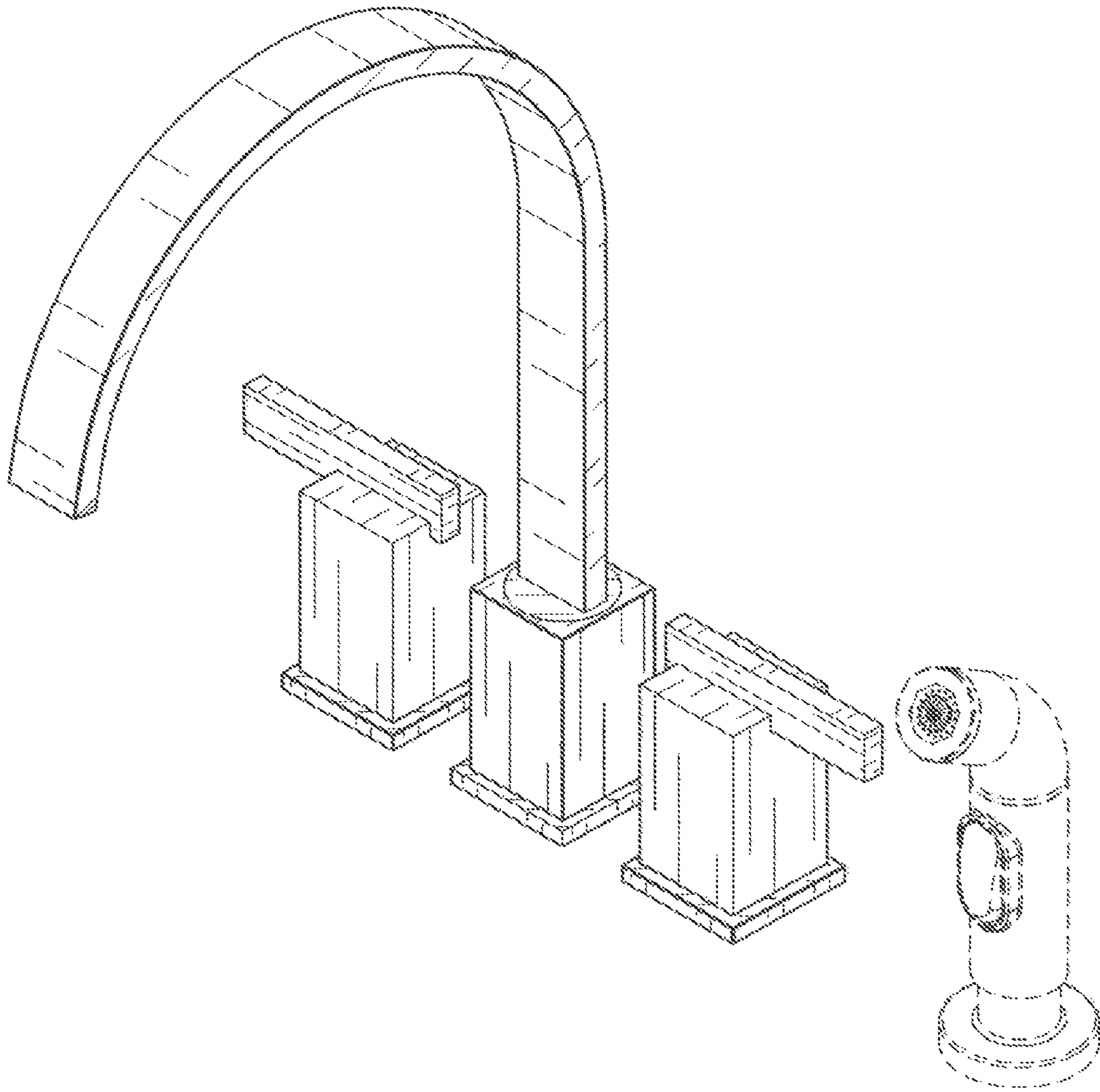


FIG. 7