



US00D566814S

(12) **United States Design Patent**  
**Yang**

(10) **Patent No.:** **US D566,814 S**  
(45) **Date of Patent:** **\*\* Apr. 15, 2008**

(54) **WATER FAUCET**

D522,624 S \* 6/2006 Koury et al. .... D23/252

(75) Inventor: **Yung-Fang Yang**, No. 97, Lane 22,  
Chang Ting Rd., Lu Kang, Chang Hua  
(TW)

\* cited by examiner

*Primary Examiner*—Robert A. Delehanty  
(74) *Attorney, Agent, or Firm*—Browdy and Neimark

(73) Assignee: **Yung-Fang Yang**, Chang Hua (TW)

(57) **CLAIM**

(\*\*) Term: **14 Years**

The ornamental design for a water faucet, as shown.

(21) Appl. No.: **29/265,988**

**DESCRIPTION**

(22) Filed: **Sep. 13, 2006**

FIG. 1 shows a perspective view of the present design.

(51) **LOC (8) Cl.** ..... **23-01**

FIG. 2 shows a right side elevational view of the present design.

(52) **U.S. Cl.** ..... **D23/241**

FIG. 3 shows a top plan view of the present design.

(58) **Field of Classification Search** ..... D23/238–243,  
D23/250–257; 4/675–678; 137/801  
See application file for complete search history.

FIG. 4 shows a front elevational view of the present design.

FIG. 5 shows a bottom plan view of the present design.

(56) **References Cited**

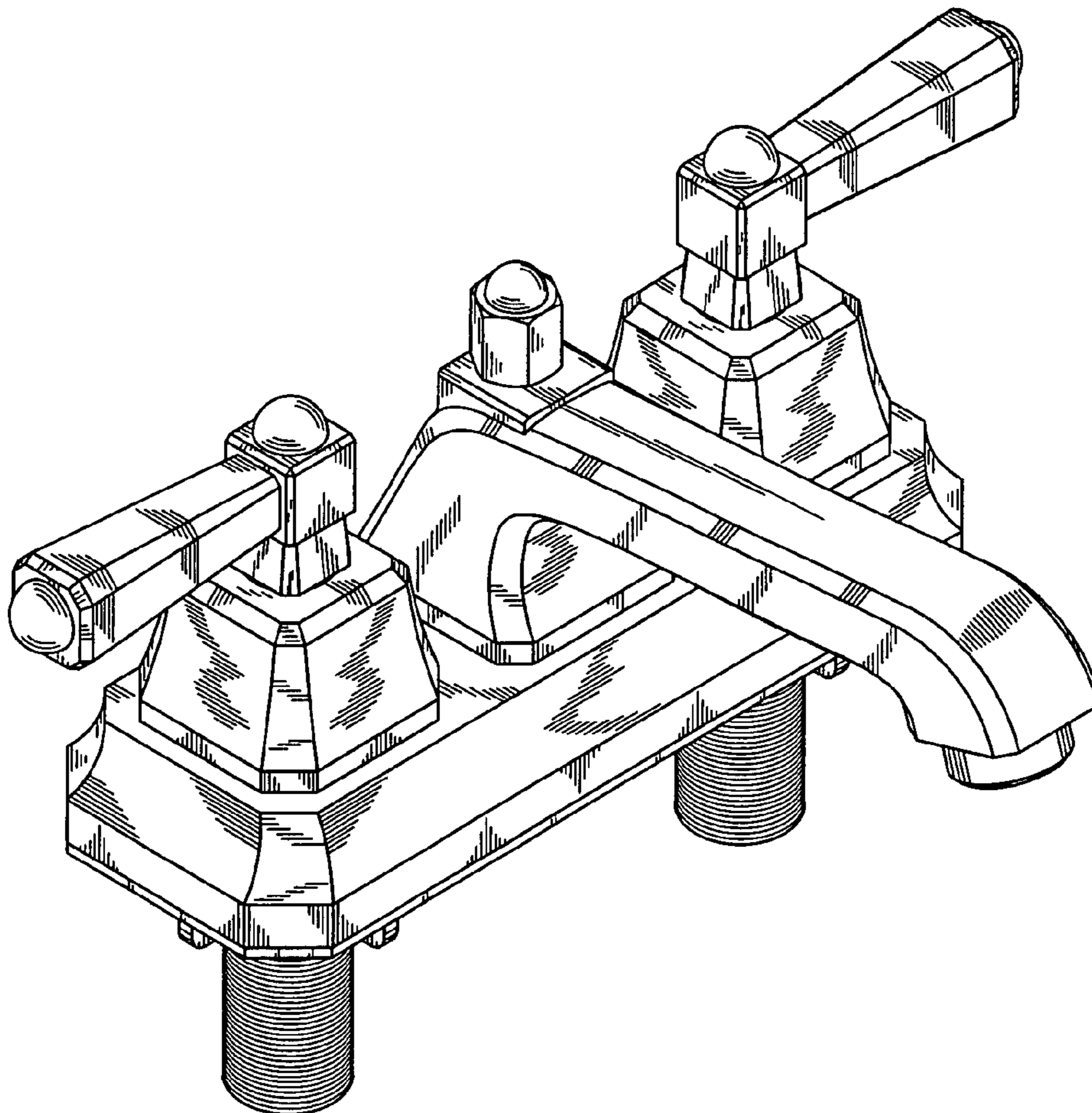
FIG. 6 shows a left side elevational view of the present design; and,

**U.S. PATENT DOCUMENTS**

FIG. 7 shows a rear elevational view of the present design.

D417,262 S *	11/1999	Caplow	.....	D23/255
D511,371 S *	11/2005	Chen	.....	D23/241
D520,116 S *	5/2006	Koury et al.	.....	D23/241

**1 Claim, 7 Drawing Sheets**



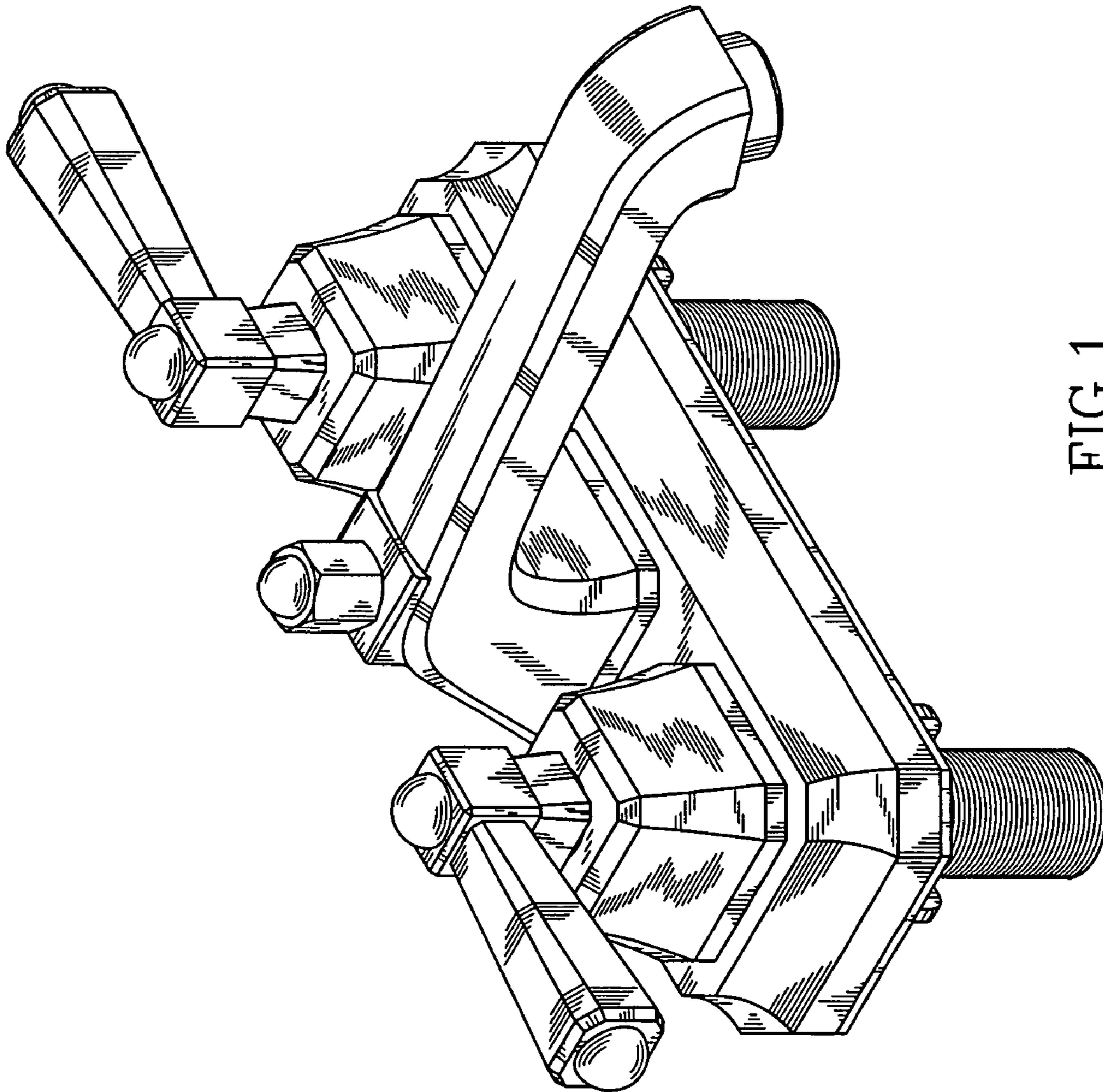


FIG. 1

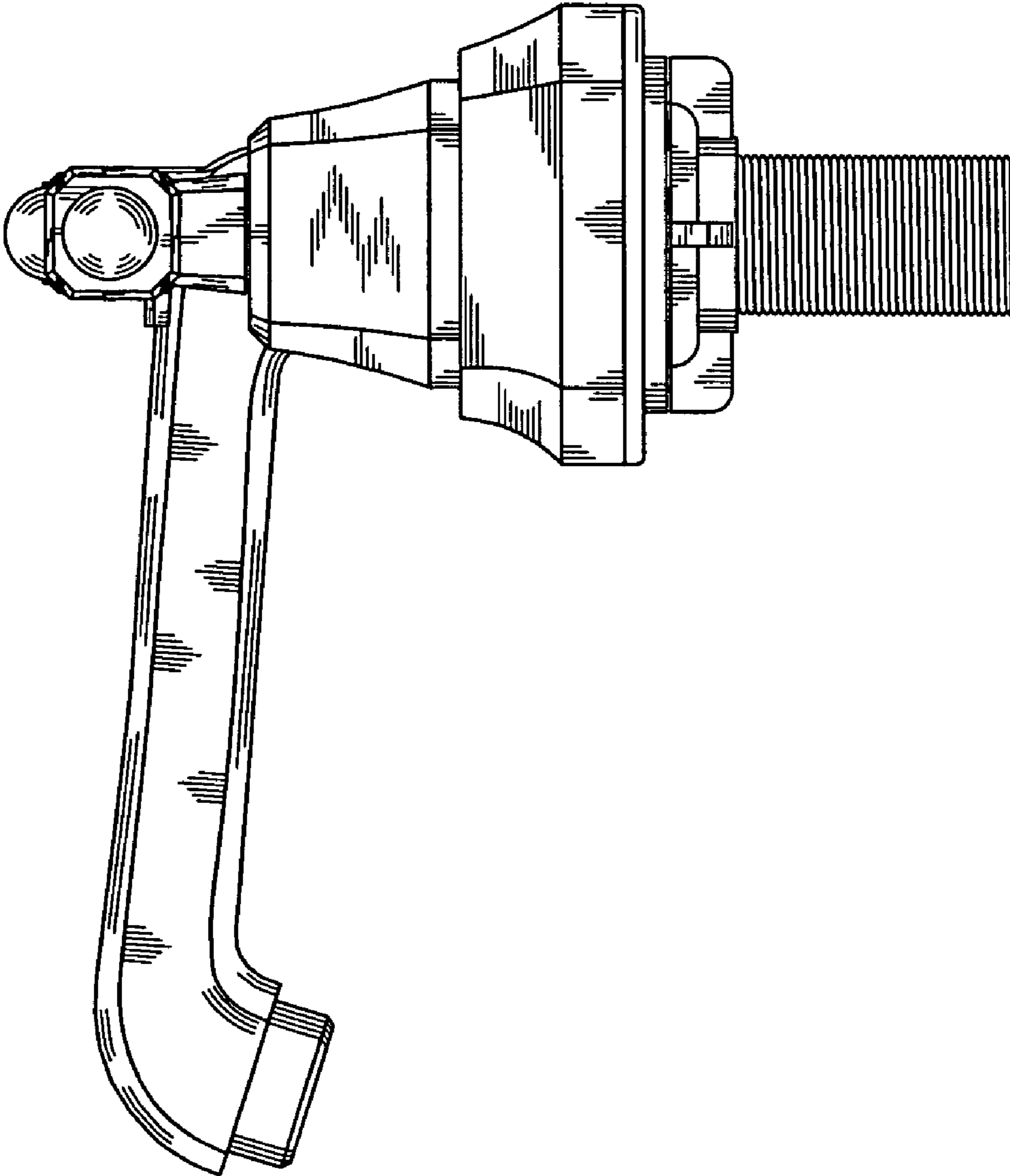


FIG. 2

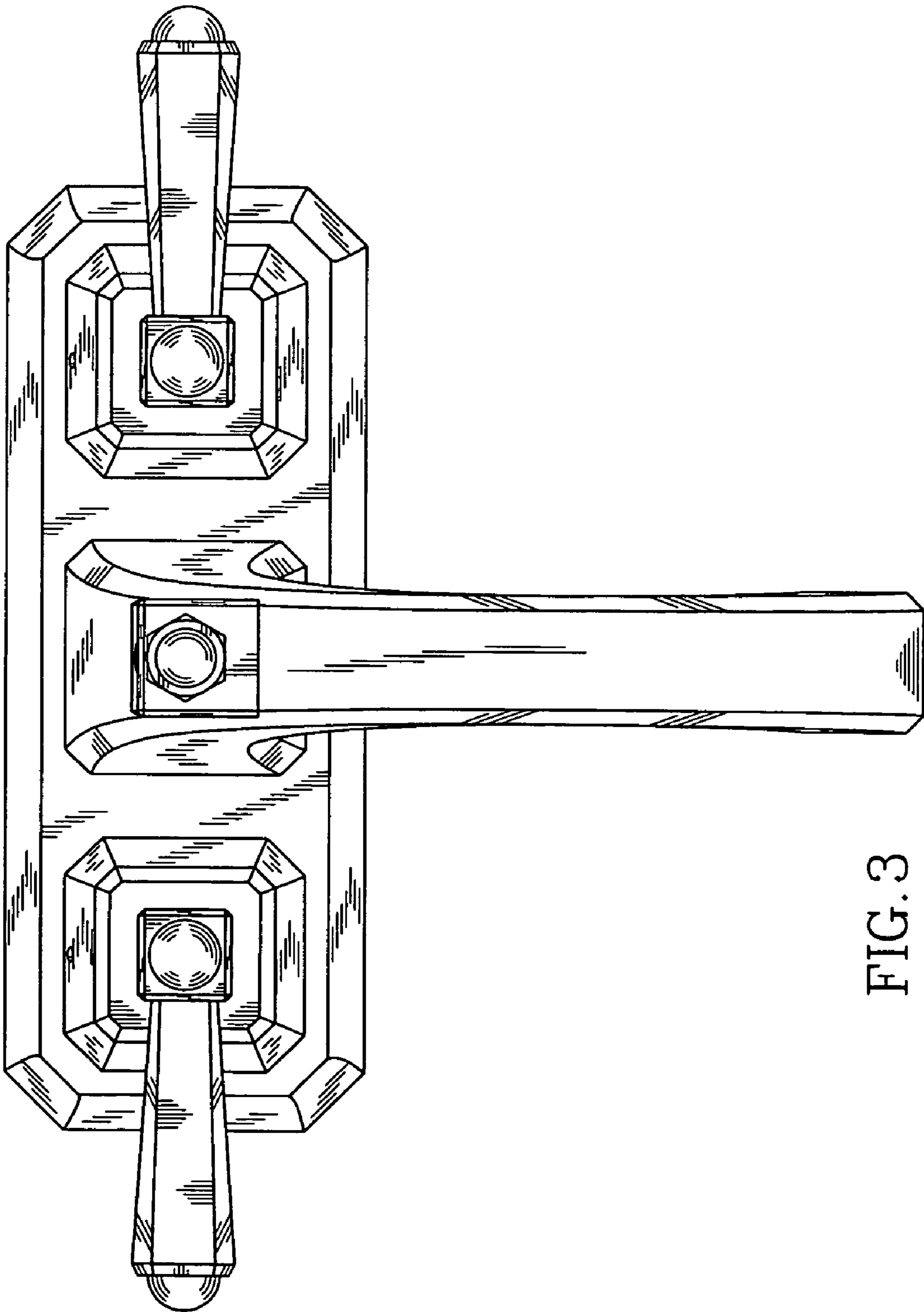


FIG. 3

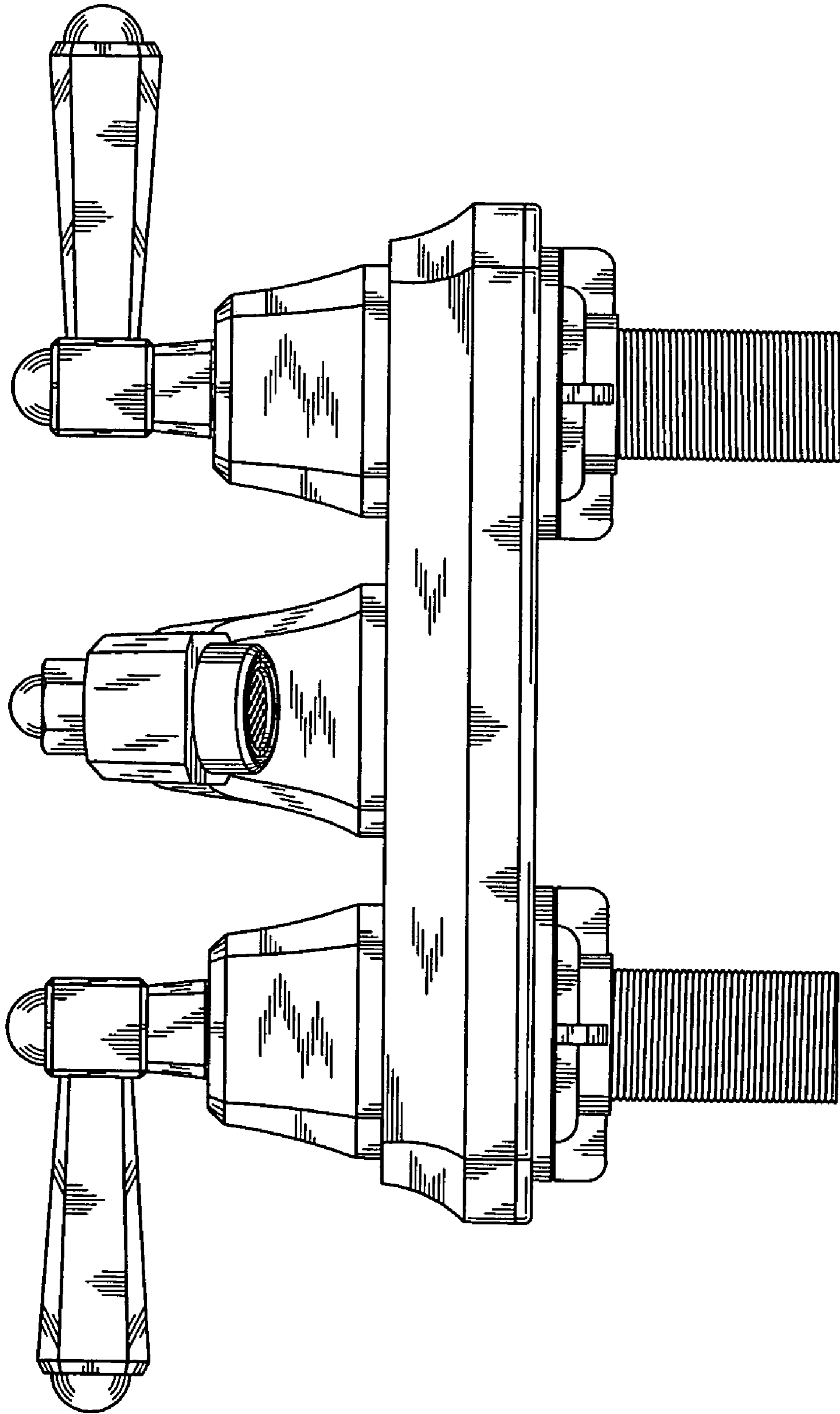


FIG. 4

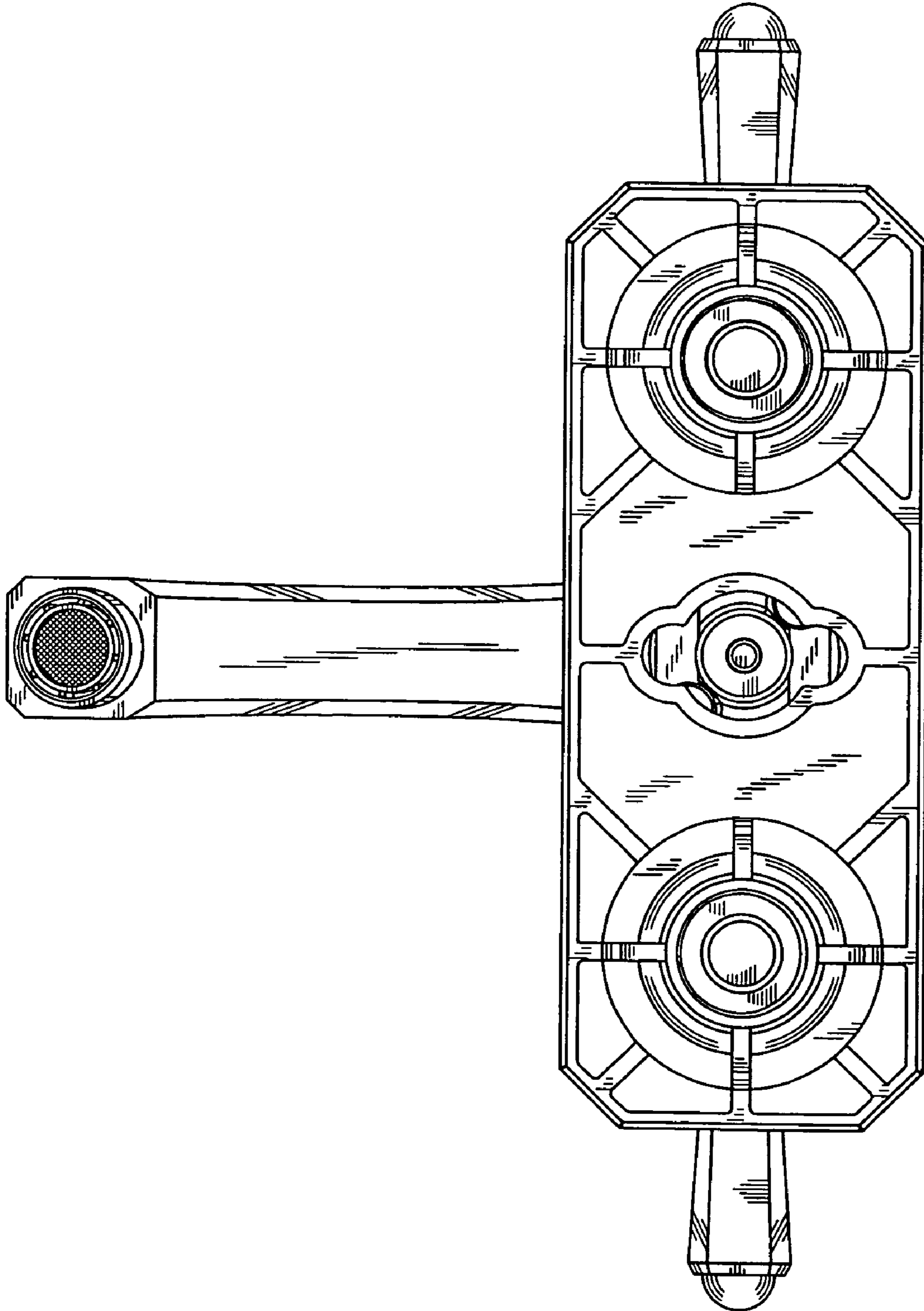


FIG. 5

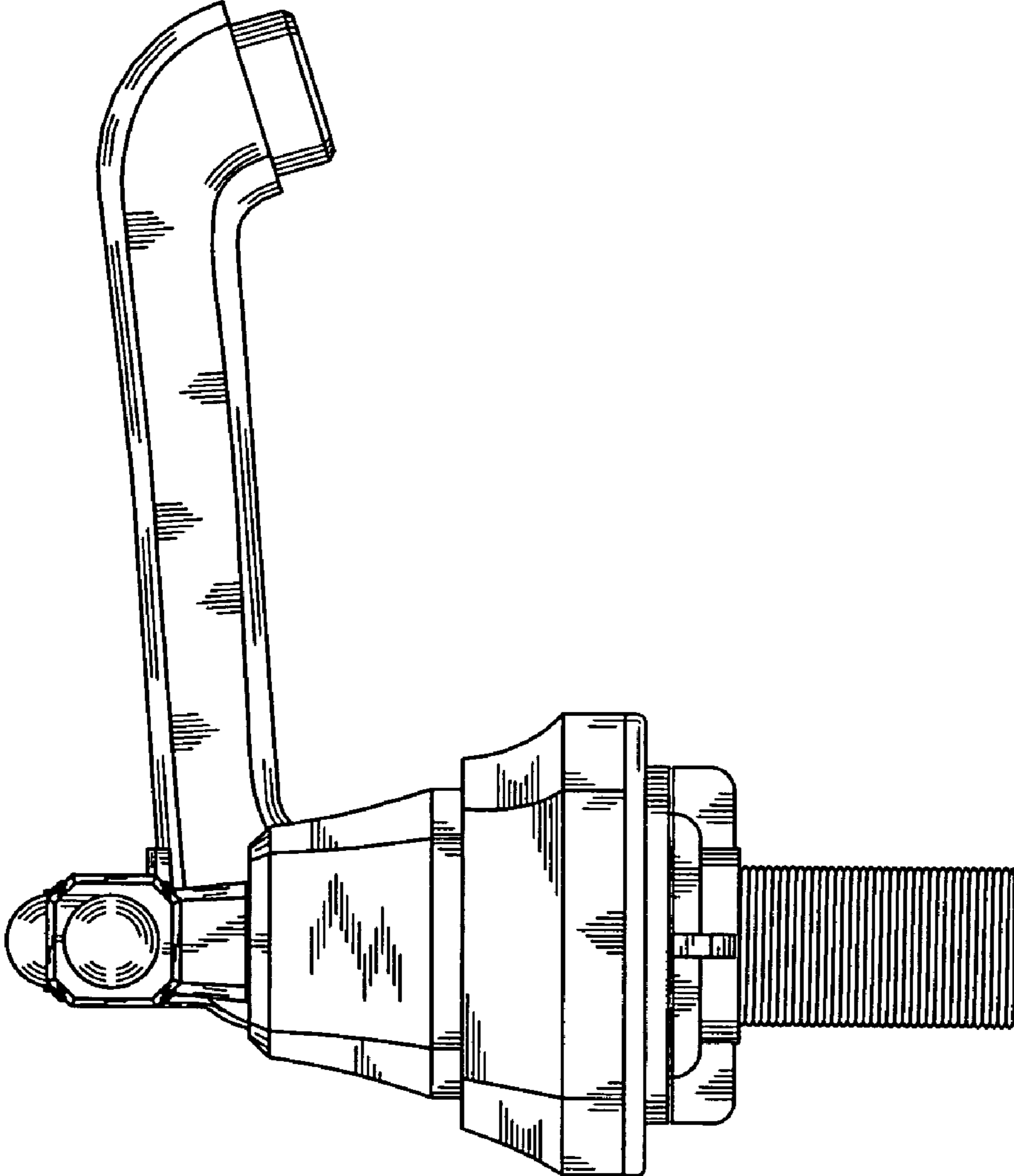


FIG. 6

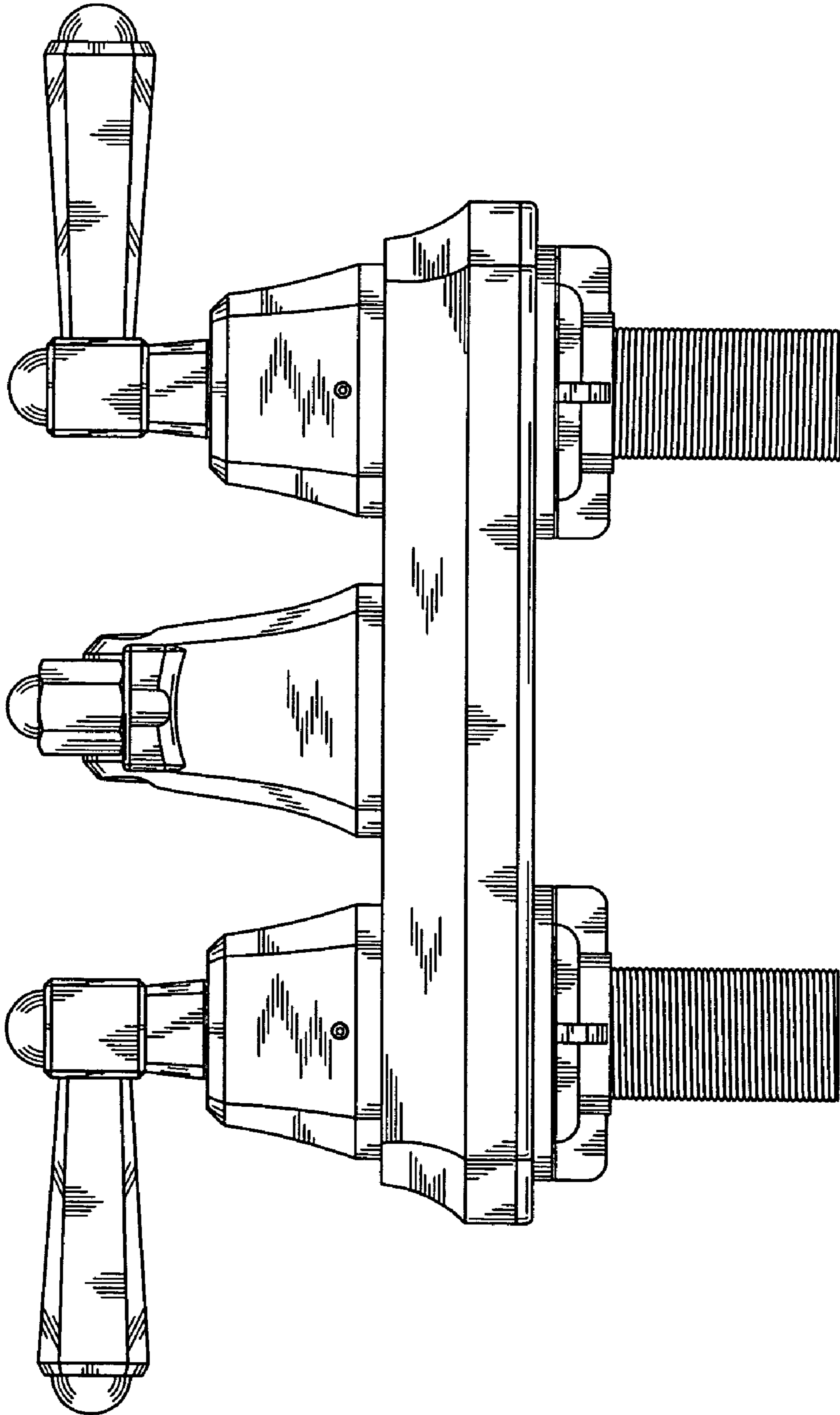


FIG. 7