



US00D566812S

(12) **United States Design Patent**  
**Kohler, Jr. et al.**

(10) **Patent No.:** **US D566,812 S**  
(45) **Date of Patent:** **\*\* Apr. 15, 2008**

(54) **FAUCET**

(75) Inventors: **Herbert V. Kohler, Jr.**, Kohler, WI (US); **Howard M. Montgomery**, Sheboygan, WI (US)

(73) Assignee: **Kohler Co.**, Kohler, WI (US)

(\*\*) Term: **14 Years**

(21) Appl. No.: **29/257,166**

(22) Filed: **Mar. 30, 2006**

(51) **LOC (8) Cl.** ..... **23-01**

(52) **U.S. Cl.** ..... **D23/238**

(58) **Field of Classification Search** ..... D23/238–243, D23/250–257; 4/675–678; 137/801  
See application file for complete search history.

(56) **References Cited**

**U.S. PATENT DOCUMENTS**

D318,906 S	8/1991	Spangler	
D437,394 S	2/2001	Mark et al.	
D470,224 S	2/2003	Hanna	
D488,542 S *	4/2004	Spiegelberg et al.	..... D23/255
D544,945 S *	6/2007	Wood et al.	..... D23/238

**OTHER PUBLICATIONS**

Automatic Faucets. Online catalog, "MAC Faucets". Model No. FA444-31.  
American Standard. Online catalog, "American Standard Selectronic Electronic Proximity Lavatory Faucet". Model No. 6055-153-002.  
Kohler Co., "Vinnata Kitchen Sink Faucet". Kohler Co. online catalog.

Kohler Co., "Clairette Kitchen Sink Faucet". Kohler Co. online catalog.

\* cited by examiner

*Primary Examiner*—Robert A. Delehanty

(74) *Attorney, Agent, or Firm*—Quarles & Brady LLP

(57) **CLAIM**

The ornamental design for a faucet, as shown and described.

**DESCRIPTION**

In a preferred embodiment, the nature of this product is as a plumbing fixture in the form of a faucet for washing various items and/or body parts.

FIG. 1 is a left, top, front perspective view of a faucet embodying our new design;

FIG. 2 is a front elevational view thereof;

FIG. 3 is a top plan view thereof;

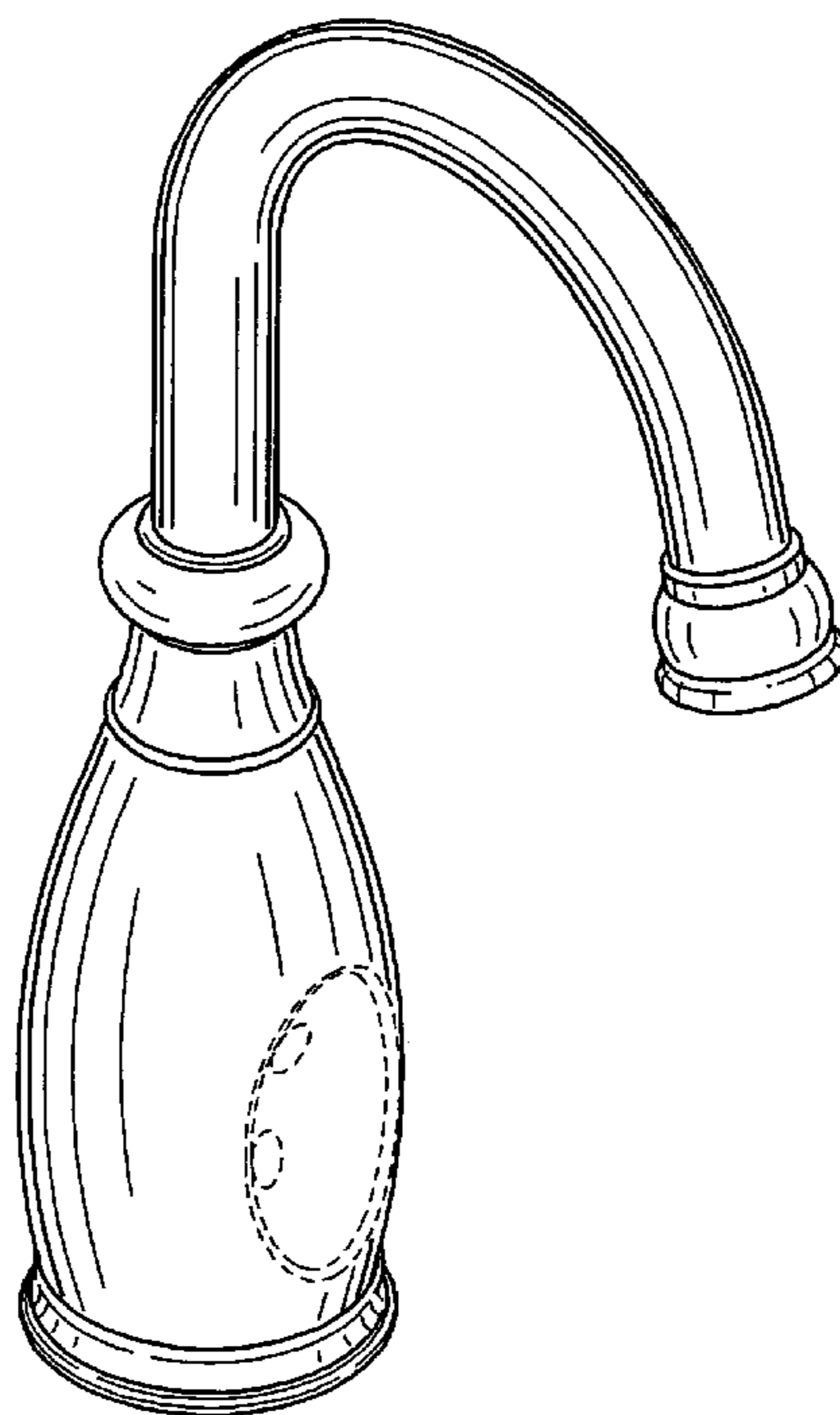
FIG. 4 is a left side elevational view thereof; the right side elevational view thereof being a mirror image of the left side shown;

FIG. 5 is a rear elevational view thereof; and,

FIG. 6 is a bottom plan view thereof.

The broken line representation of a window opening in FIGS. 1, 2 and 4, sensors in FIGS. 1 and 2, a spout opening in FIGS. 2 and 6, and a bottom opening in FIG. 6 is for the purpose of illustration only, and form no part of the claimed design.

**1 Claim, 3 Drawing Sheets**



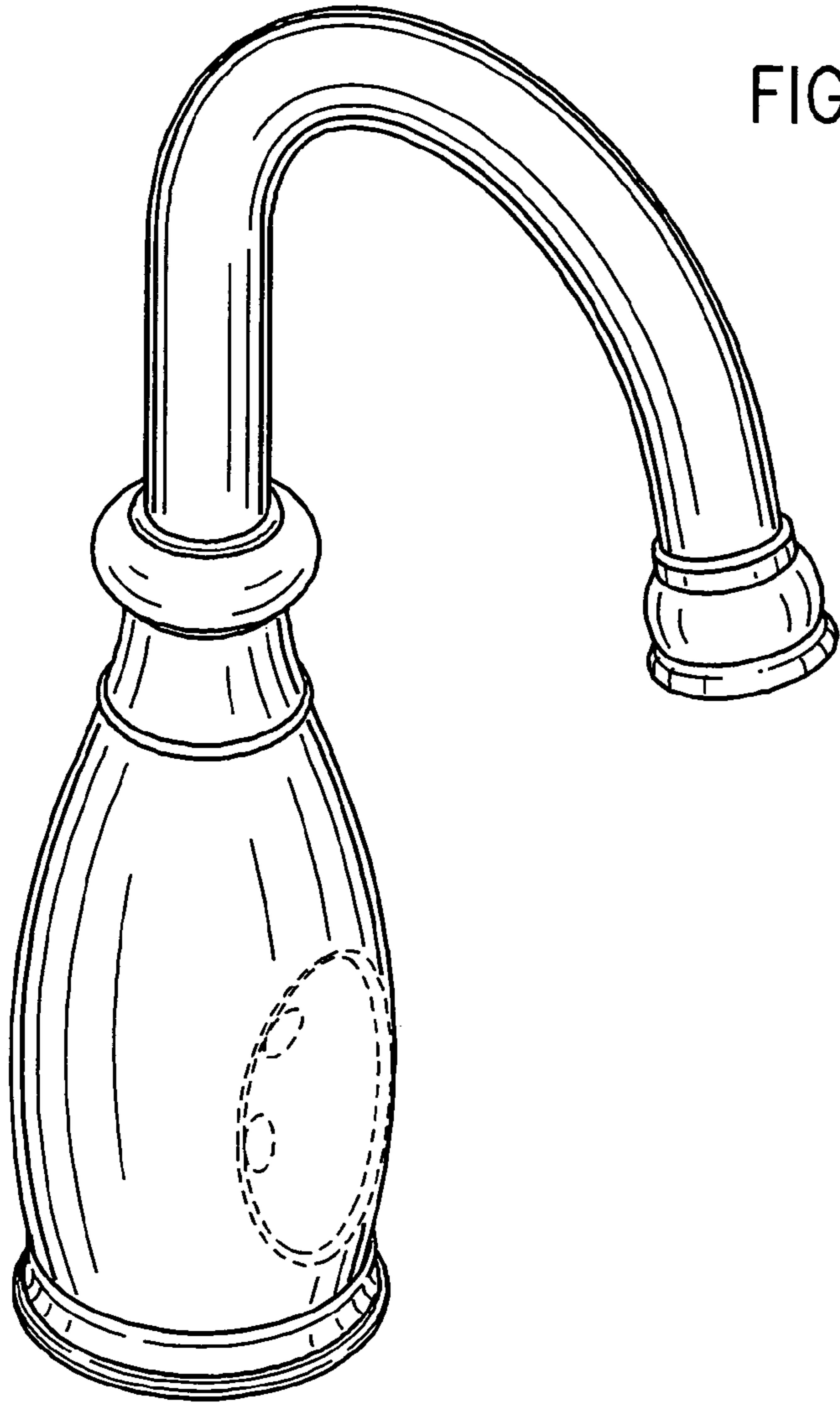


FIG. 1

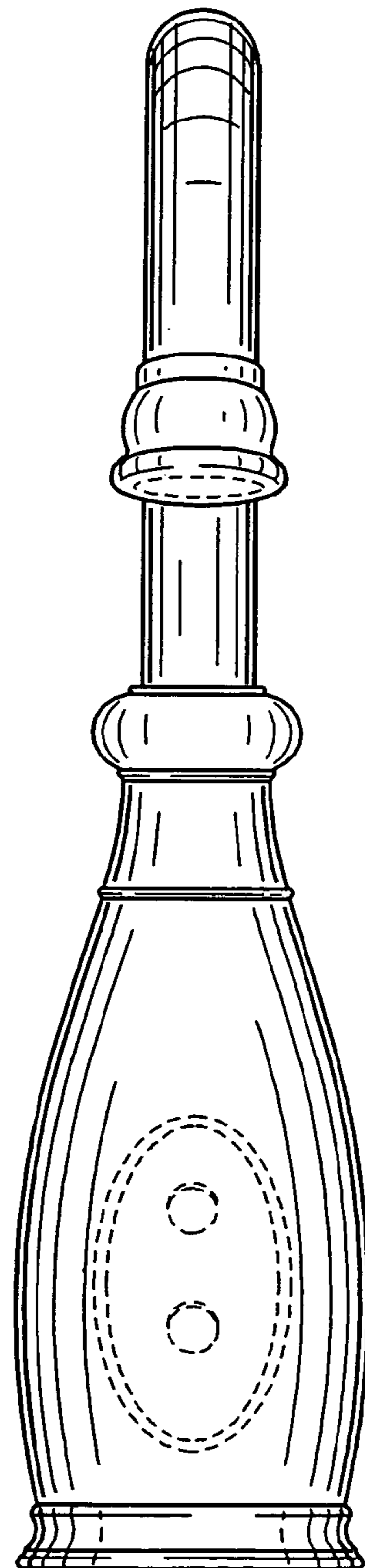


FIG. 2

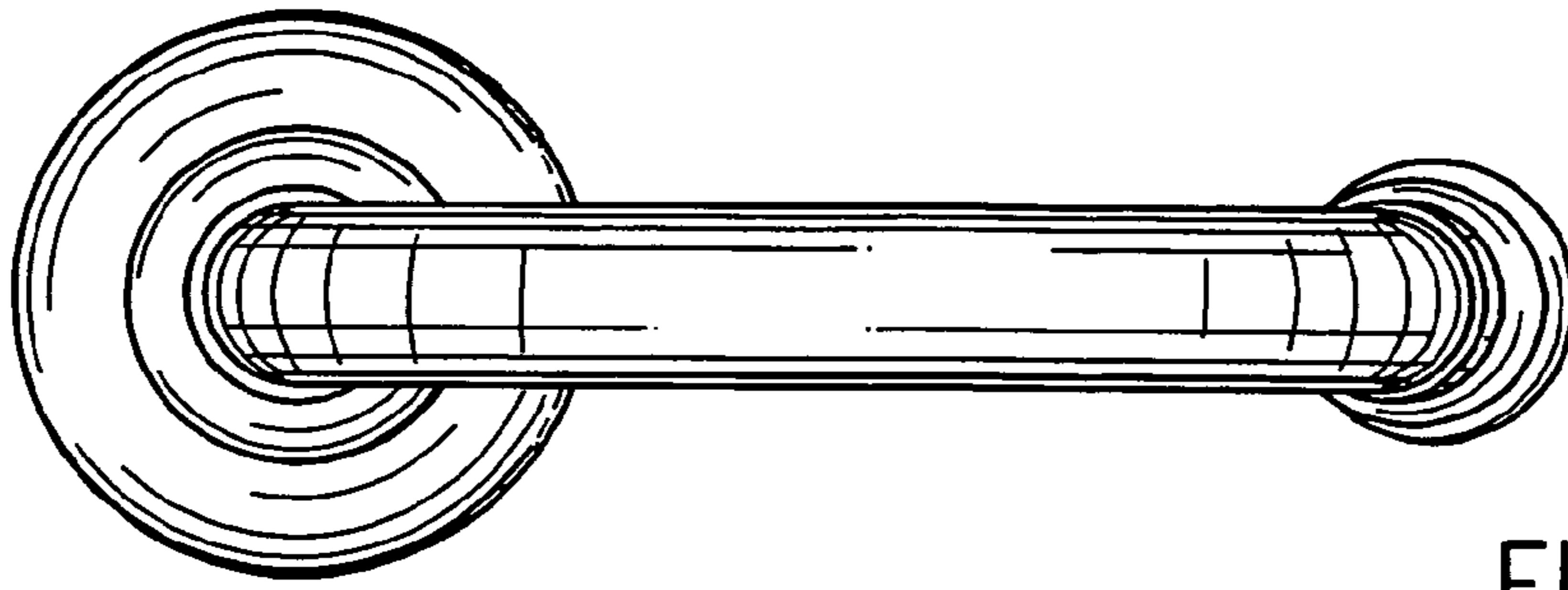


FIG. 3

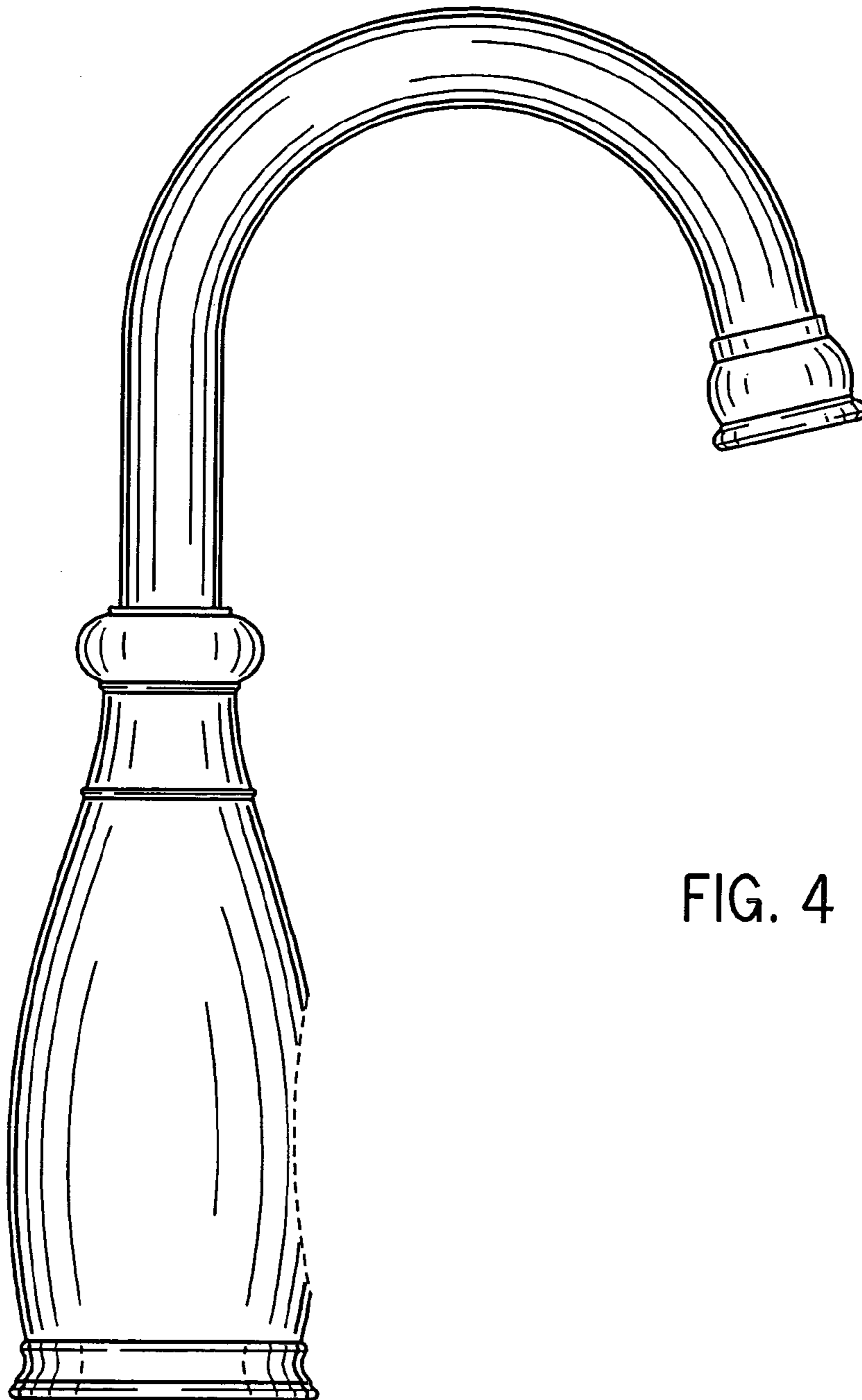


FIG. 4

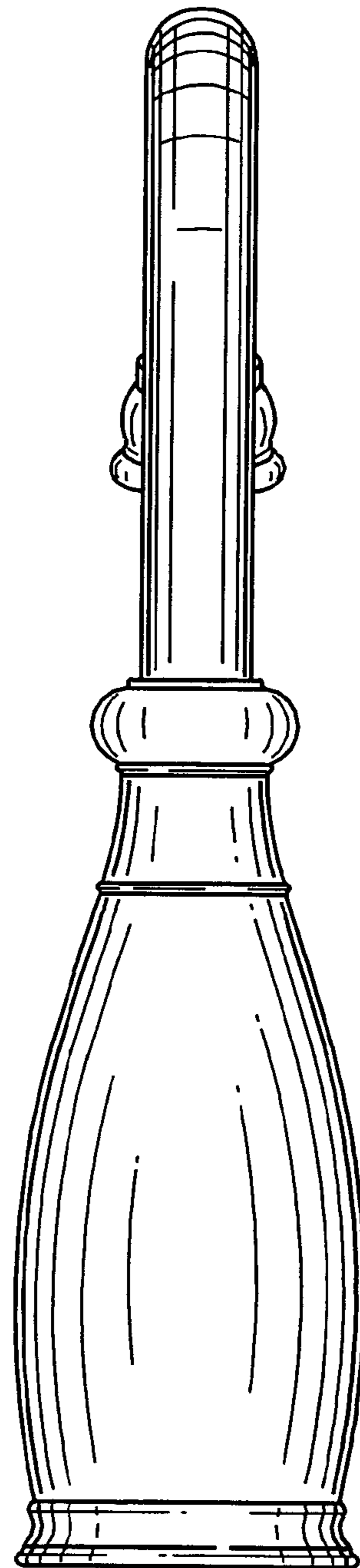


FIG. 5

FIG. 6

