



US00D566811S

(12) **United States Design Patent**
Zhang

(10) **Patent No.:** **US D566,811 S**

(45) **Date of Patent:** **** Apr. 15, 2008**

(54) **FAUCET**

(75) Inventor: **Yuting Zhang**, Shenzhen (CN)

(73) Assignee: **Globe Union Industrial Corp.**,
Taichung (TW)

(**) Term: **14 Years**

(21) Appl. No.: **29/249,722**

(22) Filed: **Oct. 19, 2006**

(51) **LOC (8) Cl.** **23-01**

(52) **U.S. Cl.** **D23/238**

(58) **Field of Classification Search** D23/238-243,
D23/250-257; 4/675-678; 137/801
See application file for complete search history.

(56) **References Cited**

U.S. PATENT DOCUMENTS

D487,923 S * 3/2004 Fraser et al. D23/255

D534,621 S * 1/2007 Chu et al. D23/238
D539,871 S * 4/2007 Hanna D23/238

* cited by examiner

Primary Examiner—Robert A. Delehanty

(74) *Attorney, Agent, or Firm*—Leong C. Lei

(57) **CLAIM**

The ornamental design for a faucet, as shown and described.

DESCRIPTION

FIG. 1 is a perspective view of a faucet showing my new design;

FIG. 2 is a front elevational view thereof;

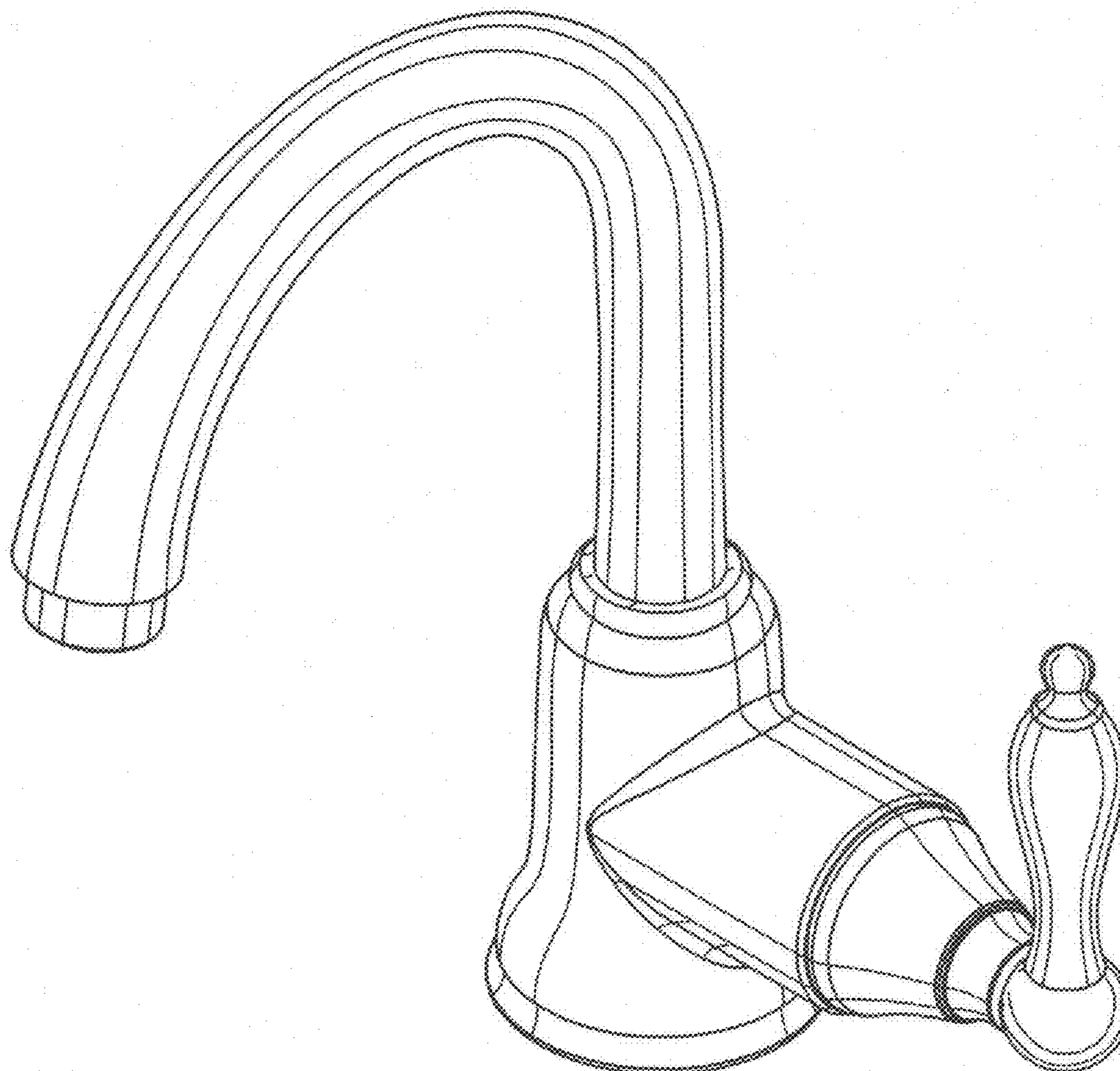
FIG. 3 is a rear elevational view thereof;

FIG. 4 is a left side elevational view thereof;

FIG. 5 is a right side elevational view thereof; and,

FIG. 6 is a top plan view thereof.

1 Claim, 6 Drawing Sheets



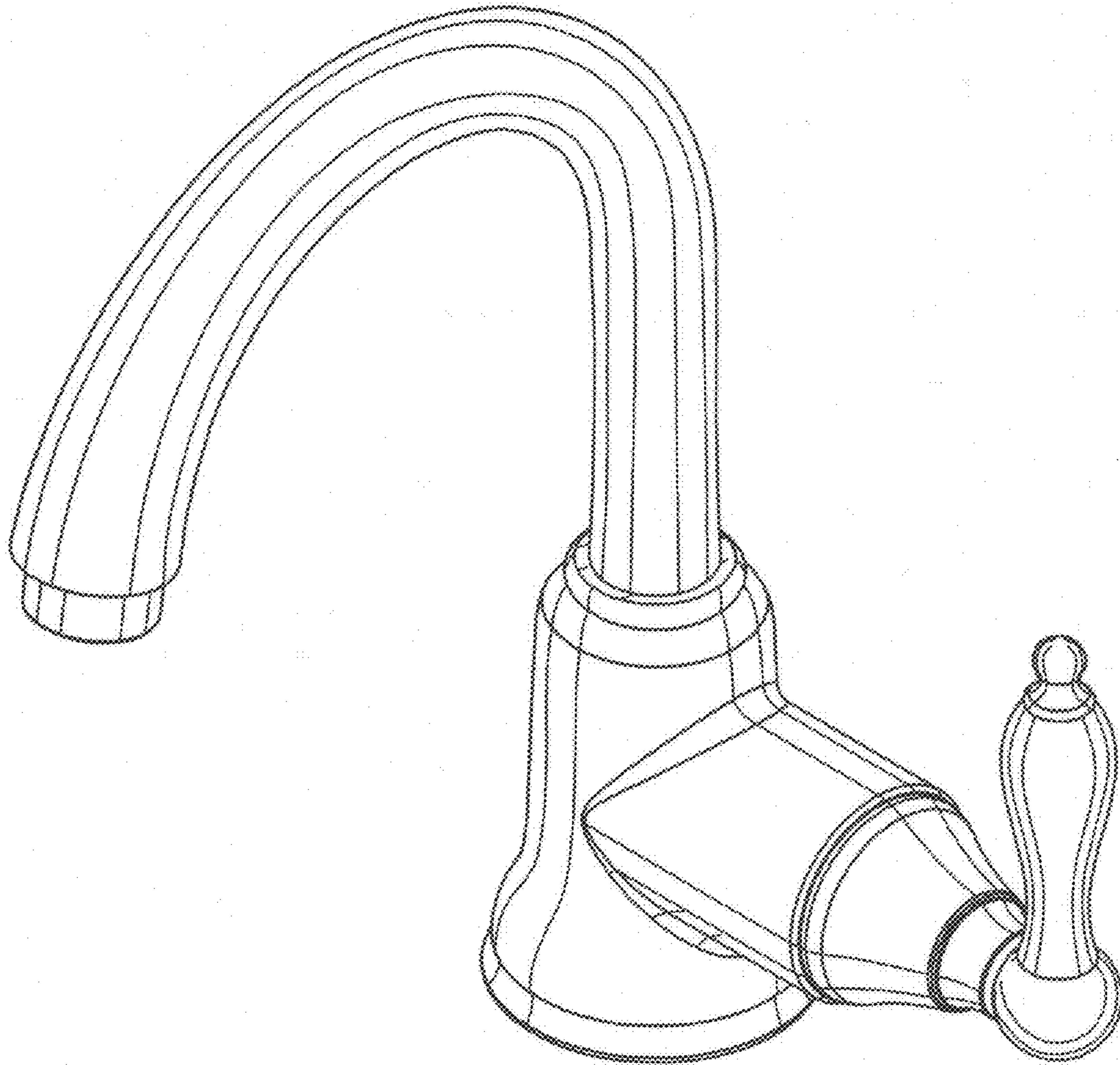


FIG. 1

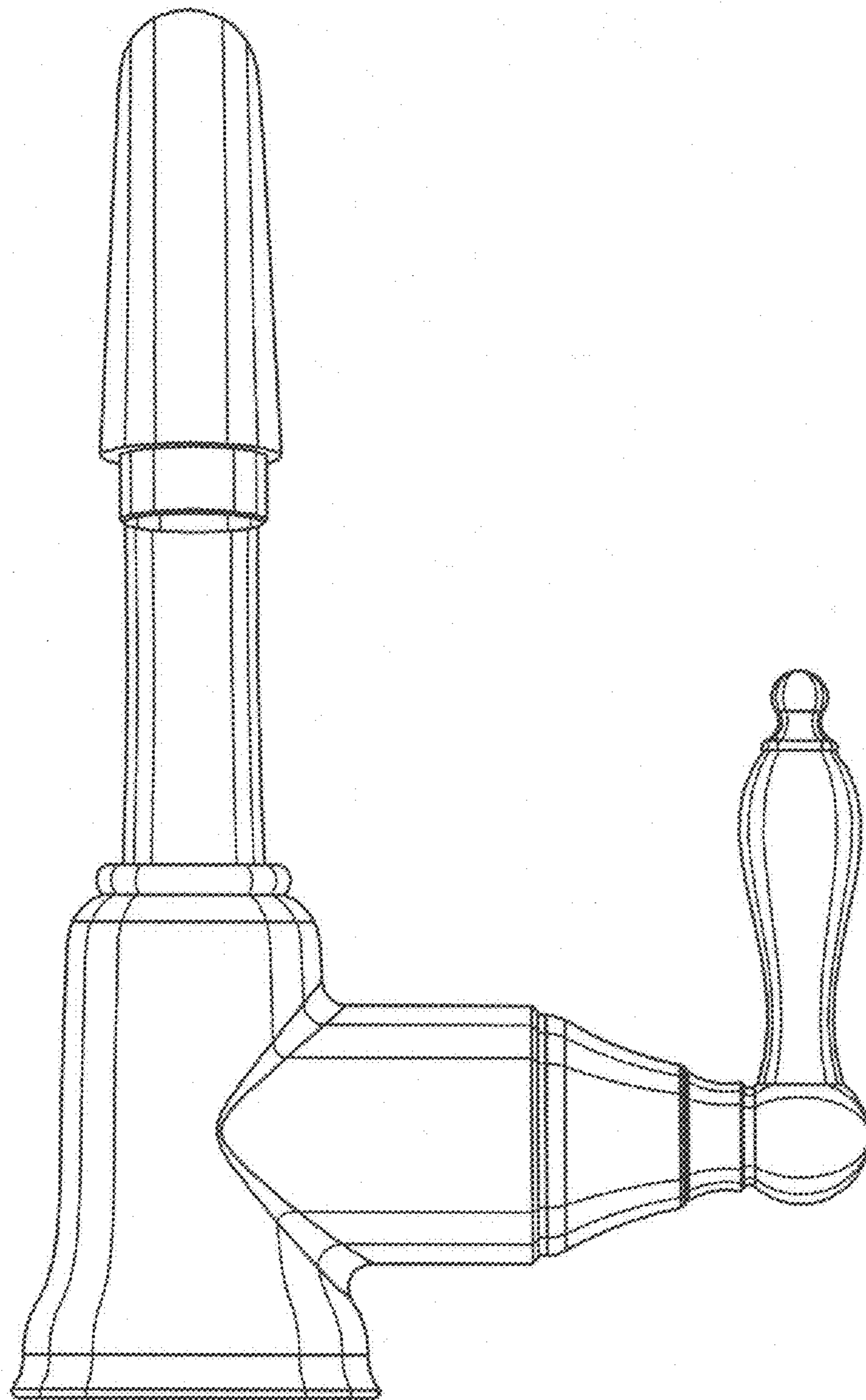


FIG. 2

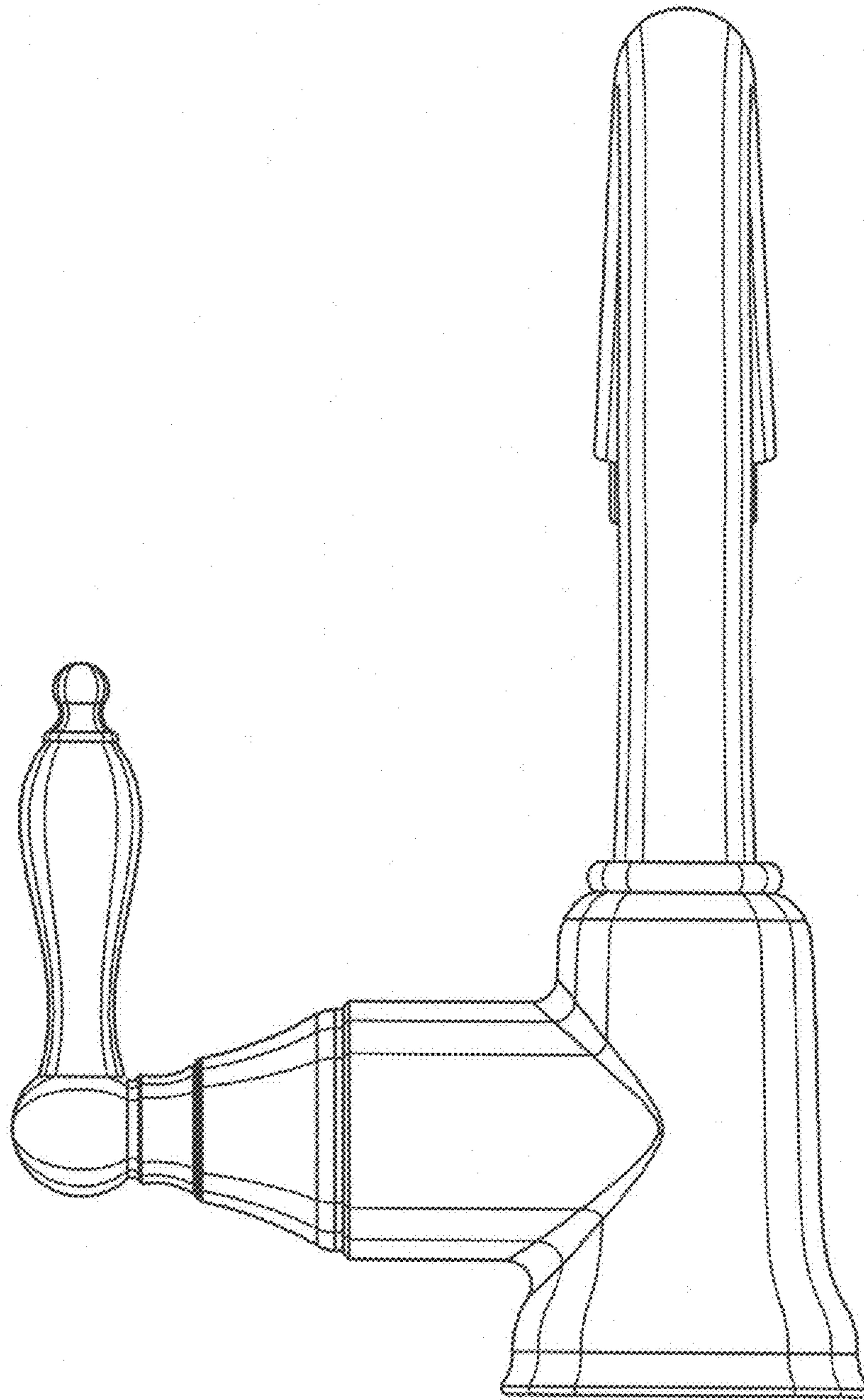


FIG. 3

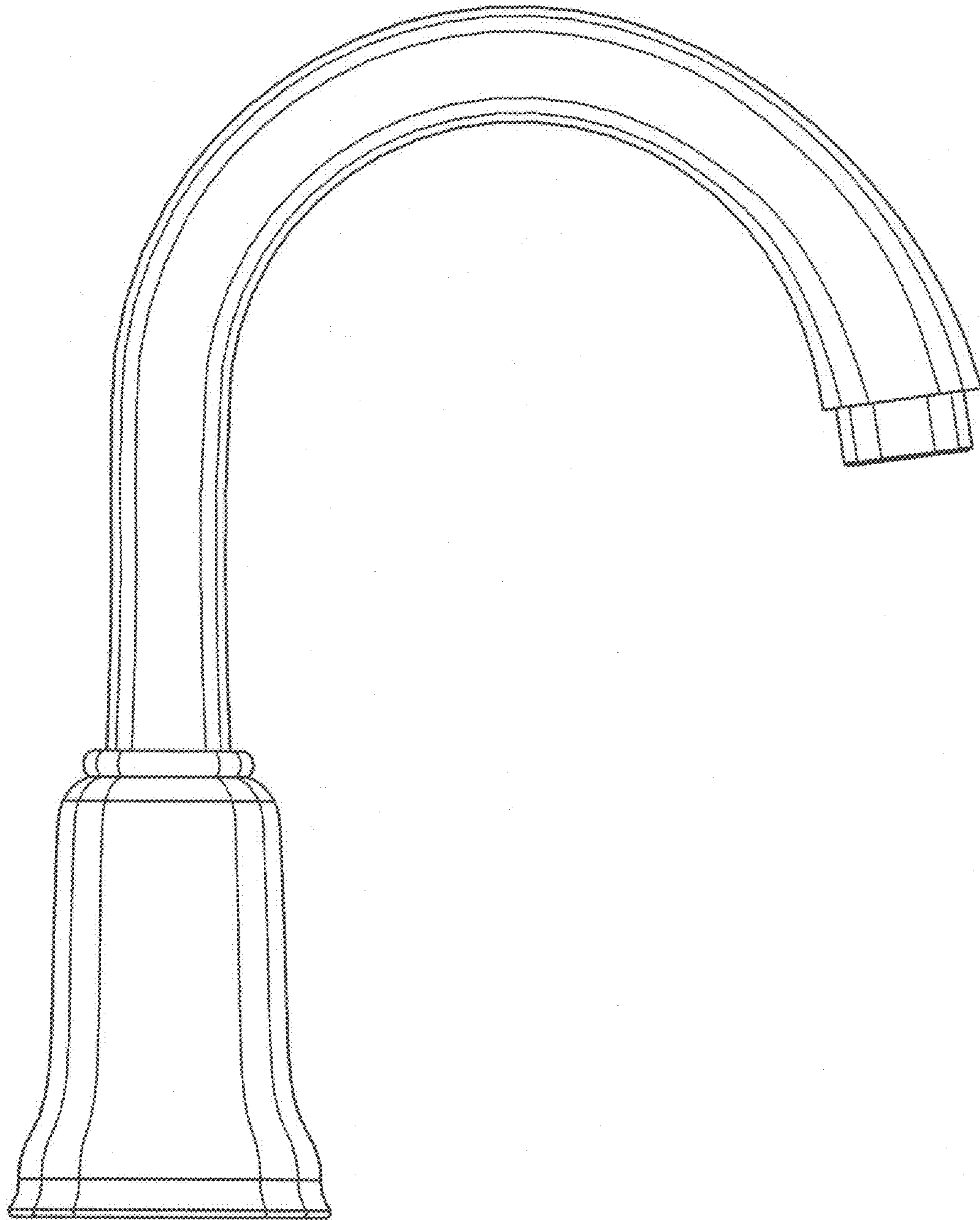


FIG. 4

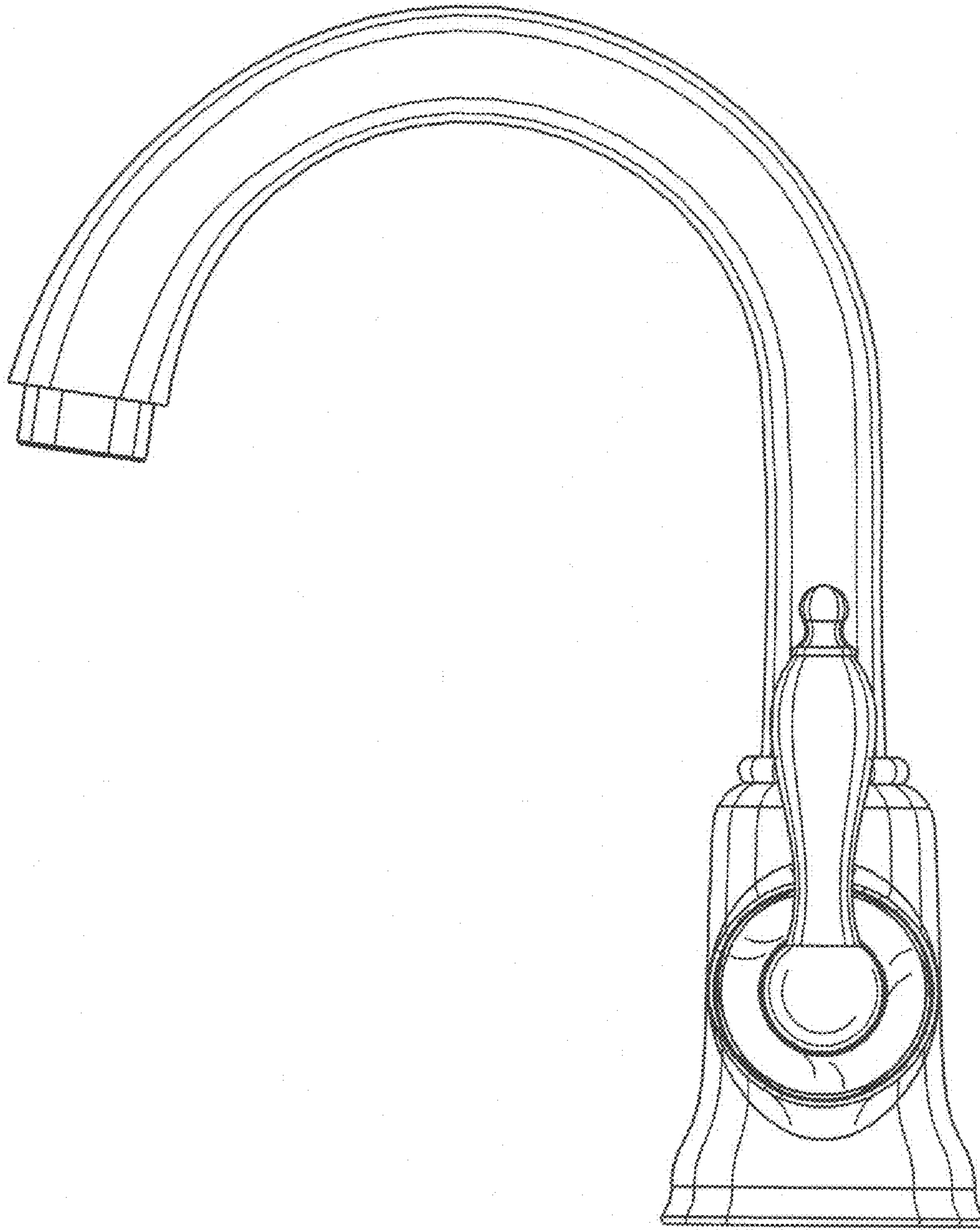


FIG. 5

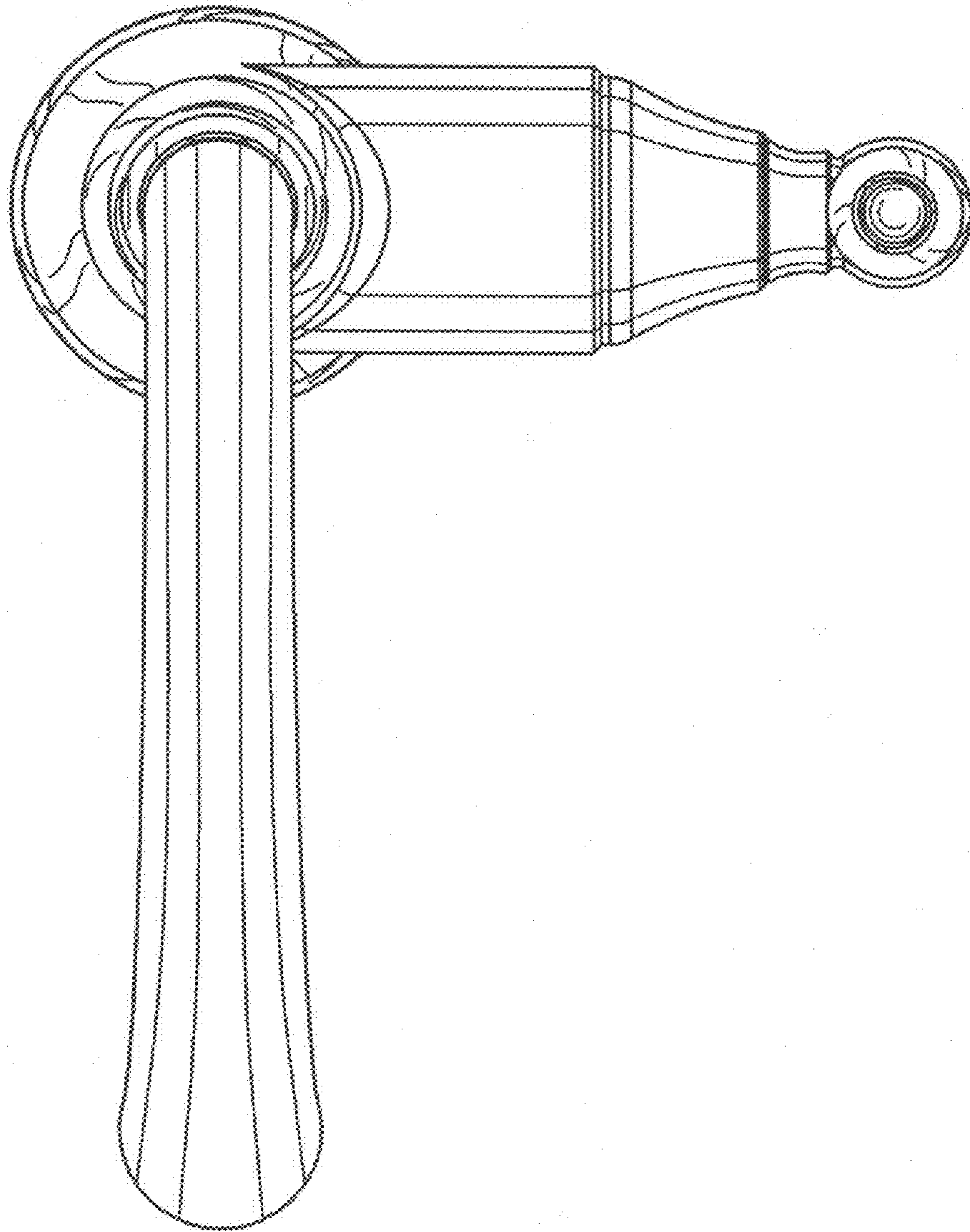


FIG. 6