



US00D566810S

(12) **United States Design Patent**
Rivard

(10) **Patent No.:** **US D566,810 S**
(45) **Date of Patent:** **** Apr. 15, 2008**

(54) **FLOAT RING FOR A WATER COOLER RESERVOIR**

(74) *Attorney, Agent, or Firm*—Merek, Blackmon & Voorhees, LLC

(75) Inventor: **Dennis Rivard**, St. Albert (CA)

(57) **CLAIM**

(73) Assignee: **Denfred Holdings Ltd.**, Edmonton, Alberta (CA)

The ornamental design for float ring for a water cooler reservoir, as shown and described.

(**) Term: **14 Years**

(21) Appl. No.: **29/238,412**

DESCRIPTION

(22) Filed: **Sep. 16, 2005**

Related U.S. Application Data

(63) Continuation of application No. 10/791,769, filed on Mar. 4, 2004, now Pat. No. 7,051,902.

FIG. 1 is a front view of my float ring for a water cooler reservoir, the broken lines are for illustrative purposes only and forms no part of the claimed design or a specified embodiment thereof;

(30) **Foreign Application Priority Data**

Mar. 13, 2003 (CA) 2421801

FIG. 2 is a front view of the apparatus depicted in FIG. 1, the rear view being the mirror image thereof, the broken lines are for illustrative purposes only and forms no part of the claimed design or a specified embodiment thereof.

(51) **LOC (8) Cl.** **23-01**

(52) **U.S. Cl.** **D23/236**

(58) **Field of Classification Search** D23/233–237, D23/244–249; D7/398; D21/781, 444; 222/146.6, 222/185.1; 137/515.5, 515; 4/249, 250; 251/299

FIG. 3 is a top view of the apparatus depicted in FIG. 1, the broken lines are for illustrative purposes only and forms no part of the claimed design or a specified embodiment thereof.

See application file for complete search history.

FIG. 4 is a sectional view of the apparatus depicted in FIG. 1 taken along the lines 4—4 of FIG. 3, the broken lines are for illustrative purposes only and form no part of the claimed design or a specified embodiment thereof.

(56) **References Cited**

U.S. PATENT DOCUMENTS

1,706,631 A	3/1929	O'Brien	
2,239,921 A	4/1941	Majewski	
D251,677 S *	4/1979	Johnson D23/236
4,757,921 A	7/1988	Snowball	
5,133,482 A	7/1992	Burrows	

(Continued)

FOREIGN PATENT DOCUMENTS

DE 1078891 3/1960

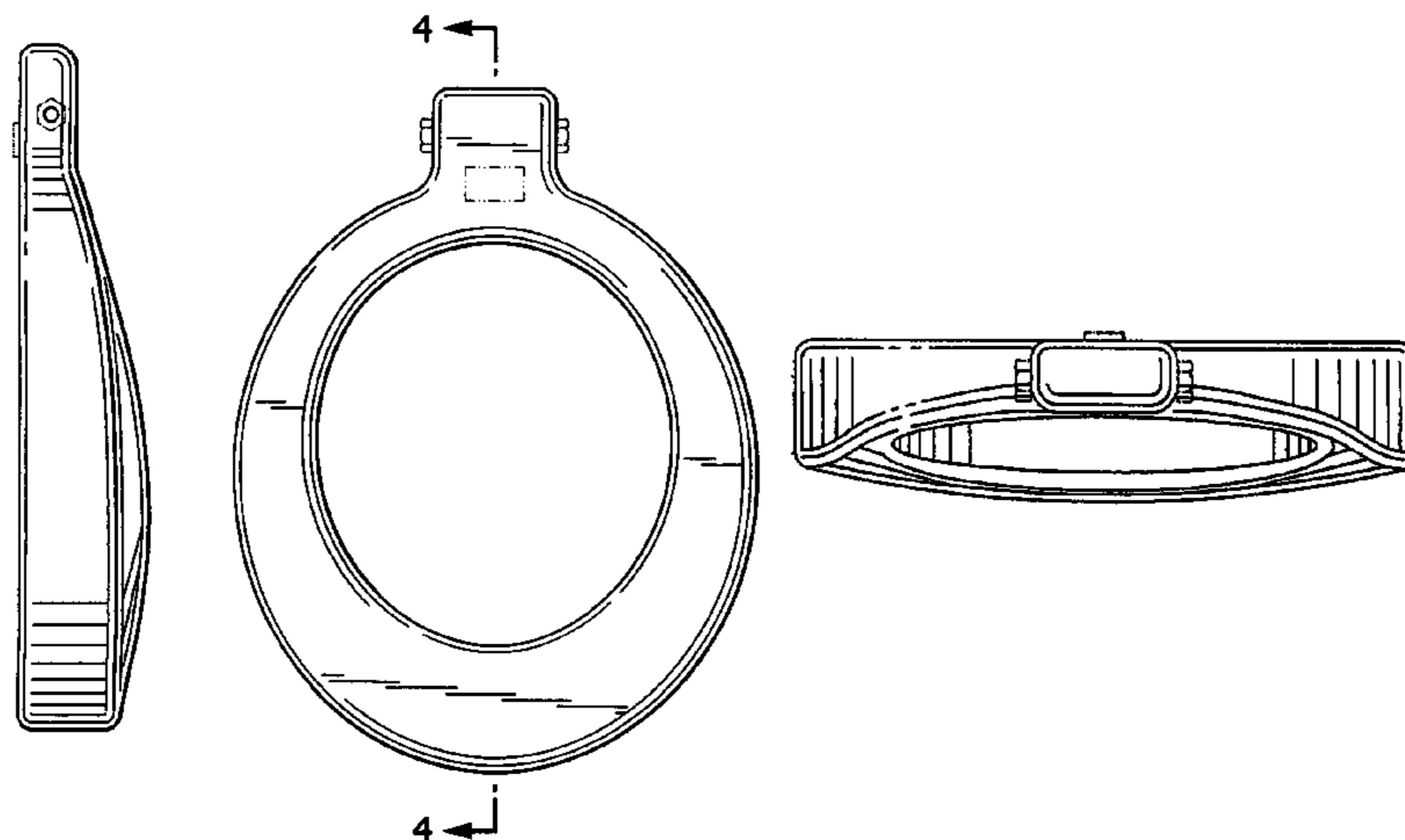
FIG. 5 is a bottom view of the apparatus depicted in FIG. 1, the broken lines are for illustrative purposes only and form no part of the claimed design or a specified embodiment thereof.

FIG. 6 is a left side view of the apparatus depicted in FIG. 1, the broken lines are for illustrative purposes only and form no part of the claimed design or a specified embodiment thereof; and,

Primary Examiner—Ian Simmons
Assistant Examiner—Maurice Stevens

FIG. 7 is a right side view of the apparatus depicted in FIG. 1, the broken lines are for illustrative purposes only and form no part of the claimed design or a specified embodiment thereof.

1 Claim, 3 Drawing Sheets



US D566,810 S

Page 2

U.S. PATENT DOCUMENTS

5,172,831	A	12/1992	Burrows				
5,211,314	A	5/1993	Burrows				
5,323,832	A	6/1994	Burrows				
D353,847	S *	12/1994	Kelsen	D21/444			
5,526,961	A	6/1996	Burrows				
5,577,638	A	11/1996	Takagawa				
5,611,459	A	3/1997	Hinch				
5,862,952	A	1/1999	Lee				
D424,168	S *	5/2000	Higgins	D23/236			
6,190,549	B1	2/2001	Schwartz et al.				
6,540,111	B2	4/2003	Sunnarborg				
D502,225	S *	2/2005	Kotsonis et al.	D21/444			
2002/0170921	A1 *	11/2002	Tan et al.	222/67			
2003/0071068	A1 *	4/2003	Burrows	222/185.1			
2004/0178229	A1 *	9/2004	Rivard et al.	222/457			
2005/0229299	A1 *	10/2005	Balding	4/378			

* cited by examiner

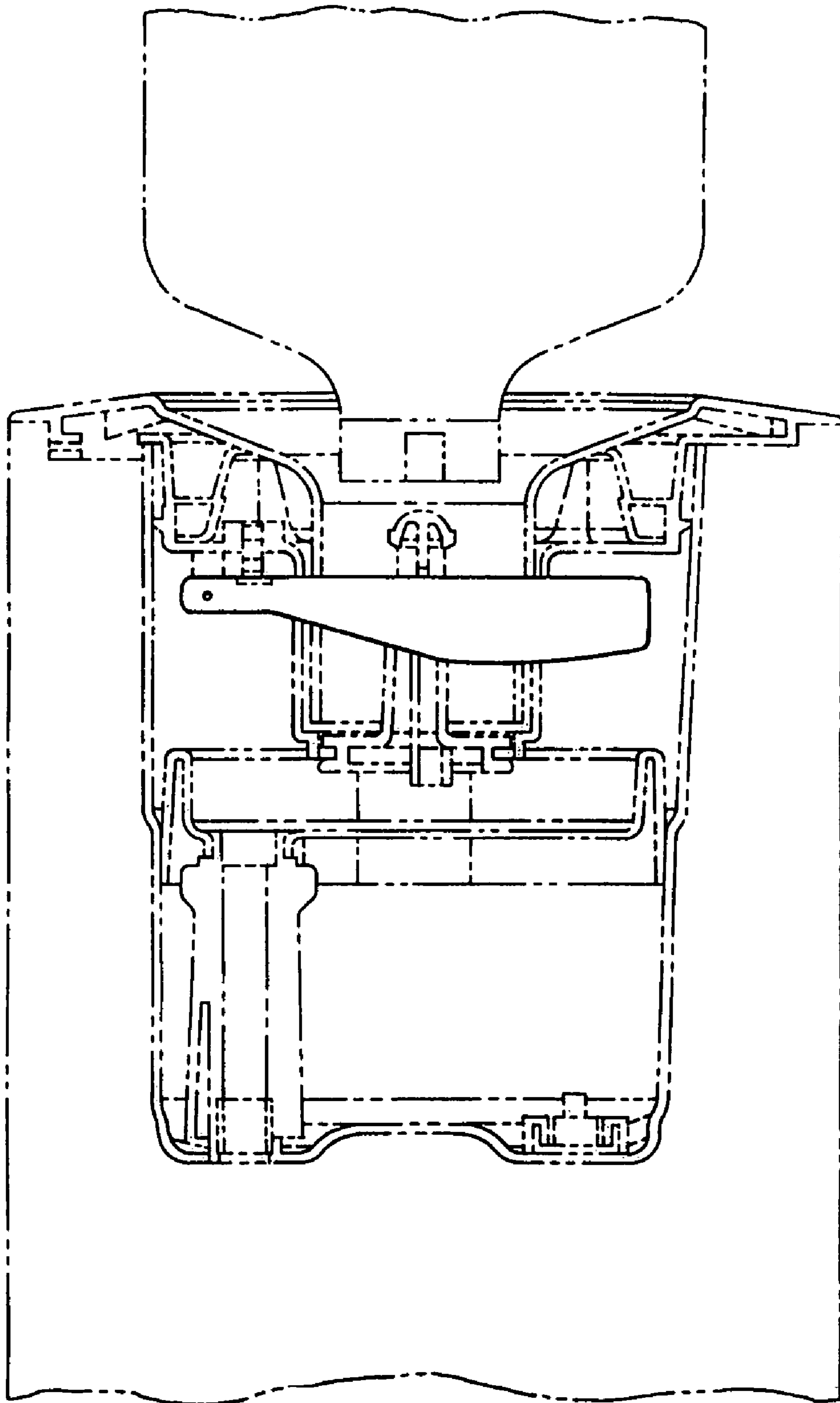


FIG. 1



FIG. 2

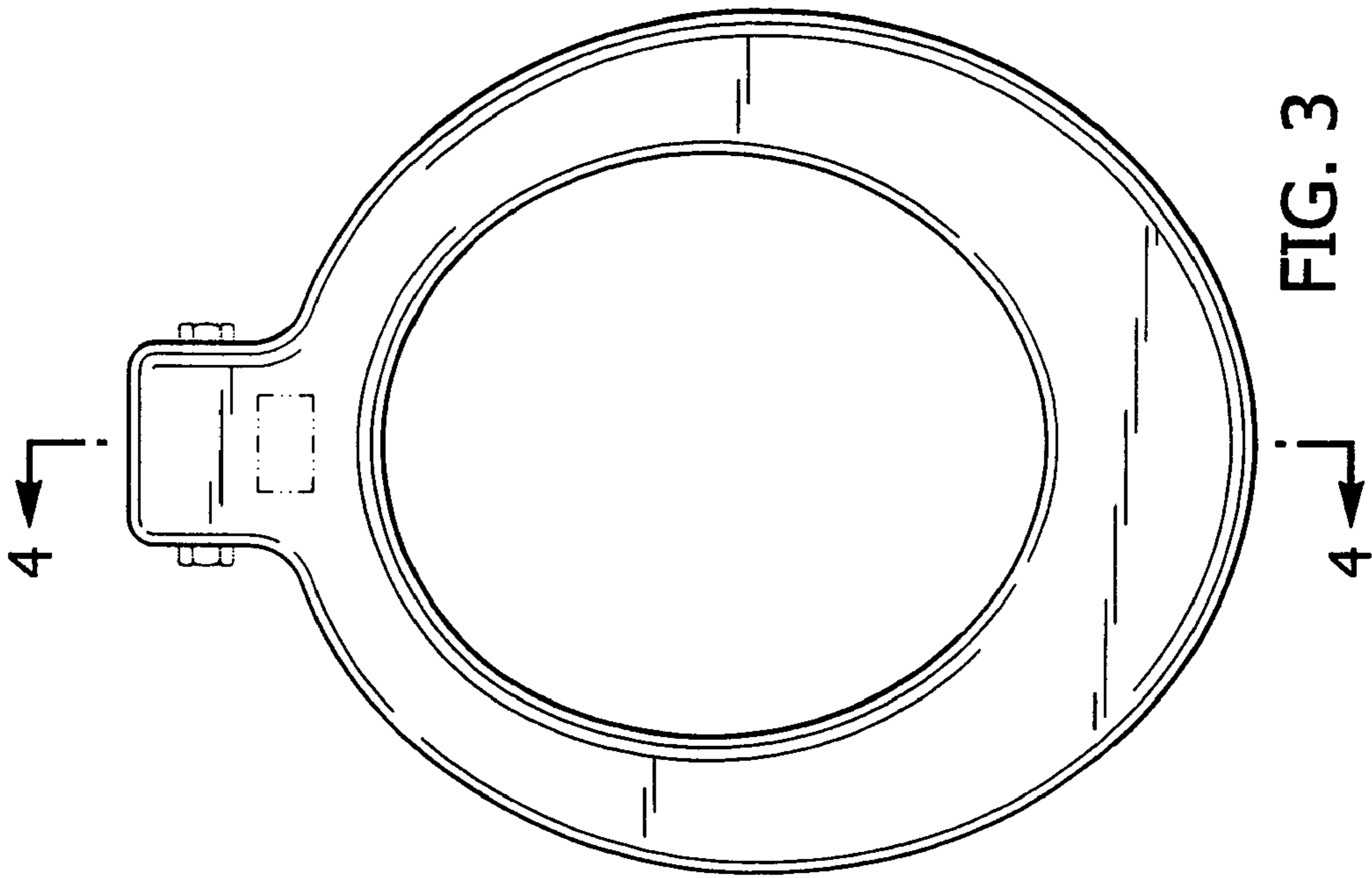


FIG. 3

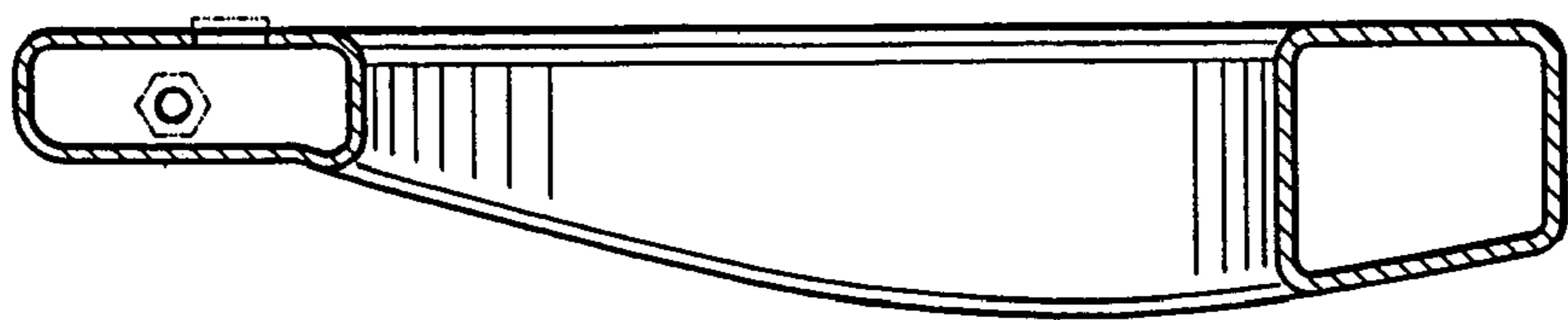


FIG. 4

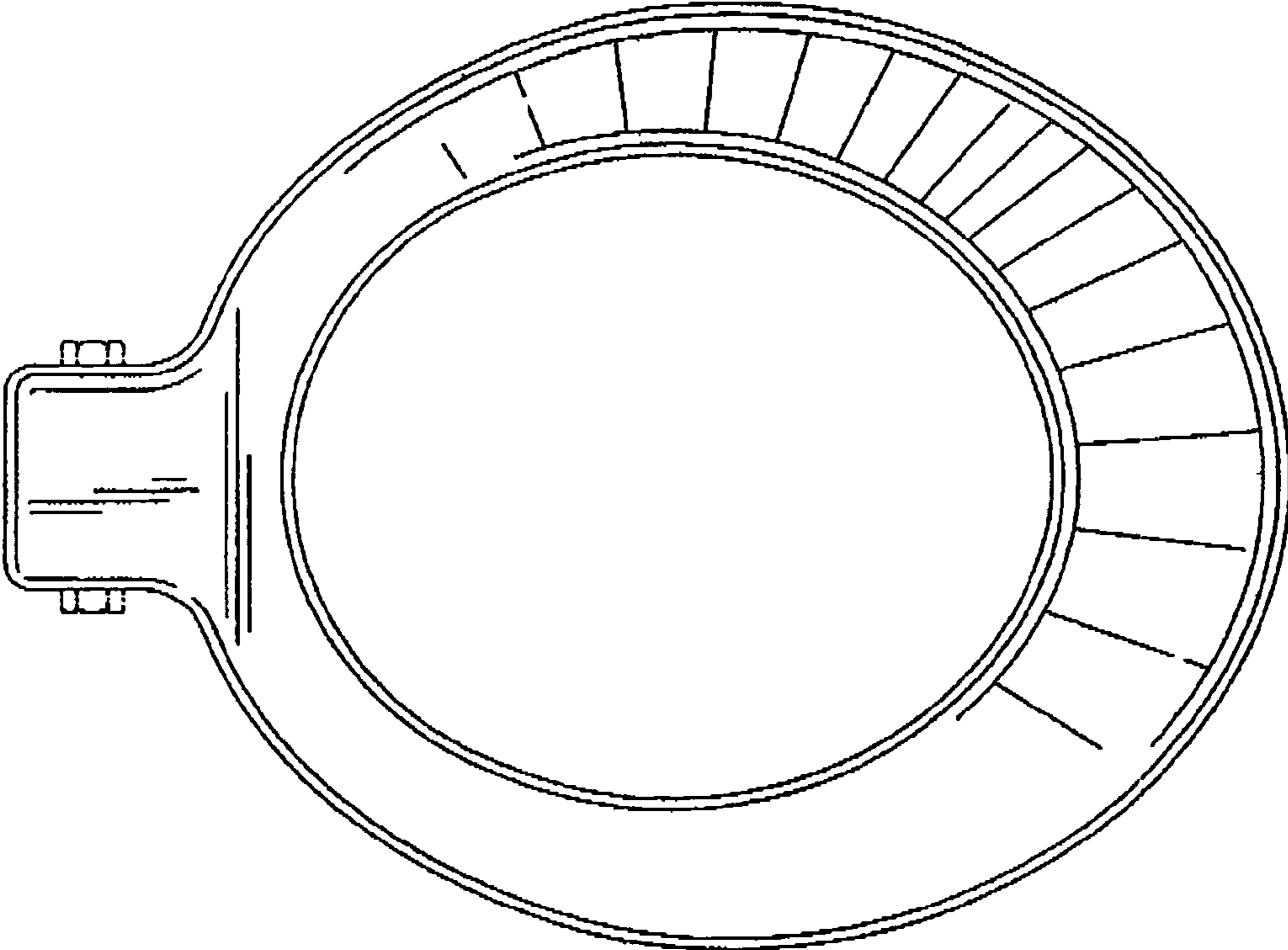


FIG. 5

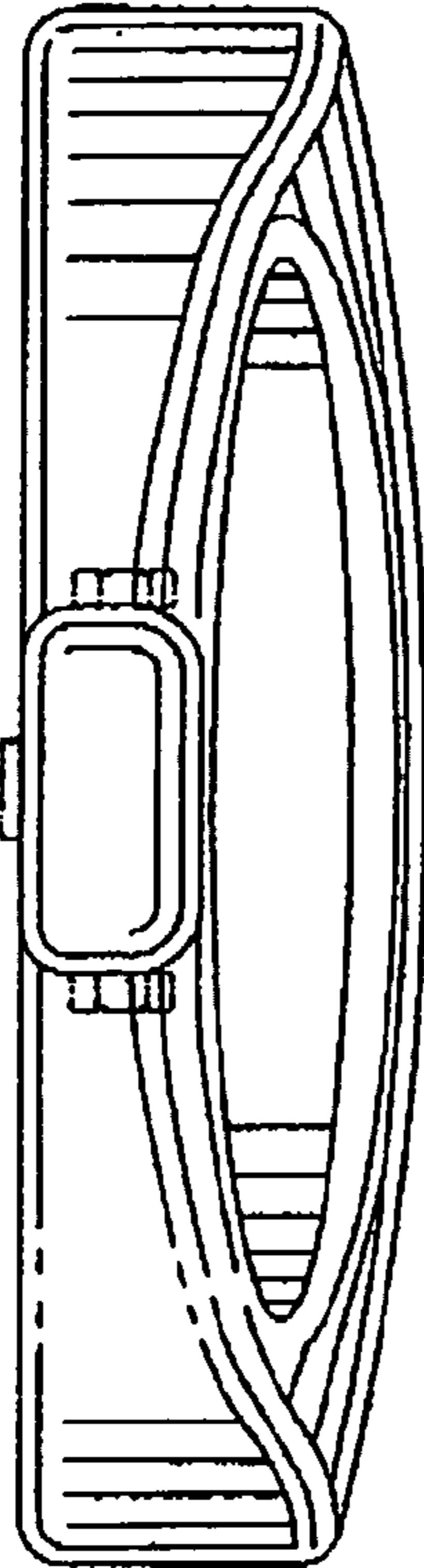


FIG. 6

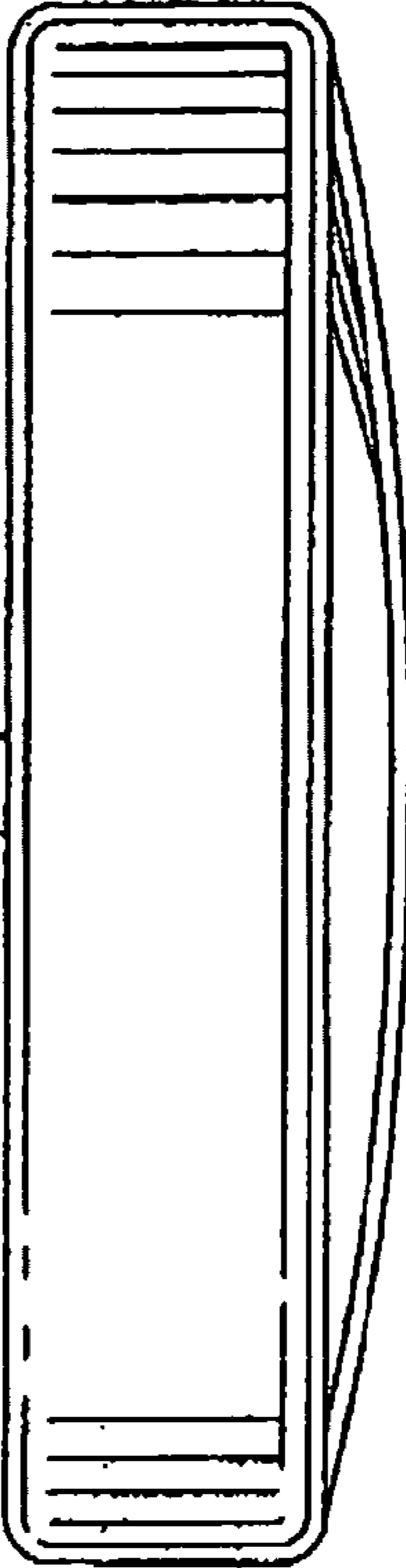


FIG. 7