

US00D566809S

(12) **United States Design Patent**  
**Woodward**

(10) **Patent No.:** **US D566,809 S**

(45) **Date of Patent:** **\*\* Apr. 15, 2008**

(54) **WASHER NOZZLE**

(75) Inventor: **Malcolm Woodward**, Worcester (GB)

(73) Assignee: **Breconcherry Limited**, Ledbury (GB)

(\*\*) Term: **14 Years**

(21) Appl. No.: **29/253,501**

(22) Filed: **Feb. 7, 2006**

(30) **Foreign Application Priority Data**

Dec. 19, 2005 (EM) ..... 000452123

(51) **LOC (8) Cl.** ..... **23-01**

(52) **U.S. Cl.** ..... **D23/213; D12/220**

(58) **Field of Classification Search** ..... D23/212;  
D12/220; 239/284.1, 284.2; 15/250.1; 285/214,  
285/215

See application file for complete search history.

(56) **References Cited**

**U.S. PATENT DOCUMENTS**

D167,527 S \* 8/1952 Neufeld ..... D23/213  
5,433,382 A \* 7/1995 Baumgarten et al. .... 239/284.1

6,454,184 B1 \* 9/2002 Merkel et al. .... 239/284.1  
6,604,692 B2 \* 8/2003 Utz et al. .... 239/284.1  
7,014,131 B2 \* 3/2006 Berning et al. .... 239/589.1  
7,111,793 B2 \* 9/2006 Maruyama et al. .... 239/284.1

\* cited by examiner

*Primary Examiner*—Robin V Webster

(74) *Attorney, Agent, or Firm*—MacMillan, Sobanski & Todd, LLC

(57) **CLAIM**

The ornamental design for a washer nozzle, as shown.

**DESCRIPTION**

FIG. 1 is a top plan view of a washer nozzle embodying my design.

FIG. 2 is a first side elevational view thereof.

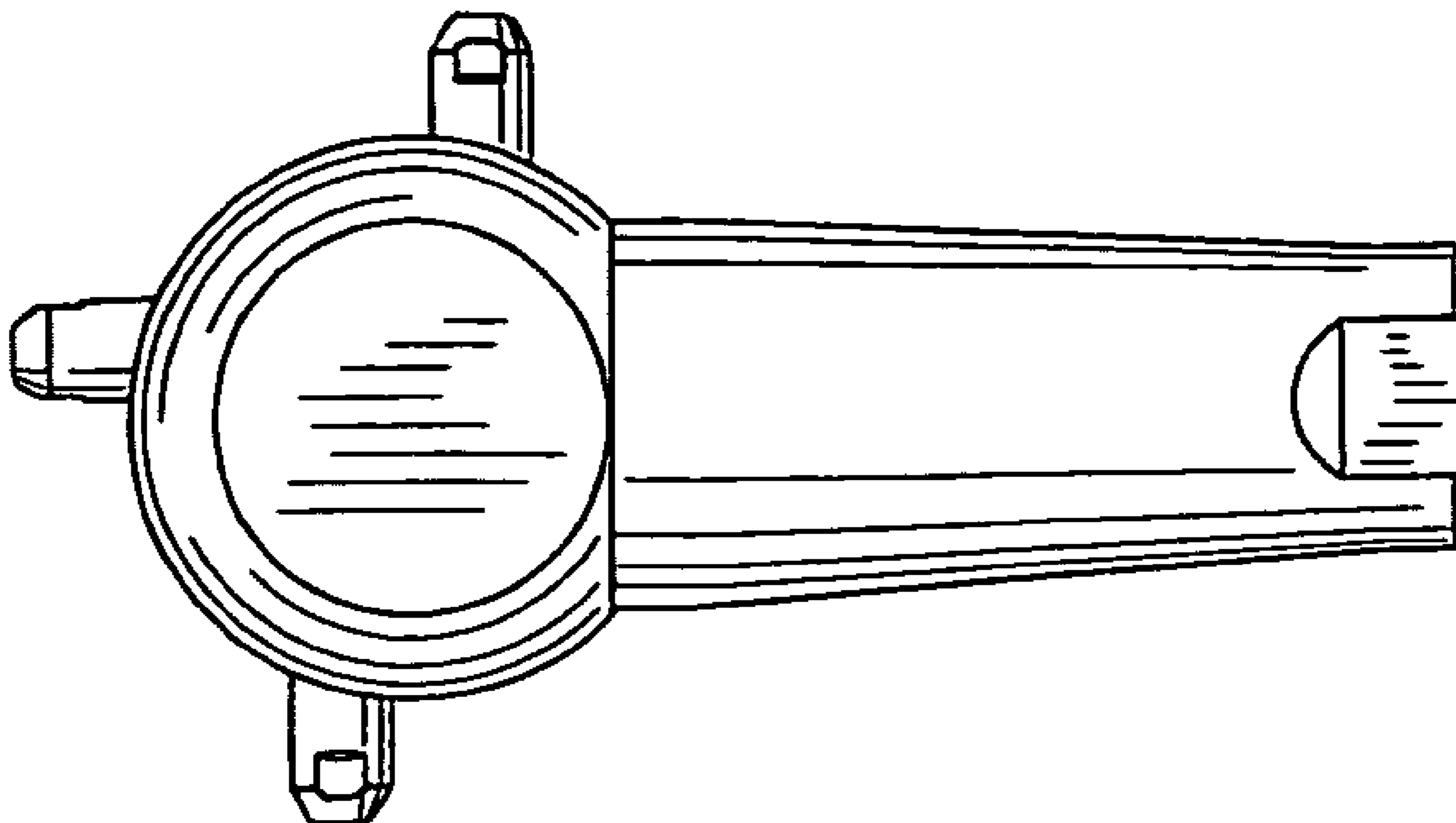
FIG. 3 is a second side elevational view thereof.

FIG. 4 is a bottom plan view thereof.

FIG. 5 is a first end elevational view thereof; and,

FIG. 6 is a second end elevational view thereof.

**1 Claim, 2 Drawing Sheets**



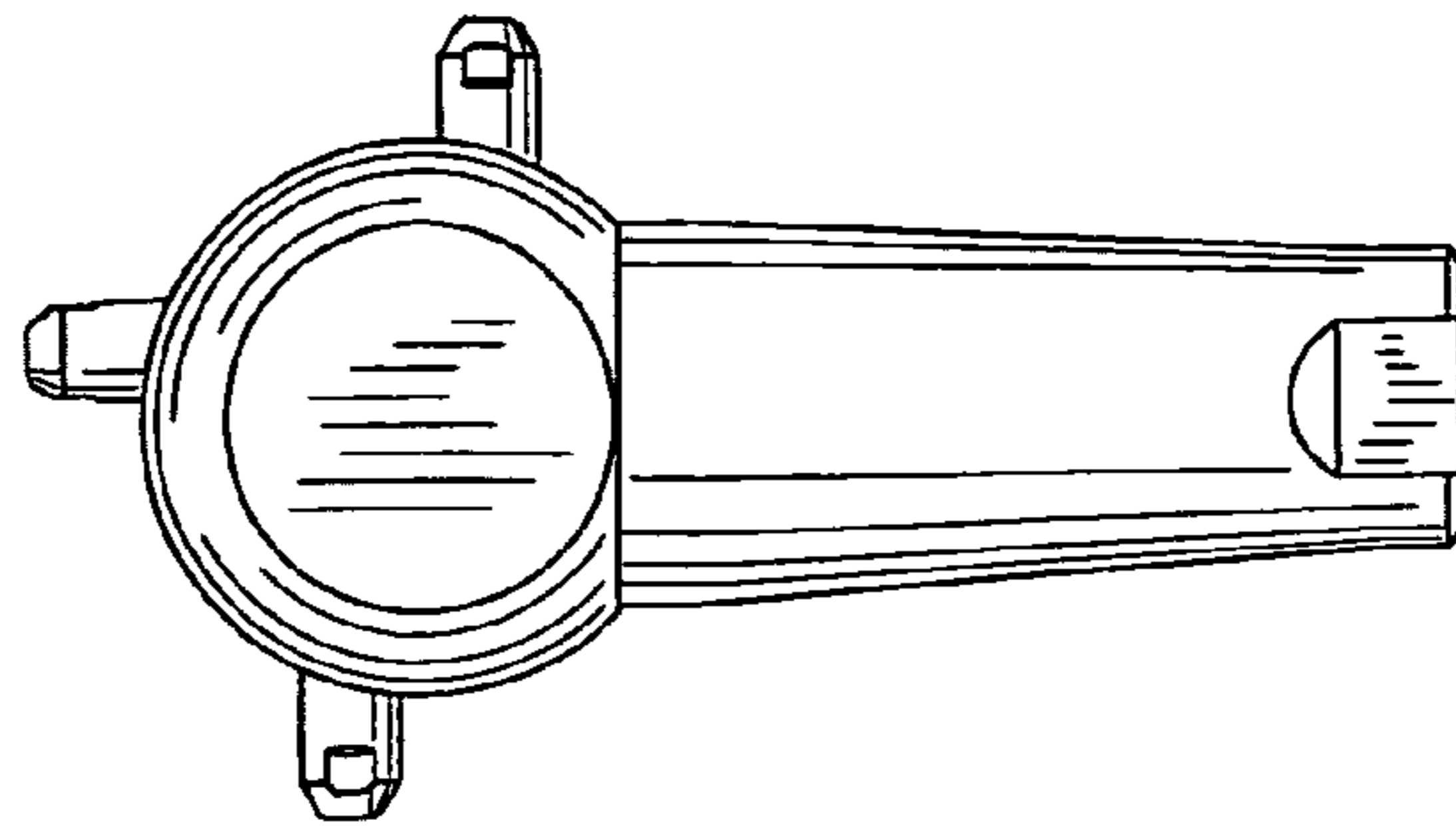


Fig. 1

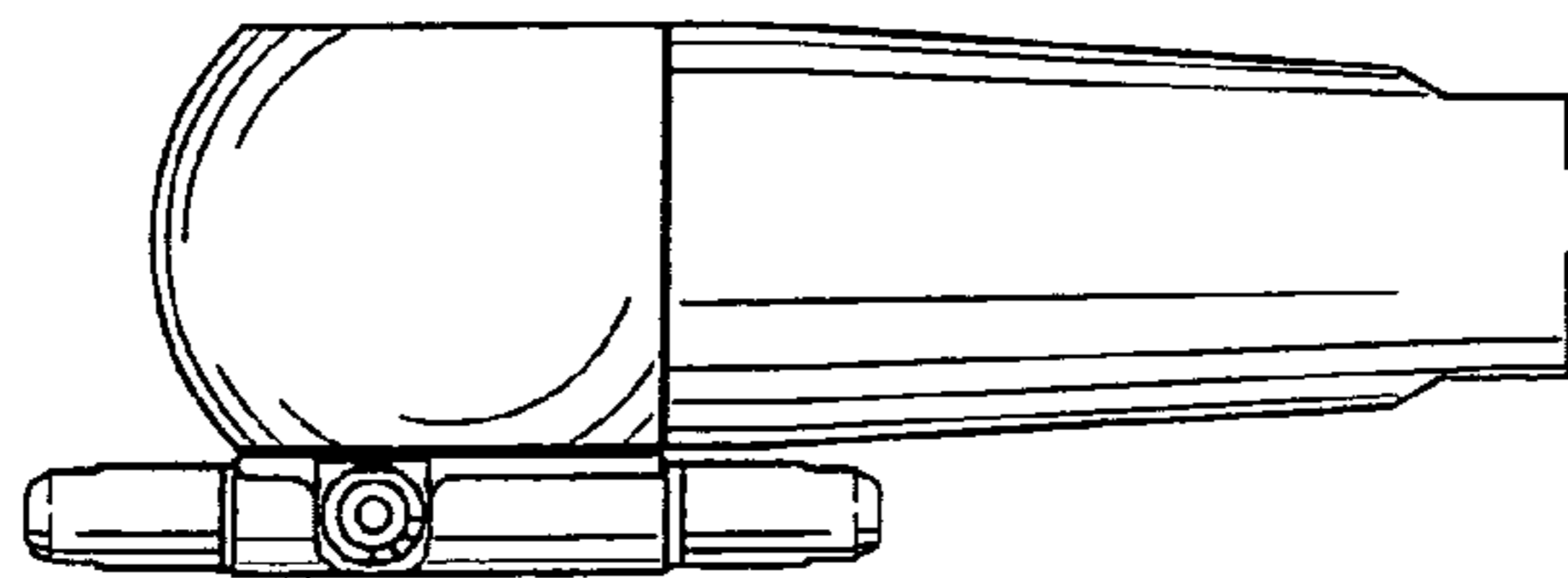


Fig. 2

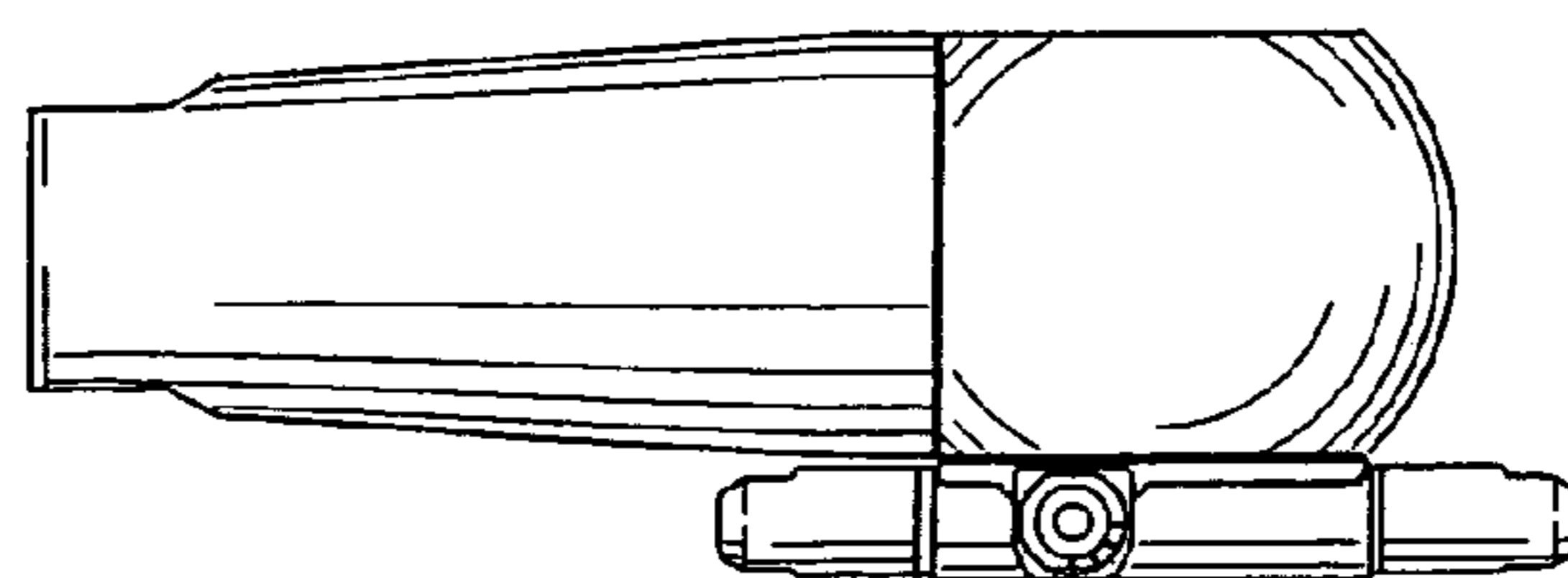


Fig. 3

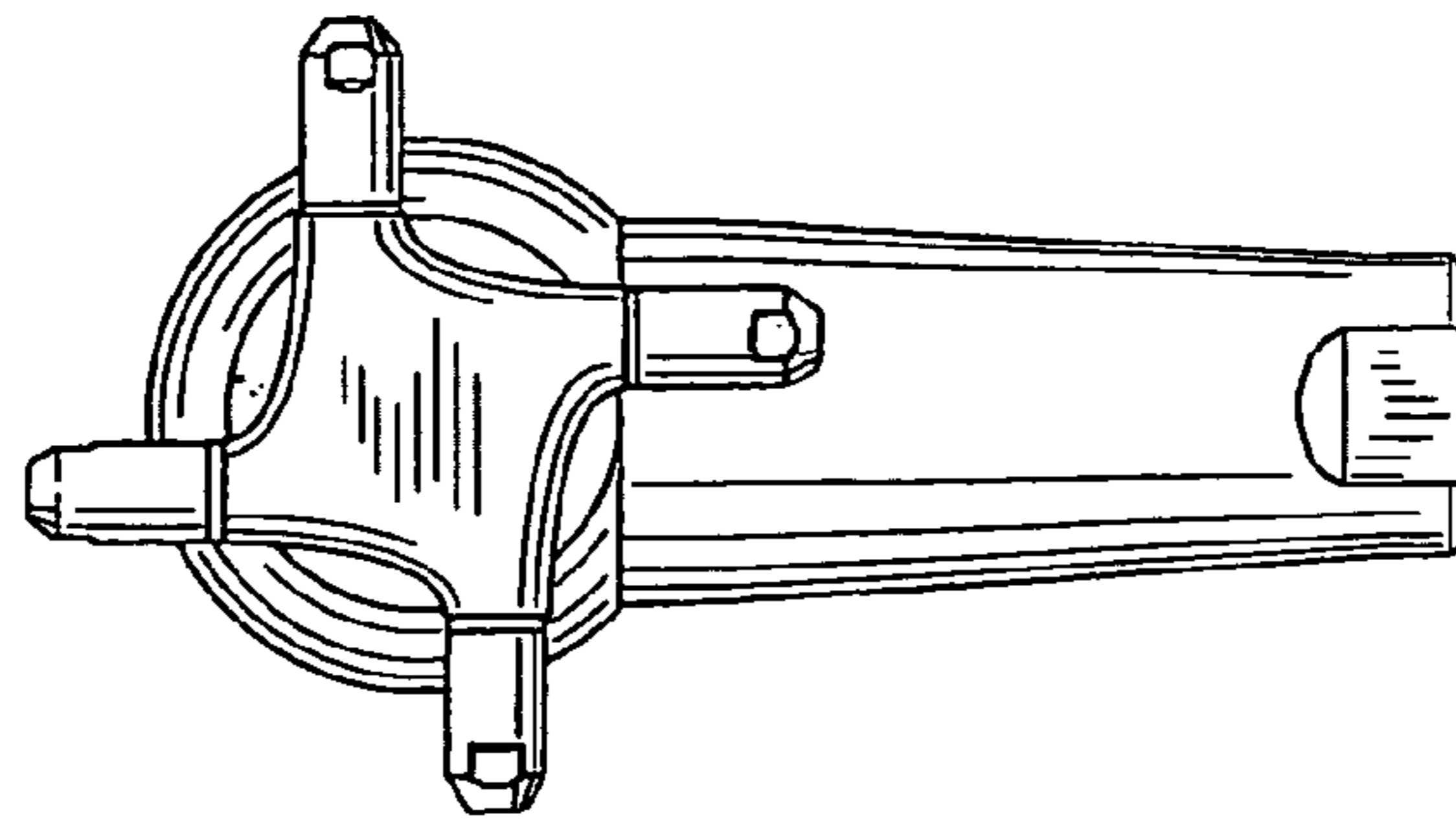


Fig. 4

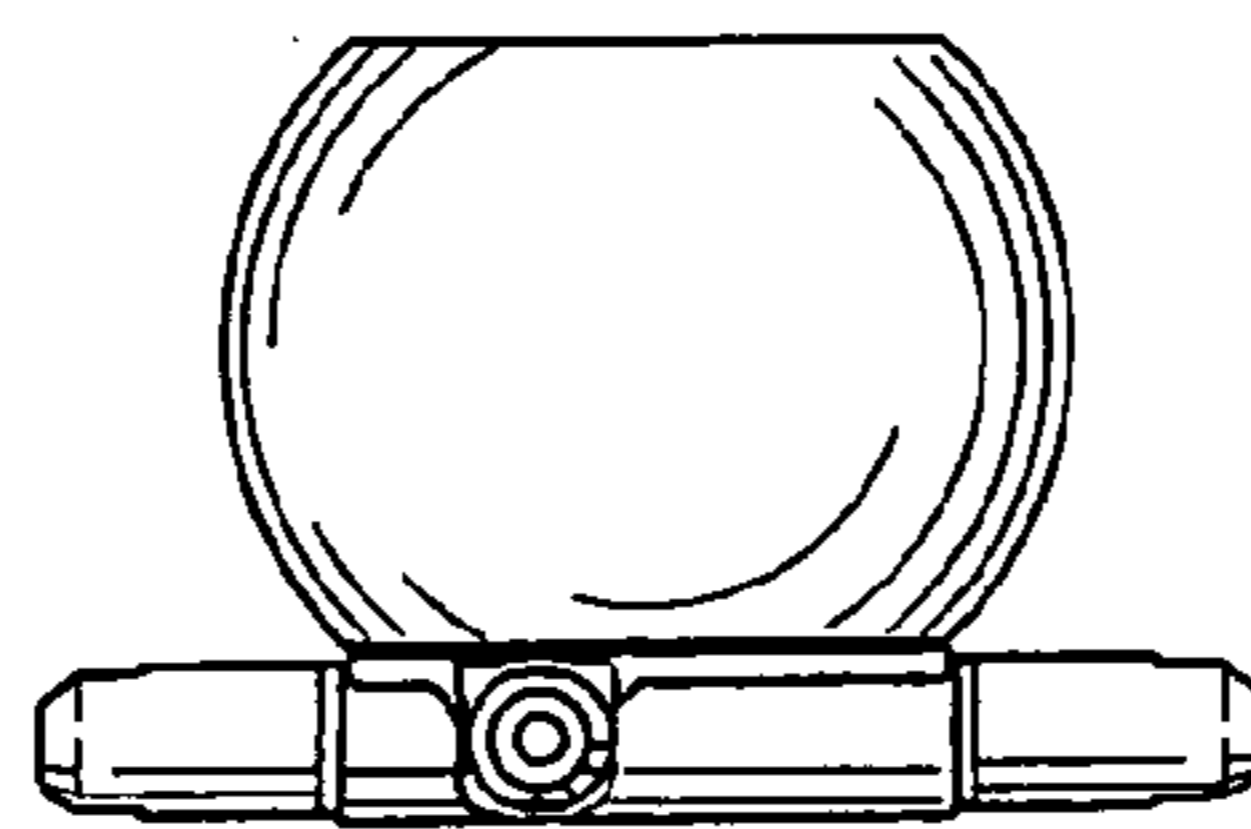


Fig. 5

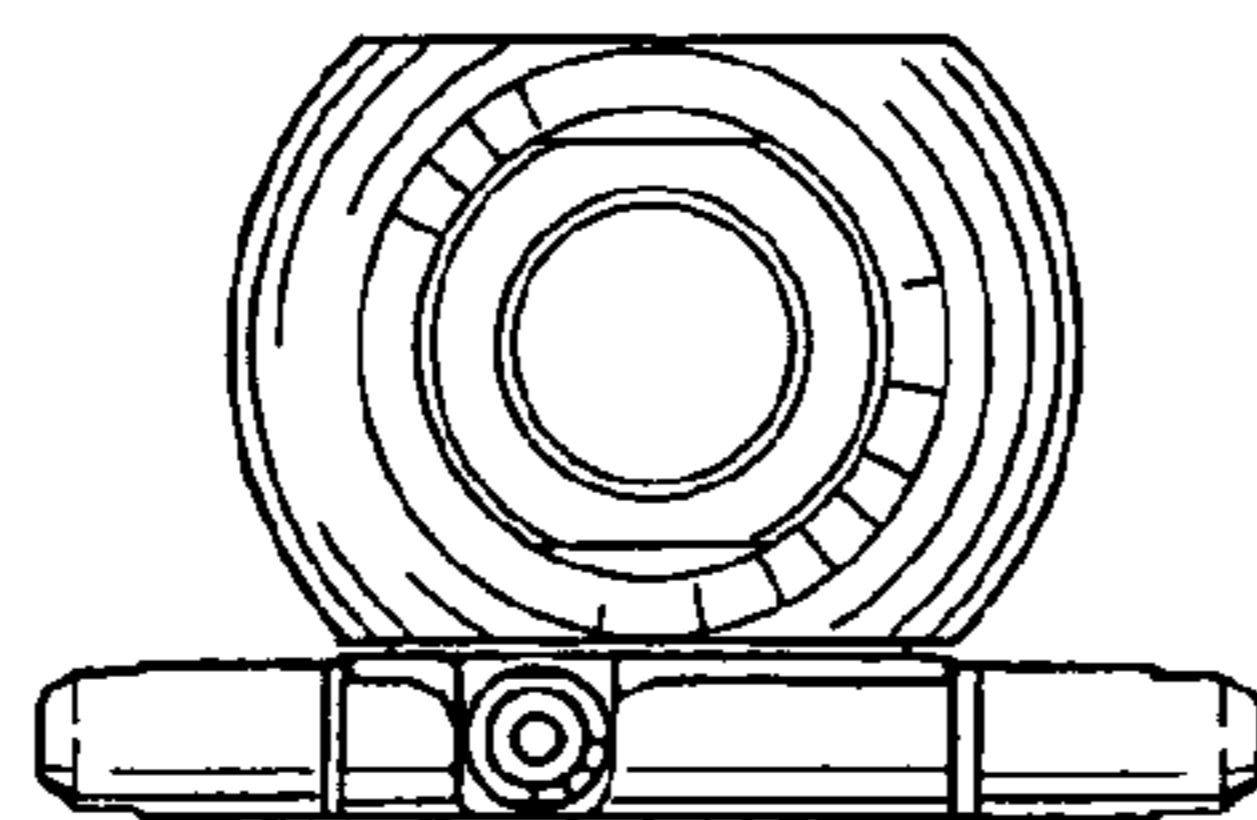


Fig. 6