



US00D566805S

(12) **United States Design Patent**
Earl

(10) **Patent No.:** **US D566,805 S**

(45) **Date of Patent:** **** Apr. 15, 2008**

(54) **PROJECTILE**

(76) **Inventor:** **Hugh Edward Earl**, 166 Archway
Road, London (GB) N6 5BB

(**) **Term:** **14 Years**

(21) **Appl. No.:** **29/271,631**

(22) **Filed:** **Jan. 24, 2007**

(30) **Foreign Application Priority Data**

Jul. 25, 2006 (EM) 000567714

(51) **LOC (8) Cl.** **22-01**

(52) **U.S. Cl.** **D22/115**

(58) **Field of Classification Search** D22/115,
D22/116; 102/501, 507, 503, 514; 463/2;
86/10, 11, 19.5, 54

See application file for complete search history.

(56) **References Cited**

U.S. PATENT DOCUMENTS

3,138,102 A * 6/1964 Meyer et al. 102/509
D232,725 S * 9/1974 Abbott D22/116

4,742,776 A * 5/1988 Scuto 102/509
D389,221 S * 1/1998 Borg D22/116
6,530,328 B2 * 3/2003 Burczynski et al. 102/507

* cited by examiner

Primary Examiner—Ian Simmons

Assistant Examiner—Melanie Levy

(74) *Attorney, Agent, or Firm*—Mattingly, Stanger, Malur &
Brundidge, P.C.

(57) **CLAIM**

The ornamental design for a projectile, as shown and
described.

DESCRIPTION

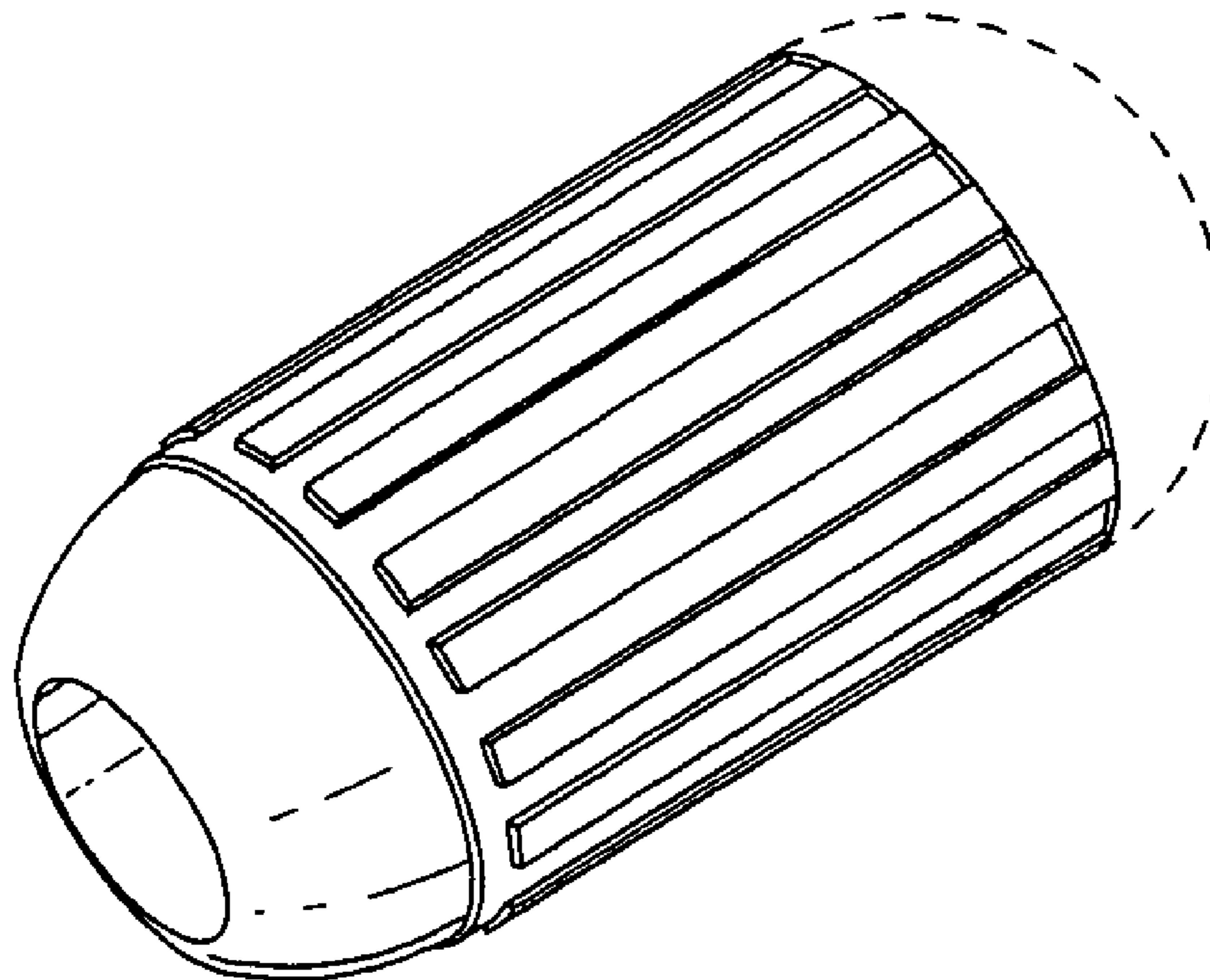
FIG. 1 is a front, elevational view of a projectile showing the
design;

FIG. 2 is a front, left side perspective view thereof; and,

FIG. 3 is a rear, right side perspective view thereof.

The broken line showing of the projectile is for the purpose
of illustrating the head of the projectile and forms no part of
the claimed design.

1 Claim, 1 Drawing Sheet



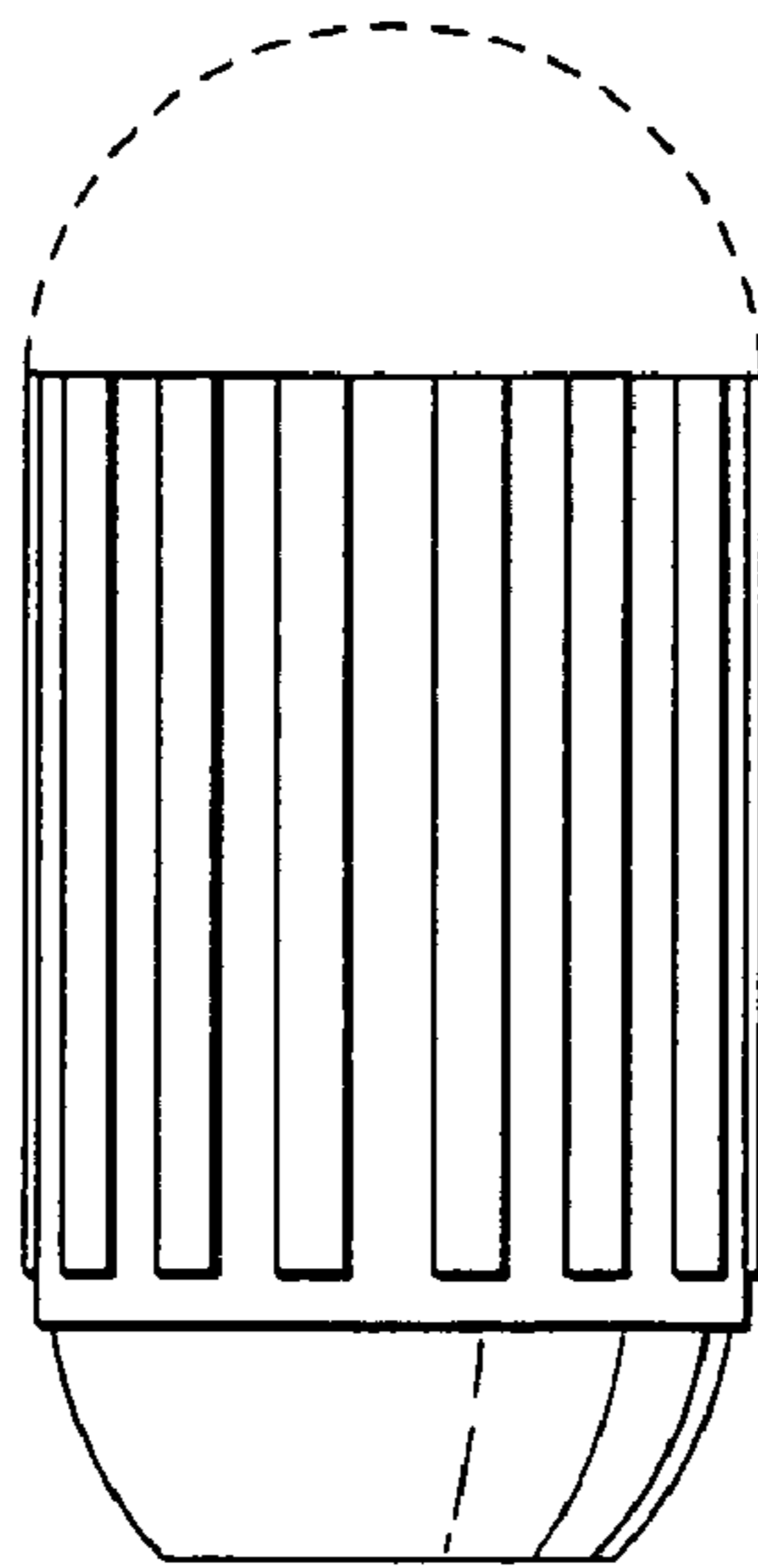


FIG. 1

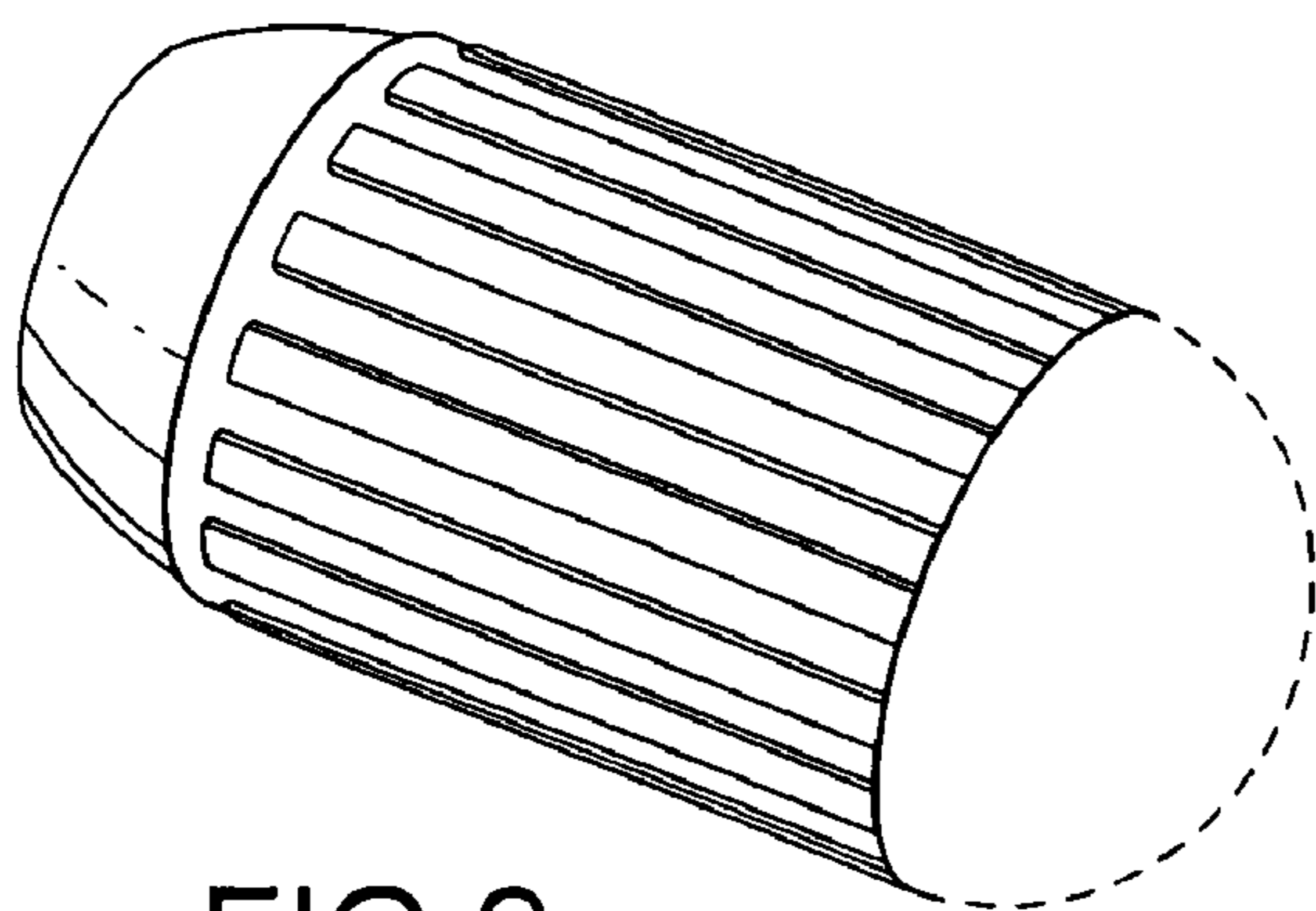


FIG. 2

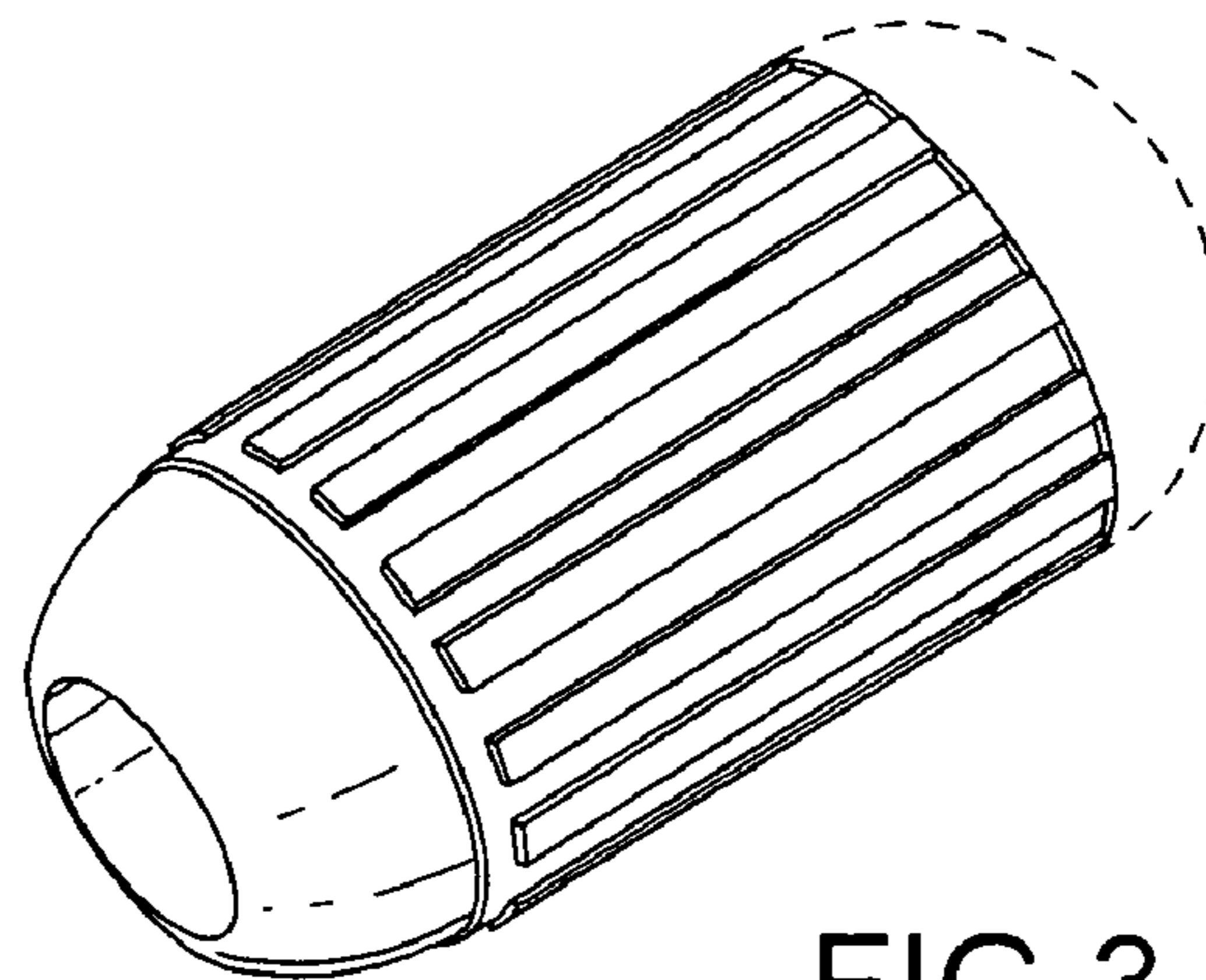


FIG. 3