



US00D566801S

(12) **United States Design Patent Grant**

(10) **Patent No.: US D566,801 S**

(45) **Date of Patent: ** Apr. 15, 2008**

(54) **BATTING TEE**

2007/0202966 A1* 8/2007 Lipidarov 473/387

(75) Inventor: **Eugene Grant**, Reno, NV (US)

FOREIGN PATENT DOCUMENTS

(73) Assignee: **Wilson Sporting Goods Co.**, Chicago, IL (US)

GB 2385794 A * 9/2003
GB 2386076 A * 9/2003

(**) Term: **14 Years**

* cited by examiner

(21) Appl. No.: **29/286,165**

Primary Examiner—Catherine Tuttle
(74) *Attorney, Agent, or Firm*—Terence P. O'Brien

(22) Filed: **Apr. 26, 2007**

(57) **CLAIM**

(51) **LOC (8) Cl.** **21-02**

I claim the ornamental design for a batting tee, as shown and described.

(52) **U.S. Cl.** **D21/717**

(58) **Field of Classification Search** D21/717–721,
D21/789–796; D4/127; 473/471, 418, 387–403
See application file for complete search history.

DESCRIPTION

(56) **References Cited**

U.S. PATENT DOCUMENTS

- D75,892 S * 7/1928 Albright D4/127
- 1,759,657 A * 5/1930 McLeod 473/399
- D181,633 S * 12/1957 de la Fariest D21/718
- 4,445,685 A * 5/1984 Cardieri 473/417
- 5,035,424 A * 7/1991 Liao 473/423
- D417,961 S * 12/1999 Powis, Jr. D4/127
- 6,413,175 B1 * 7/2002 Mooney, Jr. 473/417
- D491,619 S * 6/2004 Crouse D21/718
- 6,811,495 B2 * 11/2004 Penrose 473/284
- 2006/0100037 A1* 5/2006 Pels 473/387
- 2006/0264273 A1* 11/2006 Liao 473/417

FIG. 1 is a side perspective view of a batting tee showing my new design.

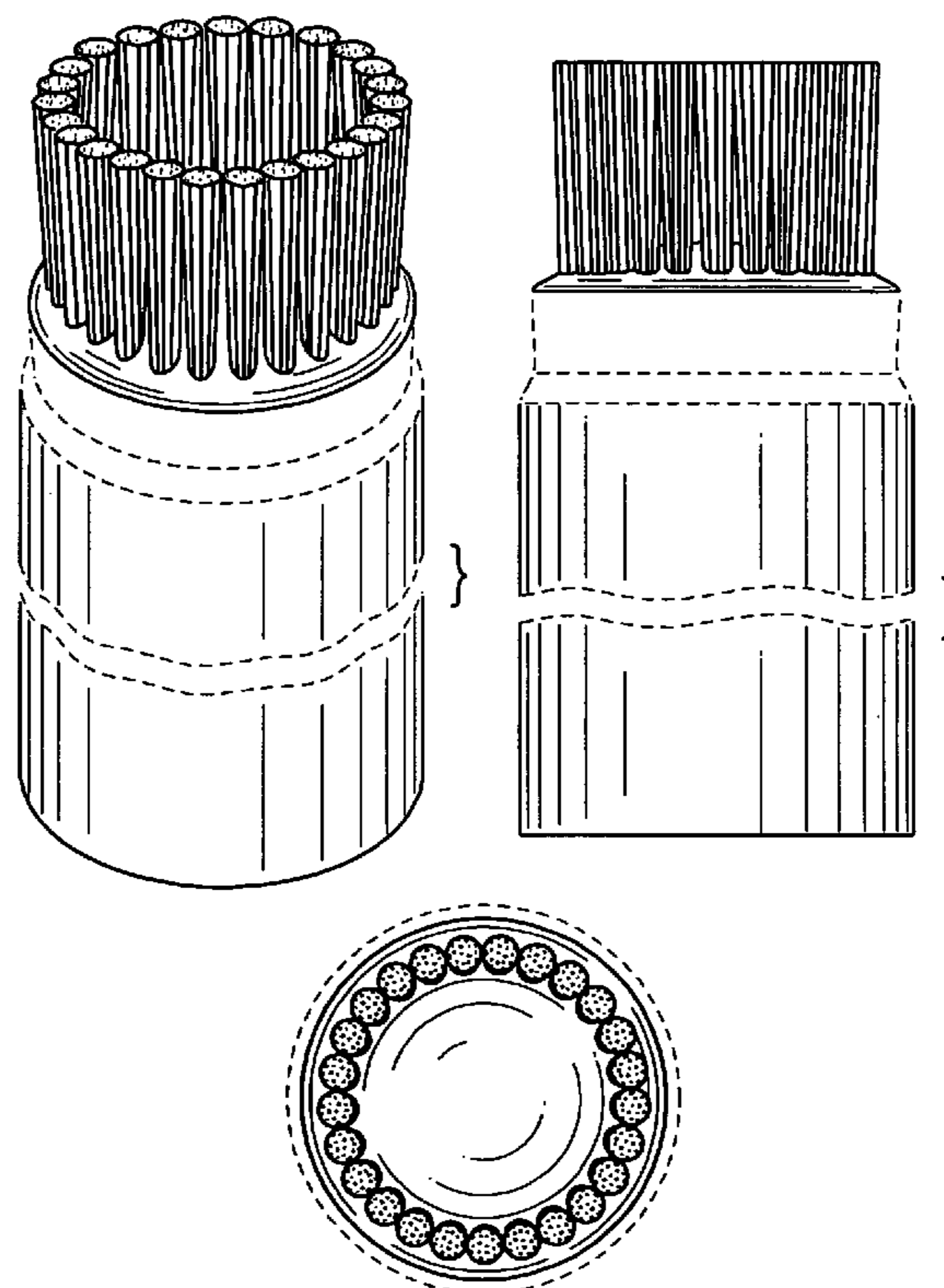
FIG. 2 is a side view of the portion of a batting tee of FIG. 1.

FIG. 3 is a top view of the portion of a batting tee of FIG. 1; and,

FIG. 4 is a bottom view of the portion of a batting tee of FIG. 1.

The ornamental design that is claimed is shown in solid lines in the drawings. The broken (dashed) lines shown in FIGS. 1 through 4 are included only for the purpose of illustrating environmental elements and break lines, and form no part of the claimed design.

1 Claim, 2 Drawing Sheets



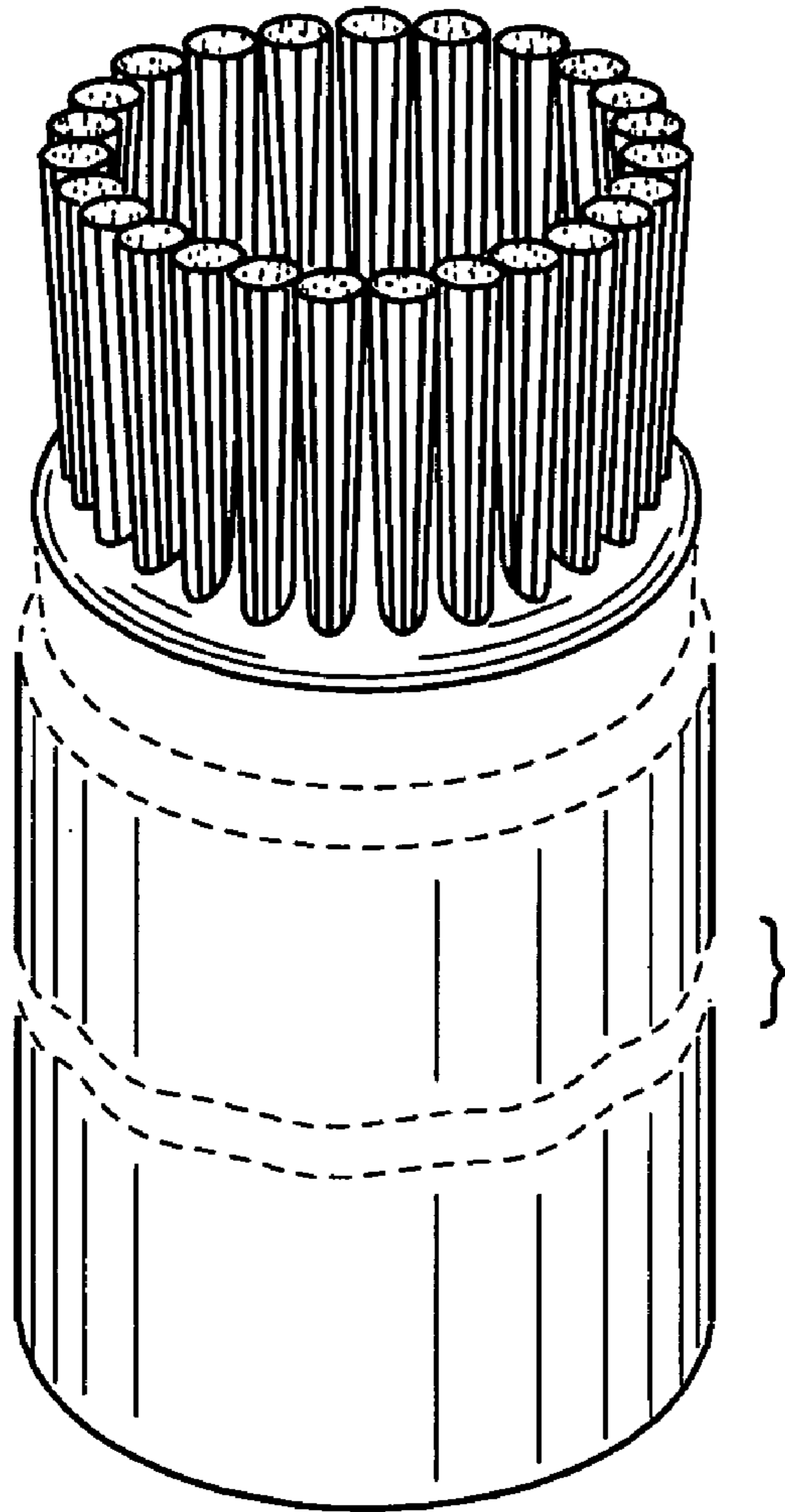


FIG. 1

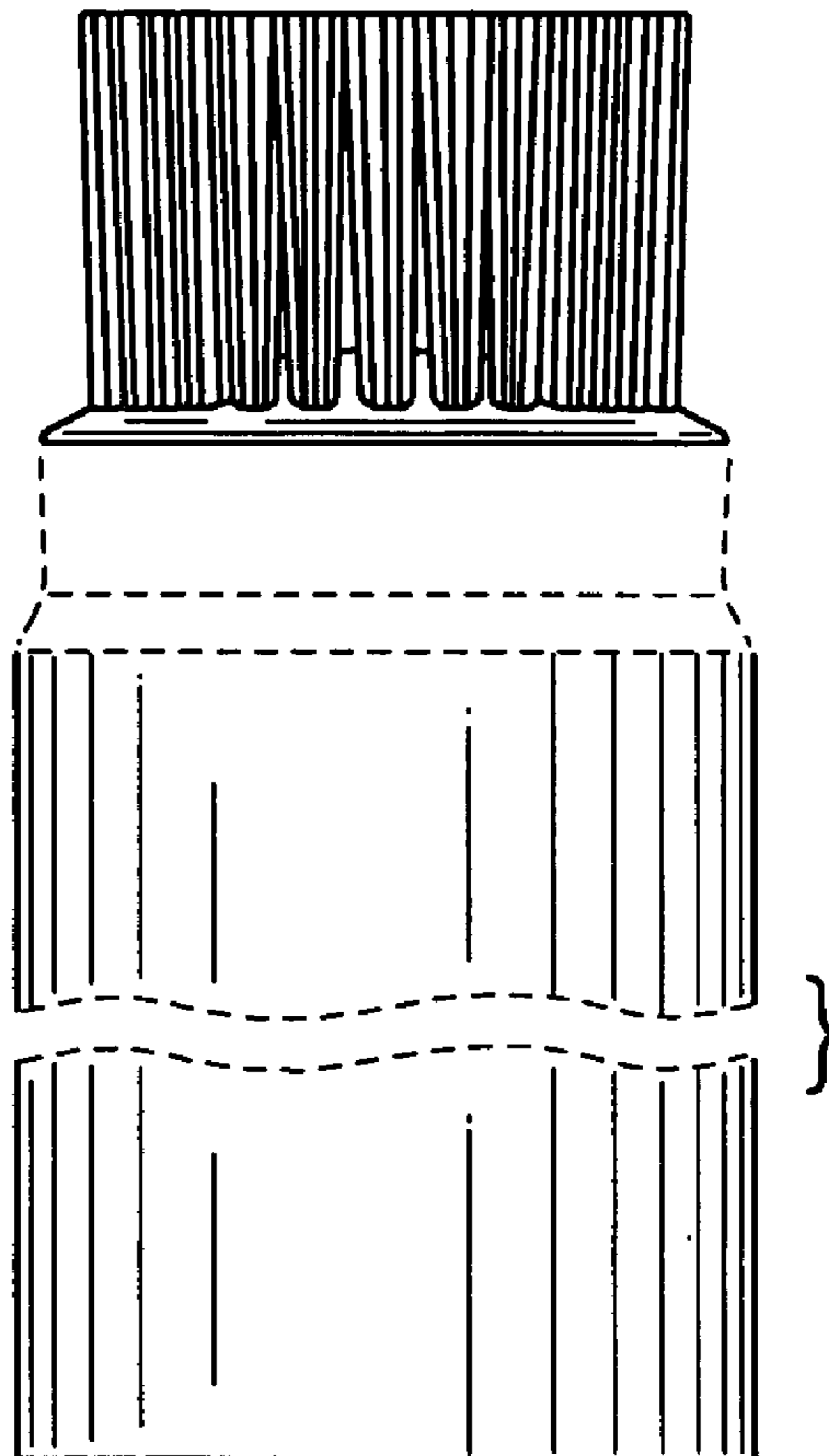


FIG. 2

FIG. 3

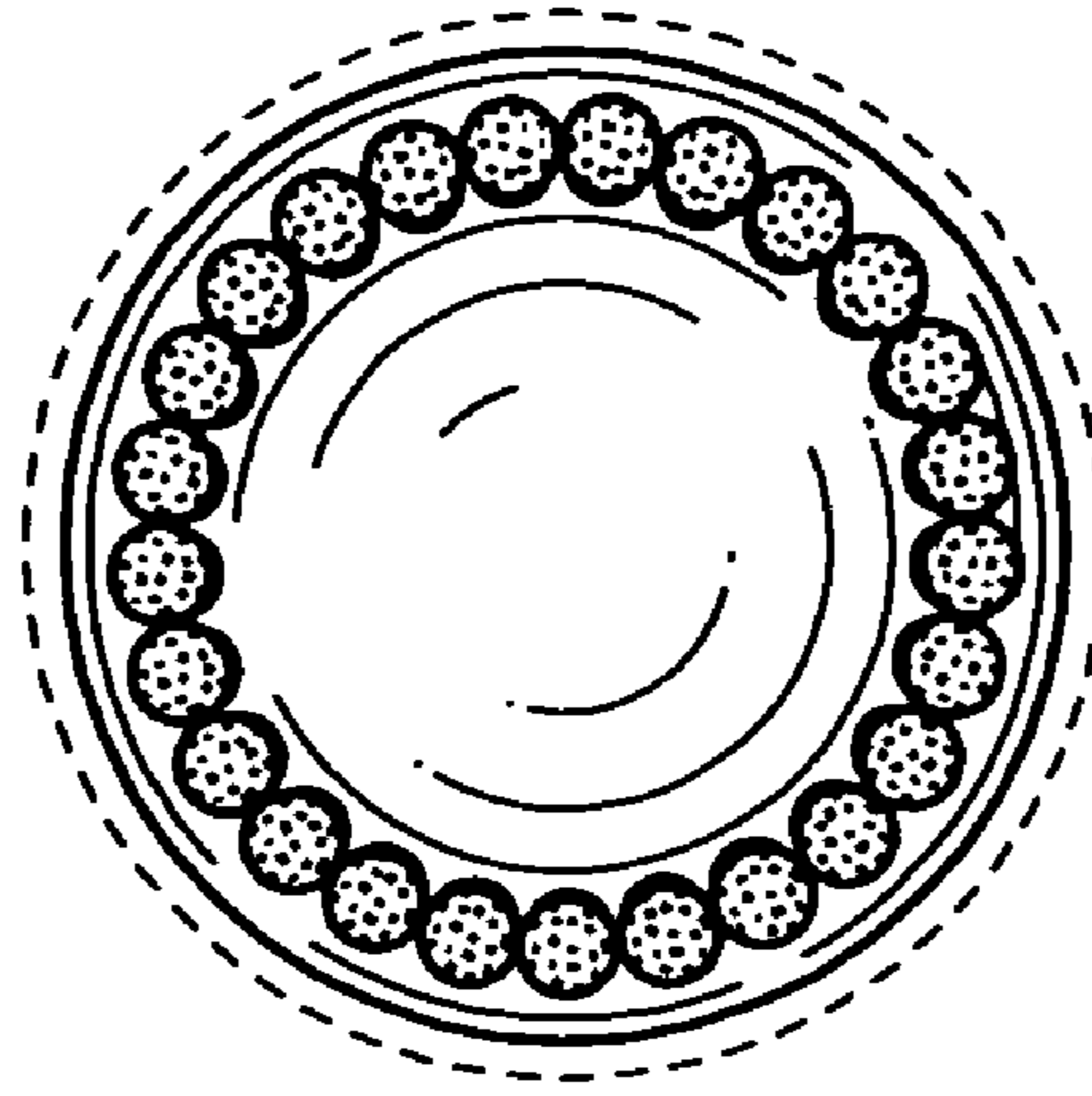


FIG. 4

