



US00D566800S

(12) **United States Design Patent**
St. Jules

(10) **Patent No.:** **US D566,800 S**

(45) **Date of Patent:** **** Apr. 15, 2008**

(54) **EXERCISE BALANCE BAR**

(76) **Inventor:** **Philip James Marc St. Jules**, 6325
Rennie Road, Courtenay, British
Columbia (CA) V9J 1T9

(**) **Term:** **14 Years**

(21) **Appl. No.:** **29/271,355**

(22) **Filed:** **Jan. 16, 2007**

(51) **LOC (8) Cl.** **21-02**

(52) **U.S. Cl.** **D21/691**

(58) **Field of Classification Search** D21/662,
D21/586, 691, 797; 482/23, 25, 37-38, 139
See application file for complete search history.

(56) **References Cited**

U.S. PATENT DOCUMENTS

187,477	A *	2/1877	Medart et al.	482/41
2,764,411	A	9/1956	Washburn, Jr.		
2,829,891	A	4/1958	Ludwig		
2,829,892	A	4/1958	Ludwig		
3,488,049	A	10/1965	Sasser, Jr.		
3,895,794	A	7/1975	England		
4,505,477	A	3/1985	Wilkinson		
4,601,469	A	7/1986	Sasser, Jr.		
4,607,840	A *	8/1986	Harper	482/109
D290,033	S *	5/1987	Policastro	D21/691
4,759,542	A	7/1988	Hudec		
D298,959	S *	12/1988	DeGalvez	D21/691
D299,502	S *	1/1989	Streiler	D21/690
D301,361	S *	5/1989	Harlan	D21/691
4,911,440	A	3/1990	Hyman et al.		
5,048,823	A	9/1991	Bean		
5,190,506	A	3/1993	Zubik et al.		
D354,781	S *	1/1995	Endelman	D21/694
D368,288	S *	3/1996	Kasbohm	D21/686

D371,586	S *	7/1996	Snyder	D21/691
D376,629	S	12/1996	Mounts et al.		
5,720,697	A *	2/1998	Winkel	482/41
D405,133	S *	2/1999	Morgan	D21/678
5,897,474	A	4/1999	Romero		
6,017,297	A	1/2000	Collins		
D480,772	S *	10/2003	Washington	D21/686
D487,124	S *	2/2004	Toniolo	D21/691
6,705,977	B1	3/2004	Ziak		
6,916,276	B1	7/2005	Robinson		
D517,136	S	3/2006	Chen		
2002/0177508	A1 *	11/2002	Eyman et al.	482/23
2005/0209054	A1 *	9/2005	Thomas Lebert	482/41
2006/0270523	A1 *	11/2006	Letteleir	482/23
2007/0010375	A1 *	1/2007	Corte	482/41

* cited by examiner

Primary Examiner—Philip S. Hyder

Assistant Examiner—RoseLynne (Ulm) Cody

(74) *Attorney, Agent, or Firm*—Todd N. Hathaway

(57) **CLAIM**

The ornamental design for an exercise balance bar, as shown and described.

DESCRIPTION

FIG. 1 is a perspective view of an exercise balance bar showing my new design;

FIG. 2 is a top plan thereof;

FIG. 3 is a right side elevational view thereof;

FIG. 4 is a first end elevational view thereof;

FIG. 5 is second end elevational view thereof;

FIG. 6 is a left side elevational view thereof; and,

FIG. 7 is bottom plan view thereof.

1 Claim, 2 Drawing Sheets

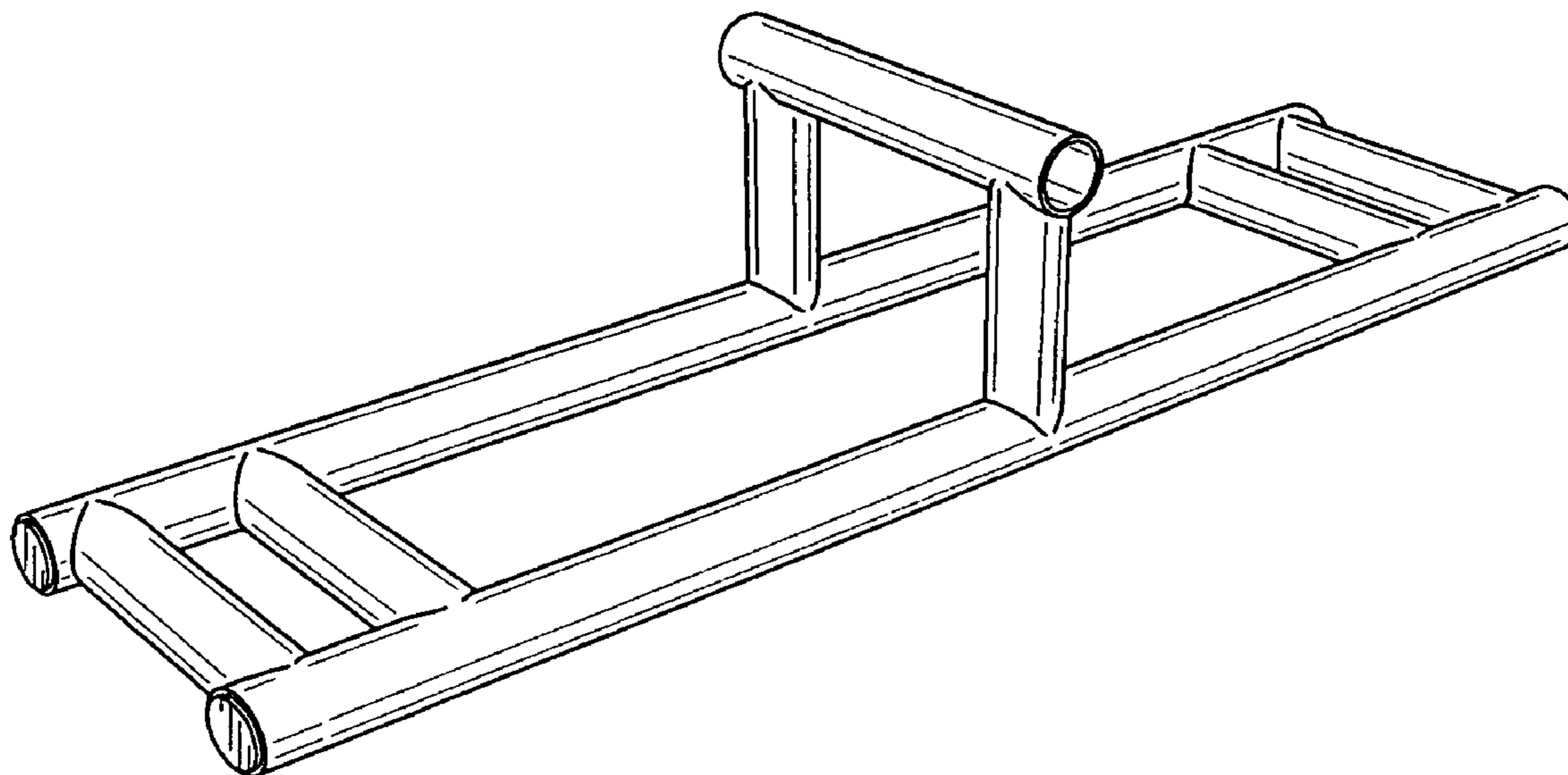


FIG. 1

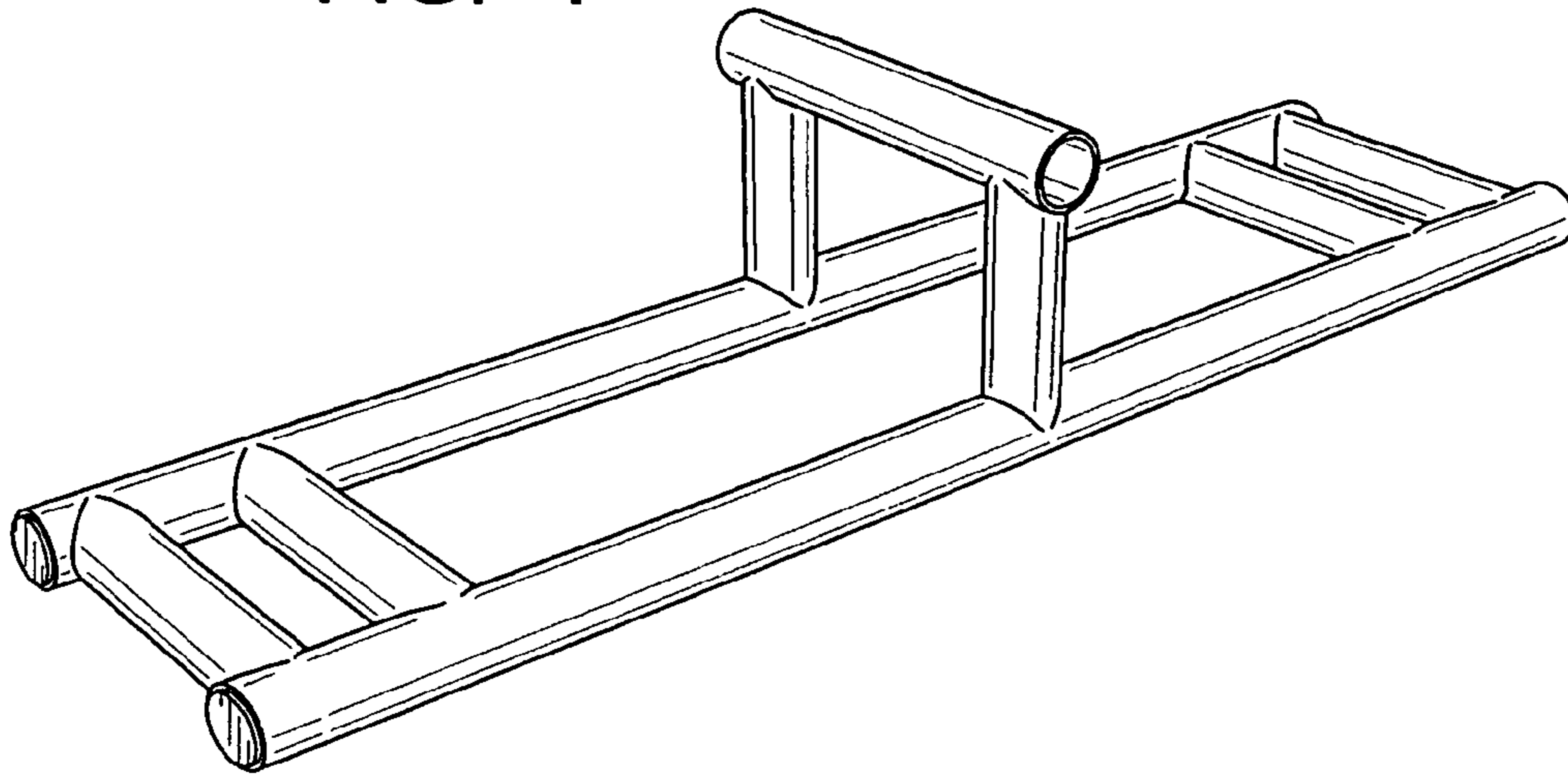


FIG. 2

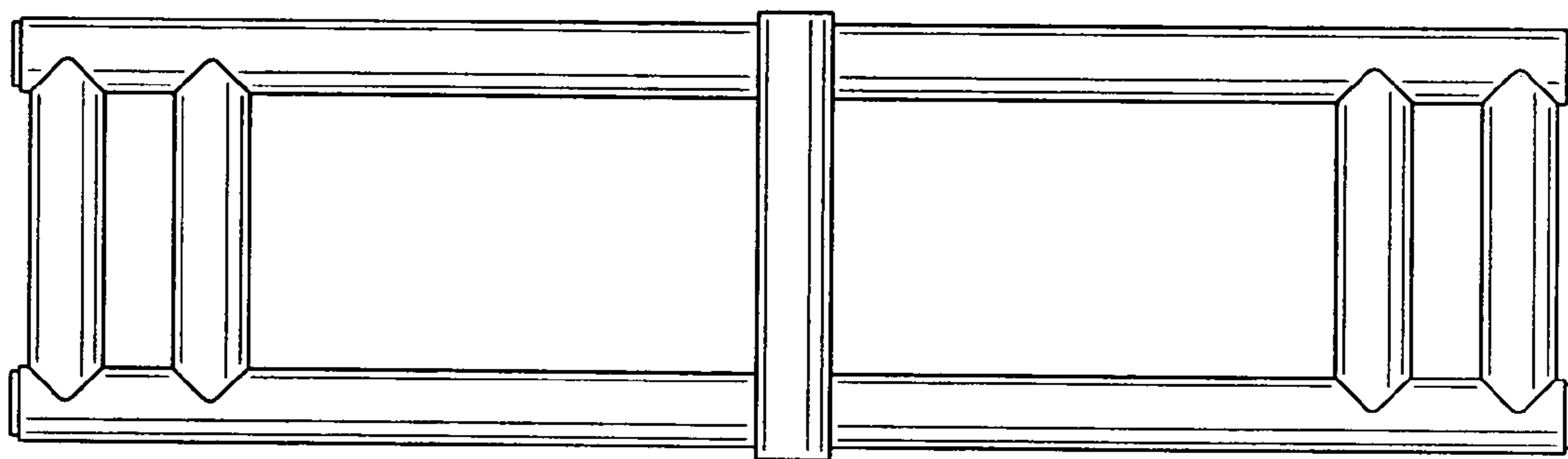


FIG. 3

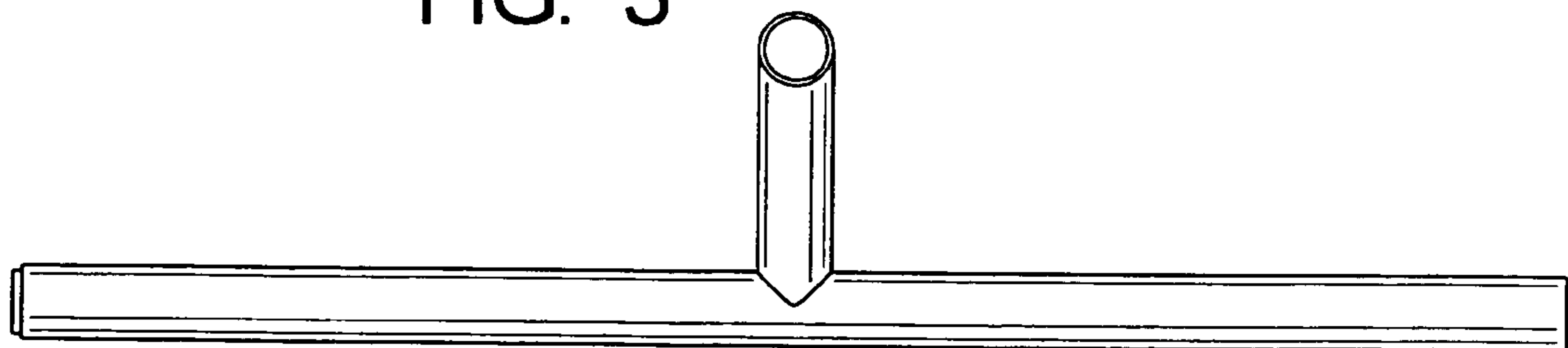


FIG. 4

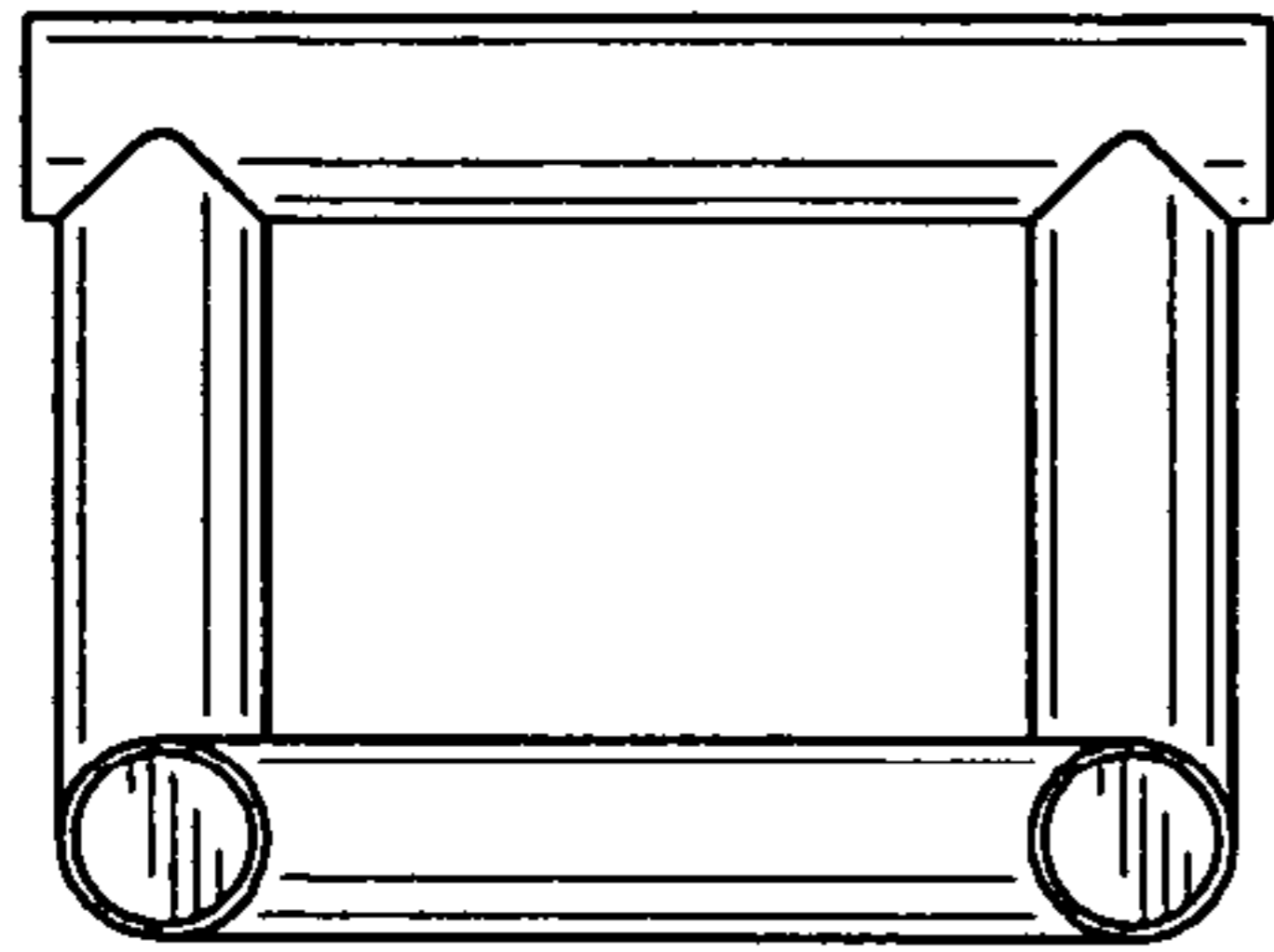


FIG. 5

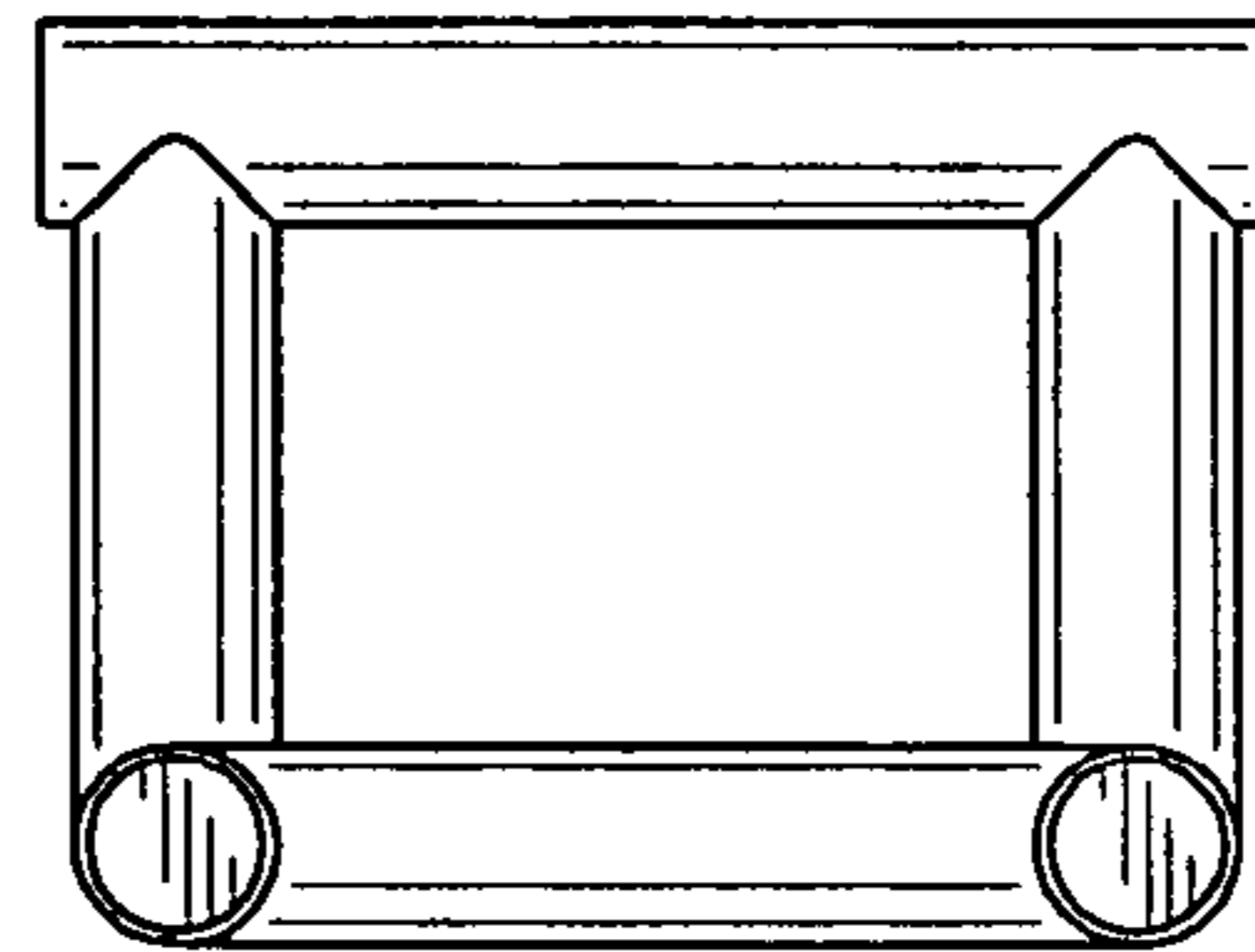


FIG. 6

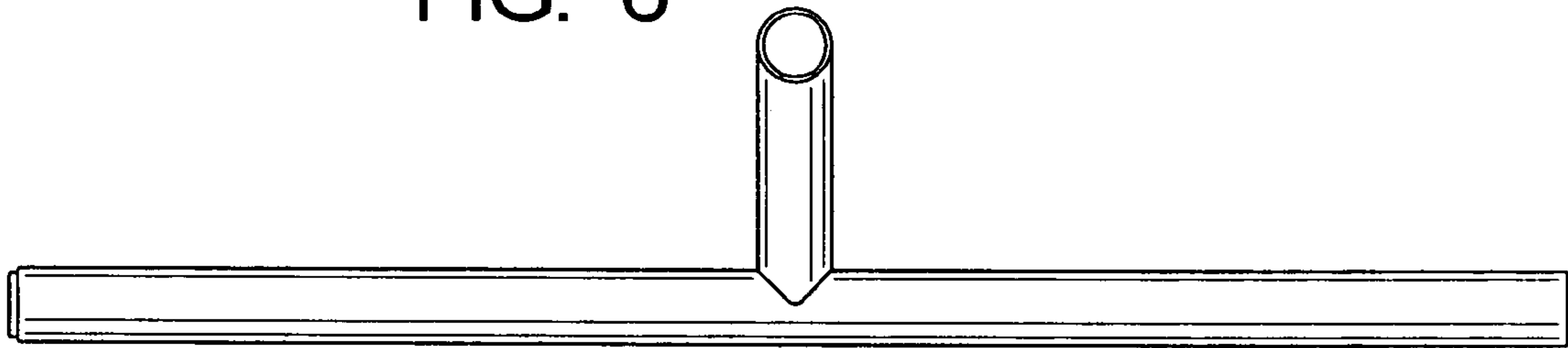


FIG. 7

