

US00D566798S

(12) **United States Design Patent**
Dibble et al.

(10) **Patent No.: US D566,798 S**
(45) **Date of Patent: ** *Apr. 15, 2008**

(54) **EXERCISE DEVICE**

4,793,608 A 12/1988 Mahnke et al.

(75) Inventors: **Ryan R. Dibble**, Denver, CO (US);
Patrick A. Warner, Boulder, CO (US);
Eric D. Golesh, Arvada, CO (US);
Brent Christopher, Denver, CO (US);
Edward L. Flick, Portland, OR (US)

(Continued)

FOREIGN PATENT DOCUMENTS

DE 198 01 672 A1 11/1998

(Continued)

(73) Assignee: **Nautilus, Inc.**, Vancouver, WA (US)

OTHER PUBLICATIONS

(**) Term: **14 Years**

“Cross Bow by Weider,” manual, ICON Health & Fitness, Inc., 22 pages (undated).

(21) Appl. No.: **29/247,399**

(Continued)

(22) Filed: **Jun. 15, 2006**

Primary Examiner—Philip S. Hyder

(74) *Attorney, Agent, or Firm*—Dorsey & Whitney LLP

Related U.S. Application Data

(62) Division of application No. 29/225,514, filed on Mar. 15, 2005.

(57) **CLAIM**

We claim the ornamental design for an exercise device, as shown and described.

(51) **LOC (8) Cl.** **21-02**

(52) **U.S. Cl.** **D21/676**

(58) **Field of Classification Search** D21/673,
D21/674, 676, 675, 662; 482/67, 68, 99,
482/100, 102, 103, 123, 133, 134, 138
See application file for complete search history.

DESCRIPTION

FIG. 1 is an isometric view of an exercise device.

FIG. 2 is a front elevation view of the exercise device of FIG. 1.

FIG. 3 is a right side elevation view of the exercise device of FIG. 1.

FIG. 4 is a rear elevation view of the exercise device of FIG. 1.

FIG. 5 is a left side elevation view of the exercise device of FIG. 1.

FIG. 6 is a top plan view of the exercise device of FIG. 1; and,

FIG. 7 is a bottom plan view of the exercise device of FIG. 1.

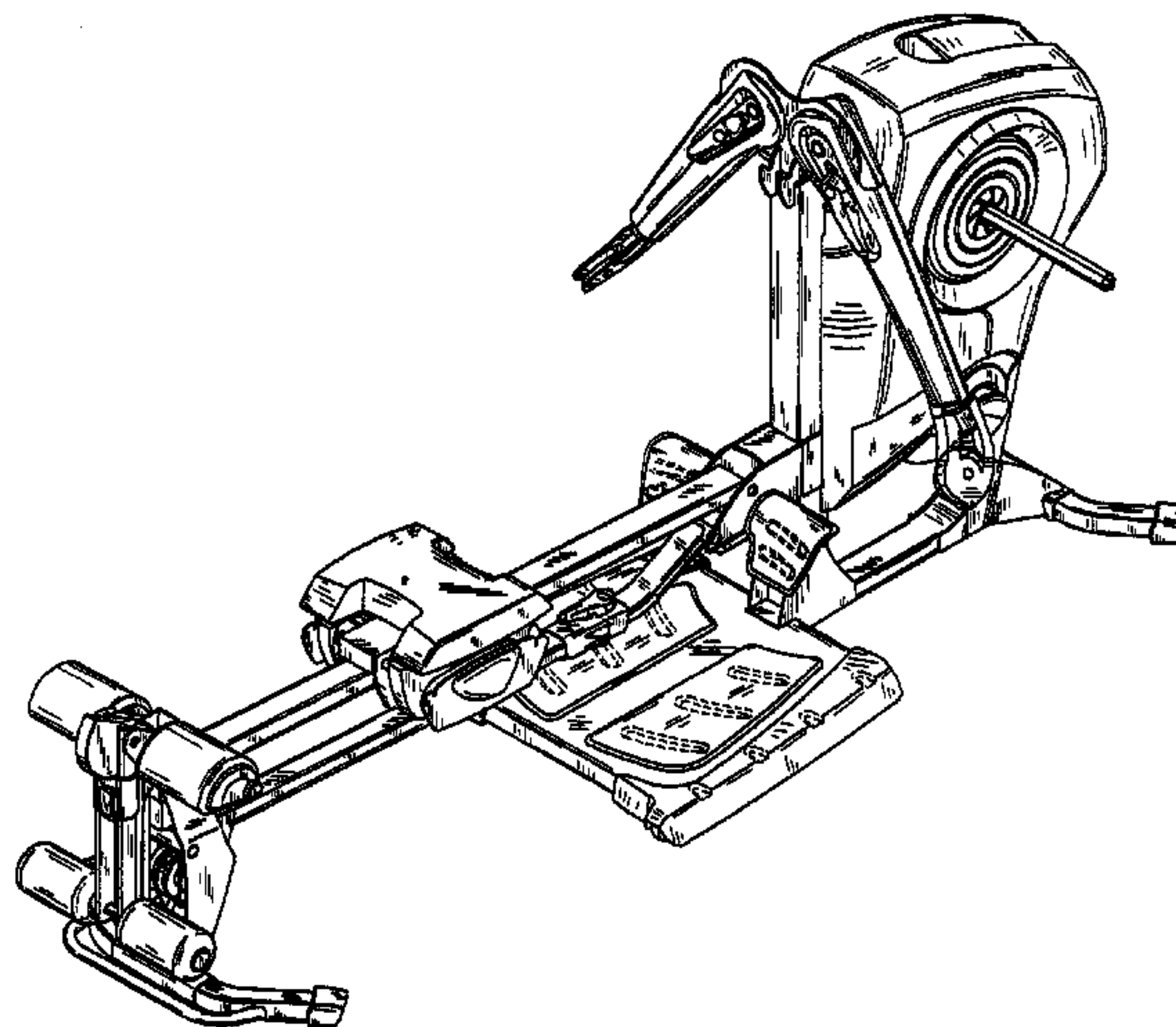
The broken lines are for illustrative purposes only and form no part of the claimed design.

(56) **References Cited**

U.S. PATENT DOCUMENTS

2,855,199 A	10/1958	Noland et al.
4,231,568 A	11/1980	Riley et al.
4,235,437 A	11/1980	Ruis et al.
4,290,597 A	9/1981	Schleffendorf
4,354,676 A	10/1982	Ariel
RE31,170 E	3/1983	Mazman
4,405,128 A	9/1983	McLaughlin et al.
4,603,855 A	8/1986	Sebelle
4,609,189 A	9/1986	Brasher
4,634,127 A	1/1987	Rockwell
4,648,594 A	3/1987	Schleffendorf
4,684,125 A	8/1987	Lantz
4,709,918 A	12/1987	Grinblat
4,709,920 A	12/1987	Schnell

1 Claim, 7 Drawing Sheets



US D566,798 S

U.S. PATENT DOCUMENTS

4,804,179 A 2/1989 Murphy et al.
 4,863,161 A 9/1989 Telle
 4,869,497 A 9/1989 Stewart et al.
 4,902,007 A 2/1990 Ferrari
 4,930,768 A 6/1990 Lapcevic
 4,944,511 A 7/1990 Francis
 4,982,955 A 1/1991 Heasley
 5,039,089 A 8/1991 Lapcevic
 5,080,351 A 1/1992 Rockwell
 5,090,694 A 2/1992 Pauls et al.
 5,147,265 A 9/1992 Pauls et al.
 5,209,461 A 5/1993 Whightsil, Sr.
 5,217,422 A 6/1993 Domzalski
 D337,666 S 7/1993 Peterson et al.
 5,226,867 A 7/1993 Beal
 D341,176 S 11/1993 Habing et al.
 5,308,303 A 5/1994 Rawls et al.
 5,308,304 A 5/1994 Habing
 5,312,315 A 5/1994 Mortensen et al.
 5,344,374 A 9/1994 Telle
 5,354,252 A 10/1994 Habing
 5,356,360 A 10/1994 Johns
 5,366,432 A 11/1994 Habing et al.
 5,382,212 A 1/1995 Davenport et al.
 5,387,170 A 2/1995 Rawls et al.
 D359,326 S * 6/1995 Deola D21/675
 5,437,589 A 8/1995 Habing
 5,554,086 A 9/1996 Habing et al.
 5,616,111 A * 4/1997 Randolph 482/133
 5,624,353 A 4/1997 Naidus
 D380,242 S * 6/1997 Wang et al. D21/676
 D384,117 S * 9/1997 Piaget et al. D21/676
 5,674,167 A 10/1997 Piaget et al.
 5,716,308 A 2/1998 Lee
 5,733,233 A 3/1998 Webber
 5,810,698 A * 9/1998 Hullett et al. 482/96
 5,813,951 A 9/1998 Einsig
 5,820,529 A 10/1998 Weintraub
 5,961,428 A 10/1999 Webber
 5,967,954 A 10/1999 Habing
 5,993,356 A 11/1999 Houston et al.
 6,056,678 A 5/2000 Giannelli et al.
 6,074,328 A 6/2000 Johnson
 6,126,580 A 10/2000 Francis et al.
 D439,941 S * 4/2001 Batca et al. D21/676
 6,238,323 B1 5/2001 Simonson
 D444,190 S * 6/2001 Webber D21/675
 6,264,586 B1 7/2001 Webber
 6,319,178 B1 11/2001 Webber
 D455,803 S 4/2002 Webber
 6,364,815 B1 4/2002 Lapcevic
 6,387,020 B1 5/2002 Simonson
 6,440,044 B1 8/2002 Francis et al.
 6,443,877 B1 9/2002 Hoecht et al.
 6,447,430 B1 9/2002 Webb et al.
 6,458,061 B2 10/2002 Simonson
 6,471,624 B1 10/2002 Voris
 6,488,612 B2 12/2002 Sechrest et al.
 6,517,468 B1 2/2003 Lapcevic
 6,575,881 B2 6/2003 Lapcevic
 6,626,805 B1 9/2003 Lightbody
 6,652,426 B2 * 11/2003 Carter et al. 482/100
 6,652,429 B2 11/2003 Bushnell
 6,685,607 B1 2/2004 Olson
 6,712,740 B2 3/2004 Simonson
 6,746,378 B2 6/2004 Morris et al.
 6,746,385 B1 6/2004 Habing
 6,770,017 B1 8/2004 Leipheimer
 6,817,968 B2 11/2004 Galbraith et al.
 D514,174 S * 1/2006 Germantown D21/676
 D533,910 S 12/2006 Dibble et al.

2002/0025890 A1 2/2002 Keiser
 2002/0077230 A1 6/2002 Lull et al.
 2003/0017918 A1 * 1/2003 Webb et al. 482/94
 2003/0027696 A1 2/2003 Baumier et al.
 2003/0032524 A1 2/2003 Lamar et al.
 2003/0032531 A1 2/2003 Simonson
 2003/0045406 A1 3/2003 Stone
 2003/0092540 A1 5/2003 Gillen
 2003/0092541 A1 5/2003 Giannelli
 2003/0100413 A1 5/2003 Huang
 2003/0114281 A1 * 6/2003 Mackert et al. 482/123
 2003/0176261 A1 9/2003 Simonson et al.
 2003/0232707 A1 * 12/2003 Dalebout et al. 482/123
 2004/0002409 A1 1/2004 Webb et al.
 2004/0023762 A1 2/2004 Lull et al.
 2004/0063551 A1 4/2004 Lightbody
 2004/0209748 A1 10/2004 Haneckow
 2005/0049121 A1 3/2005 Dalebout et al.
 2005/0124470 A1 6/2005 Schopf
 2005/0143230 A1 * 6/2005 Dalebout et al. 482/121
 2006/0100069 A1 * 5/2006 Dibble et al. 482/98
 2006/0116249 A1 * 6/2006 Dibble et al. 482/72

FOREIGN PATENT DOCUMENTS

FR	2627090	8/1989
SU	1743620	6/1992
WO	WO 01/19462 A1	3/2001
WO	WO 01/66195 A2	9/2001

OTHER PUBLICATIONS

“Cross Bow by Weider How Does the Crossbow Stack up Against the Competition”, ICON Health and Fitness located at http://www.iconfitness.com/crossbow/cb_vs_bf.html, 2 pages (retrieved Oct. 22, 2002).

Cybox World, “New Products Prove Passion for Human Performance,” vol. 10, Issue 2 (Jul. 2000).

“Nautilus Home Health & Fitness Catalog,” Nautilus, Inc., pp. 1-56 (2004).

Schwinn Iron Classic Strength Training System by Bowflex® Owner’s Manual, 55 pages (1993).

“Stamina LT-2000 Band Flex Gym”, Stamina Products, Inc., located at Egghead.com, 3 pages (at least as early as Mar. 9, 2001).

Nautilus® Home Gyms 2001 brochure, 11 pages (2001).

Nautilus catalog, 92 pages (undated).

Office Action and Notice of References Cited, U.S. Appl. No. 09/805,067, mailed Aug. 12, 2003, 4 pgs.

Amendment, U.S. App. No. 09/805,067, dated Feb. 9, 2004, 10 pgs.

Notice of Allowance and Fee(s) Due, Notice of Allowability, U.S. Appl. No. 09/805,067, mailed Mar. 5, 2004, 2 pgs.

Notice of Allowance and Fee(s) Due, Notice of Allowability, U.S. Appl. No. 09/805,067, mailed Nov. 2, 2005, 2 pgs.

Notice of Allowance and Fee(s) Due, Notice of Allowability, U.S. Appl. No. 09/805,067, mailed Jun. 16, 2006, 2 pgs.

Notice of Allowance and Fee(s) Due, Notice of Allowability, U.S. Appl. No. 09/805,067, mailed Oct. 11, 2006, 2 pgs.

Office Action, U.S. Appl. No. 29/225,514, mailed Mar. 17, 2006, 5 pgs.

Amendment and Response to Office Action, annotated drawing sheets 1/7 and 7/7, new drawing sheets 2/7 through 6/7, and replacement drawing sheets 1/7 through 7/7, U.S. Appl. No. 29/225,514, dated Jun. 16, 2006, 19 pgs.

Notice of Allowance and Fee(s) Due, Notice of Allowability, Examiner’s Amendment, and Notice of References Cited, U.S. Appl. No. 29/225,514, mailed Jul. 31, 2006, 5 pgs.

Office Action and Notice of References Cited, U.S. Appl. No. 29/247,398, mailed Sep. 1, 2006, 6 pgs.

Amendment and Response to Office Action, U.S. Appl. No. 29/247,398, dated Oct. 31, 2006, 4 pgs.

Notice of Allowance and Fee(s) Due, Notice of Allowability for Design Application, Examiner’s Amendment, U.S. Appl. No. 29/247,398, dated Nov. 24, 2006, 3 pgs.

US D566,798 S

Page 3

Preliminary Amendment, U.S. Appl. No. 09/802,835, dated Apr. 24, 2001, 8 pgs.

Office Action and Notice of References Cited, U.S. Appl. No. 09/802,835, mailed Aug. 6, 2003, 6 pgs.

Amendment and Response to Office Action, U.S. Appl. No. 09/802,835, dated Jan. 28, 2004, 14 pgs.

Notice of Allowance and Notice of References Cited, U.S. Appl. No. 09/802,835, mailed Mar. 17, 2004, 6 pgs.

Office Action, U.S. Appl. No. 09/802,835, mailed Oct. 26, 2004, 4 pgs.

Amendment and Response to Office Action, U.S. Appl. No. 09/802,835, dated Apr. 5, 2005, 12 pgs.

Office Action and Notice of References Cited, U.S. Appl. No. 09/802,835, mailed Jul. 8, 2005, 5 pgs.

Amendment and Response to Office Action, U.S. Appl. No. 09/802,835, dated Nov. 8, 2005, 12 pgs.

Office Action, U.S. Appl. No. 09/802,835, mailed Mar. 7, 2006, 5 pgs.

Amendment and Response to Office Action, U.S. Appl. No. 09/802,835, dated Jul. 7, 2006, 5 pgs.

Notice of Allowance and Fee(s) Due, Notice of Allowability, Examiner's Comments, U.S. Appl. No. 09/802,835, mailed Sep. 19 2006, 3 pgs.

Office Action and Notice of References Cited, U.S. Appl. No. 09/802,835, mailed Apr. 5, 2007, 5 pgs.

* cited by examiner

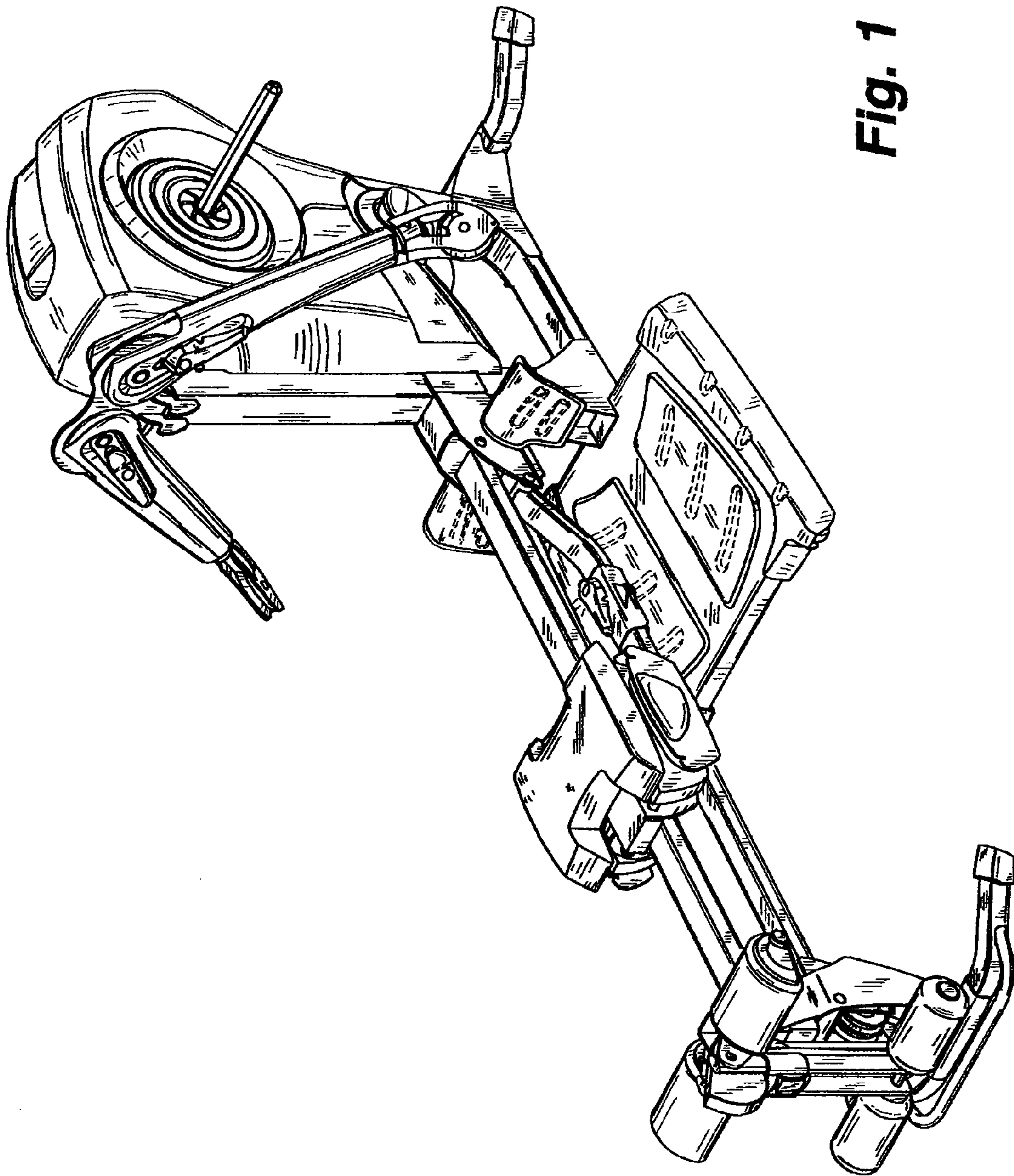


Fig. 1

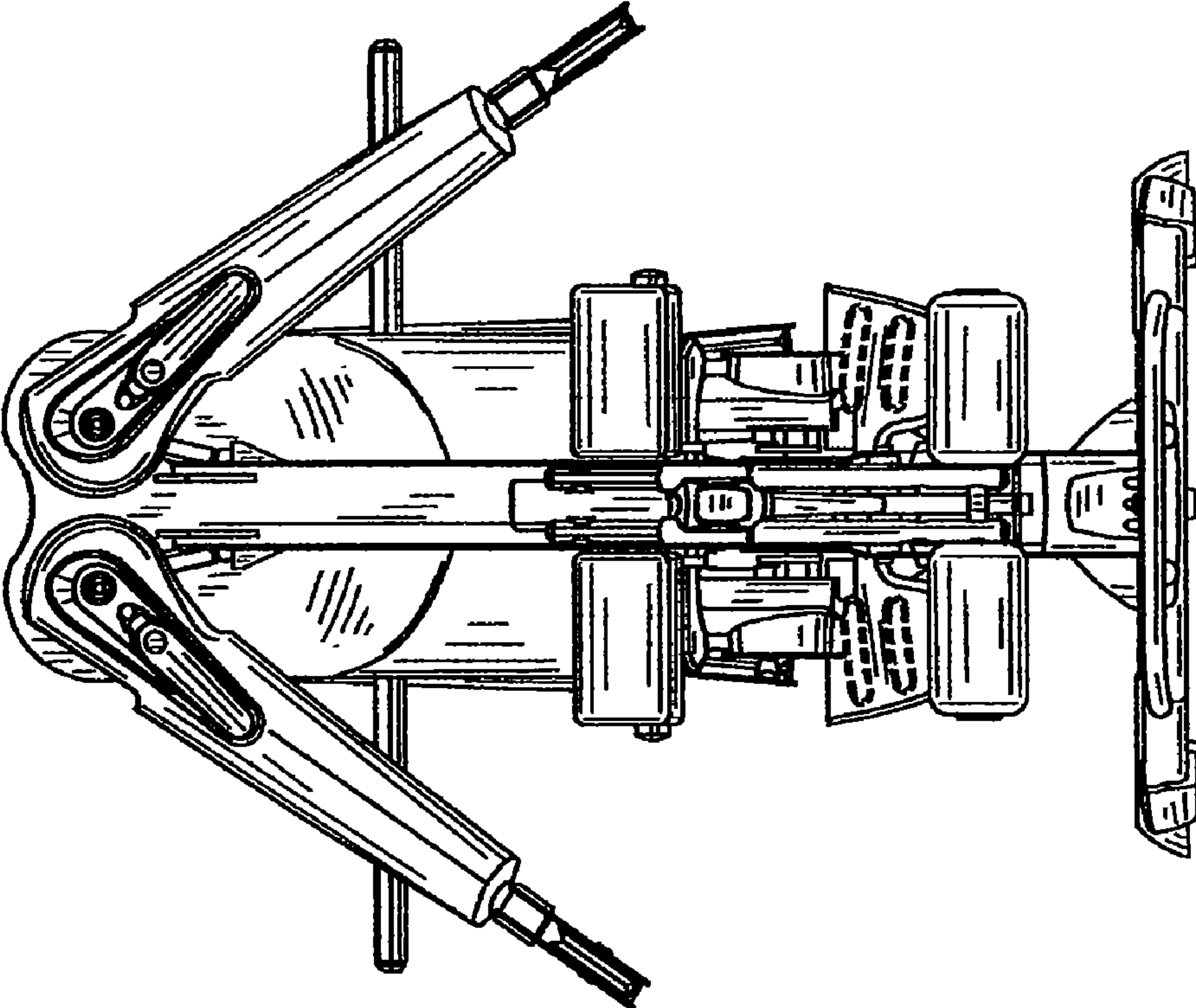


Fig. 2

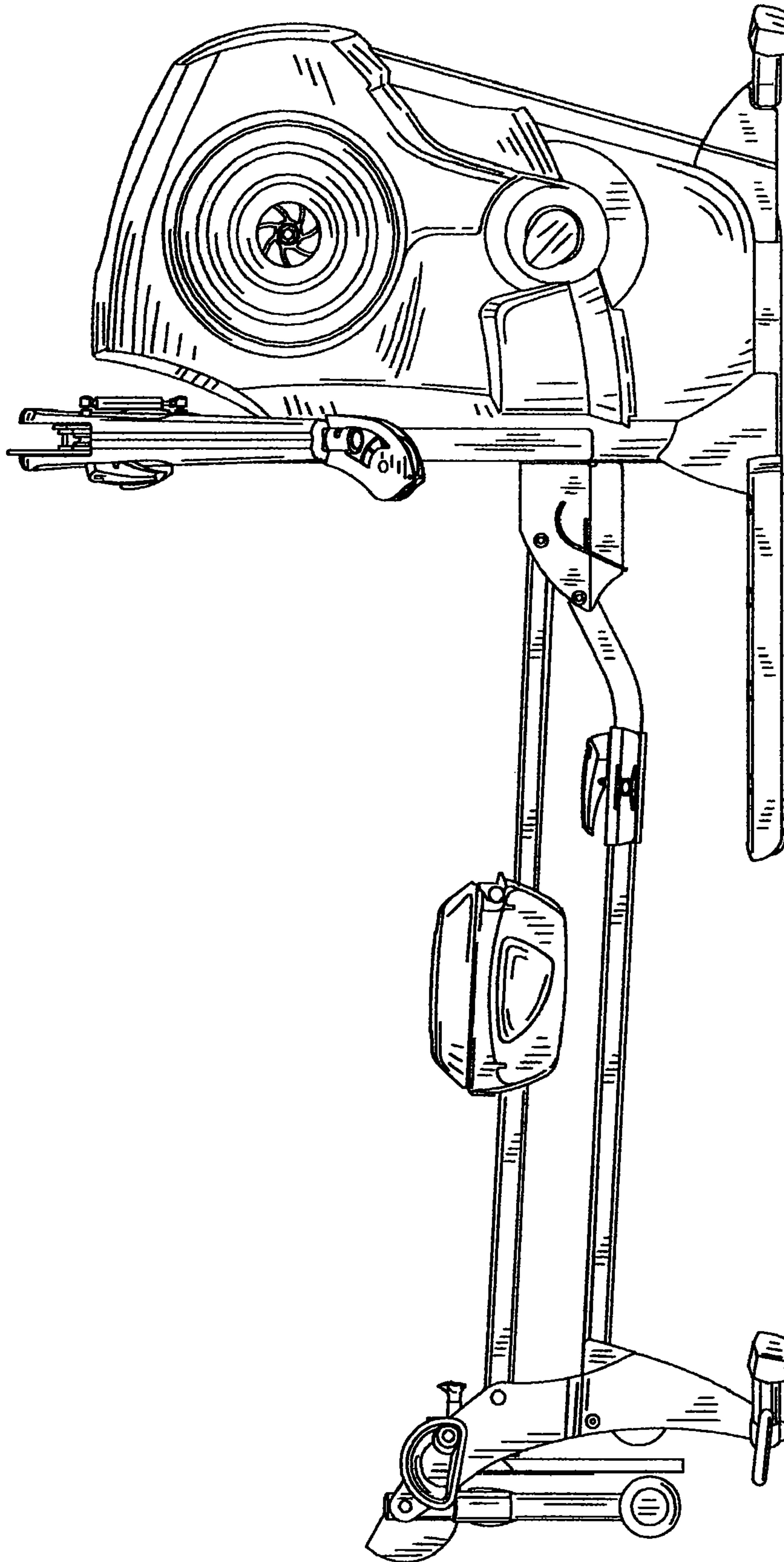


Fig. 3

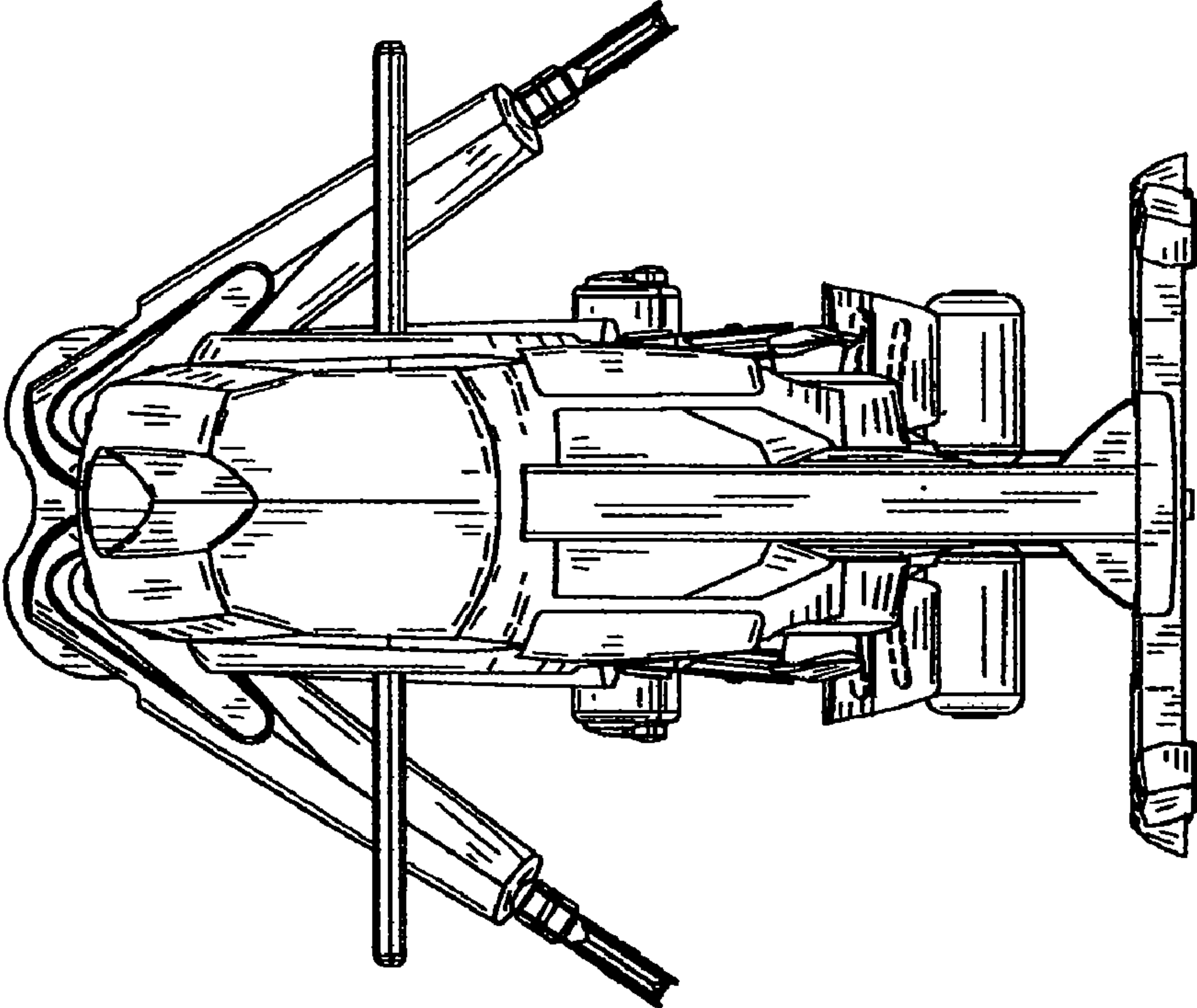


Fig. 4

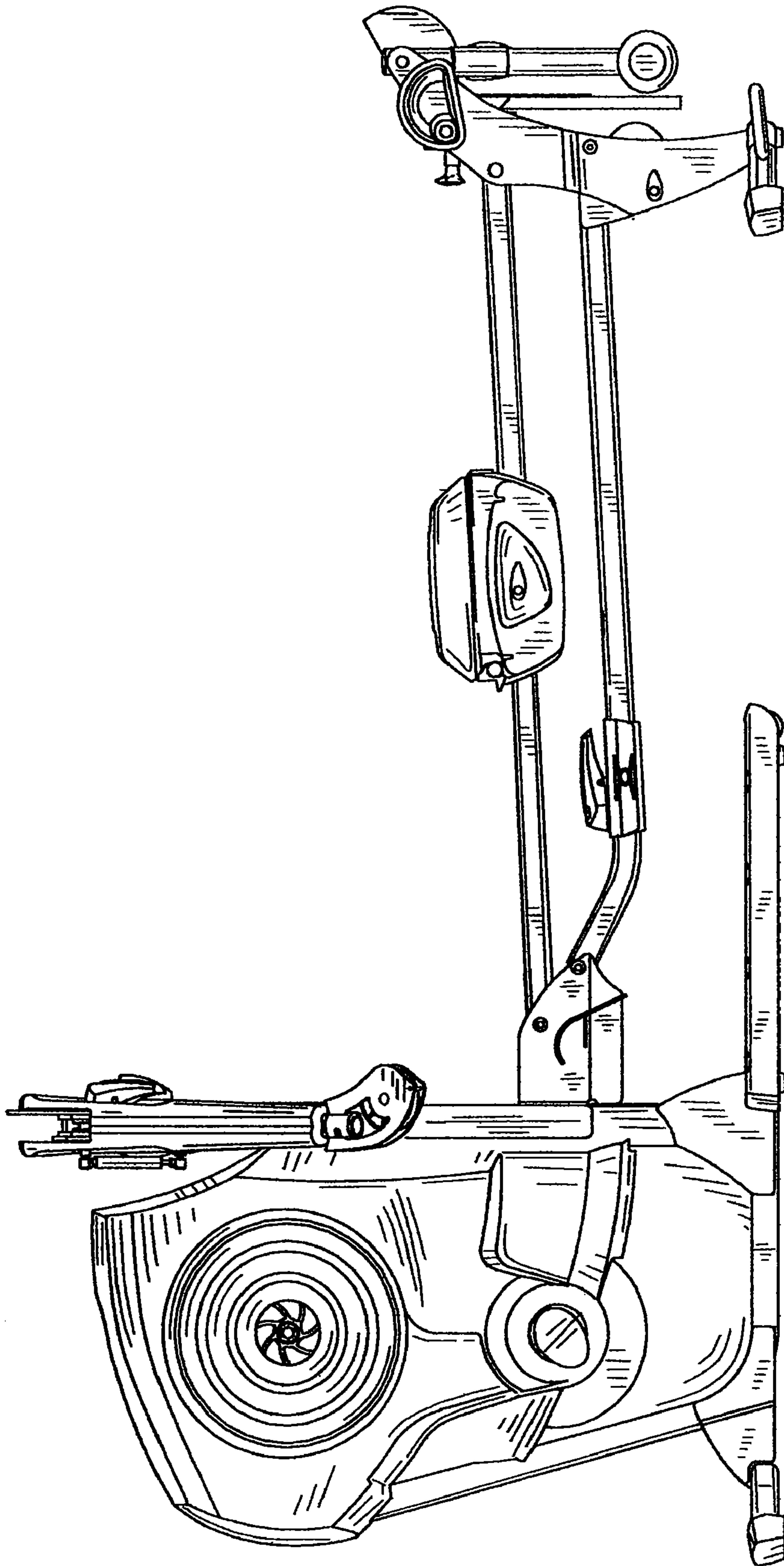


Fig. 5

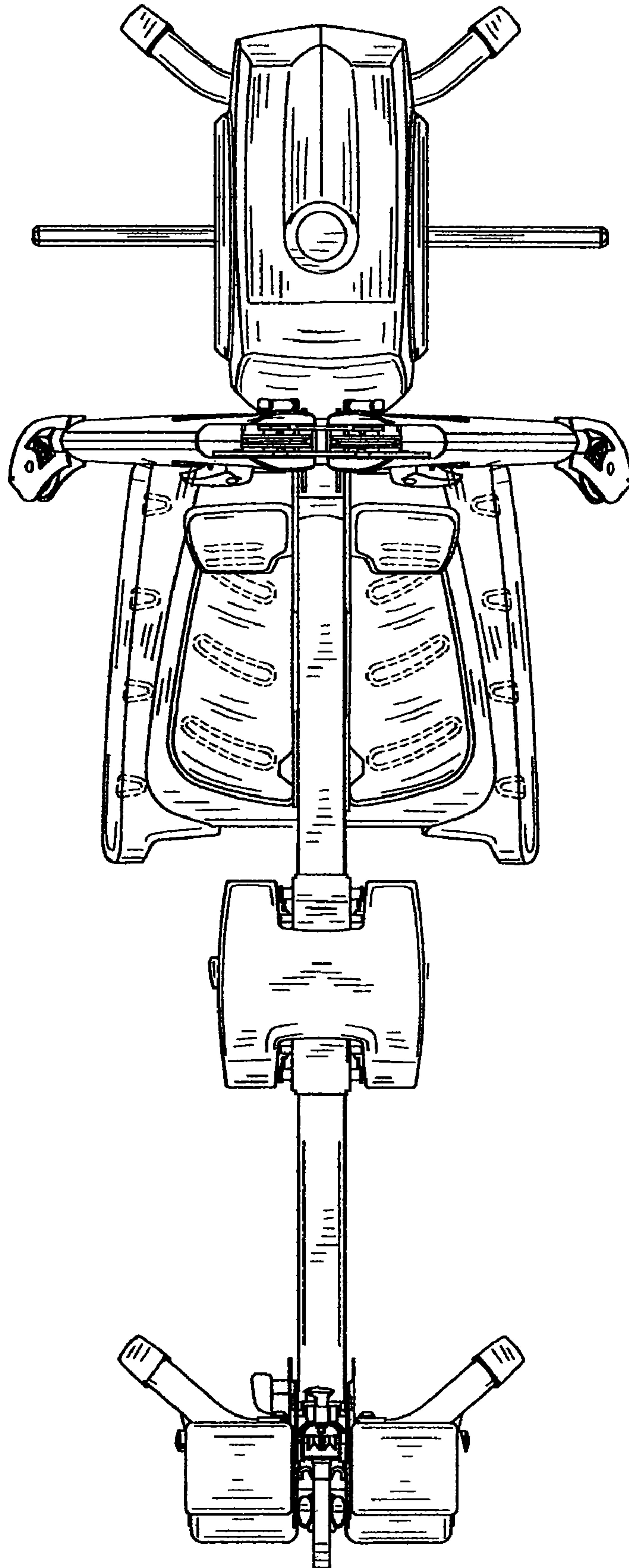


Fig. 6

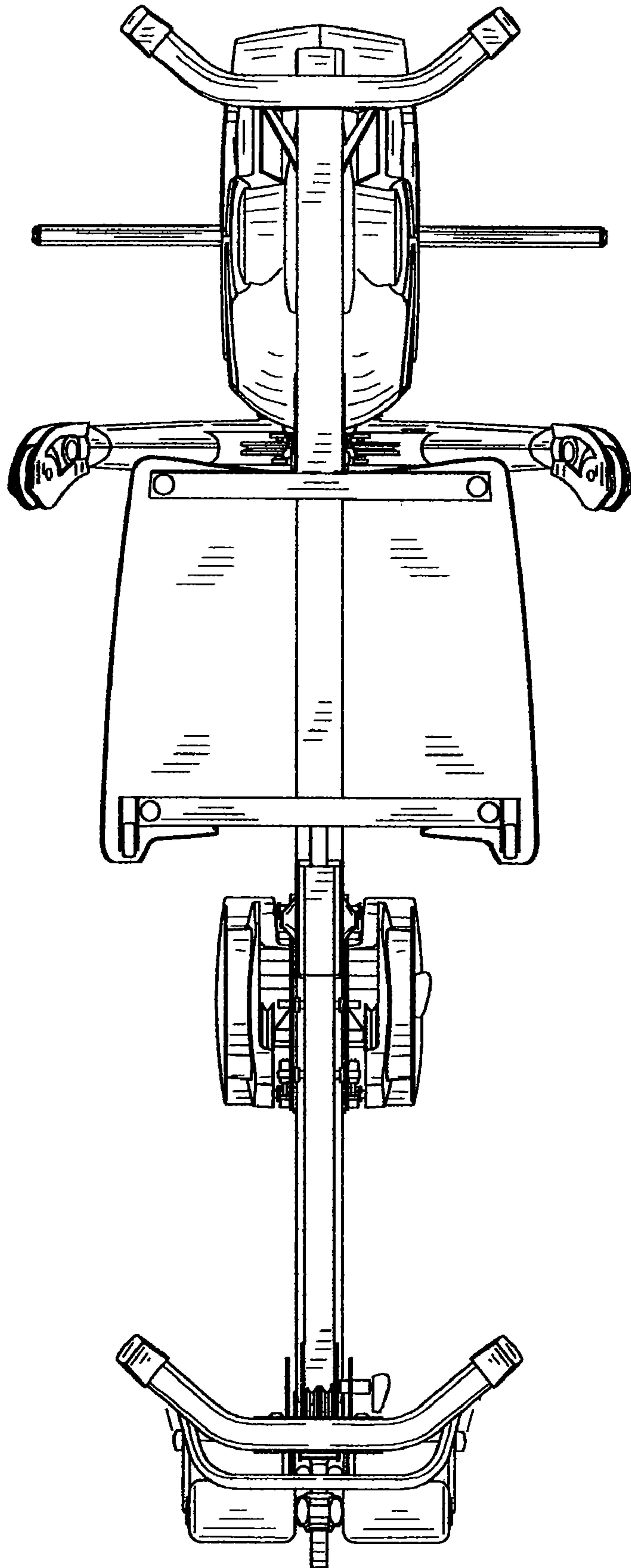


Fig. 7