



US00D566795S

(12) **United States Design Patent**
Judkins et al.

(10) **Patent No.:** **US D566,795 S**
(45) **Date of Patent:** **** Apr. 15, 2008**

(54) **ROBOTIC DOG**

(75) Inventors: **Daniel Judkins**, Boston, MA (US);
Ceileidh Siegel, Narragansett, RI (US)

(73) Assignee: **Hasbro, Inc.**, Pawtucket, RI (US)

(**) Term: **14 Years**

(21) Appl. No.: **29/284,572**

(22) Filed: **Sep. 11, 2007**

(51) **LOC (8) Cl.** **21-01**

(52) **U.S. Cl.** **D21/611; D21/578**

(58) **Field of Classification Search** D21/576–592,
D21/611–613; D11/158; D30/160; 446/72–73,
446/97–98, 268–269, 369; D14/496
See application file for complete search history.

(56) **References Cited**

U.S. PATENT DOCUMENTS

D448,433 S	9/2001	Ueda et al.	
D452,889 S	1/2002	Kawakita et al.	
D454,378 S	3/2002	Hornsby et al.	
D457,203 S	5/2002	Onishi et al.	
D465,248 S *	11/2002	Ito et al.	D21/578
D467,983 S	12/2002	Yamazaki	
D468,373 S	1/2003	Rothschild	

D468,375 S *	1/2003	So	D21/611
6,560,511 B1	5/2003	Yokoo et al.	
D536,045 S	1/2007	Judkins et al.	
D537,891 S	3/2007	Judkins et al.	

* cited by examiner

Primary Examiner—Sandra Morris

(74) *Attorney, Agent, or Firm*—Perry Hoffman

(57) **CLAIM**

The ornamental design for a robotic dog, as shown and described.

DESCRIPTION

FIG. 1 is a perspective view of the robotic dog of the instant invention;

FIG. 2 is a top plan view thereof;

FIG. 3 is a bottom view thereof;

FIG. 4 is a front elevational view thereof;

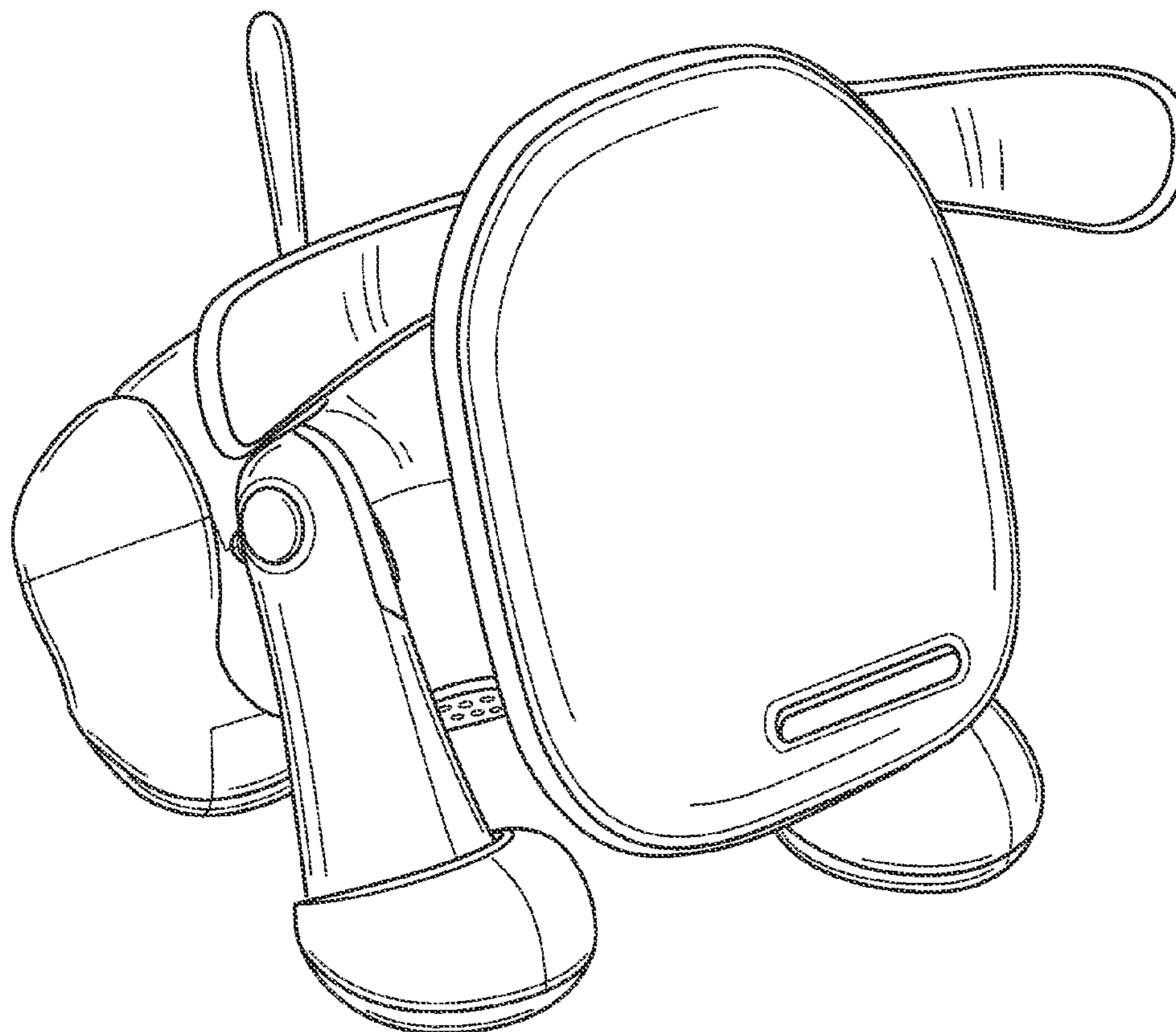
FIG. 5 is a rear elevational view thereof;

FIG. 6 is a right side elevational view thereof; and,

FIG. 7 is a left side elevational view thereof.

The portions shown in broken lines are for illustrative purposes only; and form no part of the claimed design.

1 Claim, 4 Drawing Sheets



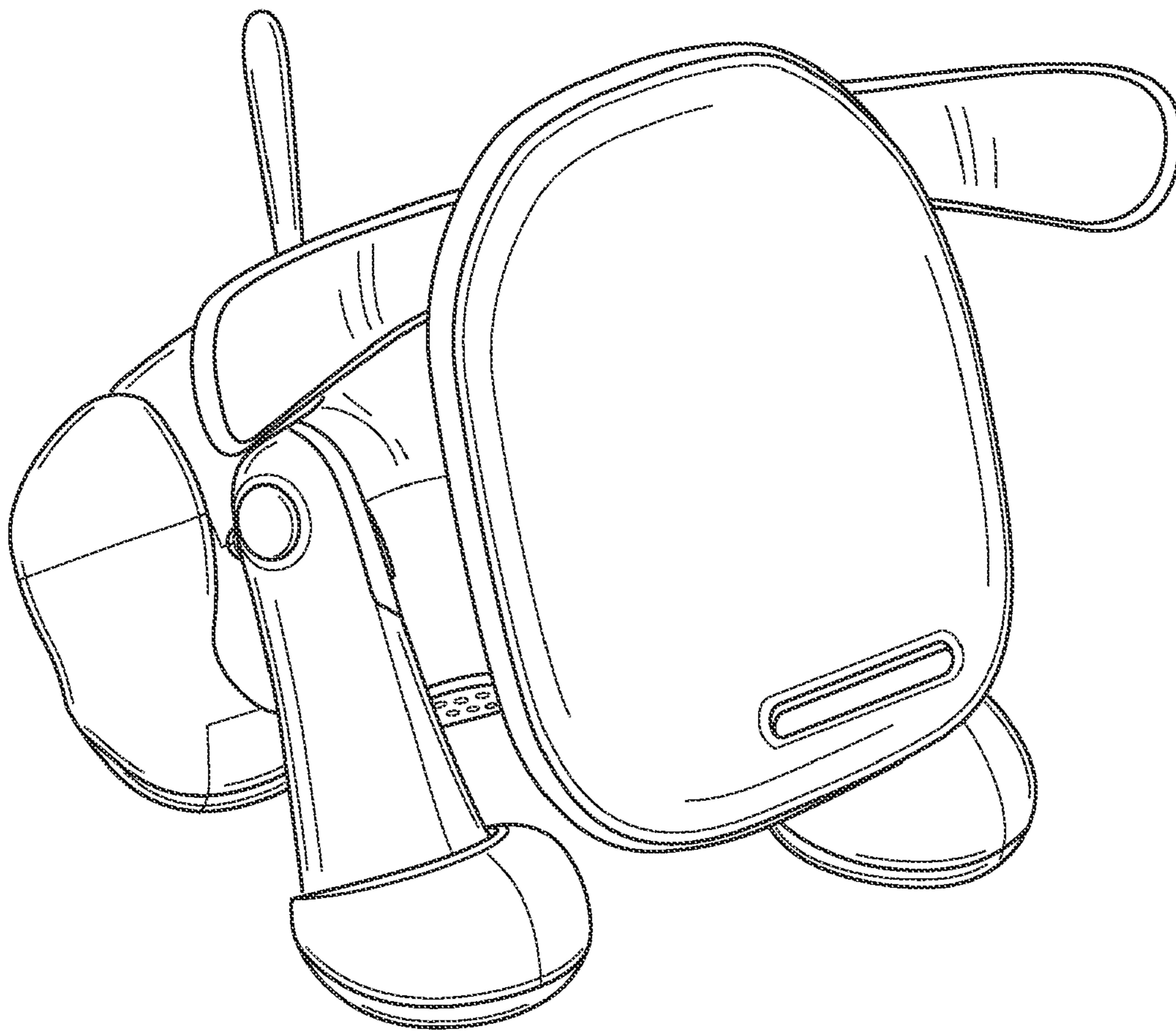


FIG. 1

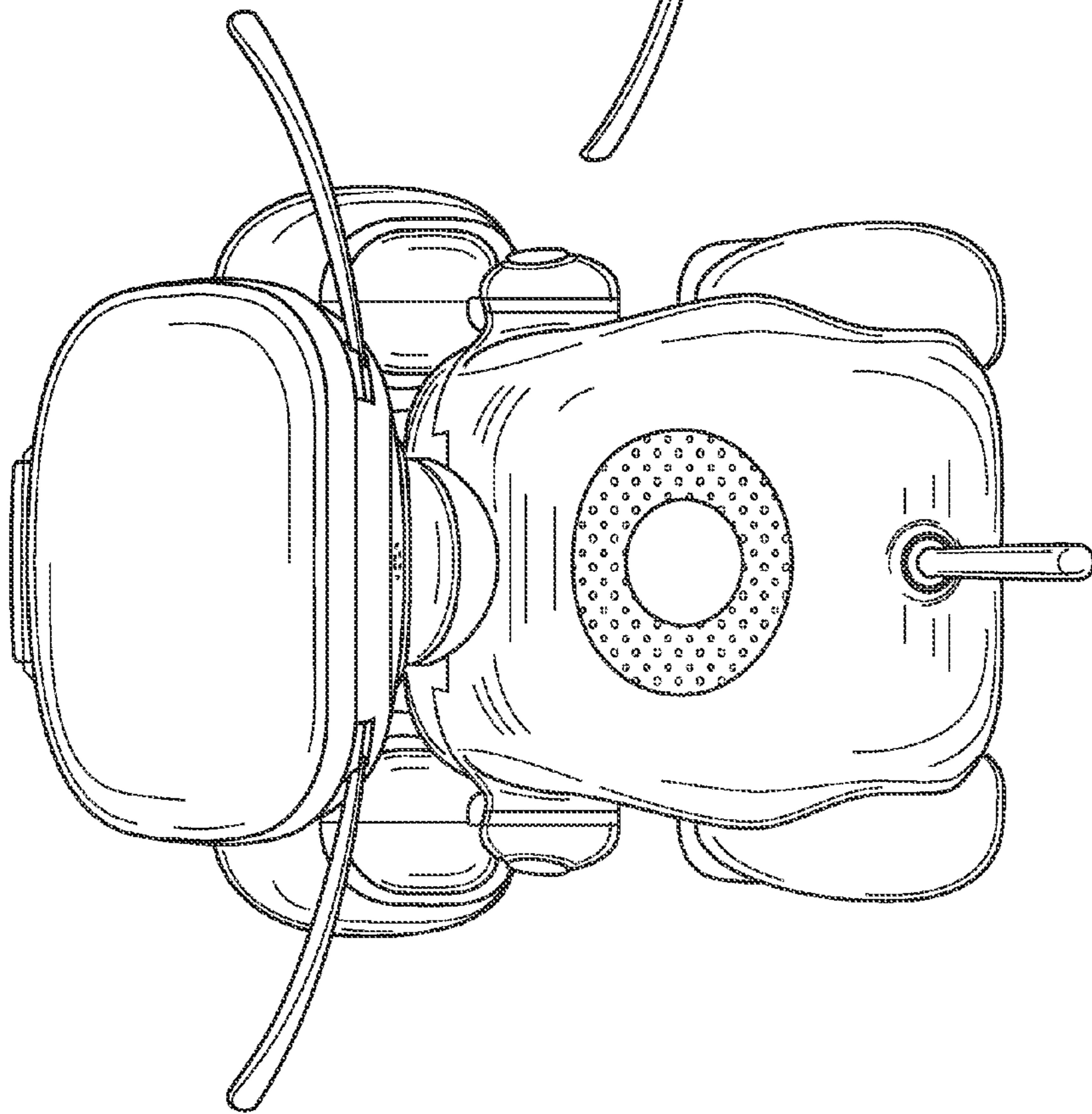


FIG. 2

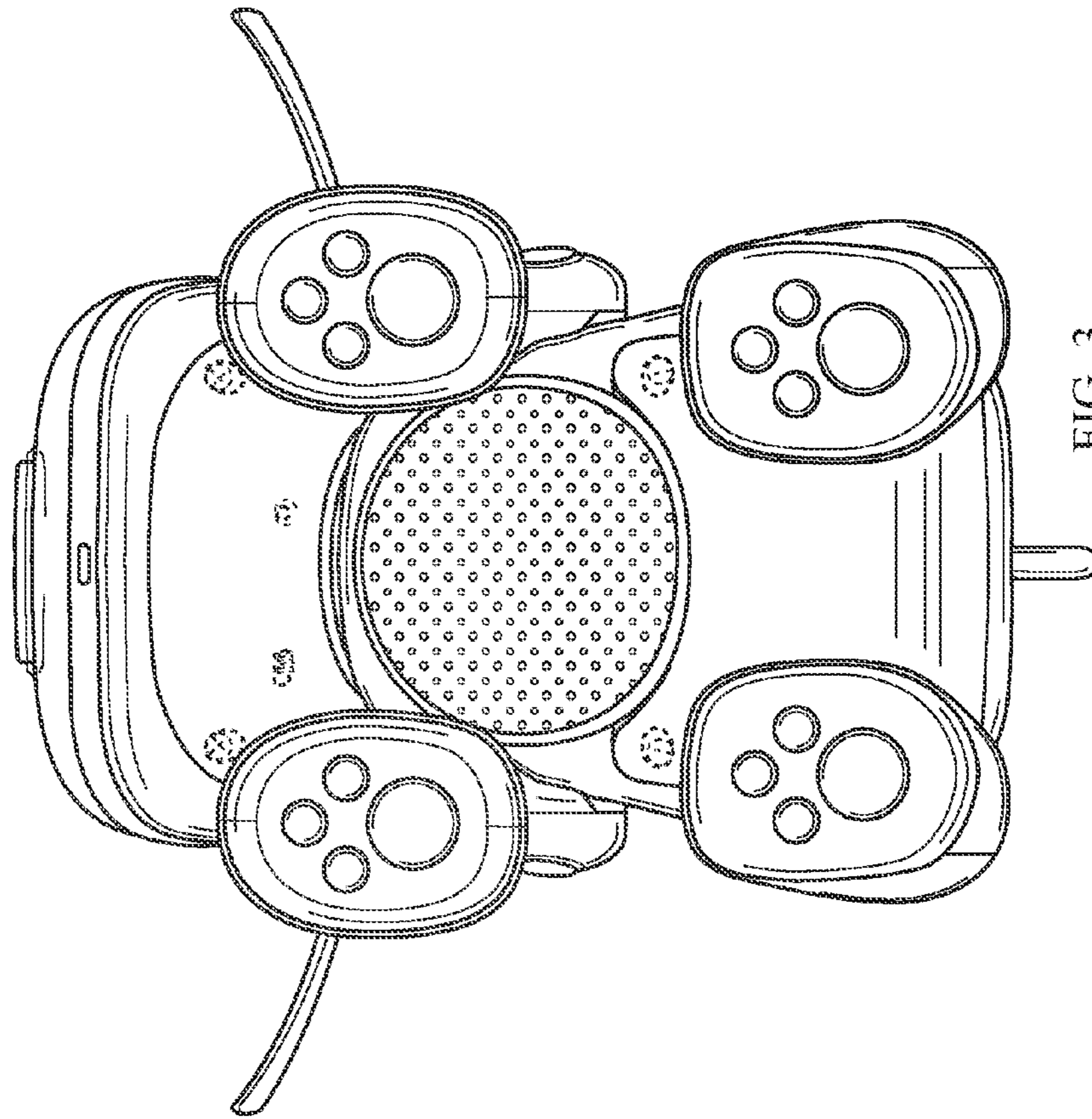


FIG. 3

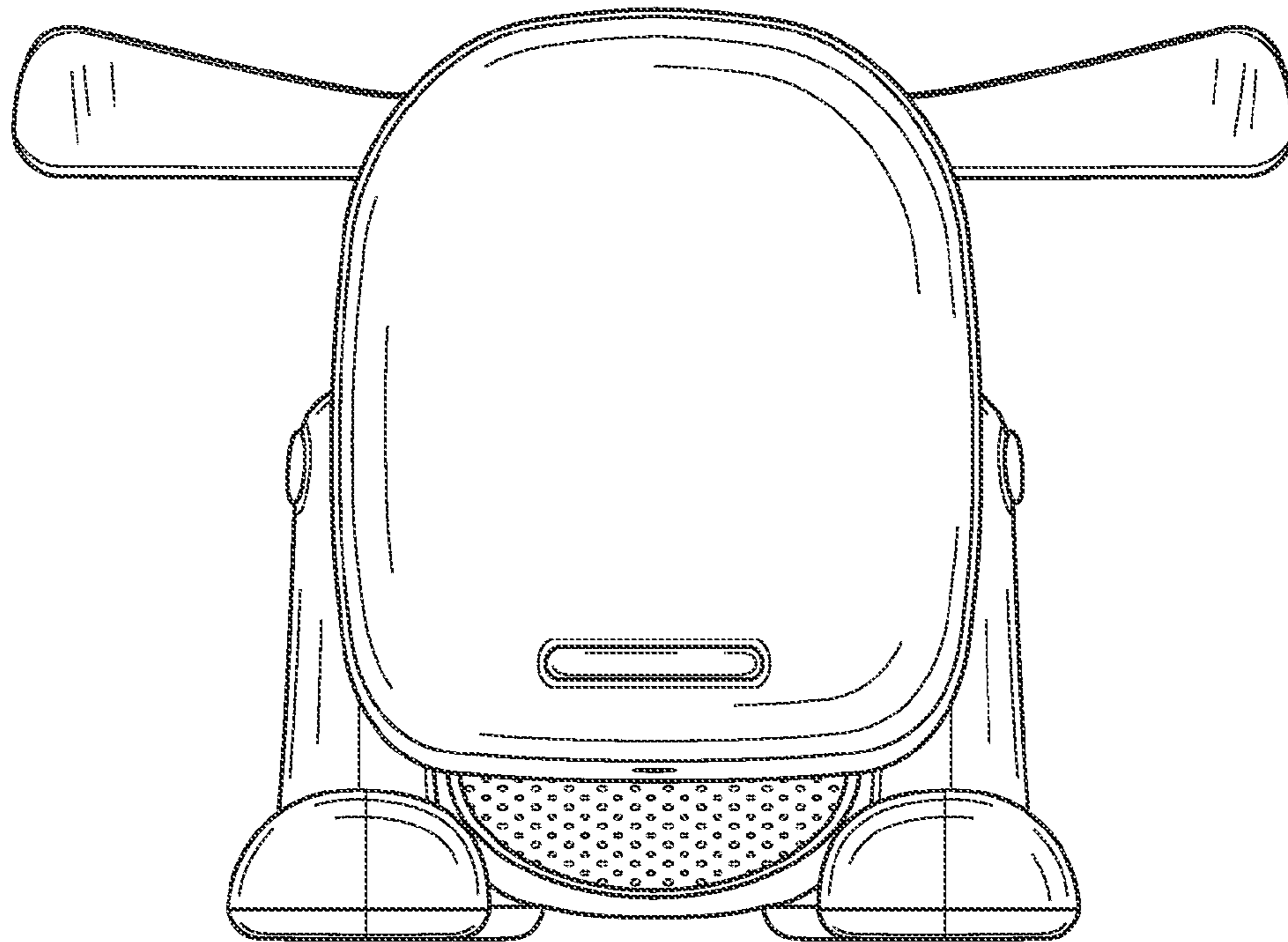


FIG. 4

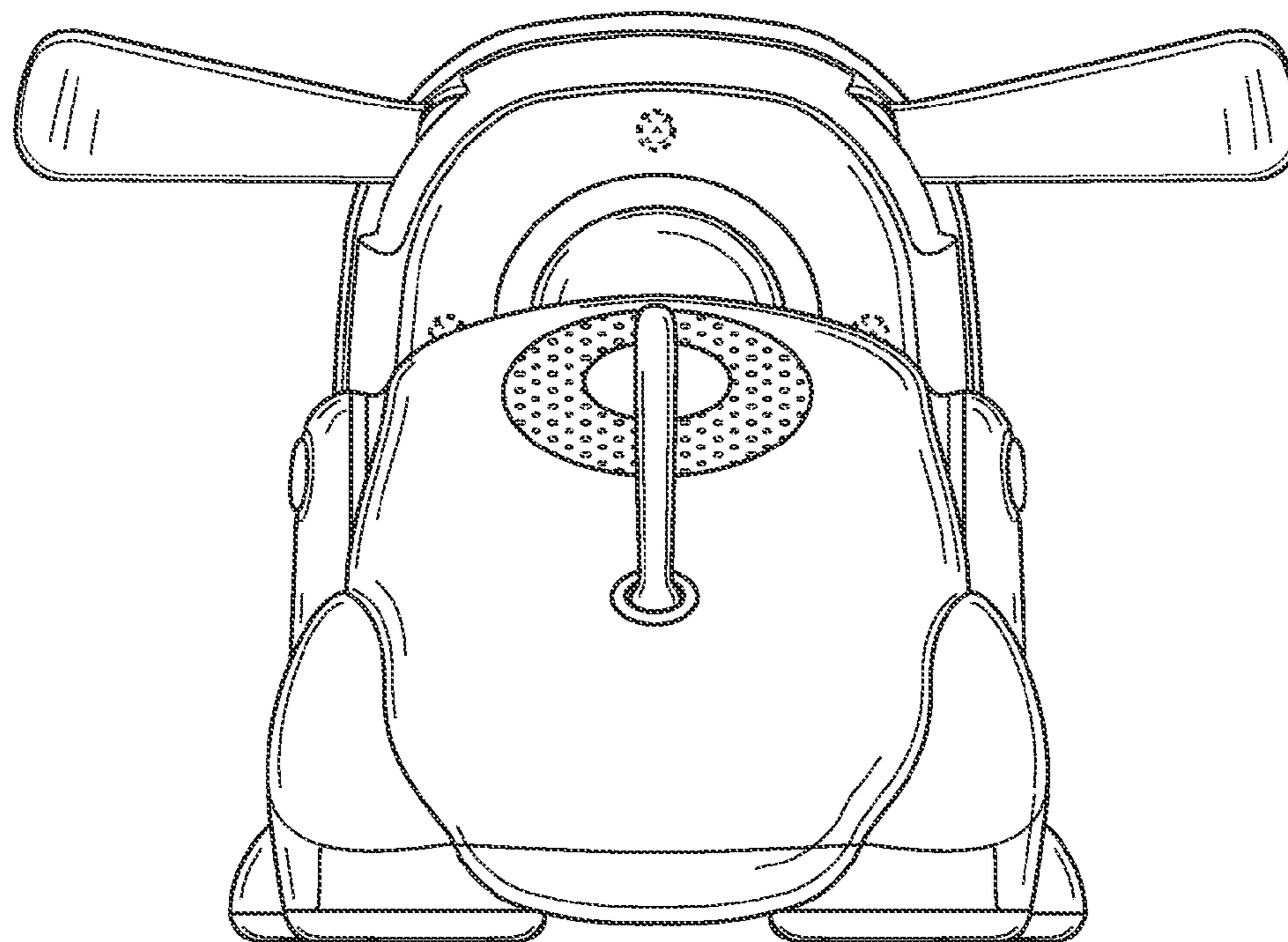


FIG. 5

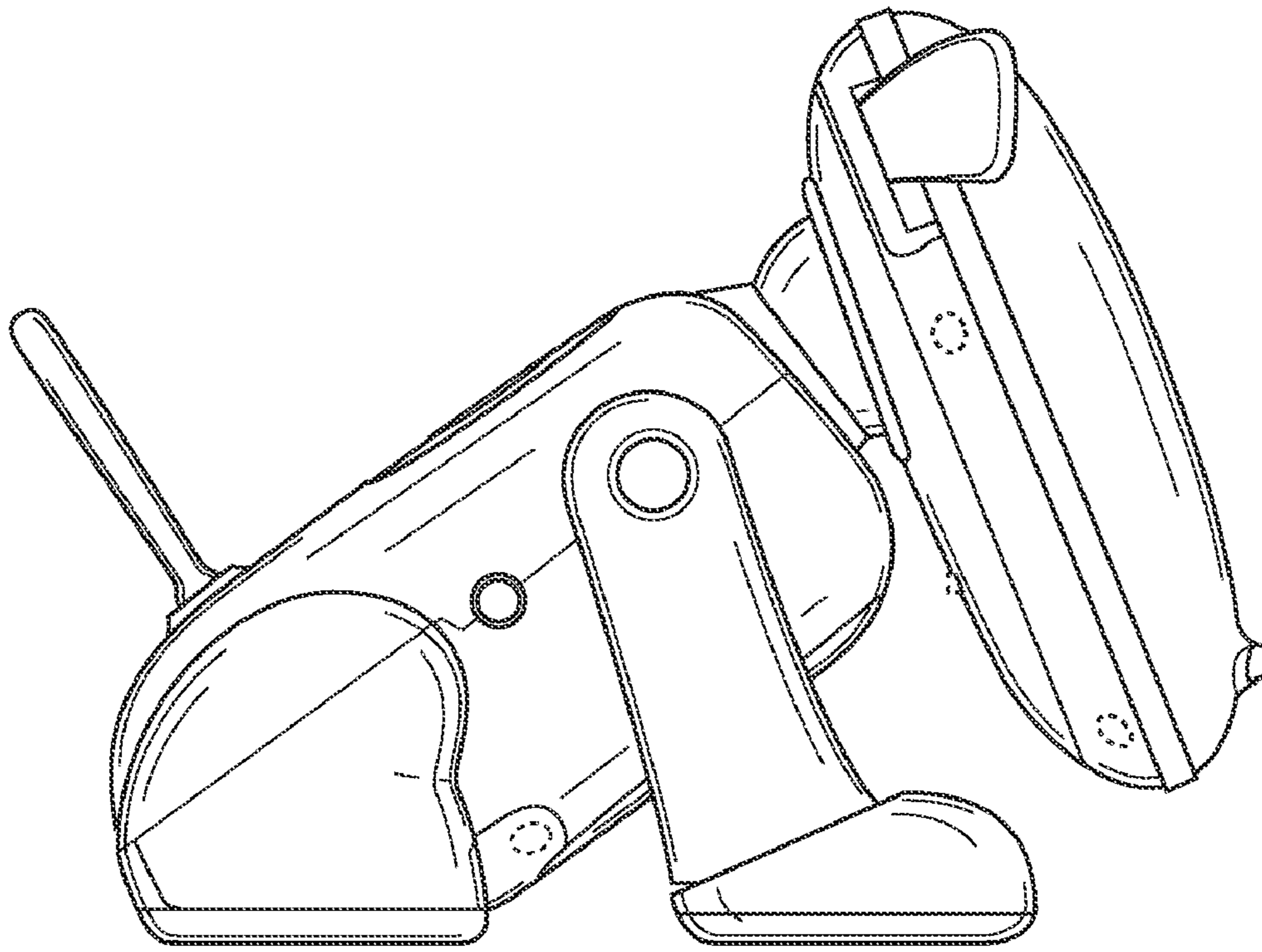


FIG. 6

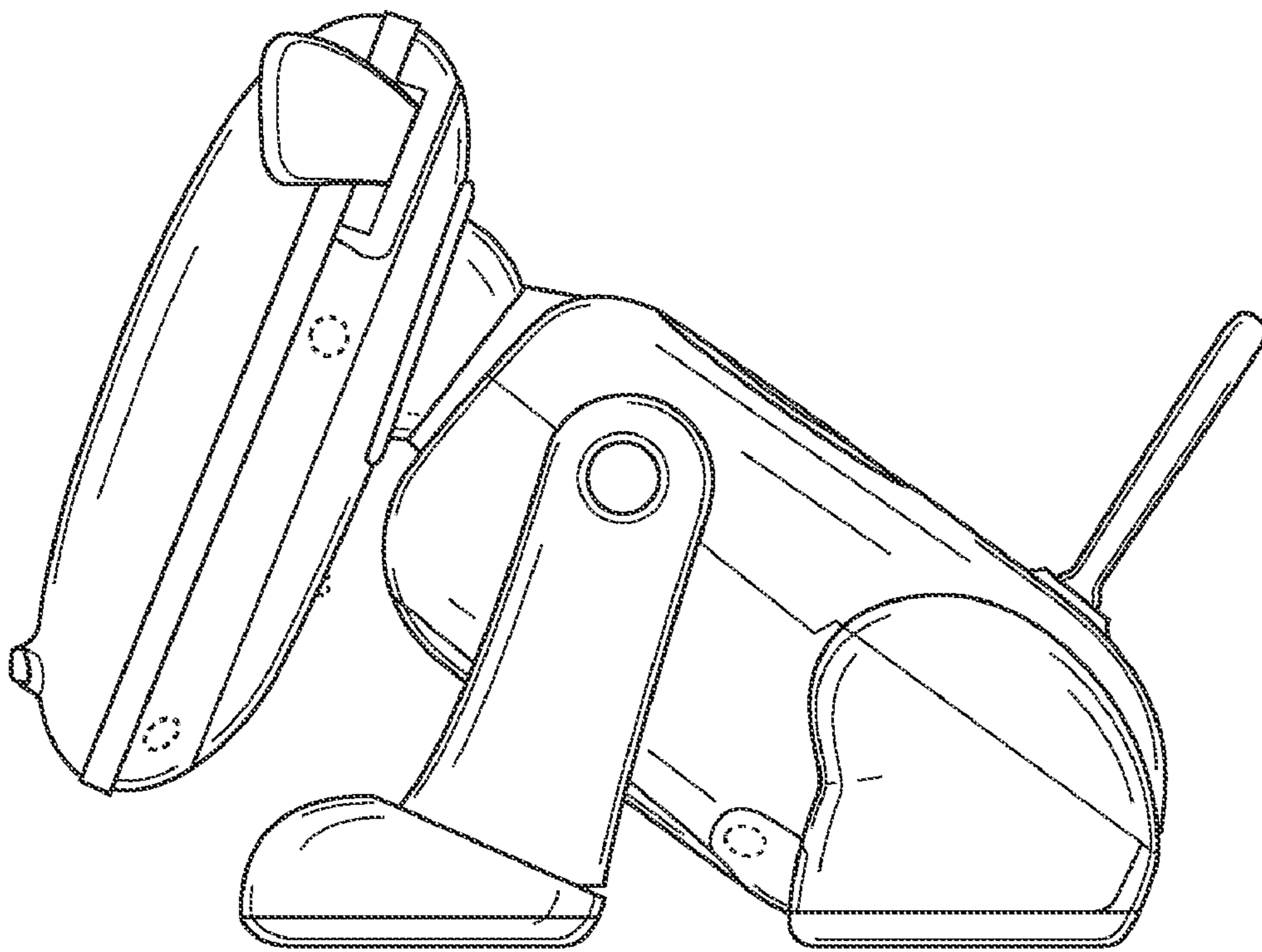


FIG. 7