



US00D566793S

(12) **United States Design Patent**  
**Mitchell**

(10) **Patent No.:** **US D566,793 S**  
(45) **Date of Patent:** **\*\* Apr. 15, 2008**

(54) **ROBOT**

(75) Inventor: **Oliver B. Mitchell**, New York, NY  
(US)

(73) Assignee: **The Robot Factory, LLC**, New York,  
NY (US)

(\*\*) Term: **14 Years**

(21) Appl. No.: **29/292,600**

(22) Filed: **Oct. 17, 2007**

**Related U.S. Application Data**

(63) Continuation of application No. 11/759,880, filed on  
Jun. 7, 2007, and a continuation of application No.  
11/759,879, filed on Jun. 7, 2007, and a continuation  
of application No. 11/759,877, filed on Jun. 7, 2007.

(51) **LOC (8) Cl.** ..... **21-01**

(52) **U.S. Cl.** ..... **D21/578**

(58) **Field of Classification Search** ..... D21/621,  
D21/622, 630, 645, 659, 578-583; 446/268,  
446/360-361, 376, 379, 382-384

See application file for complete search history.

(56) **References Cited**

**U.S. PATENT DOCUMENTS**

3,303,247 A	2/1967	Carter et al.
3,412,694 A	11/1968	Hewett et al.
3,690,806 A	9/1972	Kovacs
3,790,654 A	2/1974	Bagley
3,911,070 A	10/1975	Lundsager
3,933,965 A	1/1976	Gallone et al.
D239,961 S	5/1976	Yamashina
D246,126 S	10/1977	Ogawa
4,354,820 A	10/1982	Yamamoto et al.
4,391,060 A	7/1983	Nakane
D281,088 S	10/1985	Murakami
4,747,986 A	5/1988	Chao
4,767,309 A	8/1988	Mizuno
4,812,276 A	3/1989	Chao
D301,358 S	5/1989	Kunihiro

D301,727 S *	6/1989	Brune	.....	D21/578
4,846,657 A	7/1989	Chao		
4,874,343 A	10/1989	Rosenthal		
D342,981 S *	1/1994	D'Andrade	.....	D21/578
D366,076 S	1/1996	Pedersen		
D371,174 S *	6/1996	Tsai	.....	D21/578
D404,441 S	1/1999	Tong		
D410,476 S	6/1999	Gomi et al.		
D453,199 S *	1/2002	Sawai et al.	.....	D21/578
D453,361 S *	2/2002	Tsai	.....	D21/578
6,345,972 B1	2/2002	Guillemette		
D460,503 S *	7/2002	Koshiishi et al.	.....	D21/578
6,413,595 B1	7/2002	Schirmer		
D461,856 S	8/2002	Fong		
6,580,970 B2	6/2003	Matsuda et al.		
D534,971 S	1/2007	Chung		
D541,353 S	4/2007	Takahashi		
2005/0162117 A1	7/2005	Iribe et al.		
2006/0033462 A1	2/2006	Moridaira		
2006/0258260 A1	11/2006	Okamoto et al.		
2007/0155276 A1	7/2007	Hanamoto et al.		

\* cited by examiner

*Primary Examiner*—Janice E. Seeger

*Assistant Examiner*—Zenia I. Bennett

(74) *Attorney, Agent, or Firm*—Ropes & Gray LLP

(57) **CLAIM**

The ornamental design for a robot, as shown and described.

**DESCRIPTION**

FIG. 1 is a perspective view of my new design for a robot;

FIG. 2 is a front elevational view thereof;

FIG. 3 is a rear elevational view thereof;

FIG. 4 is a right-side elevational view thereof;

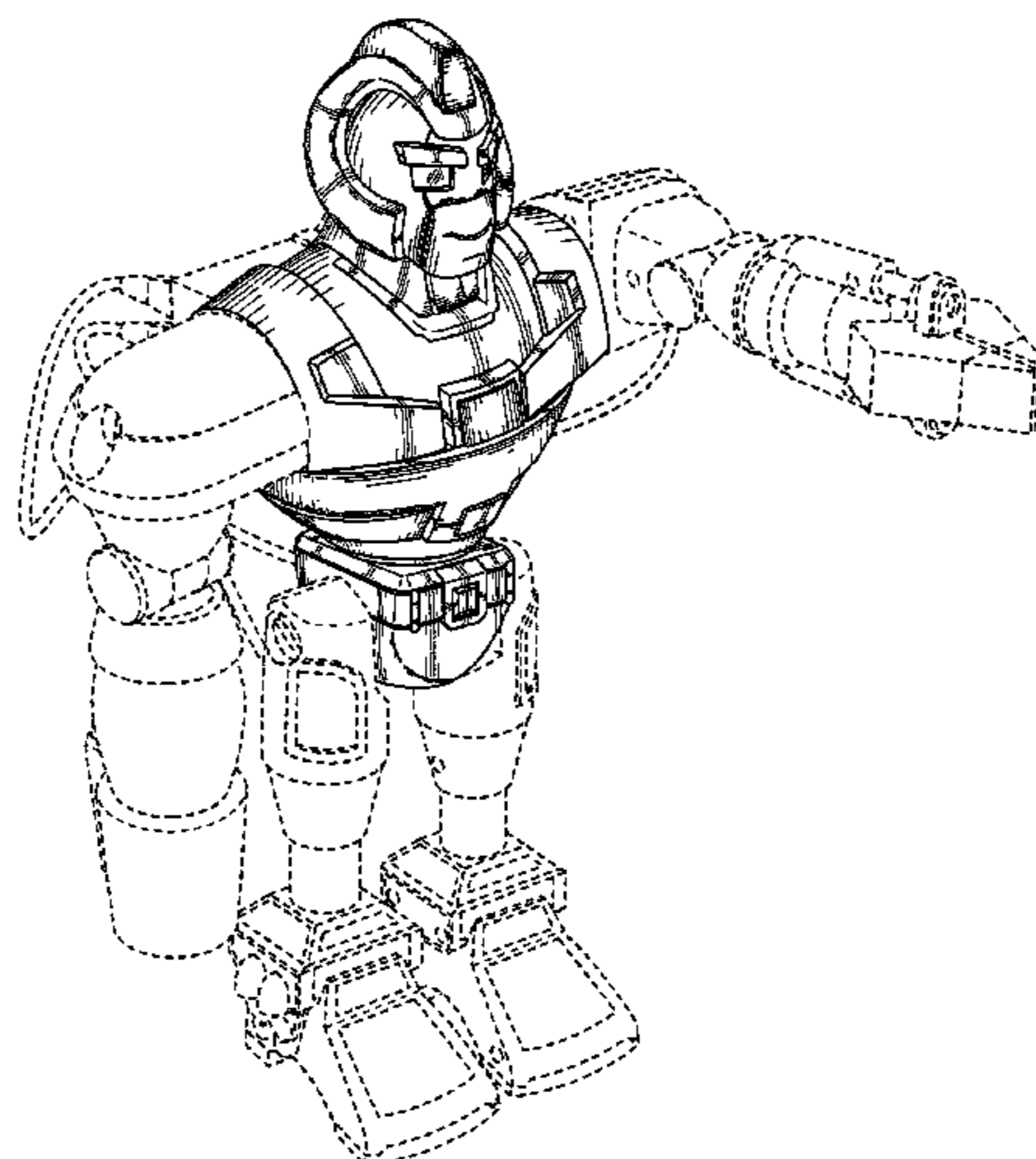
FIG. 5 is a left-side elevational view thereof;

FIG. 6 is a top view thereof; and,

FIG. 7 is a bottom view thereof.

The broken lines are for illustrative purposes only and form no part of the claimed design.

**1 Claim, 7 Drawing Sheets**



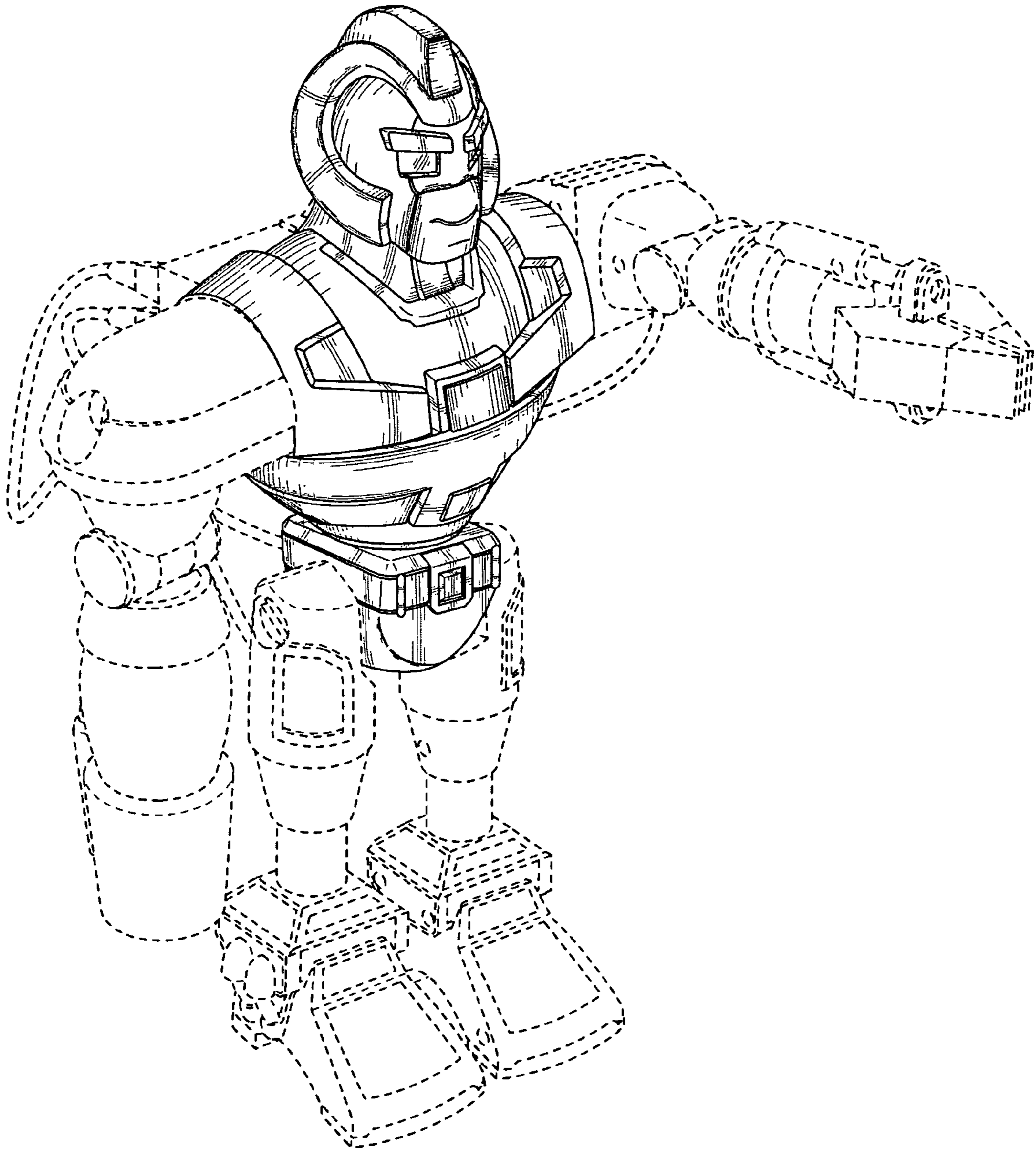


FIG. 1

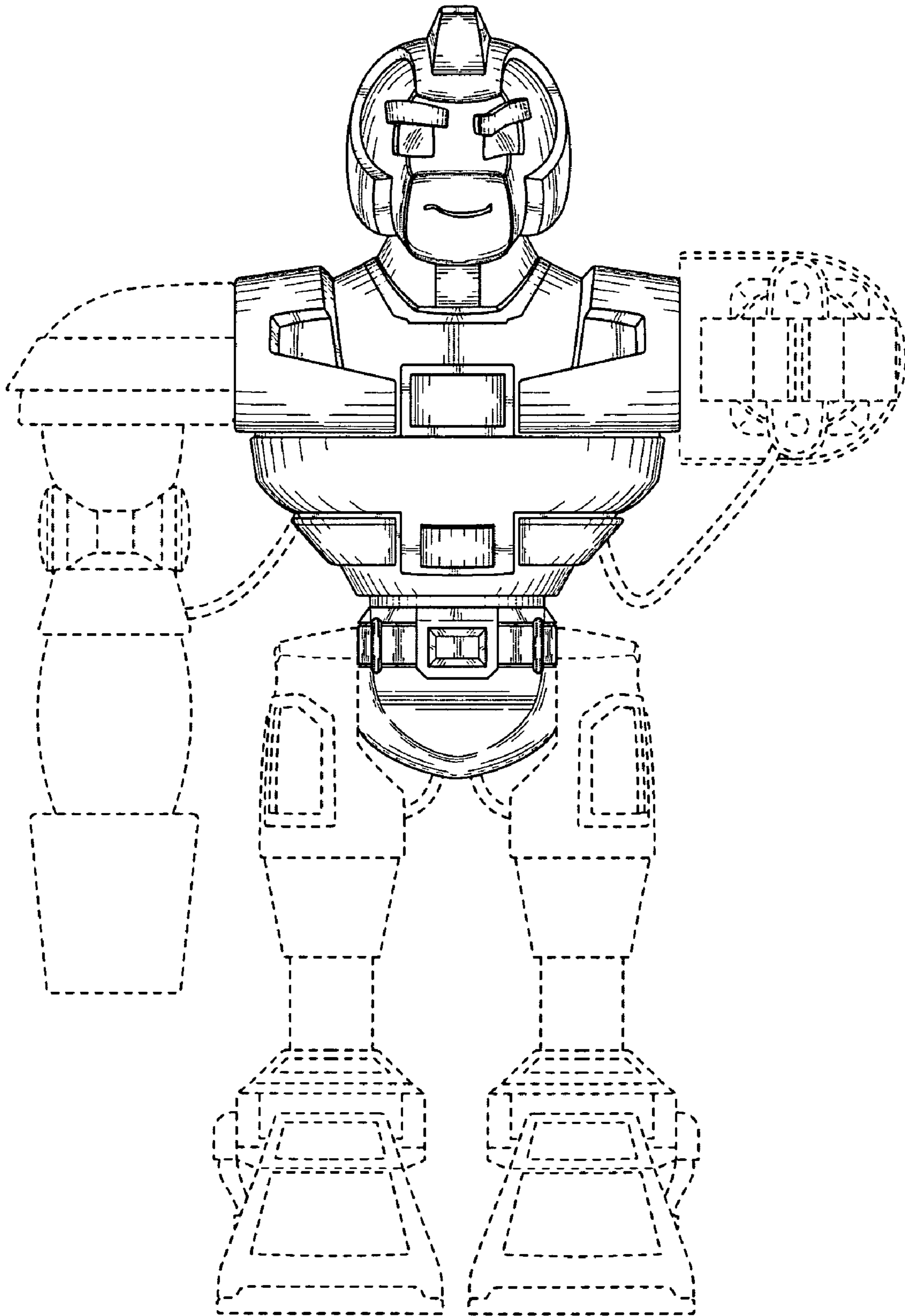


FIG. 2

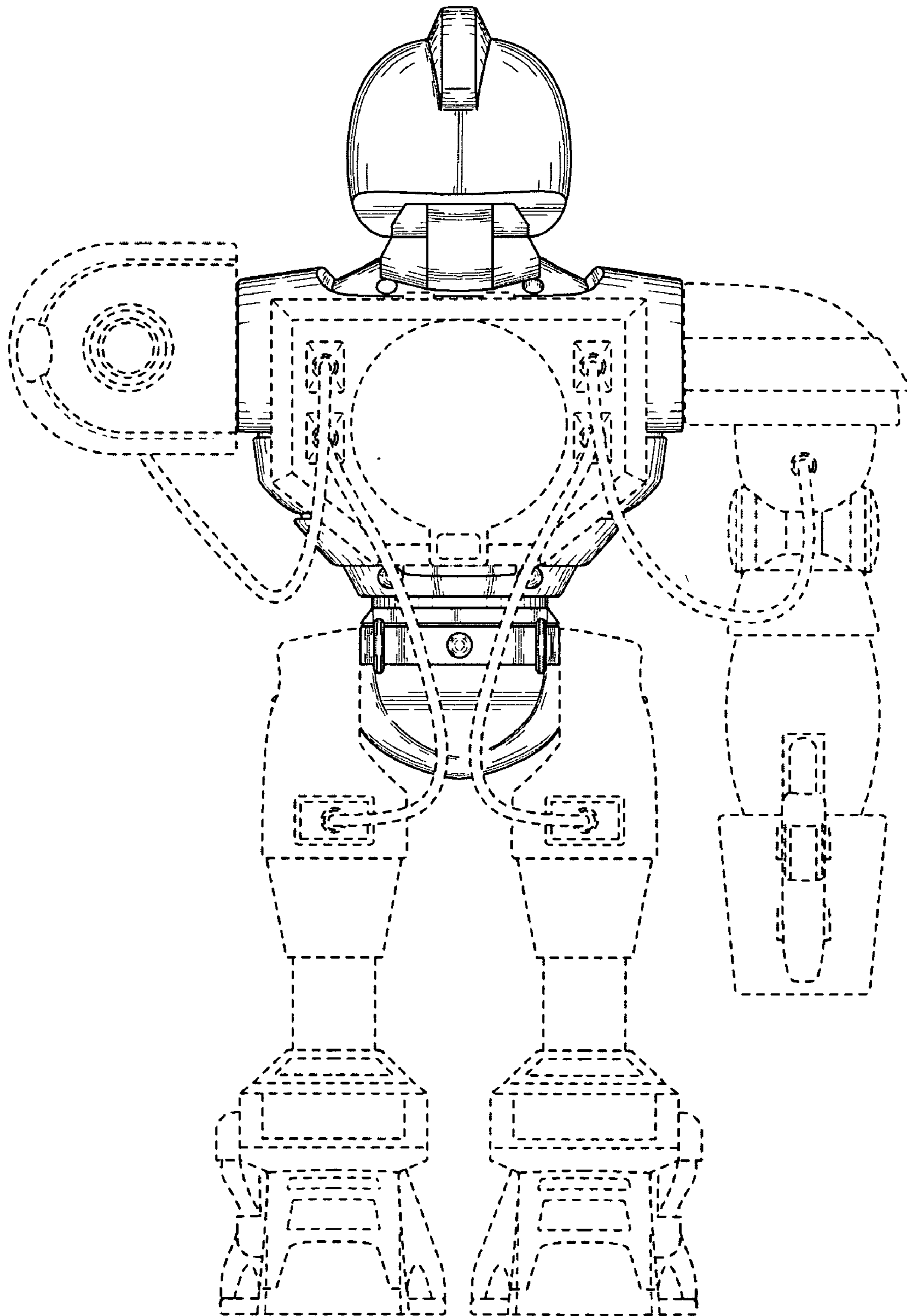


FIG. 3

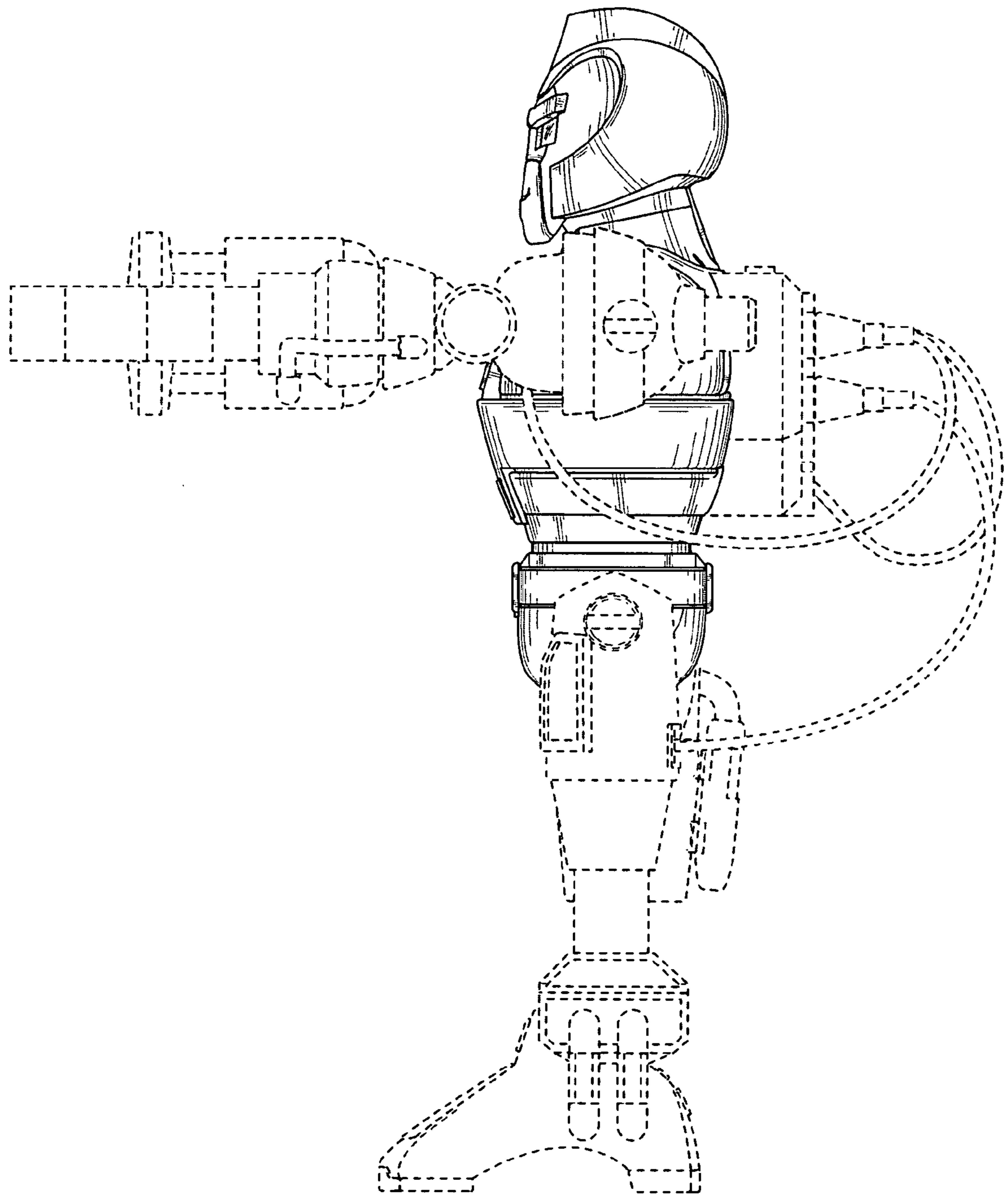


FIG. 4

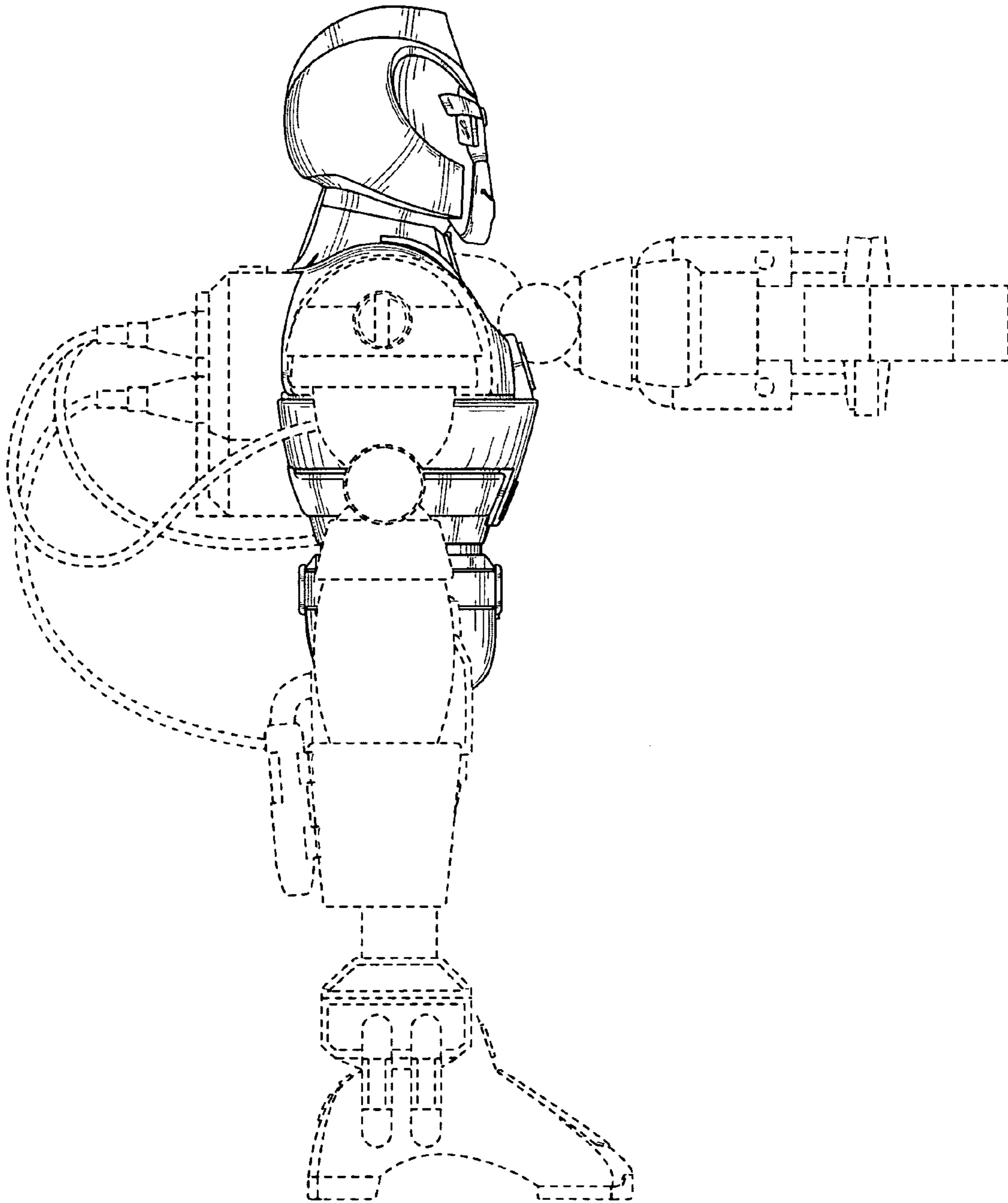


FIG. 5

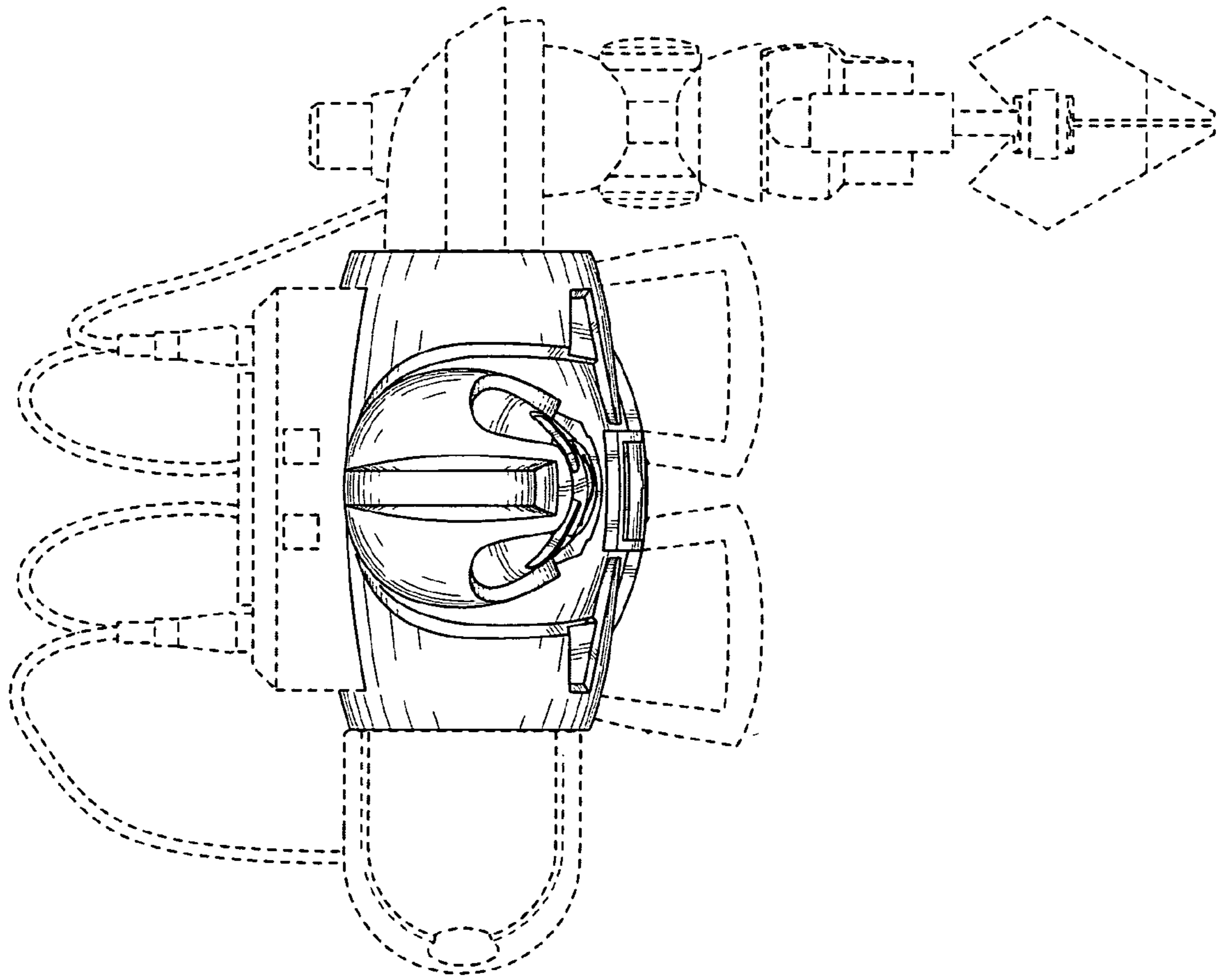


FIG. 6

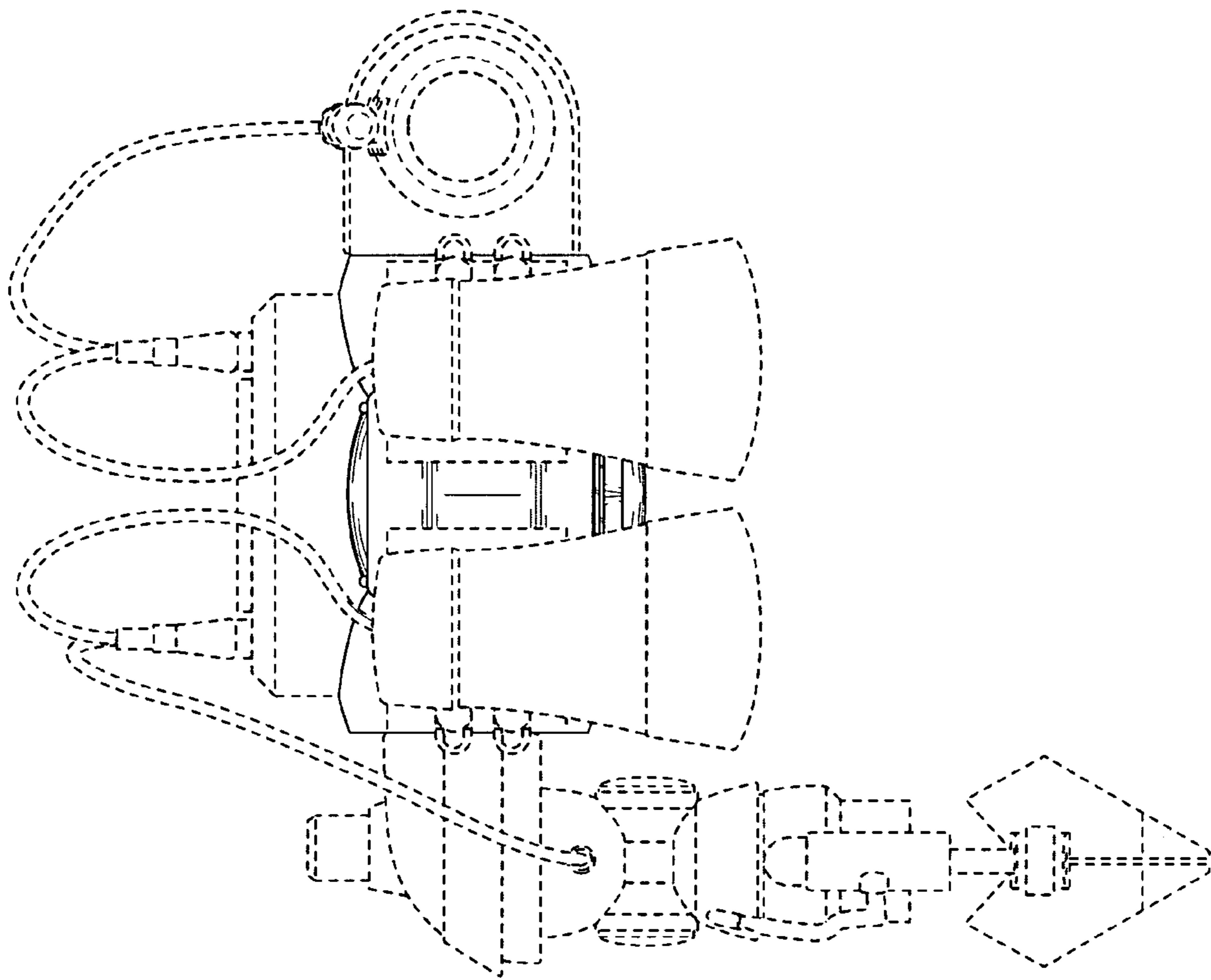


FIG. 7