



US00D566792S

(12) **United States Design Patent**  
**Broersma**

(10) **Patent No.:** **US D566,792 S**

(45) **Date of Patent:** **\*\* Apr. 15, 2008**

(54) **STRAIGHT TOP MOUNT FEEDNECK**

(75) **Inventor:** **Lester V. Broersma**, San Diego, CA  
(US)

(73) **Assignee:** **JTSports LLC**, Bentonville, AR (US)

(\*\*) **Term:** **14 Years**

(21) **Appl. No.:** **29/259,623**

(22) **Filed:** **May 11, 2006**

(51) **LOC (8) Cl.** ..... **21-01**

(52) **U.S. Cl.** ..... **D21/573**

(58) **Field of Classification Search** ..... D21/567,  
D21/570-575; D22/100, 101, 103, 104,  
D22/108, 109; 124/41.1, 45, 49, 51.1, 55,  
124/56, 69, 70-74, 79

See application file for complete search history.

(56) **References Cited**

**U.S. PATENT DOCUMENTS**

1,743,576	A	1/1930	Smith	
3,089,476	A	5/1963	Wolverton	124/11
4,936,282	A	6/1990	Dobbins et al.	124/74
5,063,905	A	11/1991	Farrell	124/72
5,228,427	A	7/1993	Gardner, Jr.	124/71
5,282,454	A	2/1994	Bell et al.	124/49
5,370,105	A	12/1994	Firman	124/56
5,462,042	A	10/1995	Greenwell	124/76
5,503,137	A	4/1996	Fusco	124/72
5,613,483	A	3/1997	Lukas et al.	124/73
5,736,720	A	4/1998	Bell et al.	235/1
5,878,736	A	3/1999	Lotuaco, III	124/71
5,881,707	A	3/1999	Gardner, Jr.	124/77
5,967,133	A	10/1999	Gardner, Jr.	124/77
6,003,504	A	12/1999	Rice et al.	124/73
6,015,058	A	1/2000	Parks	220/229
6,035,843	A	3/2000	Smith et al.	124/77
6,065,460	A	5/2000	Lotuaco, III	124/72
6,138,656	A	10/2000	Rice et al.	124/73
6,142,137	A	11/2000	MacLaughlin	124/72
6,349,711	B1	2/2002	Perry et al.	124/73
6,439,217	B1	8/2002	Shih	124/77
6,474,326	B1	11/2002	Smith et al.	124/77

6,532,949	B1	3/2003	McKendrick	124/77
6,553,983	B1	4/2003	Li	124/73
6,590,386	B1	7/2003	Williams	324/178
6,739,322	B2	5/2004	Rice et al.	124/49
6,763,822	B1	7/2004	Styles	124/77
6,802,306	B1	10/2004	Rice	124/74
6,973,748	B2	12/2005	Rice	42/69.01
2002/0129805	A1*	9/2002	Sullivan, Jr.	124/49
2003/0047173	A1*	3/2003	Juan	124/49
2004/0011344	A1	1/2004	Rice et al.	124/73
2004/0074489	A1	4/2004	Neumaster et al.	124/79
2004/0211402	A1*	10/2004	Christopher et al.	124/41.1
2006/0075999	A1*	4/2006	Carpenter et al.	124/49
2006/0076000	A1*	4/2006	Carpenter et al.	124/49

\* cited by examiner

*Primary Examiner*—Holly H. Bayham

*Assistant Examiner*—Cynthia M. Chin

(74) *Attorney, Agent, or Firm*—Keisling Pieper & Scott  
PLC; David B. Pieper; Trent C. Keisling

(57) **CLAIM**

The ornamental design for a straight top mount feedneck, as shown and described.

**DESCRIPTION**

FIG. 1 is a top view of a straight top mount feedneck showing my new design;

FIG. 2 is a back view thereof;

FIG. 3 is a left side view thereof;

FIG. 4 is a front view thereof;

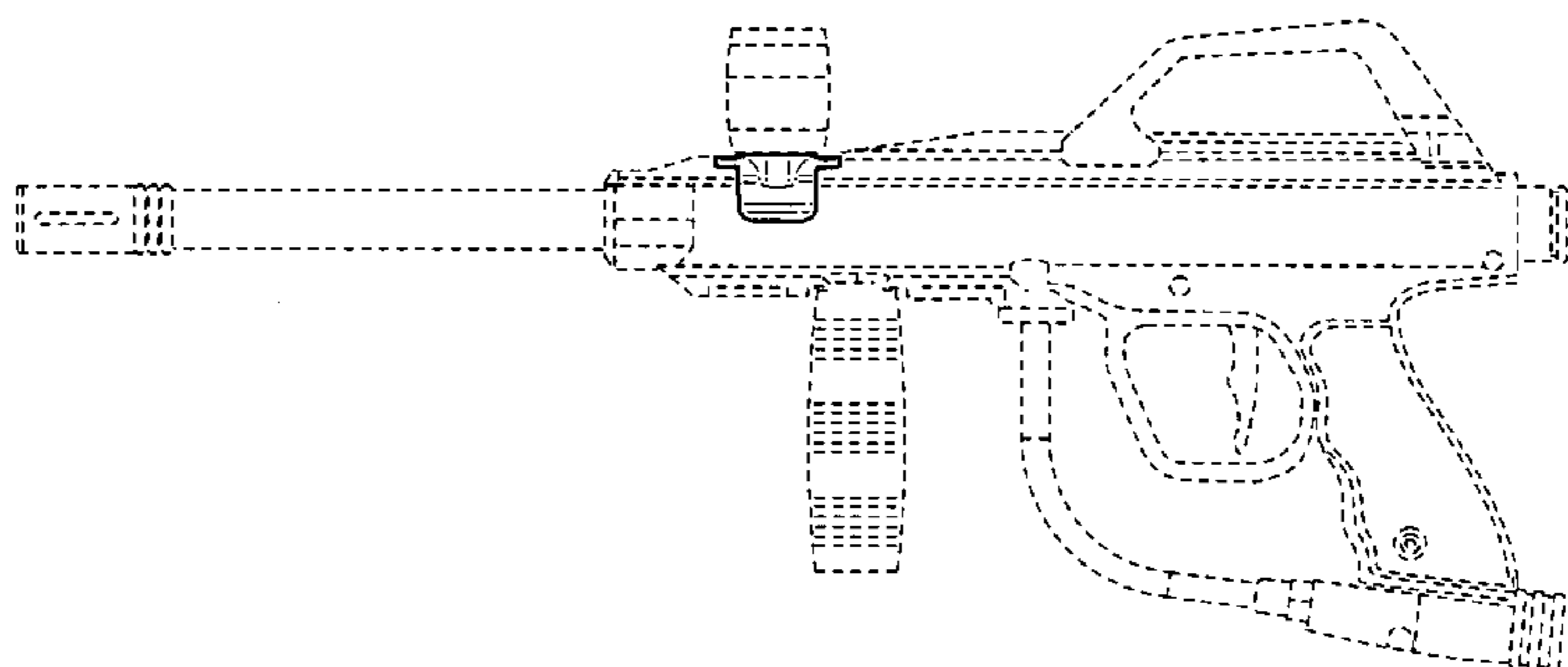
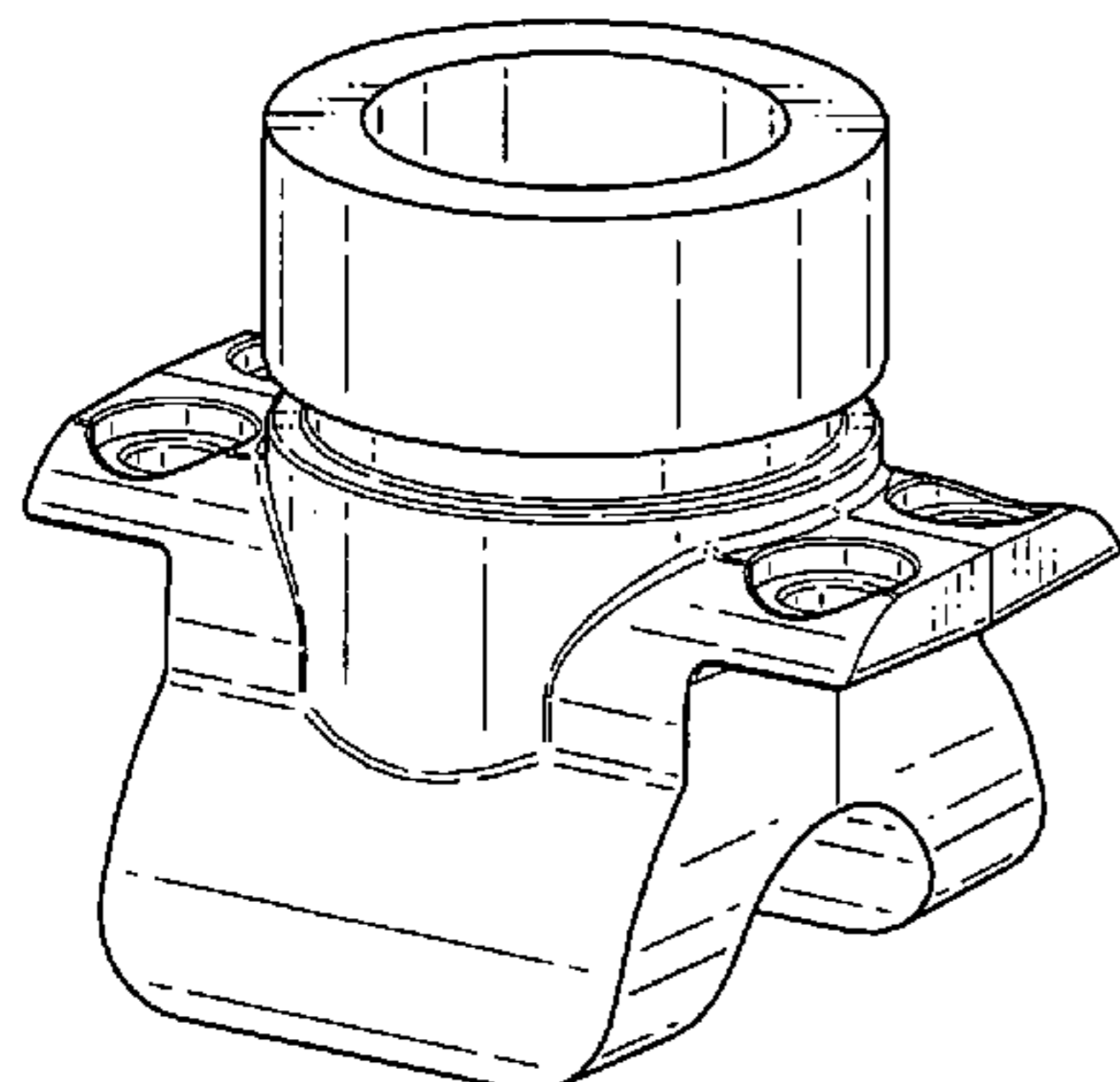
FIG. 5 is a right side view thereof;

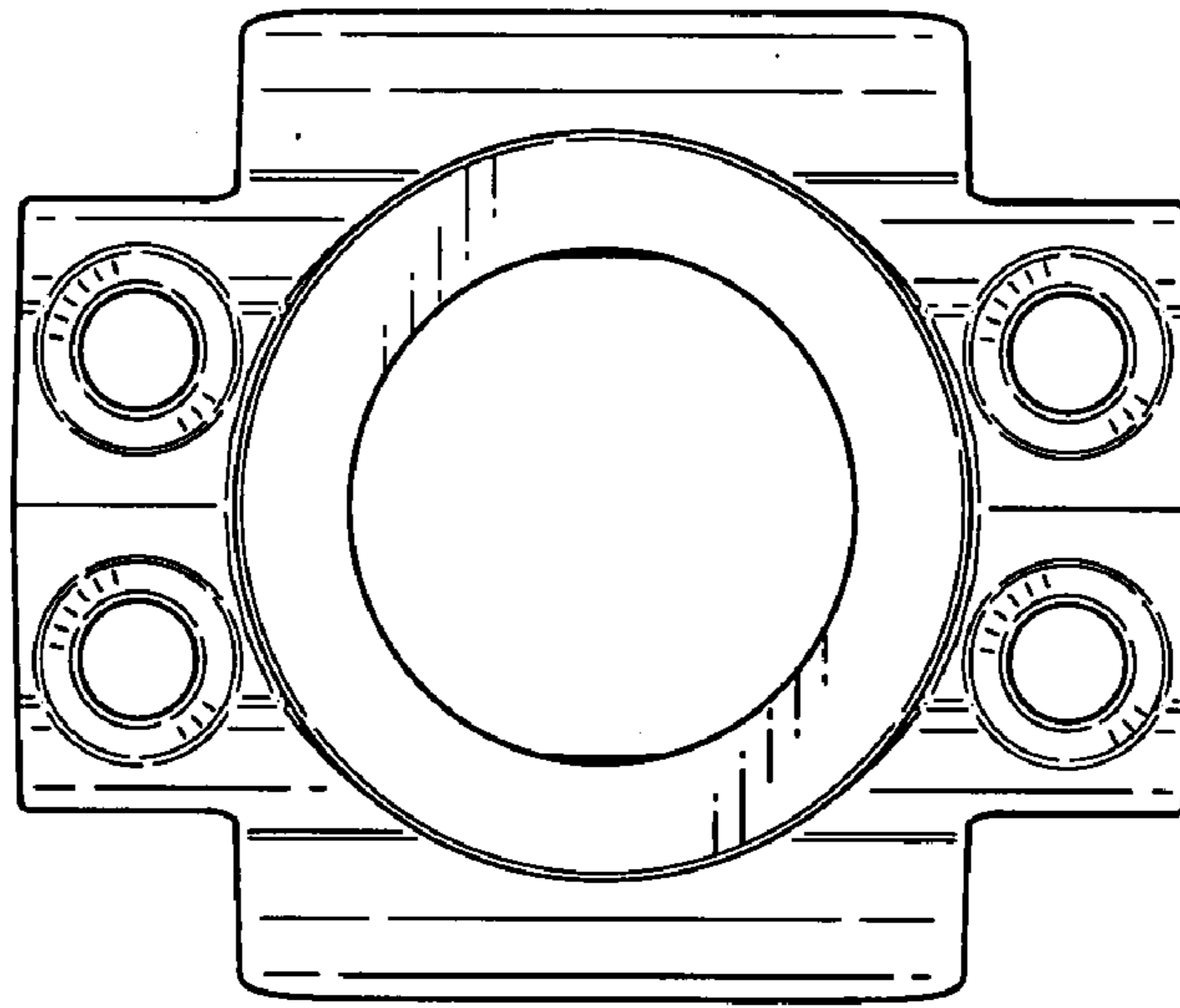
FIG. 6 is a bottom view thereof;

FIG. 7 is an isometric view thereof; and,

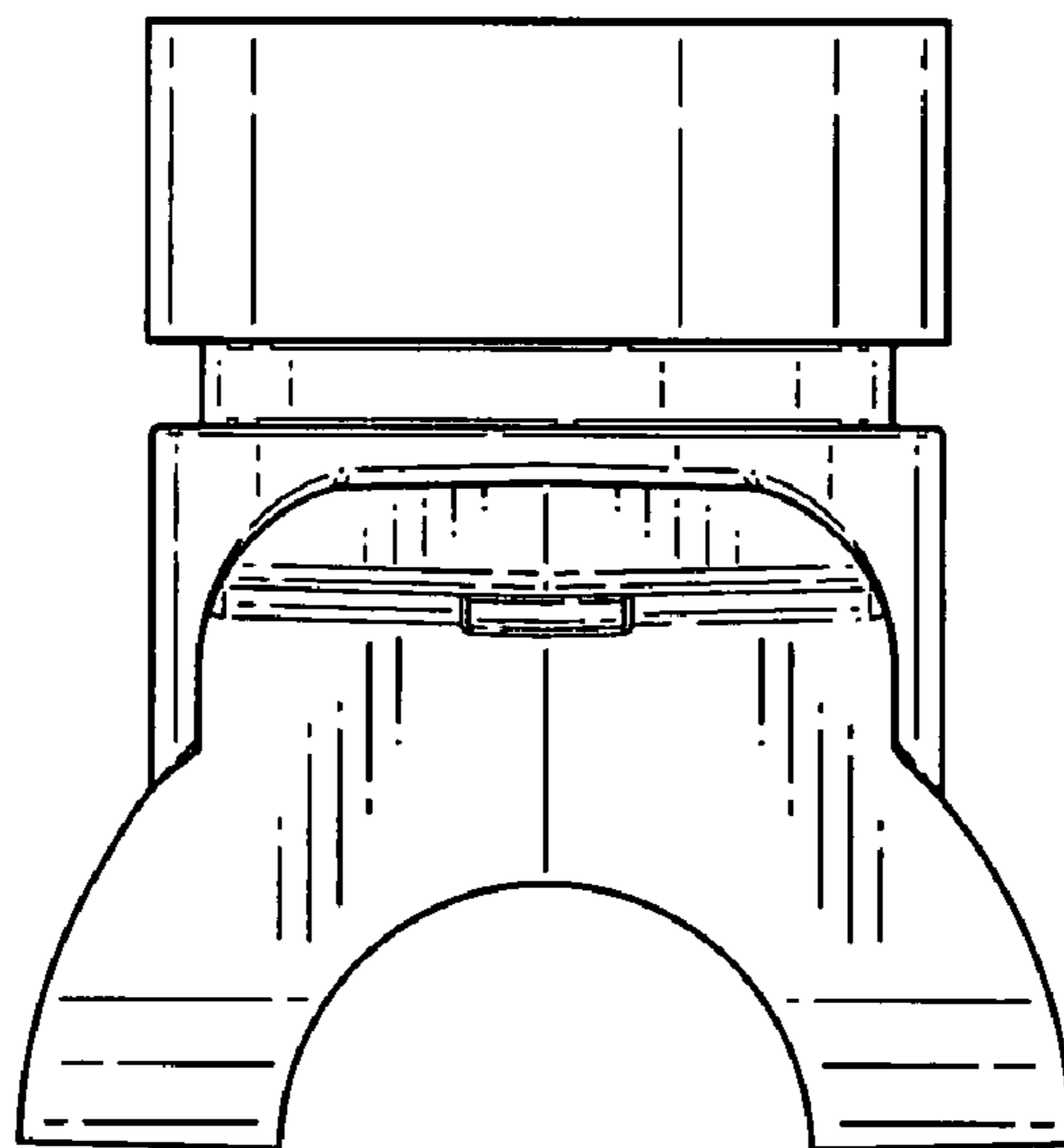
FIG. 8 is a reduced environmental view thereof showing the feedneck connected to a paintball marker with a grip attached over the top of the feedneck where the broken lines in the drawings are used for illustrative purposes only such that the grip and the marker body form no part of the claimed design.

**1 Claim, 4 Drawing Sheets**

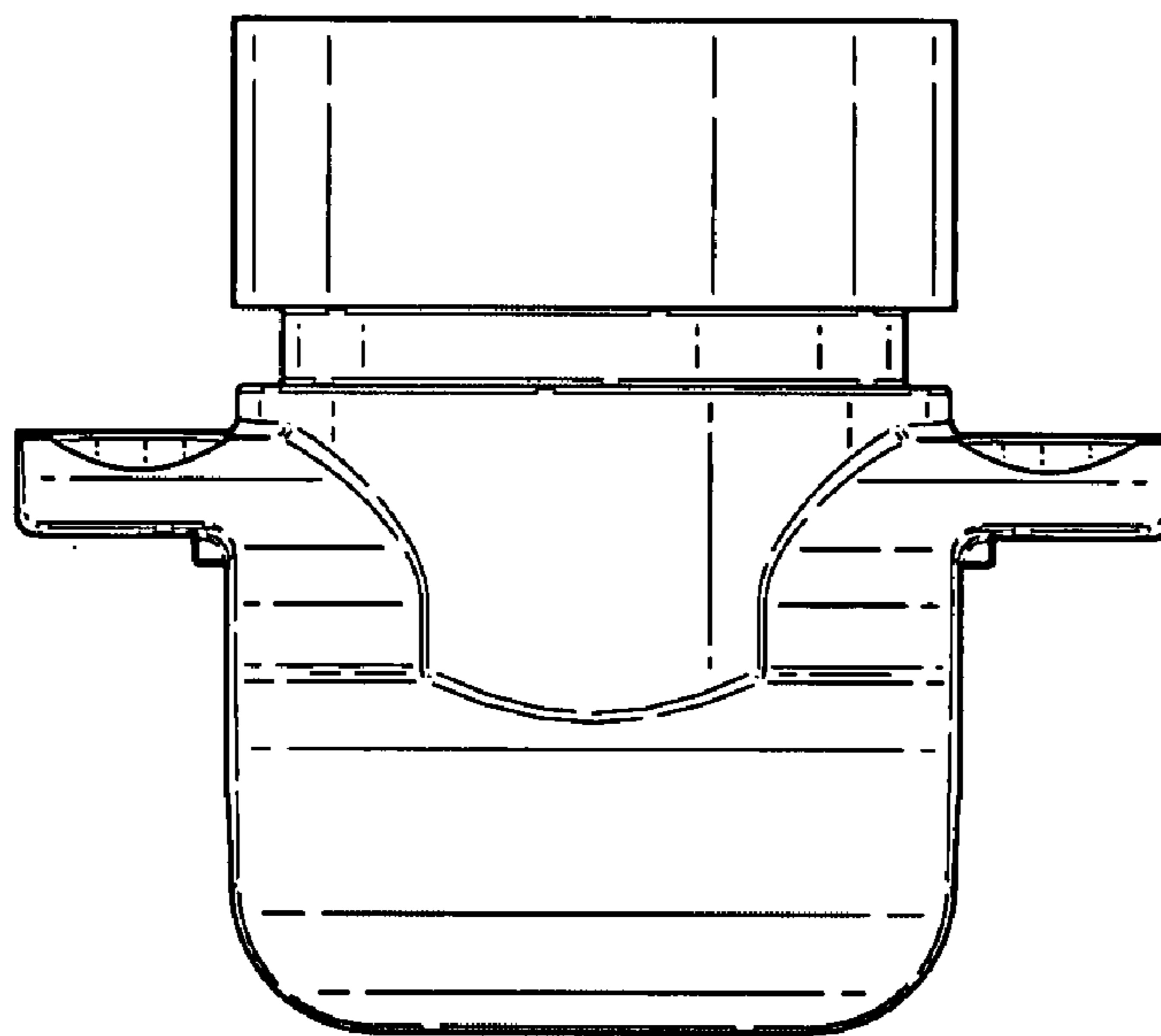




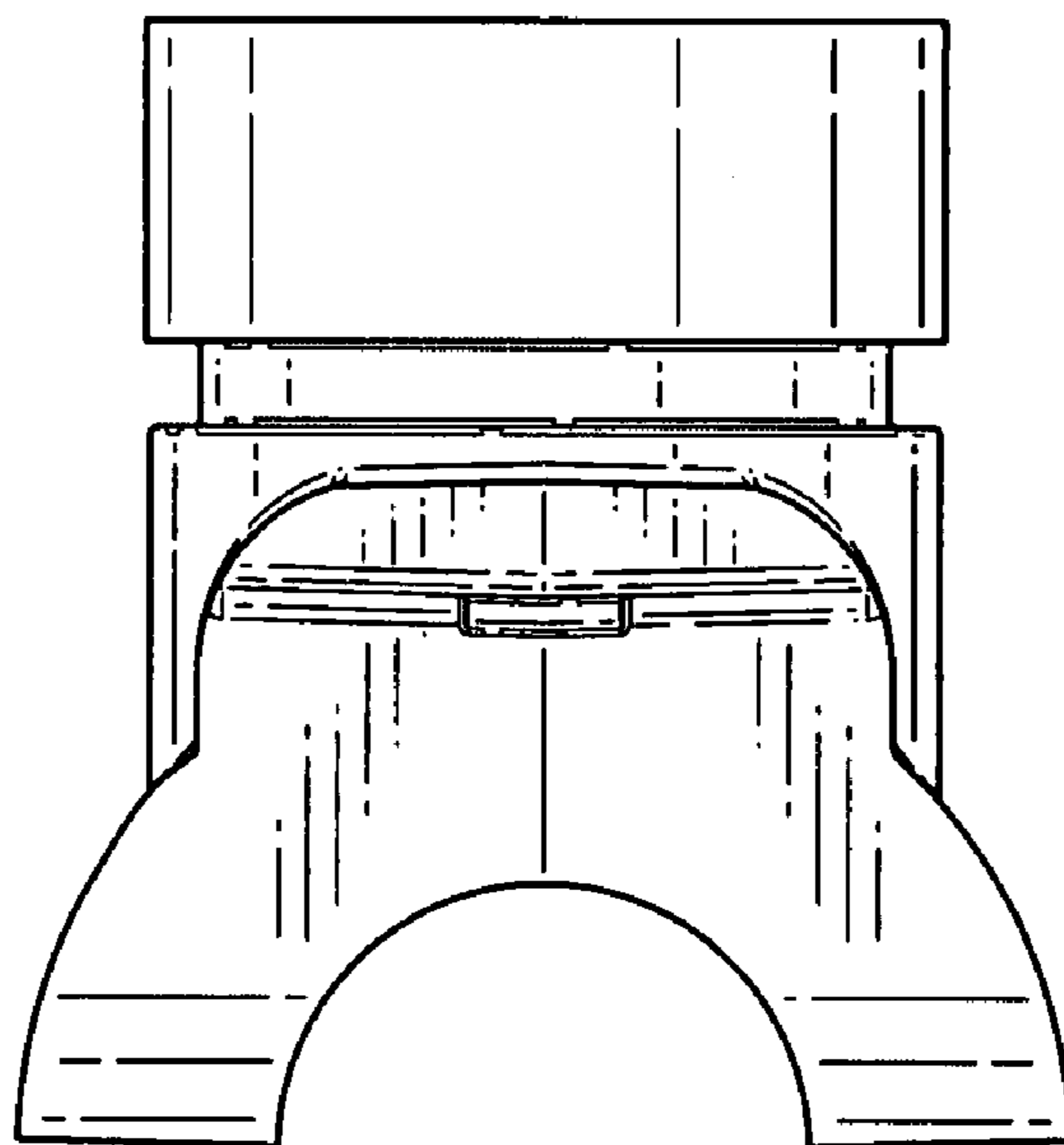
*FIG. 1*



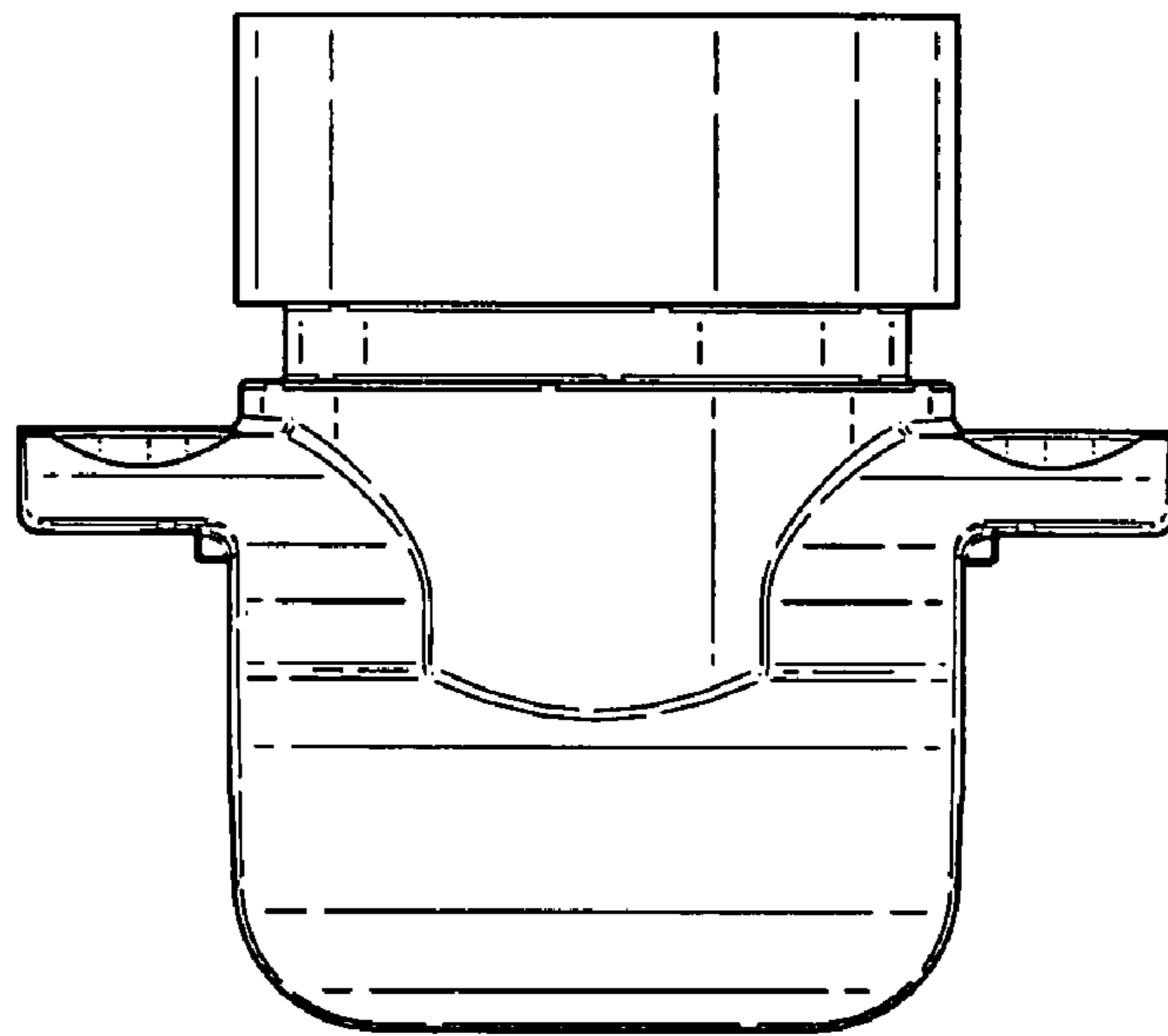
*FIG. 2*



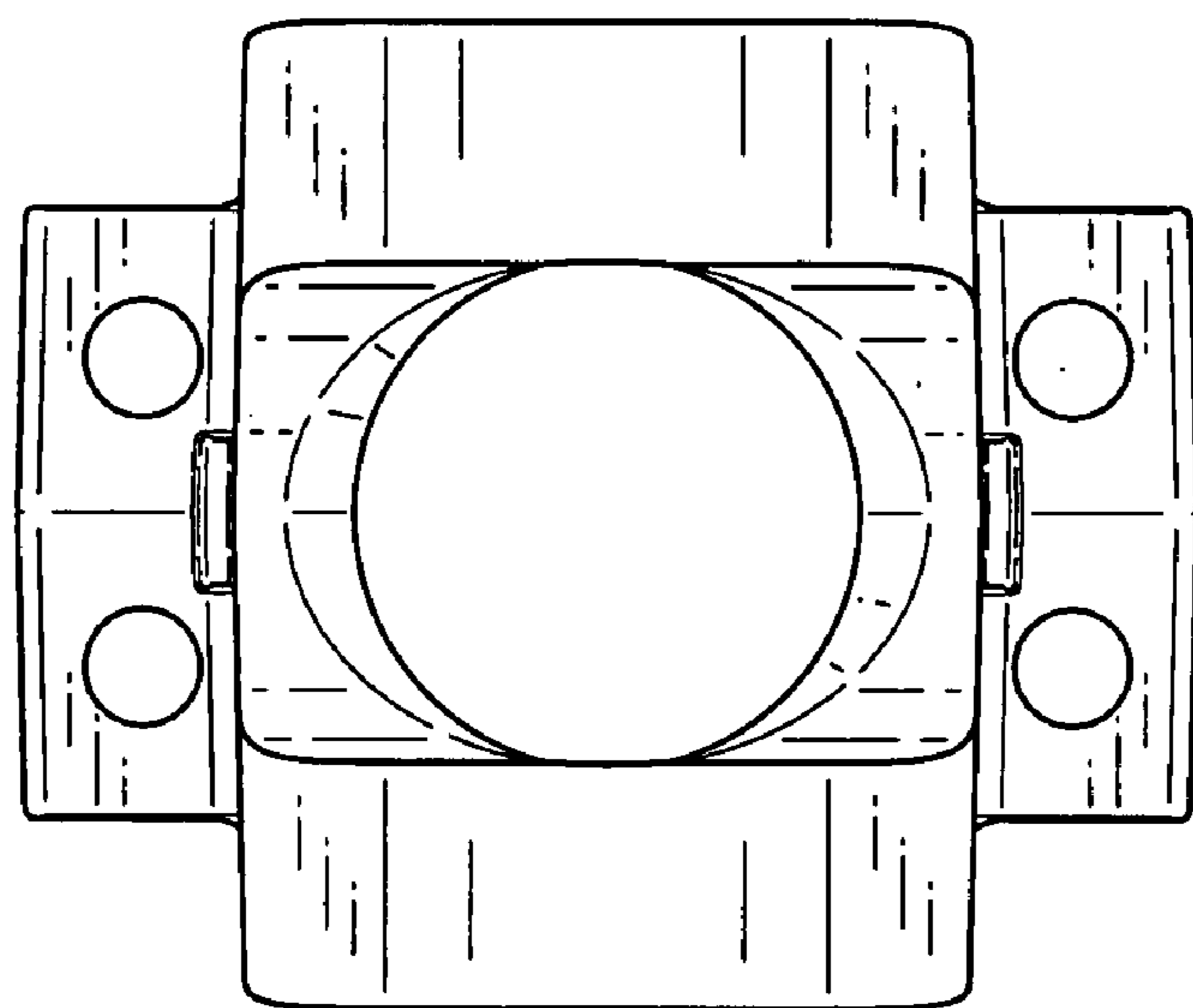
*FIG. 3*



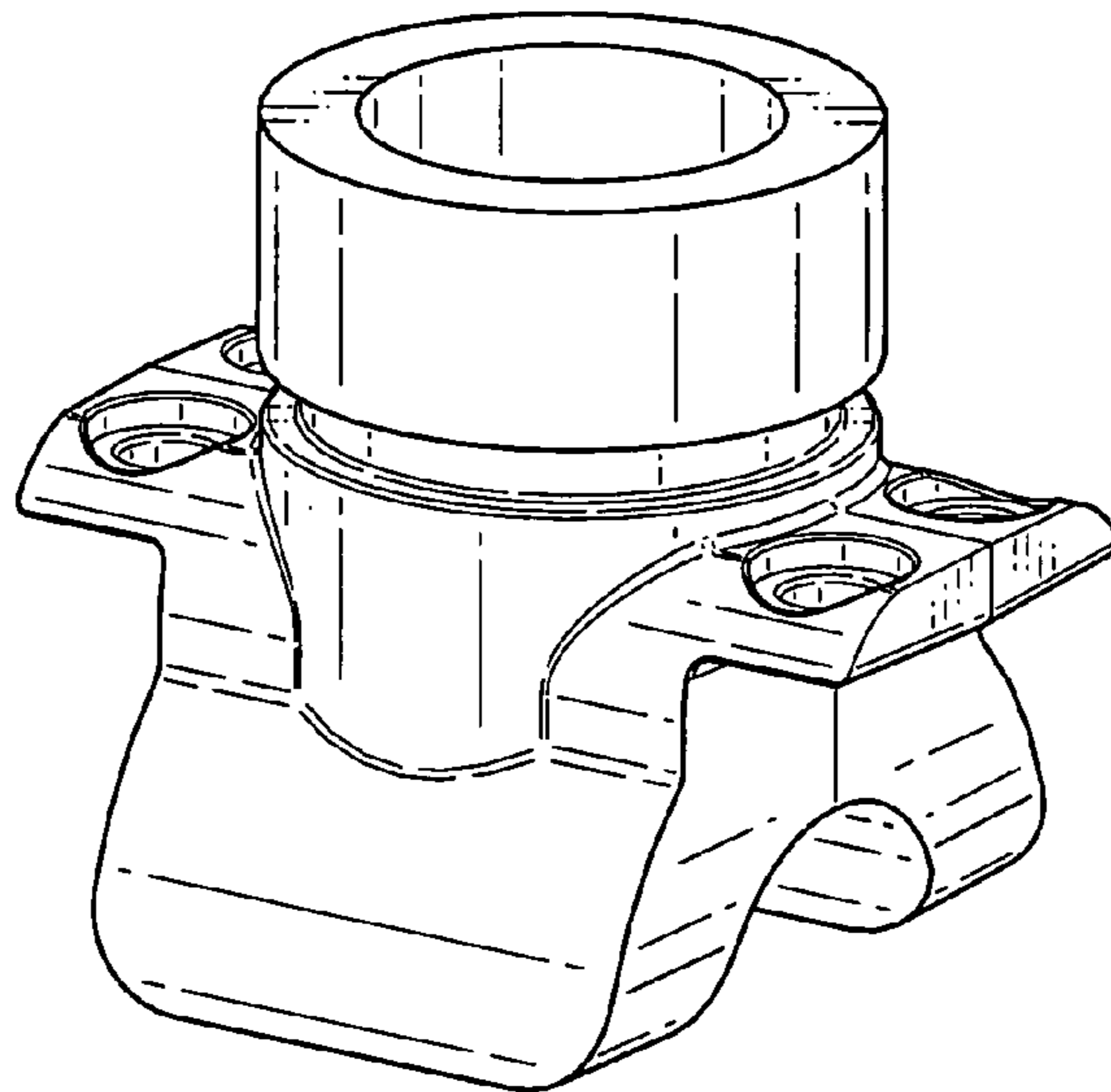
*FIG. 4*



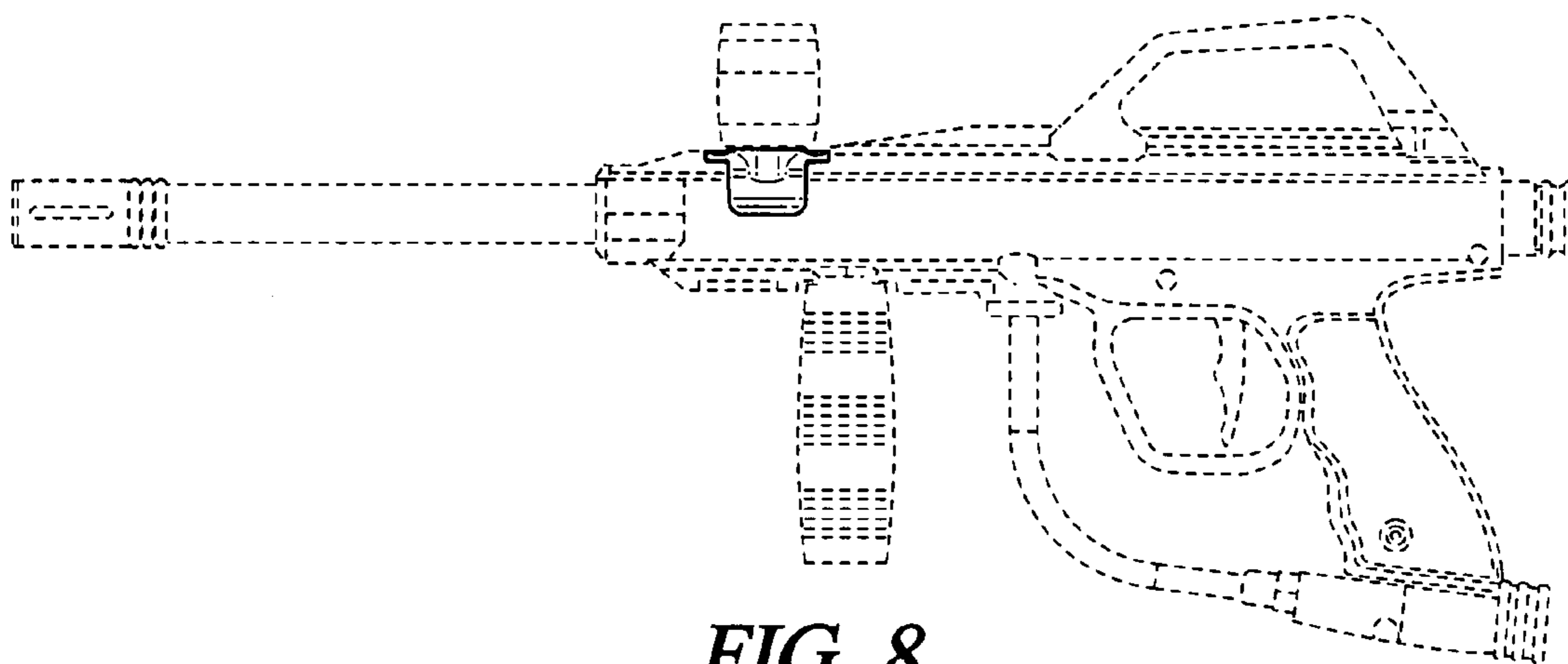
*FIG. 5*



*FIG. 6*



*FIG. 7*



*FIG. 8*