



US00D566791S

(12) **United States Design Patent**  
**Broersma**

(10) **Patent No.:** **US D566,791 S**

(45) **Date of Patent:** **\*\* Apr. 15, 2008**

(54) **SLANTED TOP MOUNT FEEDNECK**

(75) **Inventor:** **Lester V. Broersma**, San Diego, CA  
(US)

(73) **Assignee:** **JT Sports, LLC**, Beutonville, AR (US)

(\*\*) **Term:** **14 Years**

(21) **Appl. No.:** **29/259,620**

(22) **Filed:** **May 11, 2006**

(51) **LOC (8) Cl.** ..... **21-01**

(52) **U.S. Cl.** ..... **D21/573**

(58) **Field of Classification Search** ..... D21/567,  
D21/570-575; D22/100, 101, 103, 104,  
D22/108, 109; 124/41.1, 45, 49, 51.1, 55,  
124/56, 69, 70-74, 79

See application file for complete search history.

(56) **References Cited**

**U.S. PATENT DOCUMENTS**

1,743,576 A	1/1930	Smith	
3,089,476 A	5/1963	Wolverton	124/11
4,936,282 A	6/1990	Dobbins et al.	124/74
5,063,905 A	11/1991	Farrell	124/72
5,228,427 A	7/1993	Gardner, Jr.	124/71
5,282,454 A	2/1994	Bell et al.	124/49
5,370,105 A	12/1994	Firman	124/56
5,462,042 A	10/1995	Greenwell	124/76
5,503,137 A	4/1996	Fusco	124/72
5,613,483 A	3/1997	Lukas et al.	124/73
5,736,720 A	4/1998	Bell et al.	235/1
5,878,736 A	3/1999	Lotuaco, III	124/71
5,881,707 A	3/1999	Gardner, Jr.	124/77
5,967,133 A	10/1999	Gardner, Jr.	124/77
6,003,504 A	12/1999	Rice et al.	124/73
6,015,058 A	1/2000	Parks	220/229
6,035,843 A	3/2000	Smith et al.	124/77
6,065,460 A	5/2000	Lotuaco, III	124/72
6,138,656 A	10/2000	Rice et al.	124/73
6,142,137 A	11/2000	MacLaughlin	124/72
6,349,711 B1	2/2002	Perry et al.	124/73
6,374,819 B1 *	4/2002	Ming-Hsien	124/49
6,408,836 B1 *	6/2002	Ming-Hsien	124/49
6,439,217 B1	8/2002	Shih	124/77

6,474,326 B1	11/2002	Smith et al.	124/77
6,532,946 B1 *	3/2003	Paquette	124/49
6,532,949 B1	3/2003	McKendrick	124/77
6,553,983 B1	4/2003	Li	124/73
6,590,386 B1	7/2003	Williams	324/178
6,739,322 B2	5/2004	Rice et al.	124/49
6,742,512 B1 *	6/2004	Ho et al.	124/49
6,763,822 B1	7/2004	Styles	124/77
6,802,306 B1	10/2004	Rice	124/74
6,923,170 B2 *	8/2005	Ho et al.	124/49
6,973,748 B2	12/2005	Rice	42/69.01
2002/0083936 A1 *	7/2002	Ming-Hsien	124/49
2004/0011344 A1	1/2004	Rice et al.	124/73
2004/0074489 A1	4/2004	Neumaster et al.	124/79
2006/0060177 A1 *	3/2006	Shih	124/73

\* cited by examiner

*Primary Examiner*—Holly H. Baynham

*Assistant Examiner*—Cynthia M. Chin

(74) *Attorney, Agent, or Firm*—Keisling Pieper & Scott  
PLC; David B. Pieper; Trent C. Keisling

(57) **CLAIM**

The ornamental design for a slanted top mount feedneck, as shown and described.

**DESCRIPTION**

FIG. 1 is a top view of a slanted top mount feedneck showing my new design;

FIG. 2 is a back view thereof;

FIG. 3 is a left side view thereof;

FIG. 4 is a front view thereof;

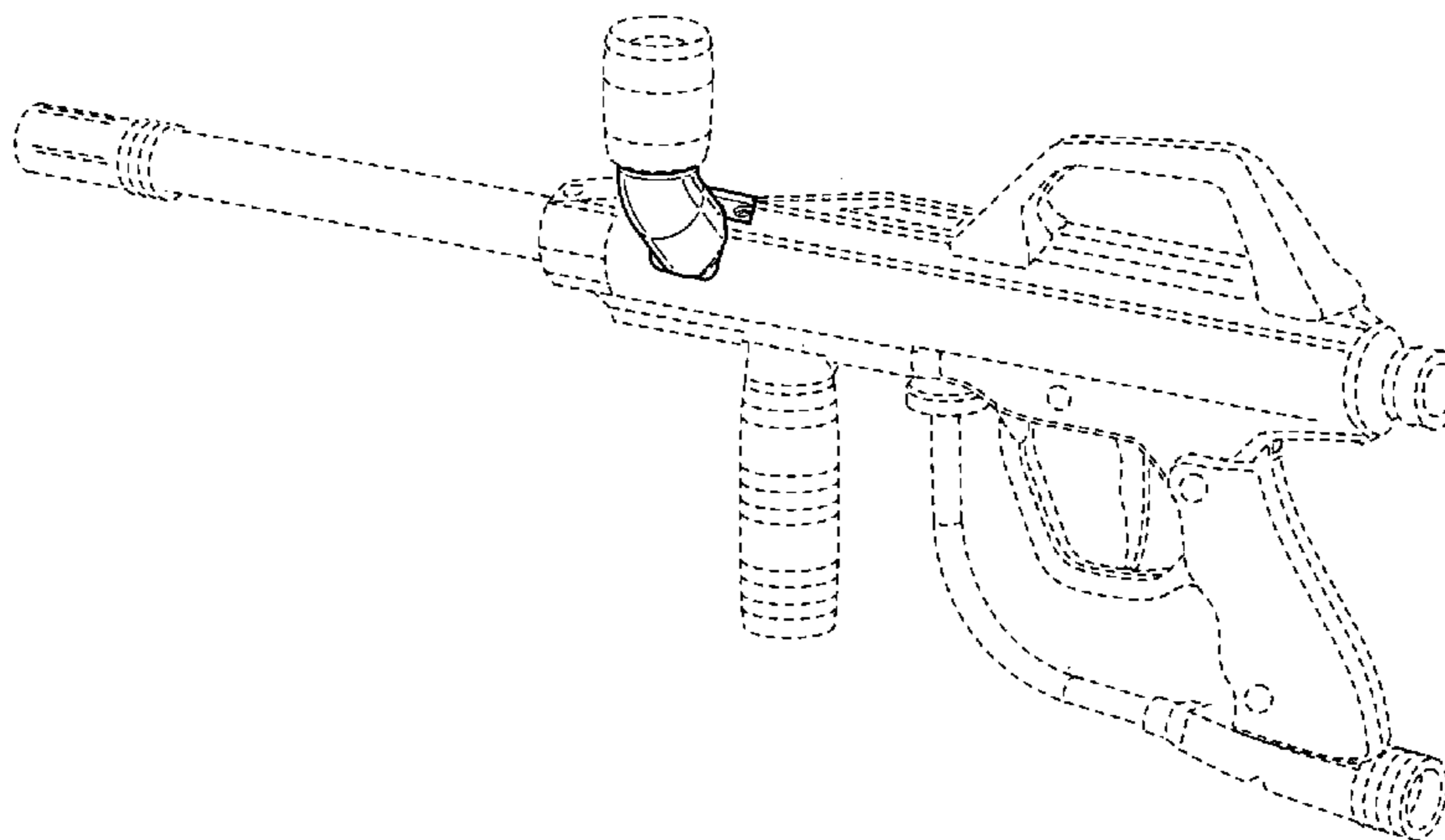
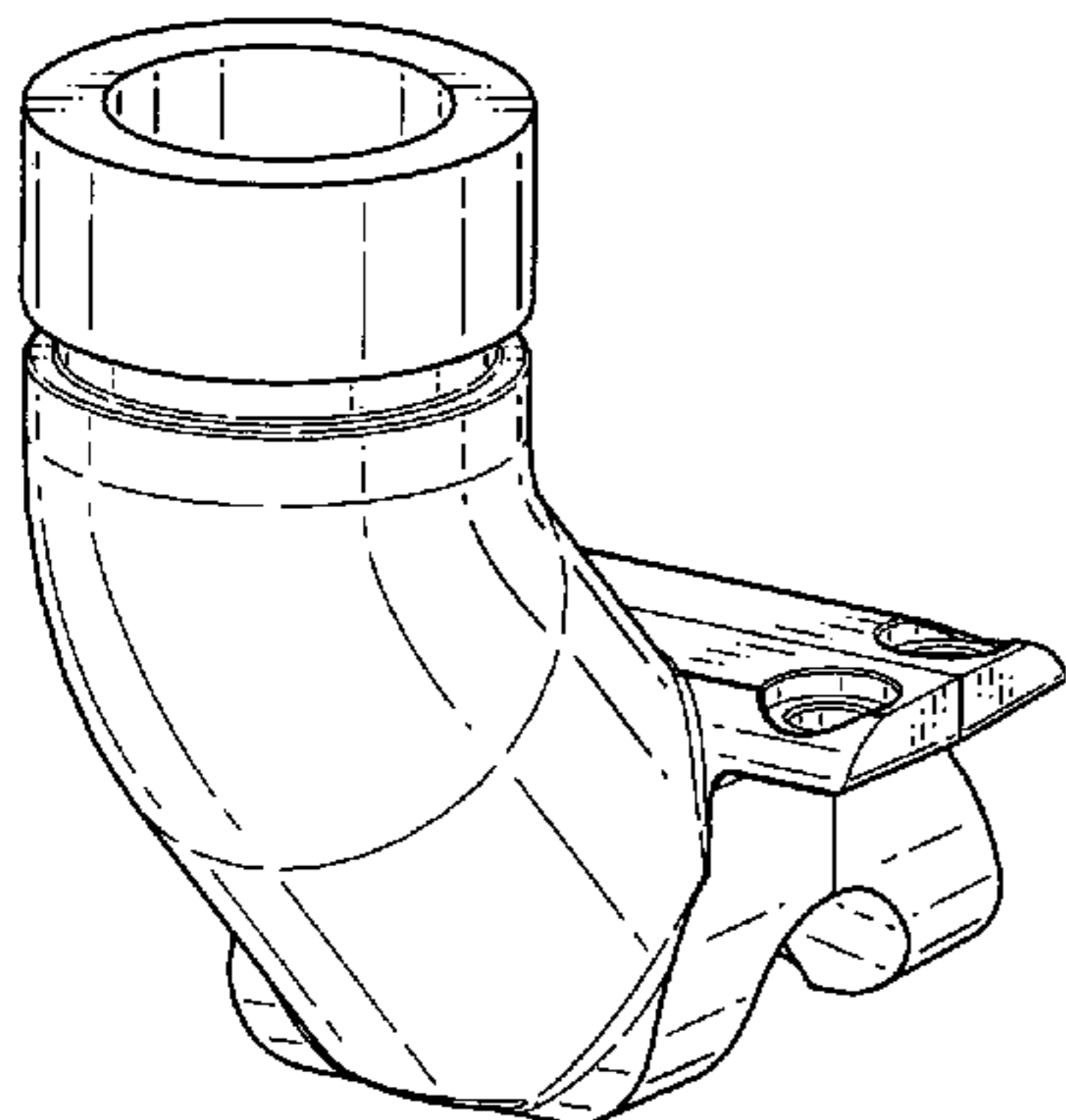
FIG. 5 is a right side view thereof;

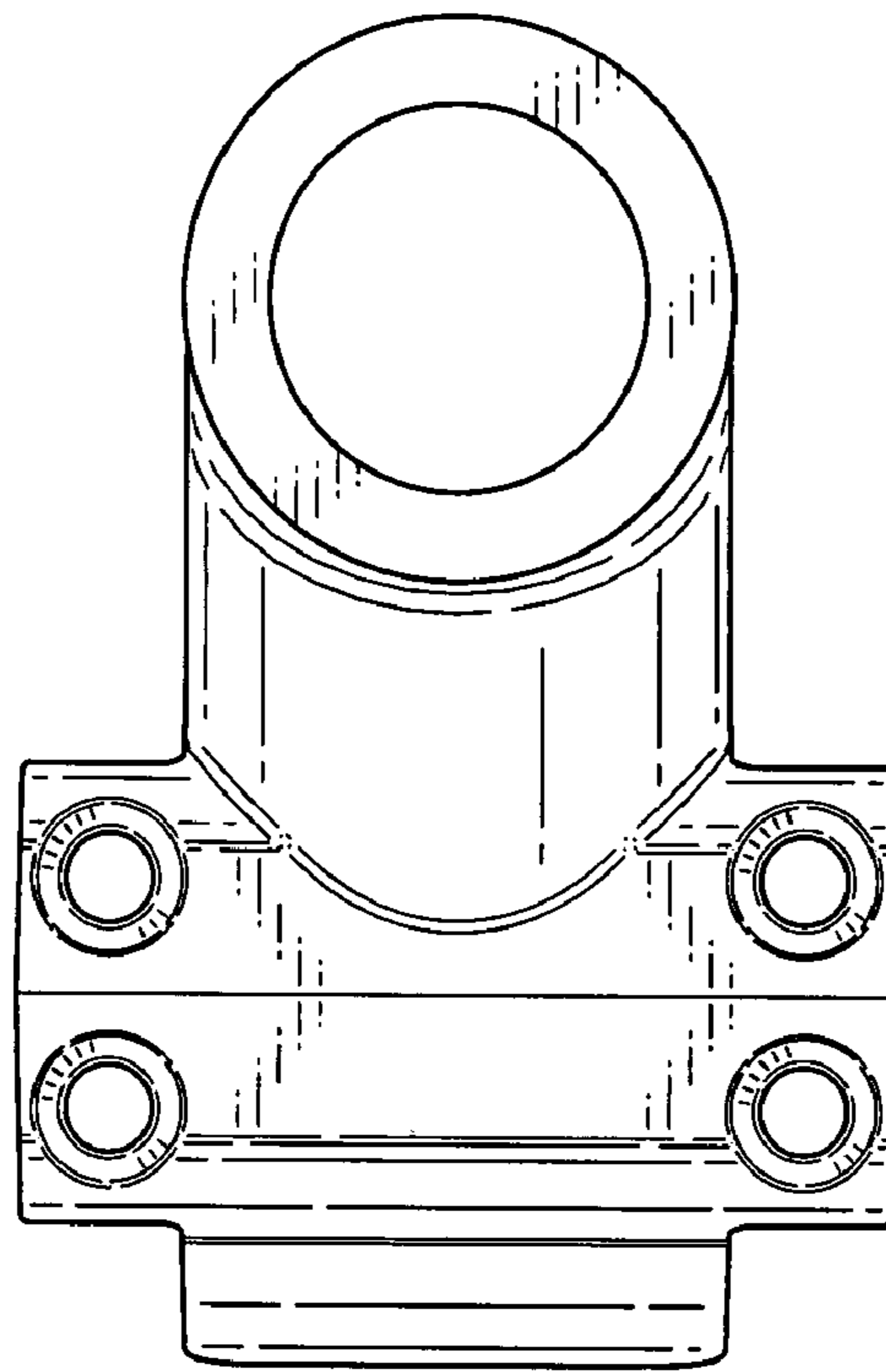
FIG. 6 is a bottom view thereof;

FIG. 7 is an isometric view thereof; and,

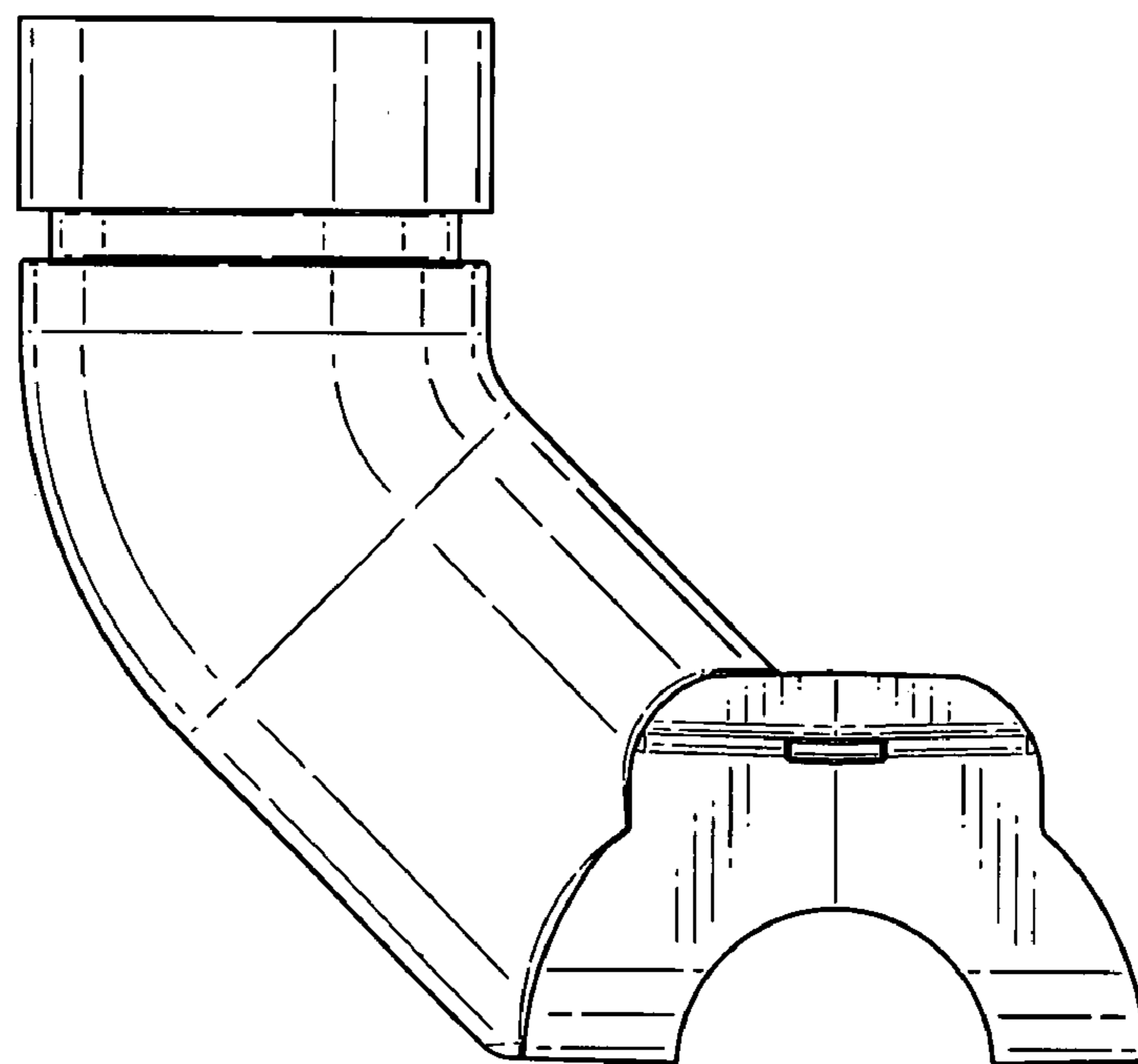
FIG. 8 is a reduced environmental view thereof showing the feedneck connected to a paintball marker in a left side orientation with a grip connected to the upper part of the feedneck where the broken lines in the drawings are used for illustrative purposes only such that the grip and the marker body form no part of the claimed design.

**1 Claim, 4 Drawing Sheets**

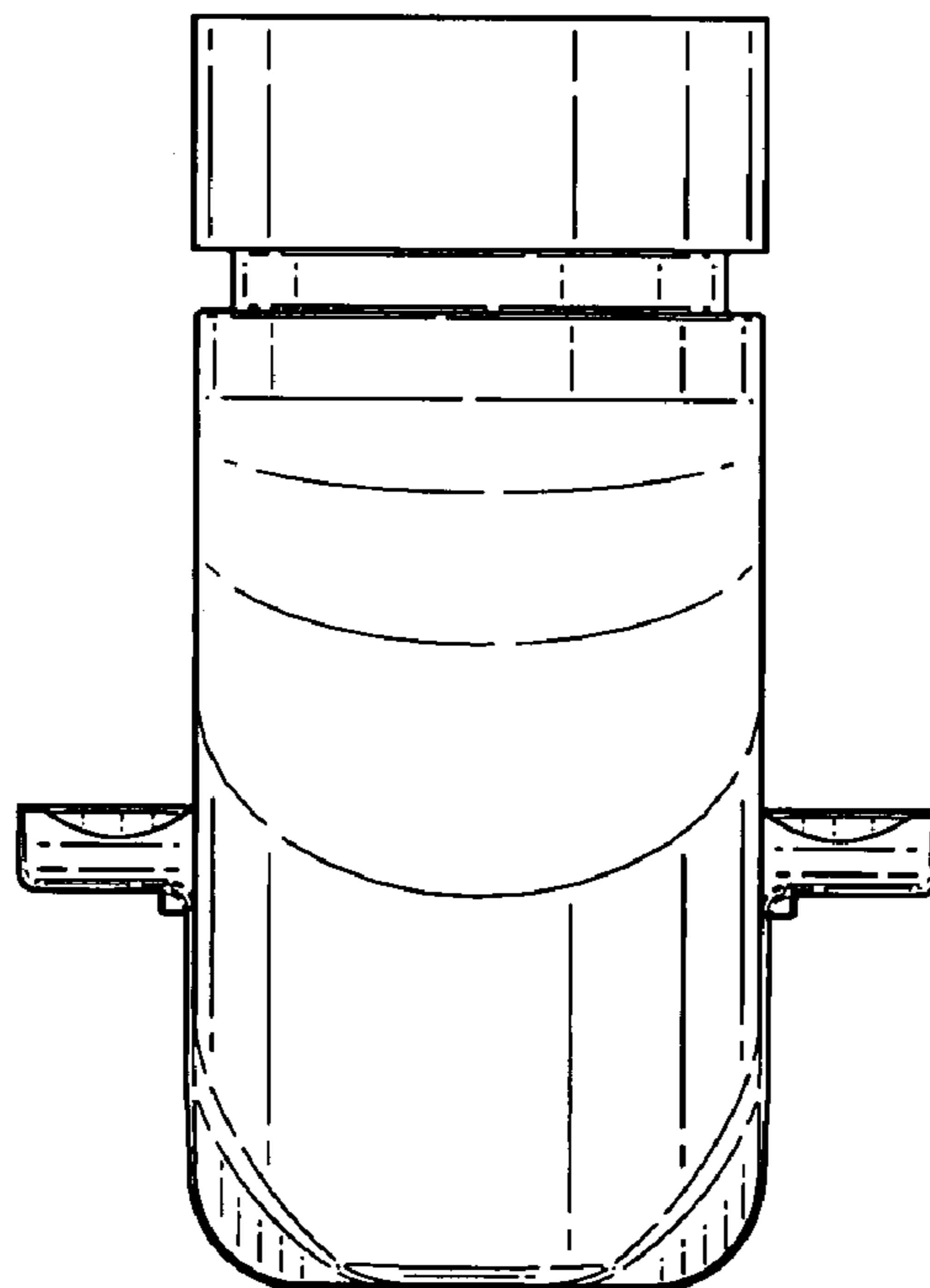




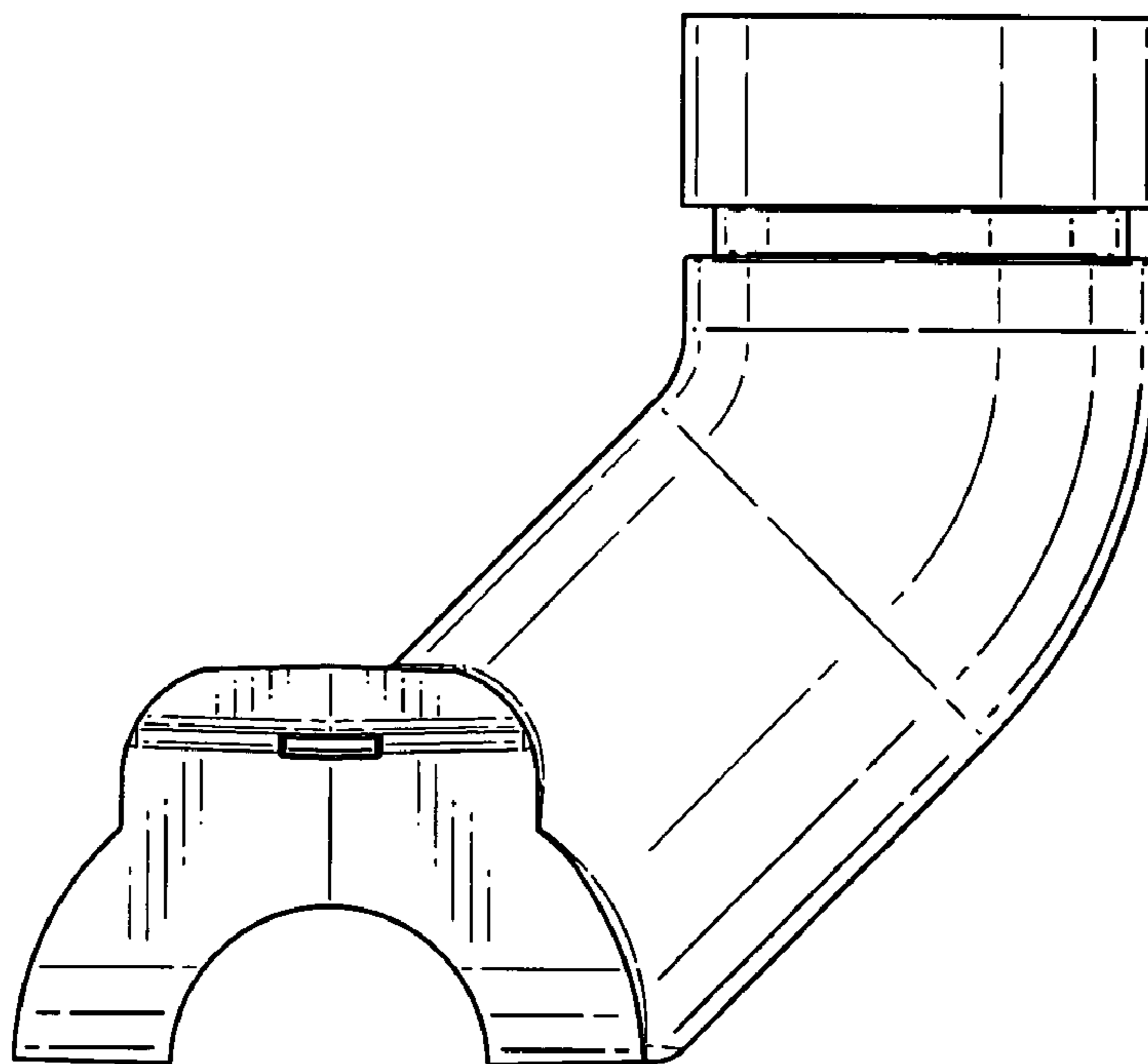
*FIG. 1*



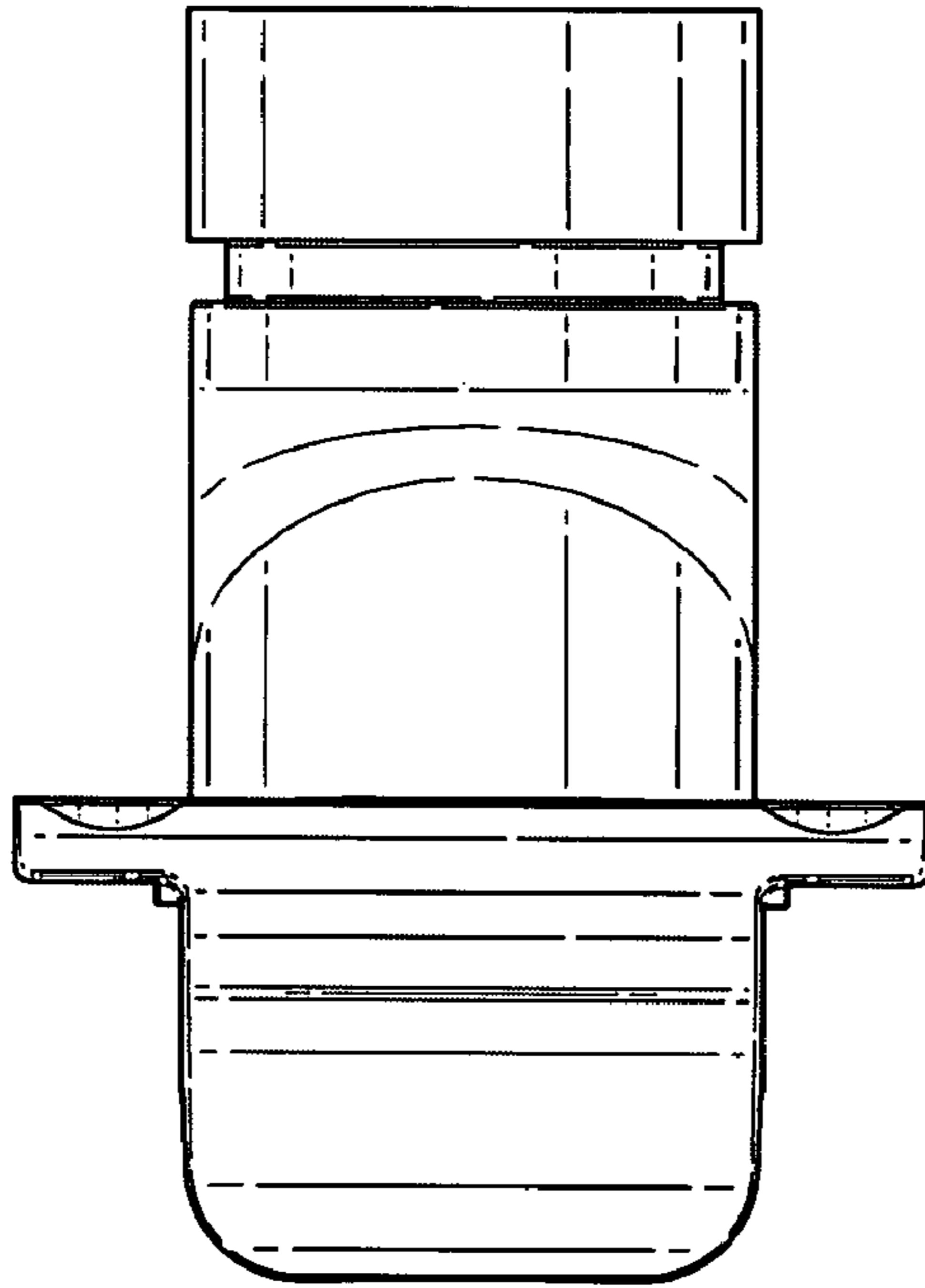
*FIG. 2*



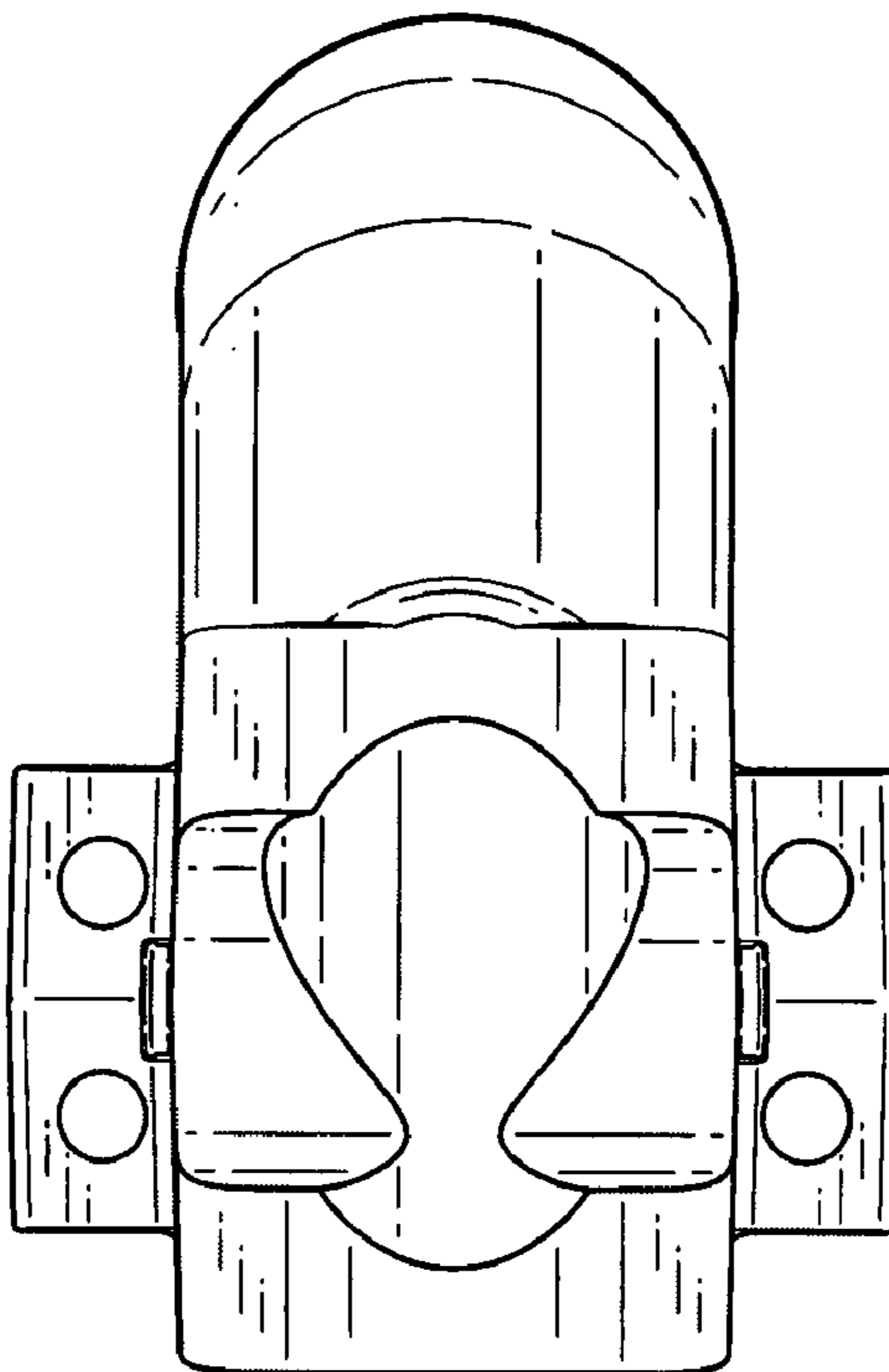
*FIG. 3*



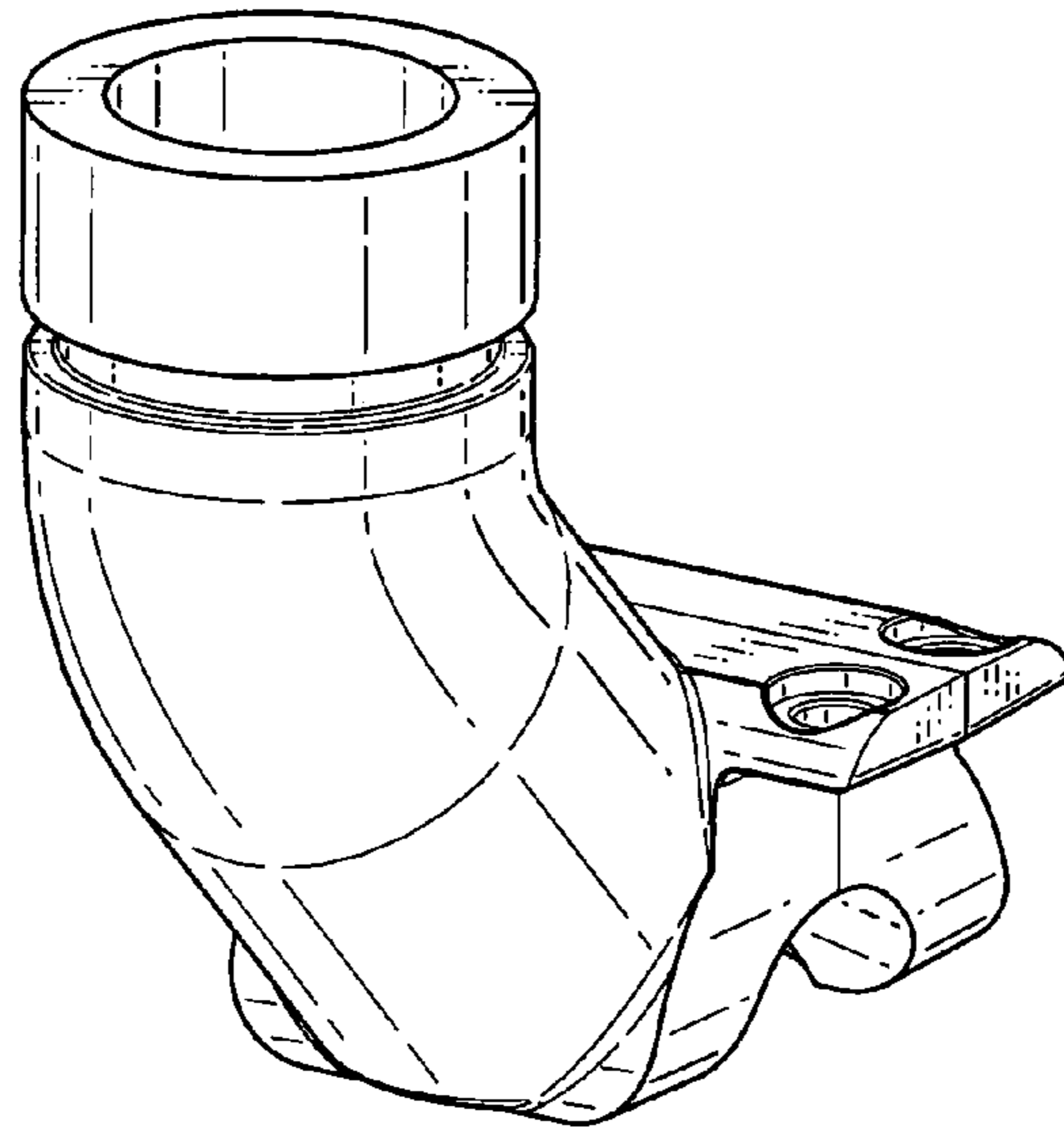
*FIG. 4*



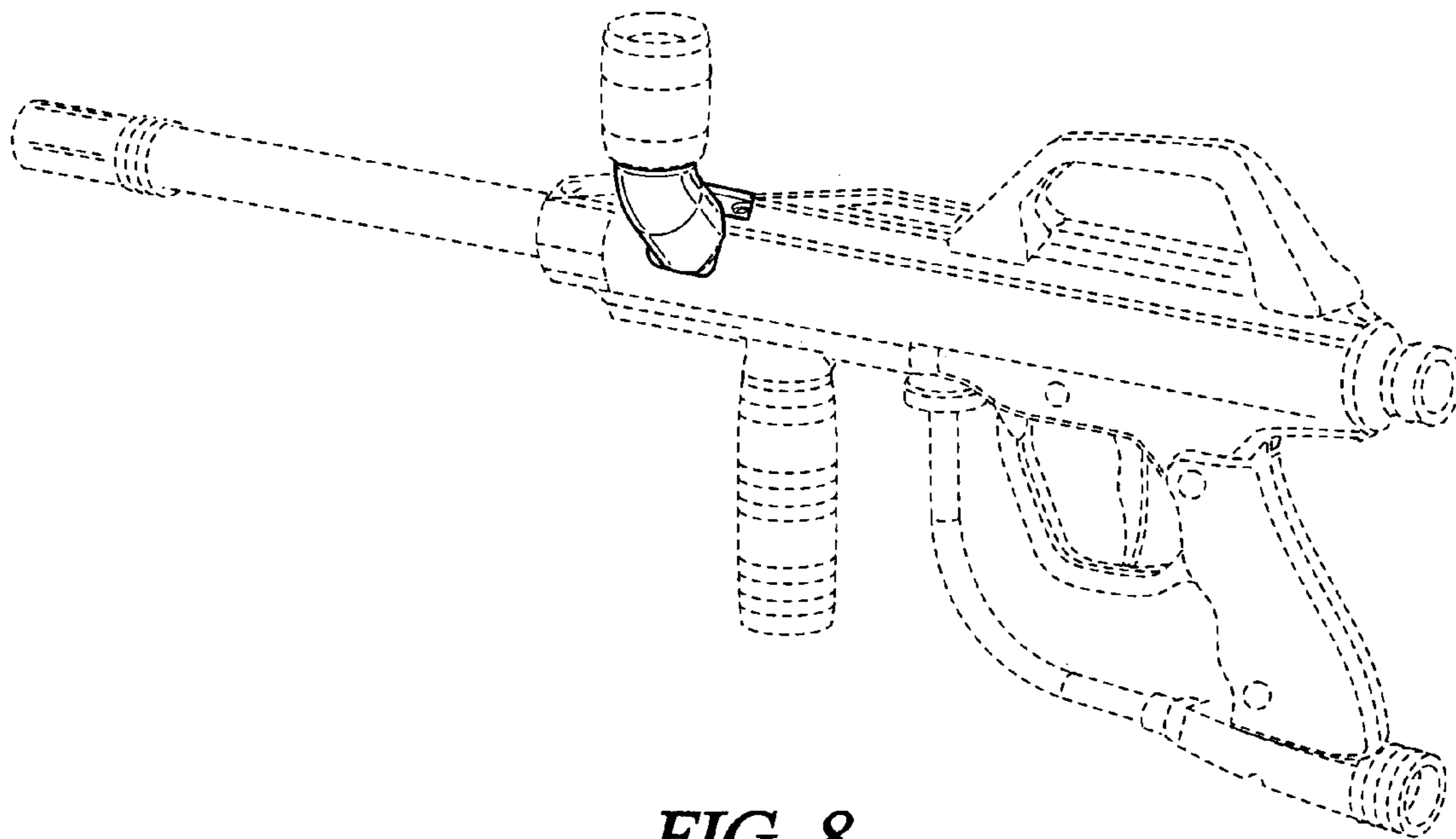
*FIG. 5*



*FIG. 6*



*FIG. 7*



*FIG. 8*