



US00D566789S

(12) **United States Design Patent**
Idiot

(10) **Patent No.:** **US D566,789 S**

(45) **Date of Patent:** **** Apr. 15, 2008**

(54) **BODY FOR A MODEL MONSTER TRUCK**

(75) Inventor: **Pak Chi Chun Idiot**, Chai Wan (HK)

(73) Assignee: **Unimax Toys Limited**, Kowloon (HK)

(**) Term: **14 Years**

(21) Appl. No.: **29/279,217**

(22) Filed: **Apr. 23, 2007**

(51) **LOC (8) Cl.** **21-01**

(52) **U.S. Cl.** **D21/552; D21/562**

(58) **Field of Classification Search** D21/548,
D21/550, 552, 554, 556, 559, 561, 562, 433,
D21/434; D12/82, 86, 88, 90, 92, 93, 98;
446/465, 466, 470, 431, 448, 454, 456
See application file for complete search history.

(56) **References Cited**

U.S. PATENT DOCUMENTS

D275,873 S *	10/1984	Manning et al.	D21/548
D281,000 S *	10/1985	Kuna et al.	D21/559
D289,909 S *	5/1987	Bollinger et al.	D21/548
5,102,367 A *	4/1992	Mullaney et al.	446/448
D425,141 S *	5/2000	Park	D21/550
D550,311 S *	9/2007	Chen	D21/548

* cited by examiner

Primary Examiner—Holly H. Baynham

Assistant Examiner—Cynthia M. Chin

(74) *Attorney, Agent, or Firm*—Michael Best & Friedrich LLP

(57) **CLAIM**

The ornamental design for a body for a model monster truck, as shown.

DESCRIPTION

FIG. 1 is a perspective view of the body for a model monster truck;

FIG. 2 is a top plan view of the body for a model monster truck;

FIG. 3 is a bottom plan view of the body for a model monster truck;

FIG. 4 is a left side elevation view of the body for a model monster truck;

FIG. 5 is a right side elevation view of the body for a model monster truck;

FIG. 6 is a front elevation view of the body for a model monster truck; and,

FIG. 7 is a back elevation view of the body for a model monster truck.

1 Claim, 7 Drawing Sheets

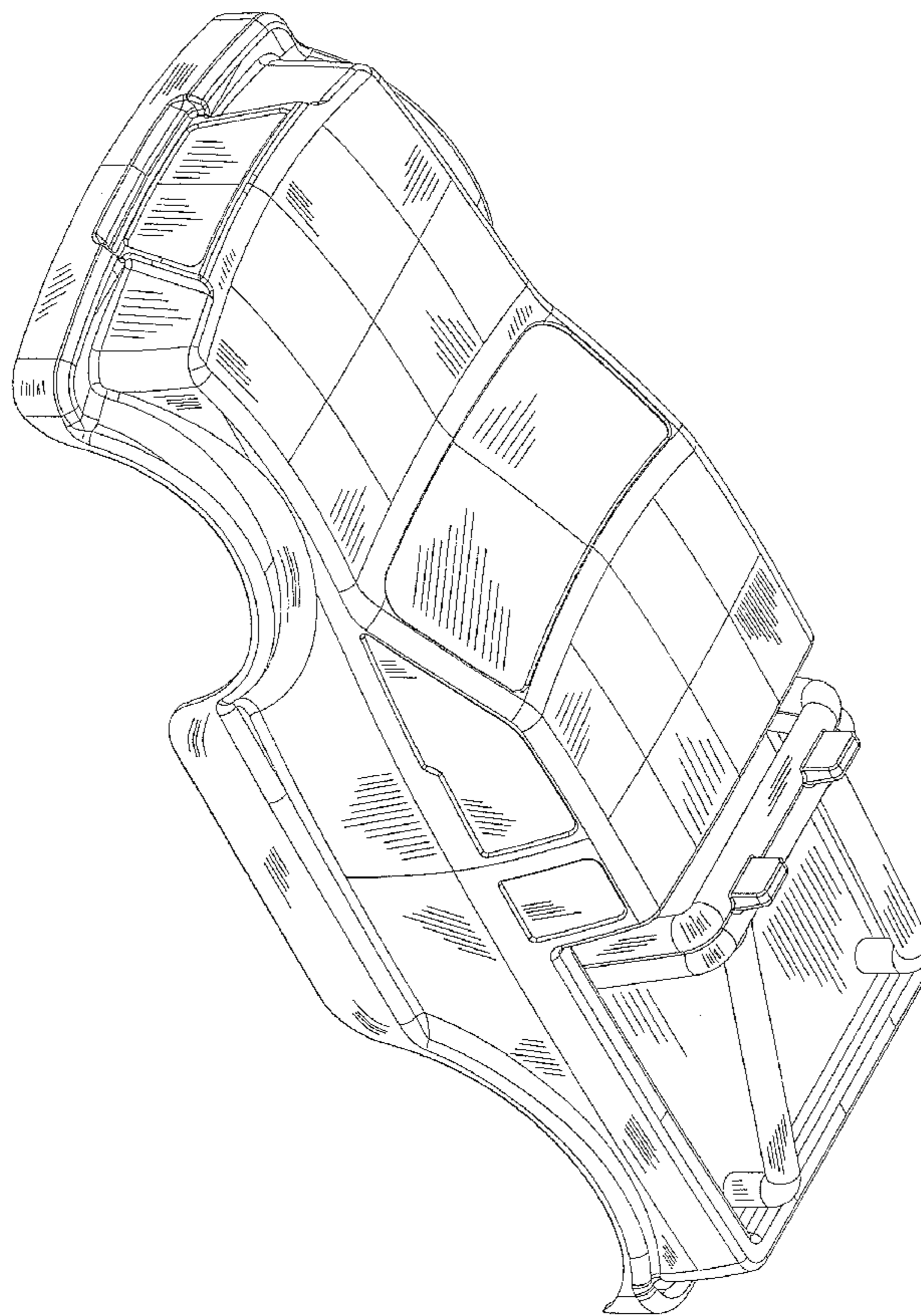


FIG. 1

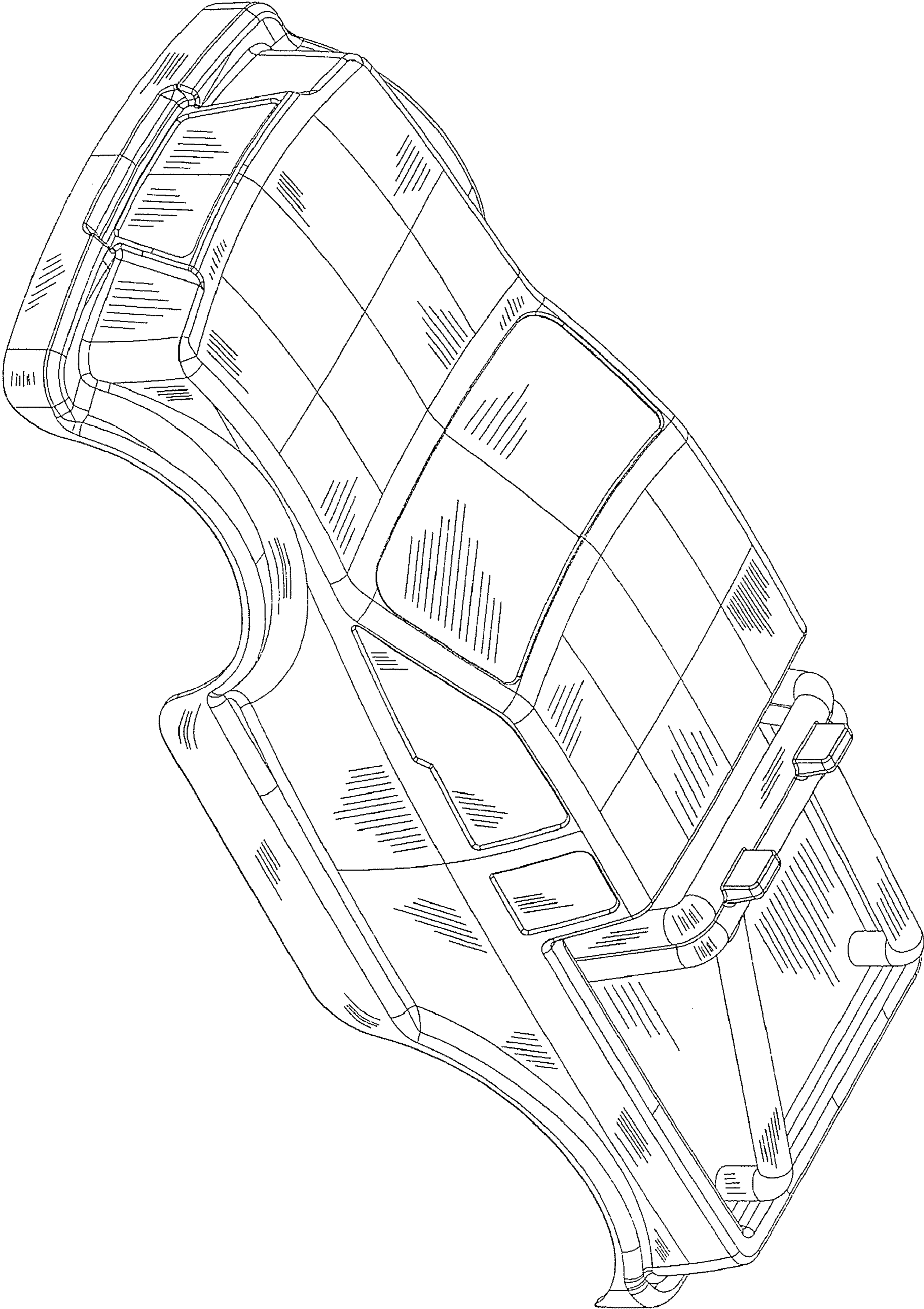


FIG.2

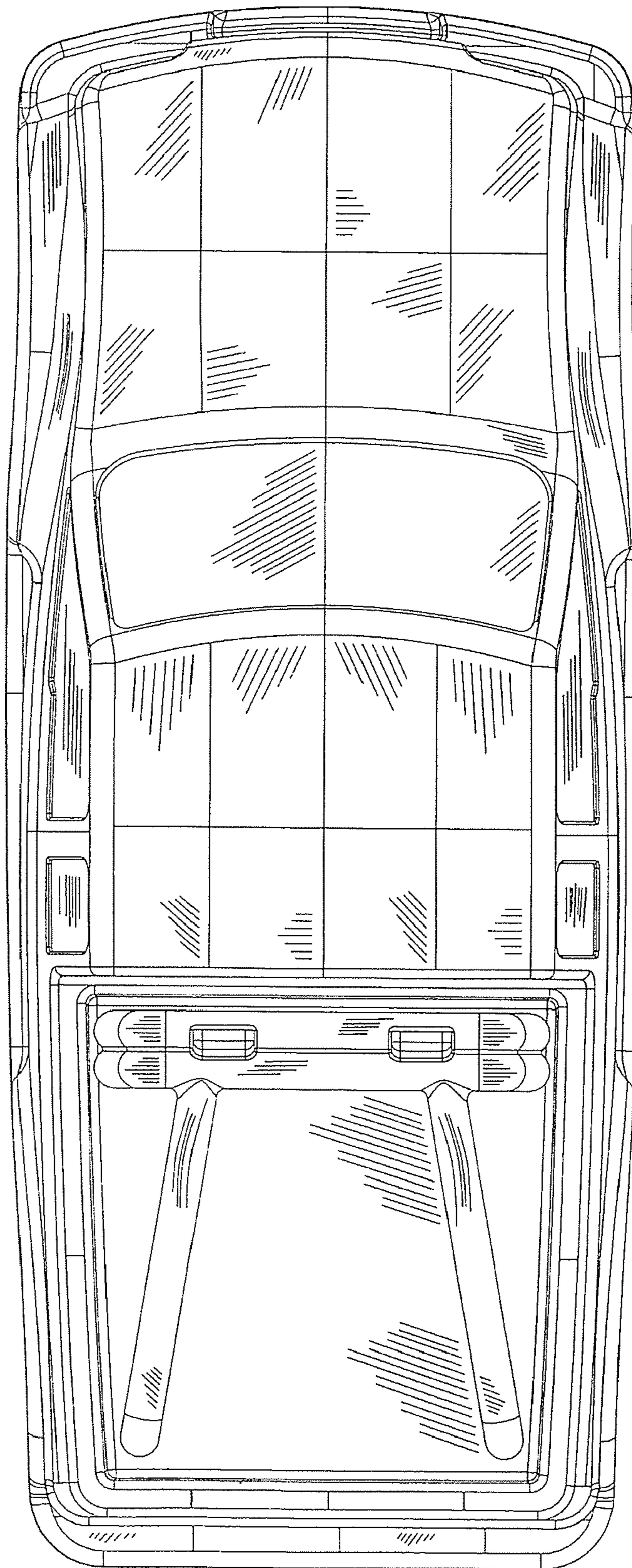


FIG.3

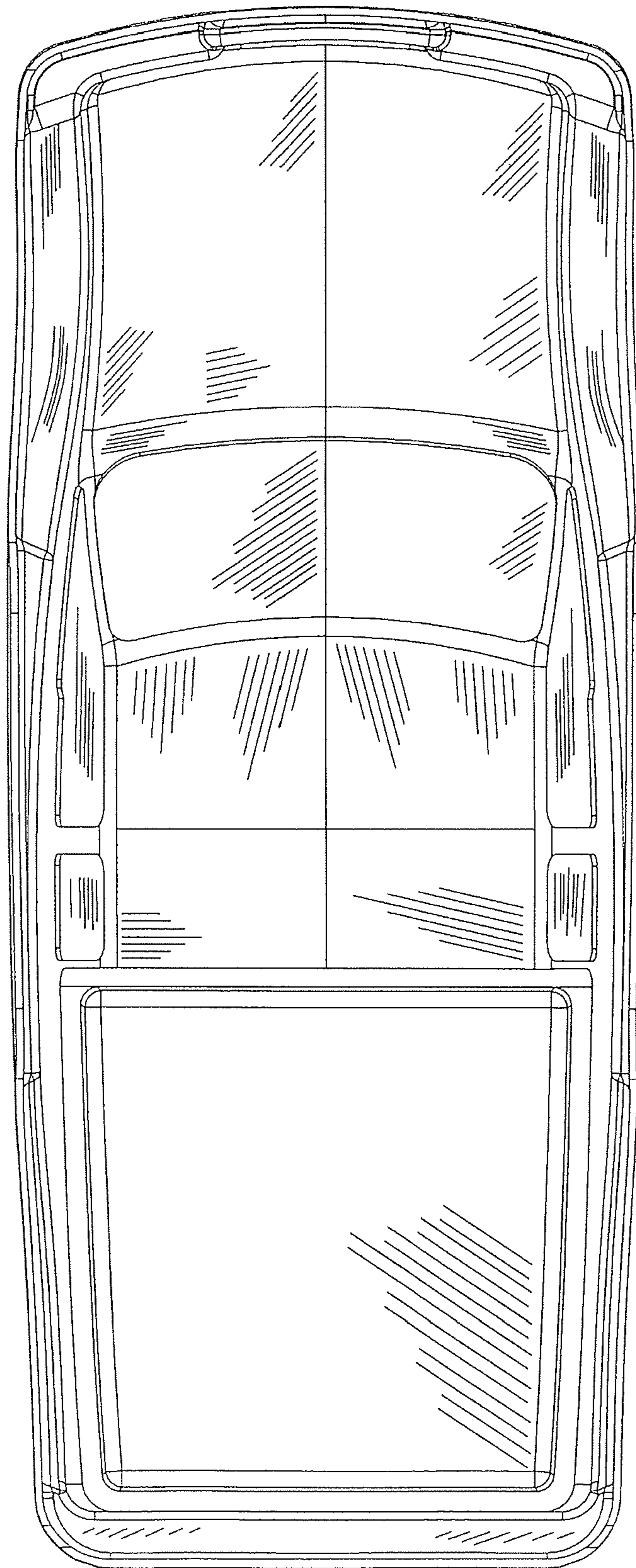


FIG.4

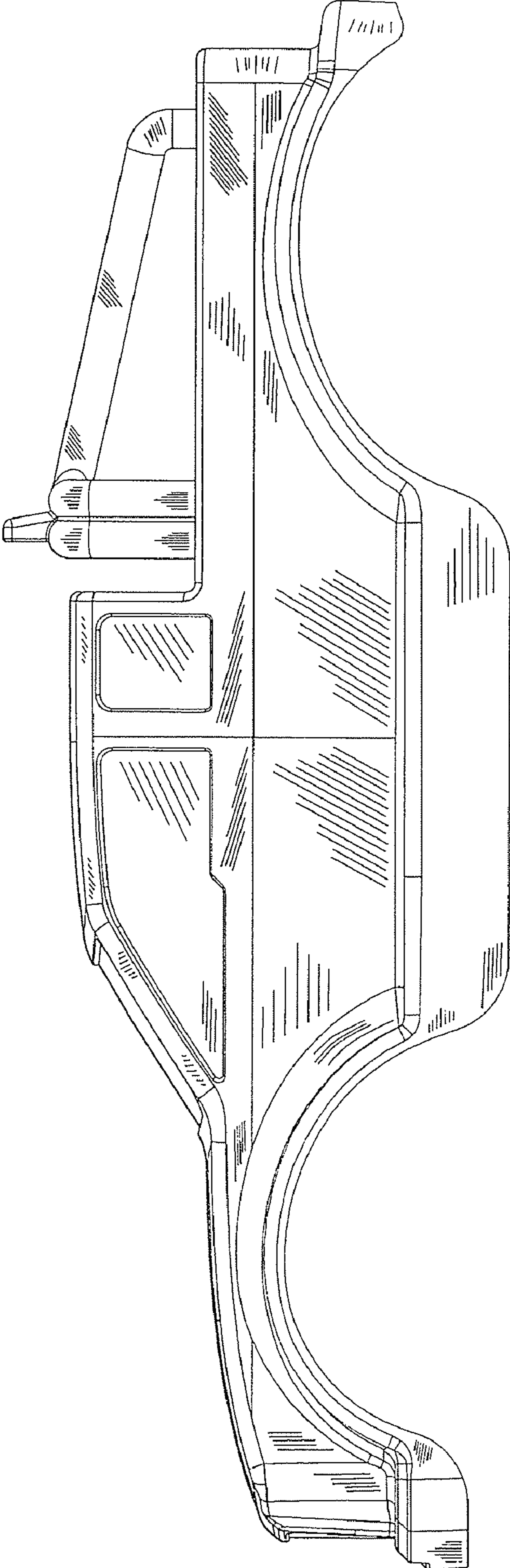


FIG. 5

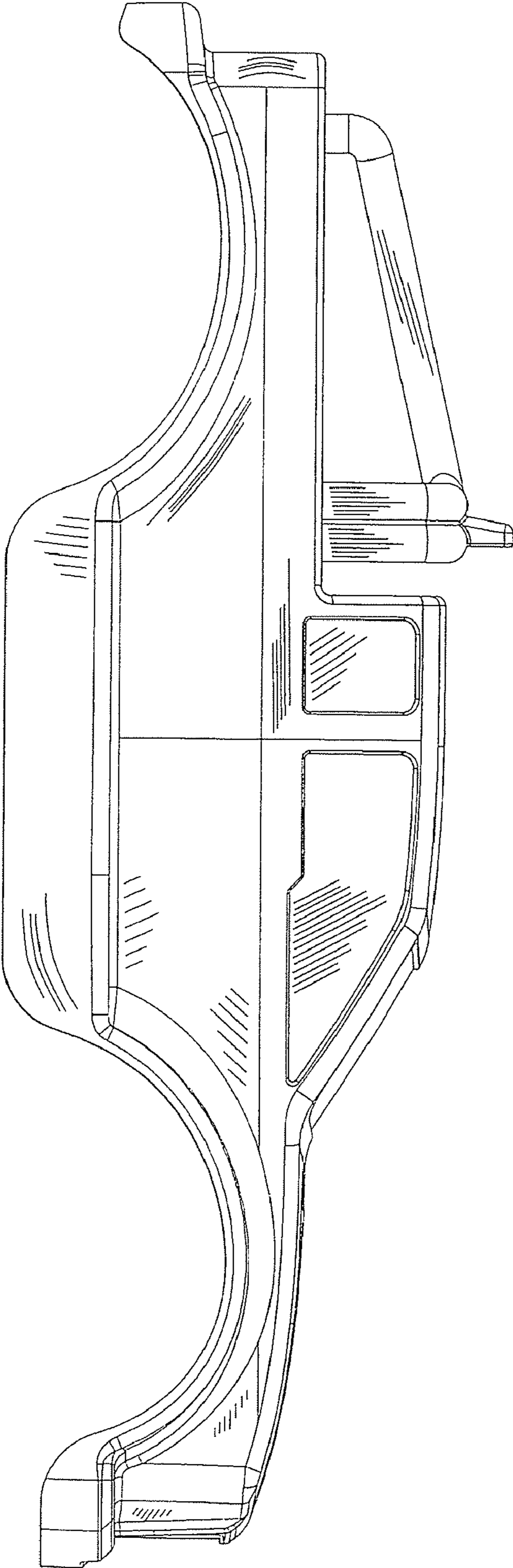
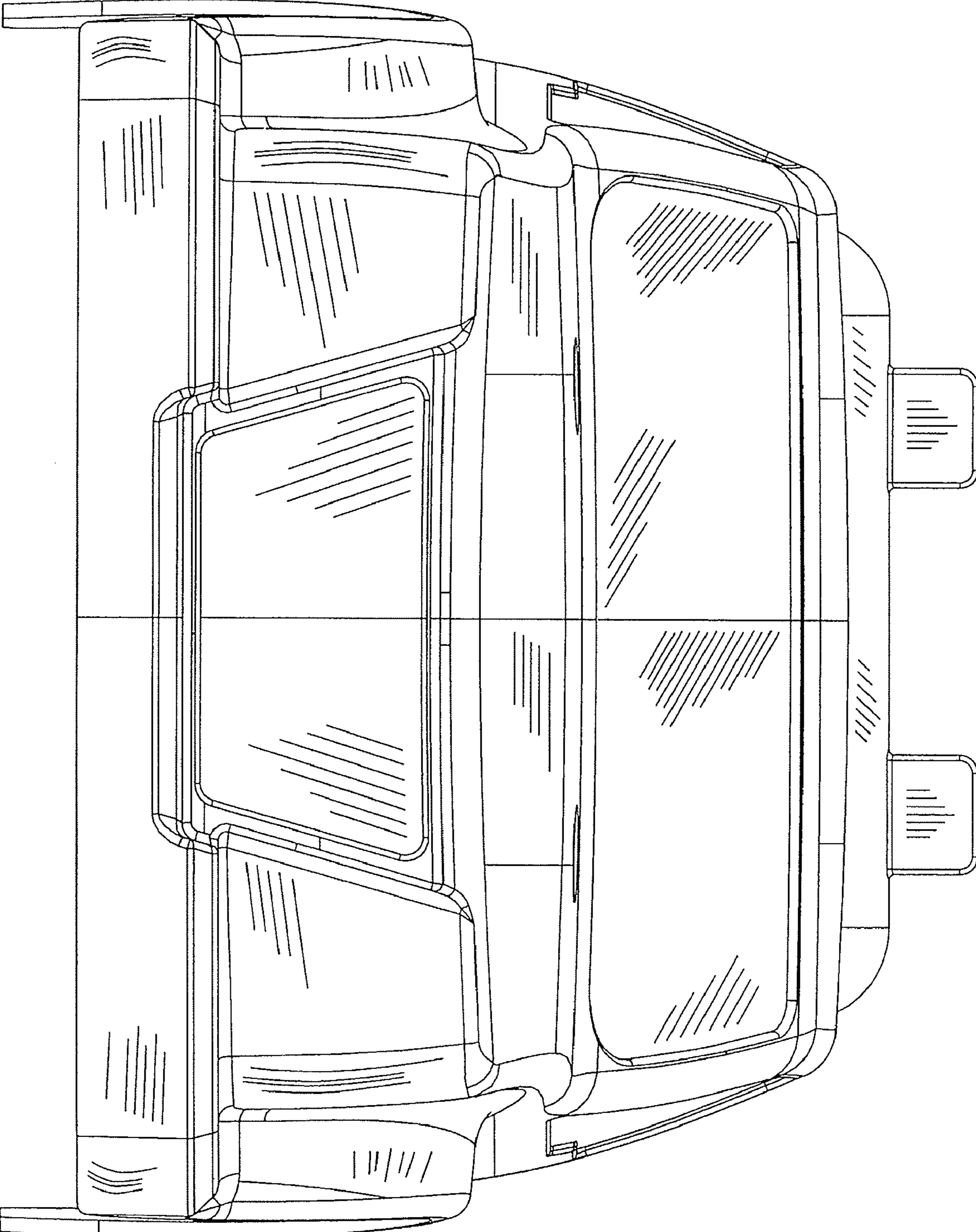


FIG.6



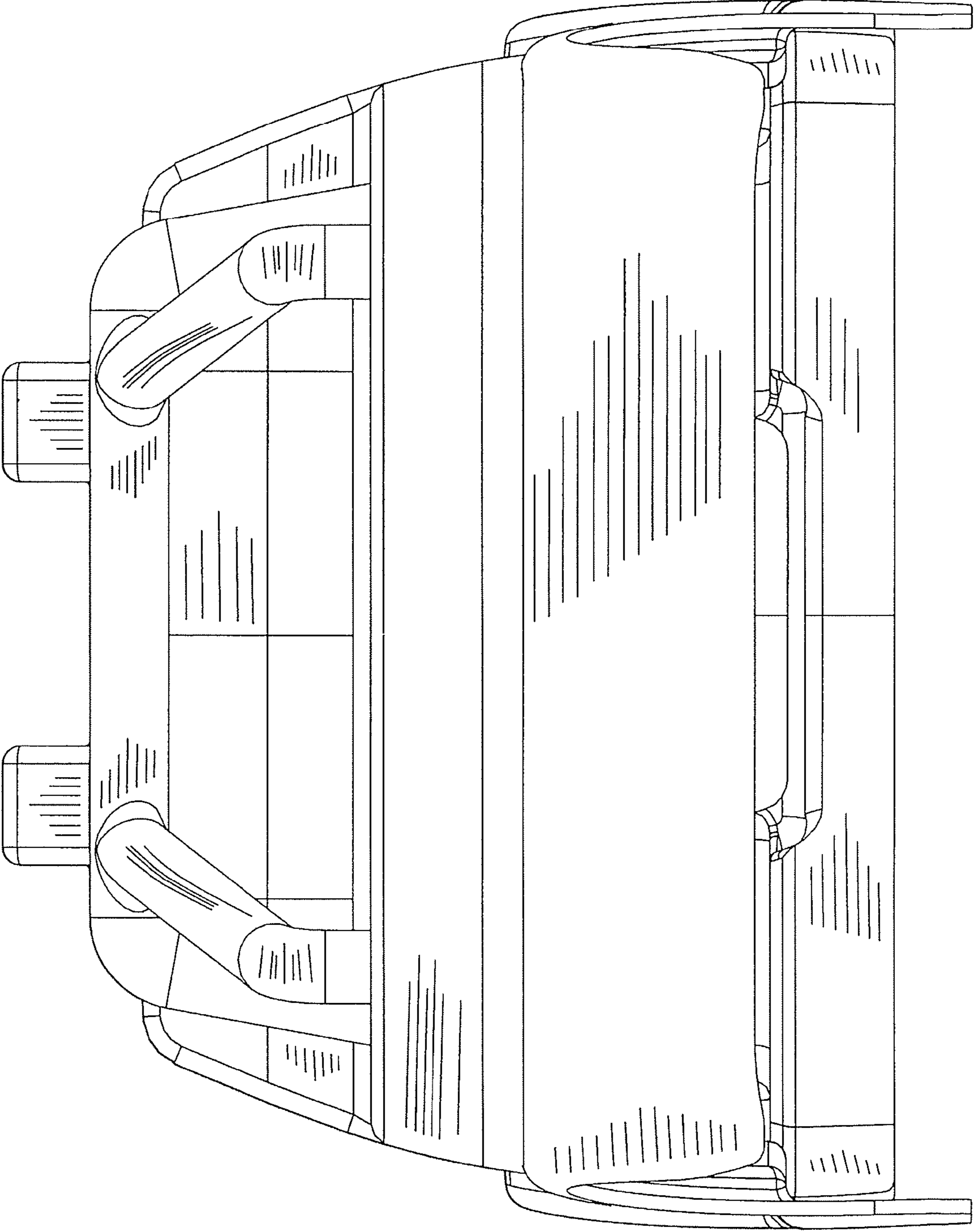


FIG.7