



US00D566788S

(12) **United States Design Patent**  
**Pasko**

(10) **Patent No.:** **US D566,788 S**  
(45) **Date of Patent:** **\*\* Apr. 15, 2008**

- (54) **TRANSFORMING TOY VEHICLE**
- (75) Inventor: **Kevin Pasko**, Redondo Beach, CA (US)
- (73) Assignee: **Mattel, Inc.**, El Segundo, CA (US)
- (\*\*) Term: **14 Years**
- (21) Appl. No.: **29/275,730**
- (22) Filed: **Jan. 4, 2007**
- (51) **LOC (8) Cl.** ..... **21-01**
- (52) **U.S. Cl.** ..... **D21/533**
- (58) **Field of Classification Search** ..... D21/398,  
D21/533, 548, 560, 578–581; 446/154, 164,  
446/231, 233, 236–242, 265, 266, 273, 409,  
446/431–437, 450–458, 460–765; 280/208  
See application file for complete search history.

(56) **References Cited**  
U.S. PATENT DOCUMENTS

2,104,636	A	1/1938	Burcham
2,372,043	A	3/1945	Aghnides
D145,050	S	6/1946	Arnold
2,949,697	A	8/1960	Licitis et al.
3,312,013	A	4/1967	Graves
3,327,796	A	6/1967	Hanmer
3,500,725	A	3/1970	Bryer
3,555,725	A	1/1971	Orfei et al.
3,667,156	A	6/1972	Tomiyama et al.
3,722,134	A	3/1973	Merrill et al.
3,733,739	A	5/1973	Terzian
3,746,117	A	7/1973	Alred
3,798,835	A	3/1974	McKeehan
3,893,707	A	7/1975	Samsel

(Continued)

OTHER PUBLICATIONS

MATTEL, *Mattel 2003 Catalogue*, 2 pages (cover and p. 124).

*Primary Examiner*—Holly H. Baynham  
*Assistant Examiner*—Cynthia M. Chin

(74) *Attorney, Agent, or Firm*—Panitch Schwarze Belisario & Nadel LLP

(57) **CLAIM**

The ornamental design for a transforming toy vehicle, as shown and described.

**DESCRIPTION**

FIG. 1 is a perspective view of the front and right side of a transforming toy vehicle in a first configuration in accordance with the new design;

FIG. 2 is a front elevation view thereof;

FIG. 3 is a rear elevation view thereof;

FIG. 4 is an elevation view of the right side thereof;

FIG. 5 is an elevation view of the left side thereof;

FIG. 6 is a top plan view thereof;

FIG. 7 is a bottom plan view thereof;

FIG. 8 is a perspective view of the front and right side of a transforming toy vehicle in a second configuration in accordance with the new design;

FIG. 9 is a front elevation view thereof;

FIG. 10 is a rear elevation view thereof;

FIG. 11 is an elevation view of the right side thereof;

FIG. 12 is an elevation view of the left side thereof;

FIG. 13 is a top plan view thereof;

FIG. 14 is a bottom plan view thereof;

FIG. 15 is a perspective view of the front and right of a transforming toy vehicle in a third configuration in accordance with the new design;

FIG. 16 is a front elevation view thereof;

FIG. 17 is a rear elevation view thereof;

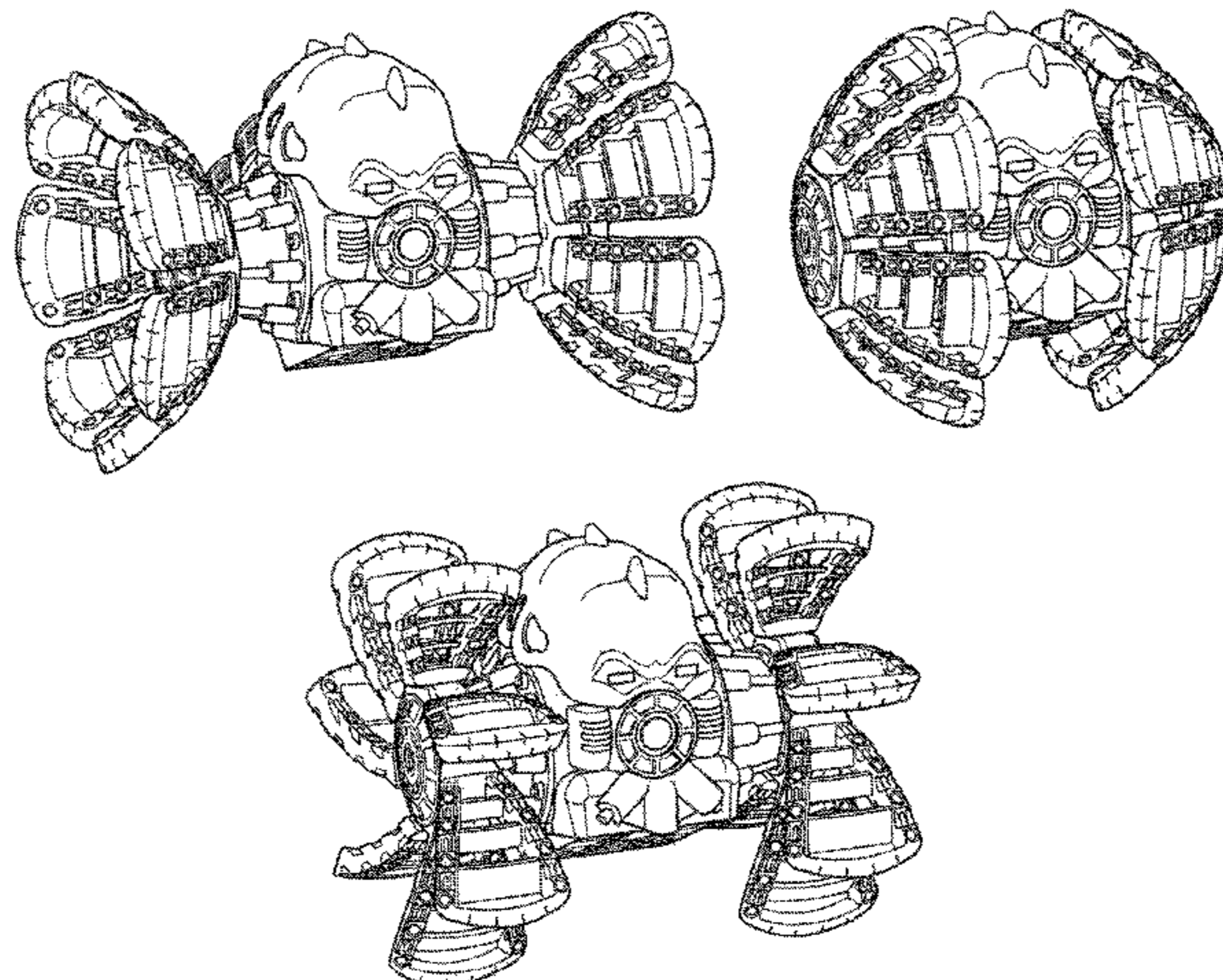
FIG. 18 is an elevation view of the right side thereof;

FIG. 19 is an elevation view of the left side thereof;

FIG. 20 is a top plan view thereof; and,

FIG. 21 is a bottom plan view thereof.

**1 Claim, 18 Drawing Sheets**



# US D566,788 S

## U.S. PATENT DOCUMENTS

4,057,929	A	11/1977	Ogawa	5,618,219	A	4/1997	Simone et al.
4,300,308	A	11/1981	Ikeda	5,667,420	A *	9/1997	Menow et al. .... 446/433
D262,224	S	12/1981	Aoki	5,692,946	A *	12/1997	Ku ..... 446/456
4,310,987	A	1/1982	Chieffo	5,769,441	A *	6/1998	Namngani ..... 280/208
4,386,787	A	6/1983	Maplethorpe et al.	5,797,815	A	8/1998	Goldman et al.
4,391,224	A	7/1983	Adler	D399,890	S	10/1998	Esterie et al.
4,438,588	A	3/1984	Martin	5,871,386	A *	2/1999	Bart et al. .... 446/460
4,471,567	A	9/1984	Martin	5,919,075	A *	7/1999	George et al. .... 446/437
4,501,569	A	2/1985	Clark, Jr. et al.	D414,517	S	9/1999	Norris
4,505,346	A	3/1985	Mueller	D420,403	S	2/2000	Bart
4,541,814	A	9/1985	Martin	6,024,627	A	2/2000	Tilbor et al.
4,568,306	A	2/1986	Martin	D423,602	S	4/2000	Yamazaki
4,599,077	A	7/1986	Vuillard	6,066,026	A	5/2000	Bart et al.
4,601,675	A	7/1986	Robinson	6,086,026	A	7/2000	Pearce
4,609,196	A	9/1986	Bozinovic	6,095,890	A	8/2000	George et al.
4,666,420	A	5/1987	Nagano	6,129,607	A	10/2000	Hoeting et al.
4,671,779	A	6/1987	Kurosawa	D441,407	S	5/2001	Goldman
4,674,585	A	6/1987	Barlow et al.	6,227,934	B1	5/2001	Isaksson et al.
D292,110	S	9/1987	Tamakoshi	D450,788	S	11/2001	Kawasaki
4,693,696	A	9/1987	Buck	6,439,948	B1	8/2002	Ostendorff et al.
4,726,800	A	2/1988	Kobayashi	6,458,008	B1	10/2002	Hyneman
4,773,889	A	9/1988	Rosenwinkel et al.	6,461,218	B1	10/2002	Mullaney et al.
4,892,503	A	1/1990	Kumazawa	6,475,059	B1	11/2002	Lee
4,897,070	A *	1/1990	Wagstaff ..... 446/273	6,502,657	B2	1/2003	Kerrebrock et al.
4,927,401	A	5/1990	Sonesson	6,540,583	B1	4/2003	Hoeting et al.
5,041,051	A	8/1991	Sonesson	6,648,722	B2	11/2003	Lynders et al.
5,131,882	A *	7/1992	Kiyokane ..... 446/464	6,752,684	B1	6/2004	Lee
D336,935	S	6/1993	York et al.	6,764,374	B2	7/2004	Tilbor et al.
5,439,408	A	8/1995	Wilkinson	D504,748	S	5/2005	Jager
5,487,692	A *	1/1996	Mowrer et al. .... 446/465	D529,967	S	10/2006	Bowen et al.
5,533,921	A *	7/1996	Wilkinson ..... 446/409	7,217,170	B2	5/2007	Moll et al.

\* cited by examiner

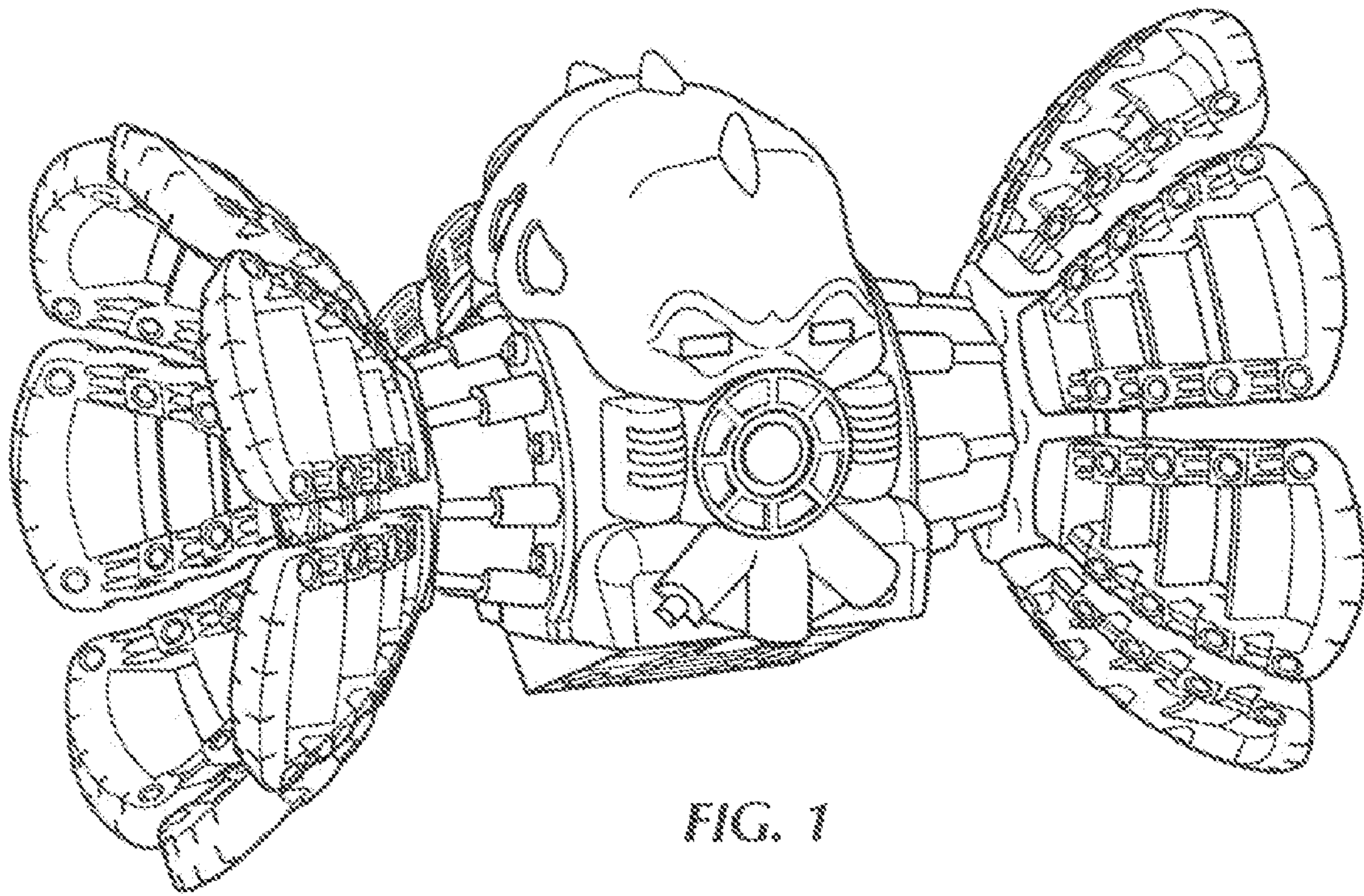


FIG. 1

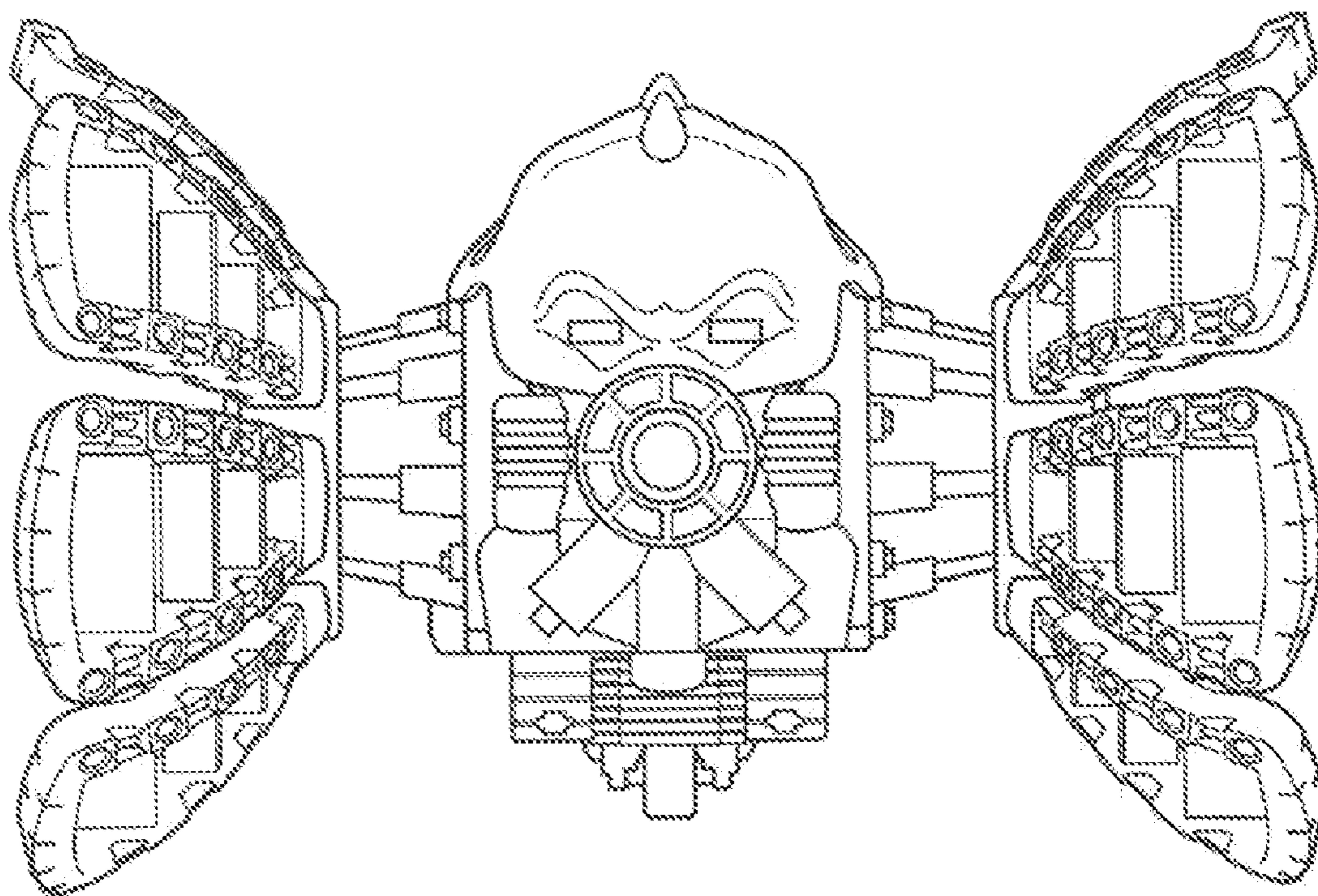


FIG. 2

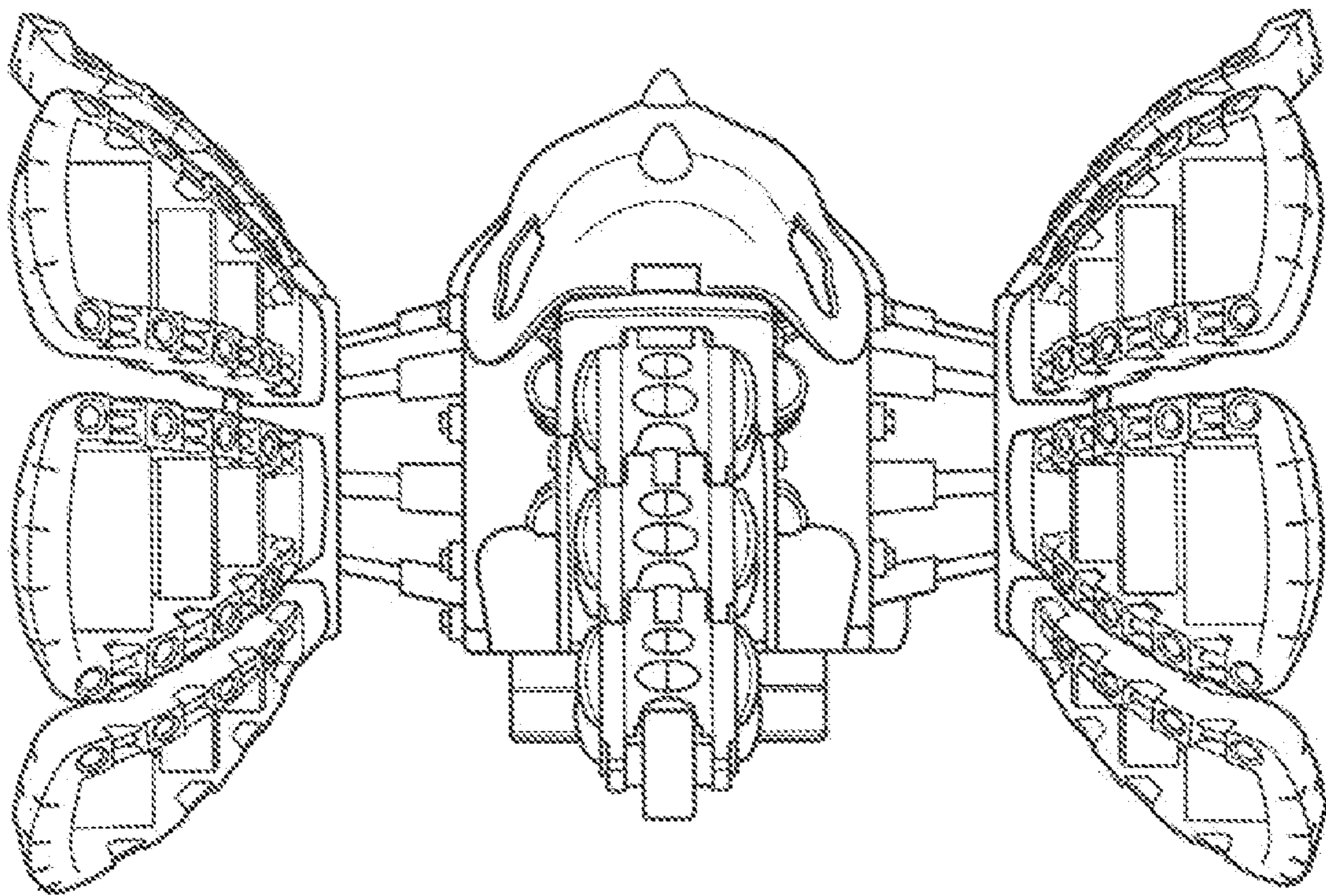


FIG. 3

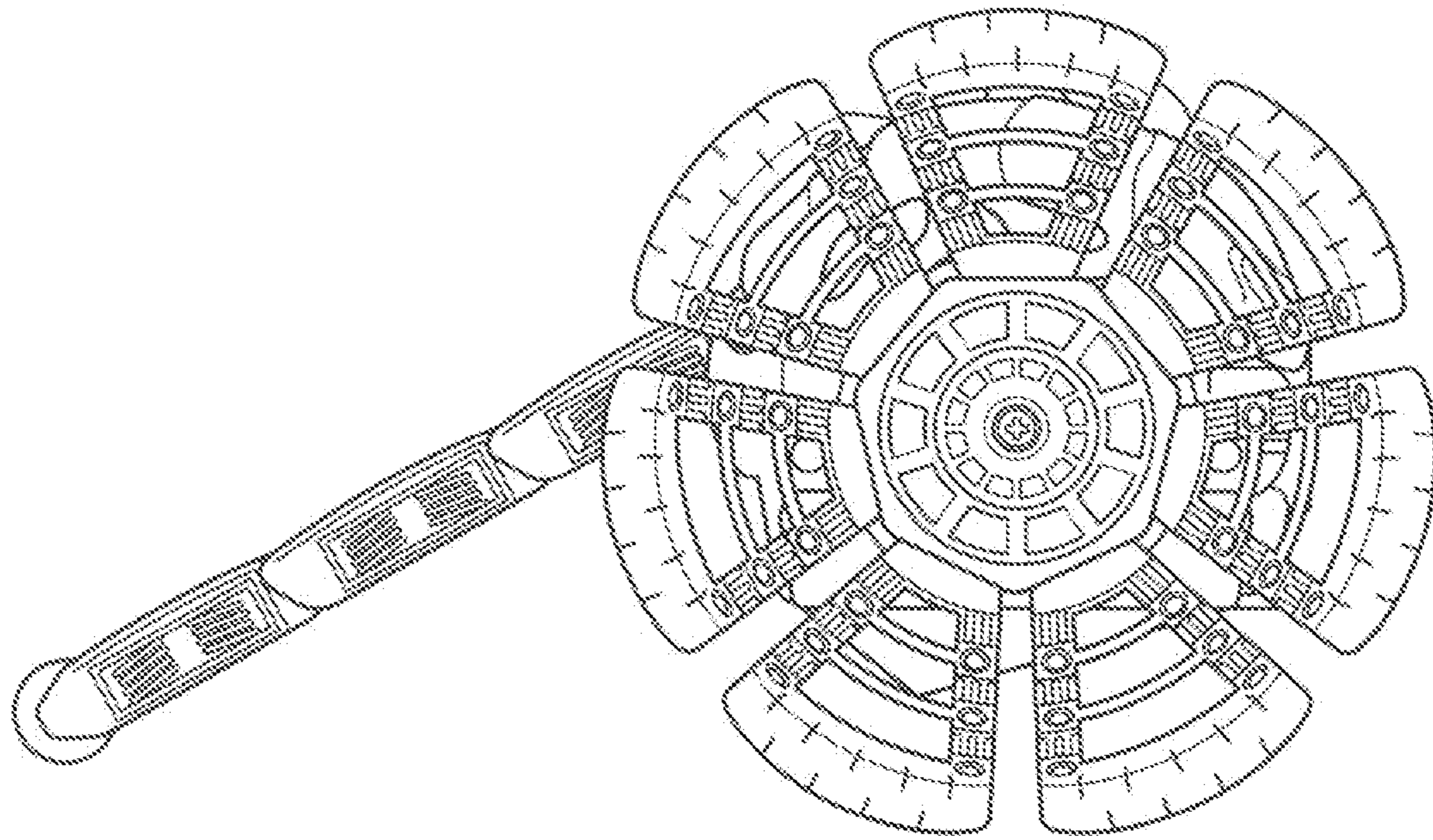


FIG. 4

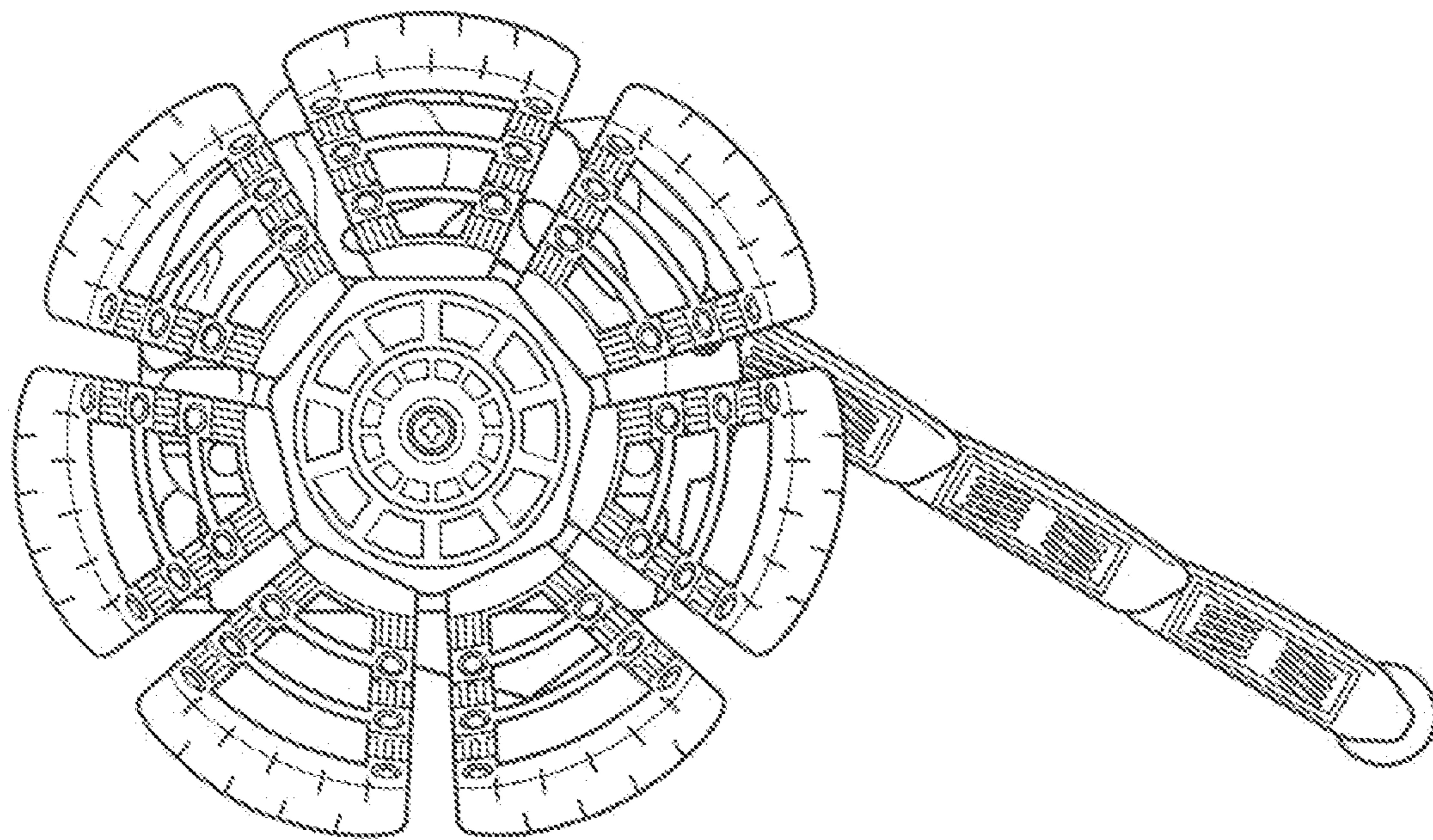


FIG. 5

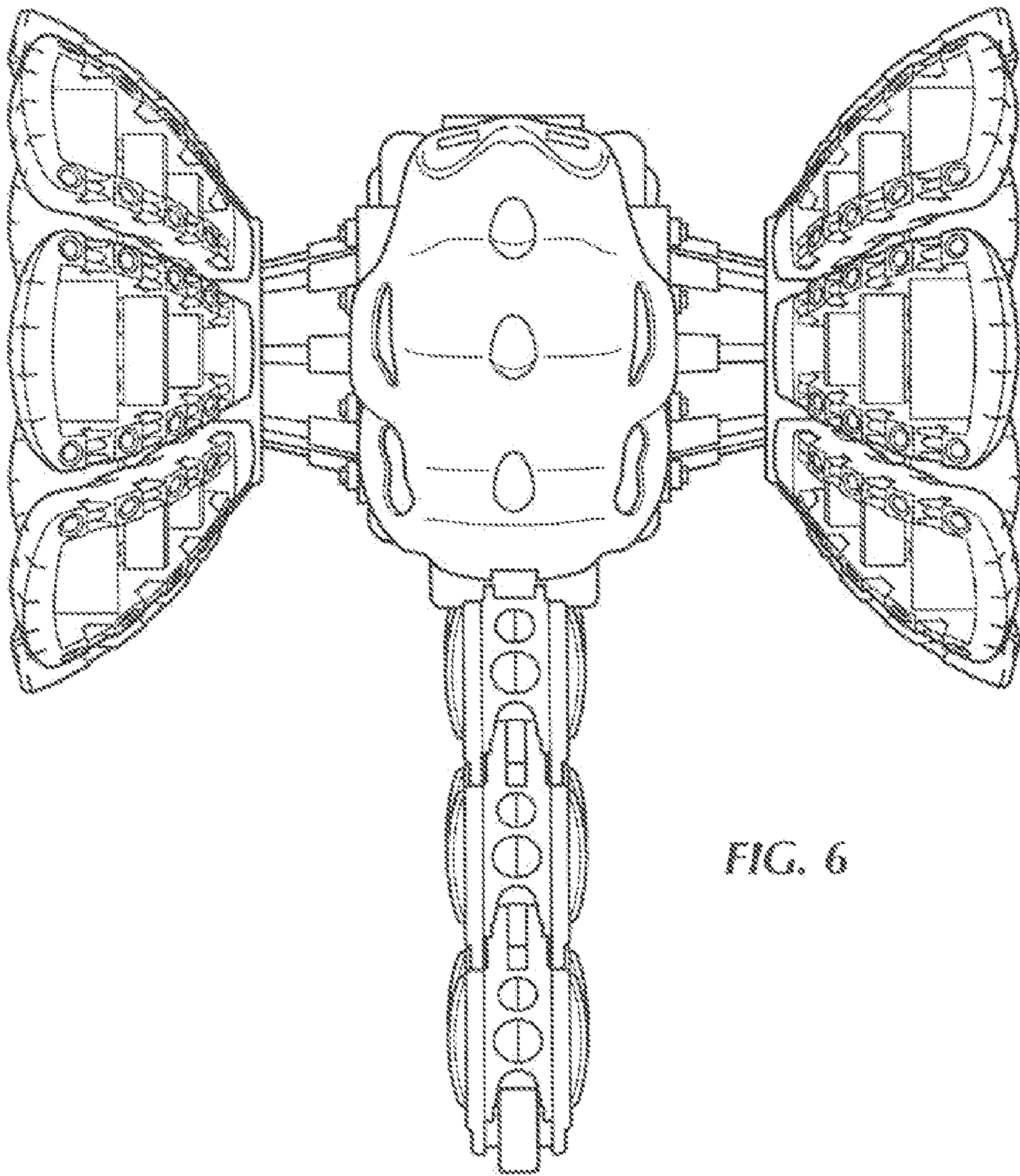


FIG. 6

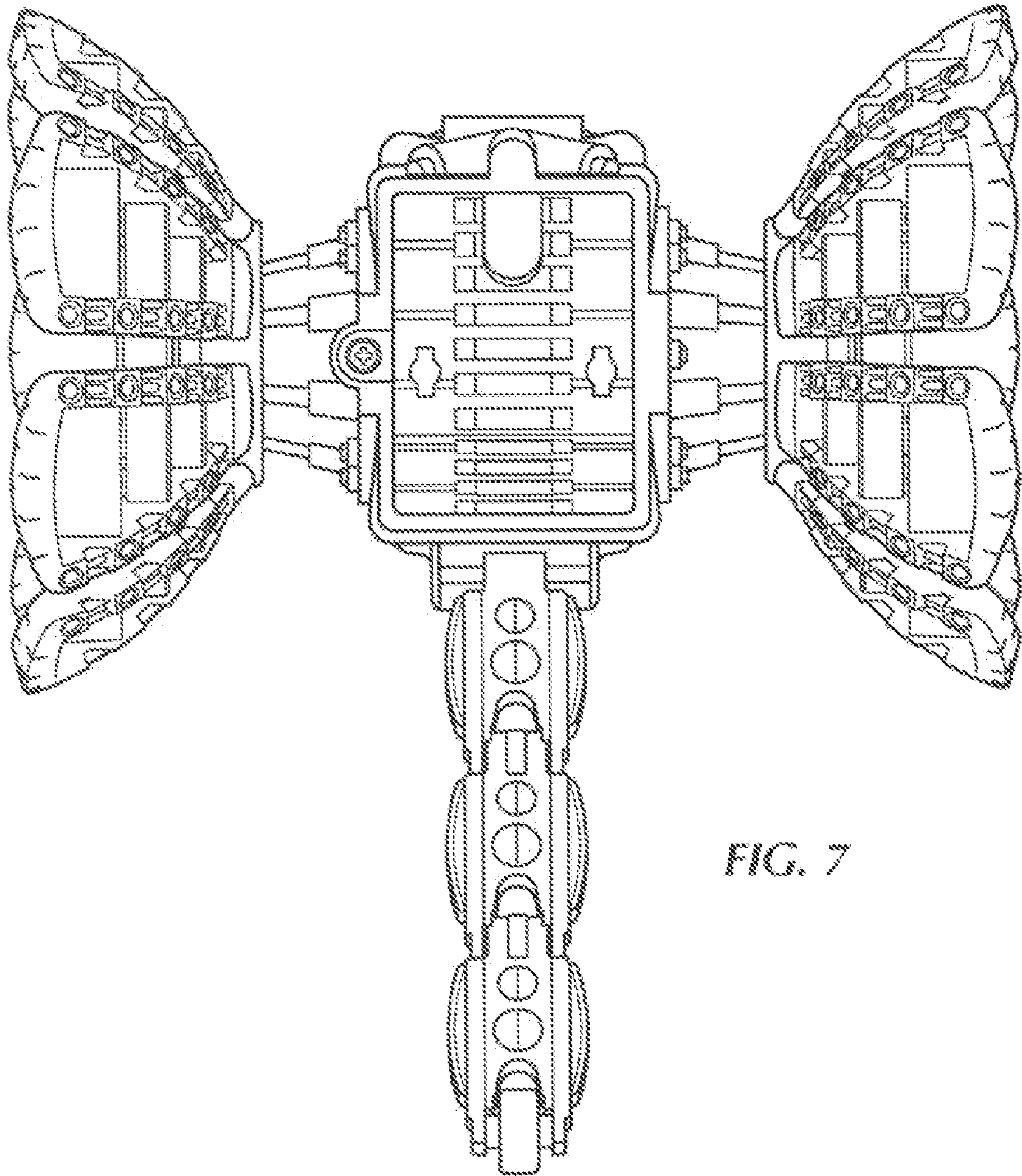


FIG. 7



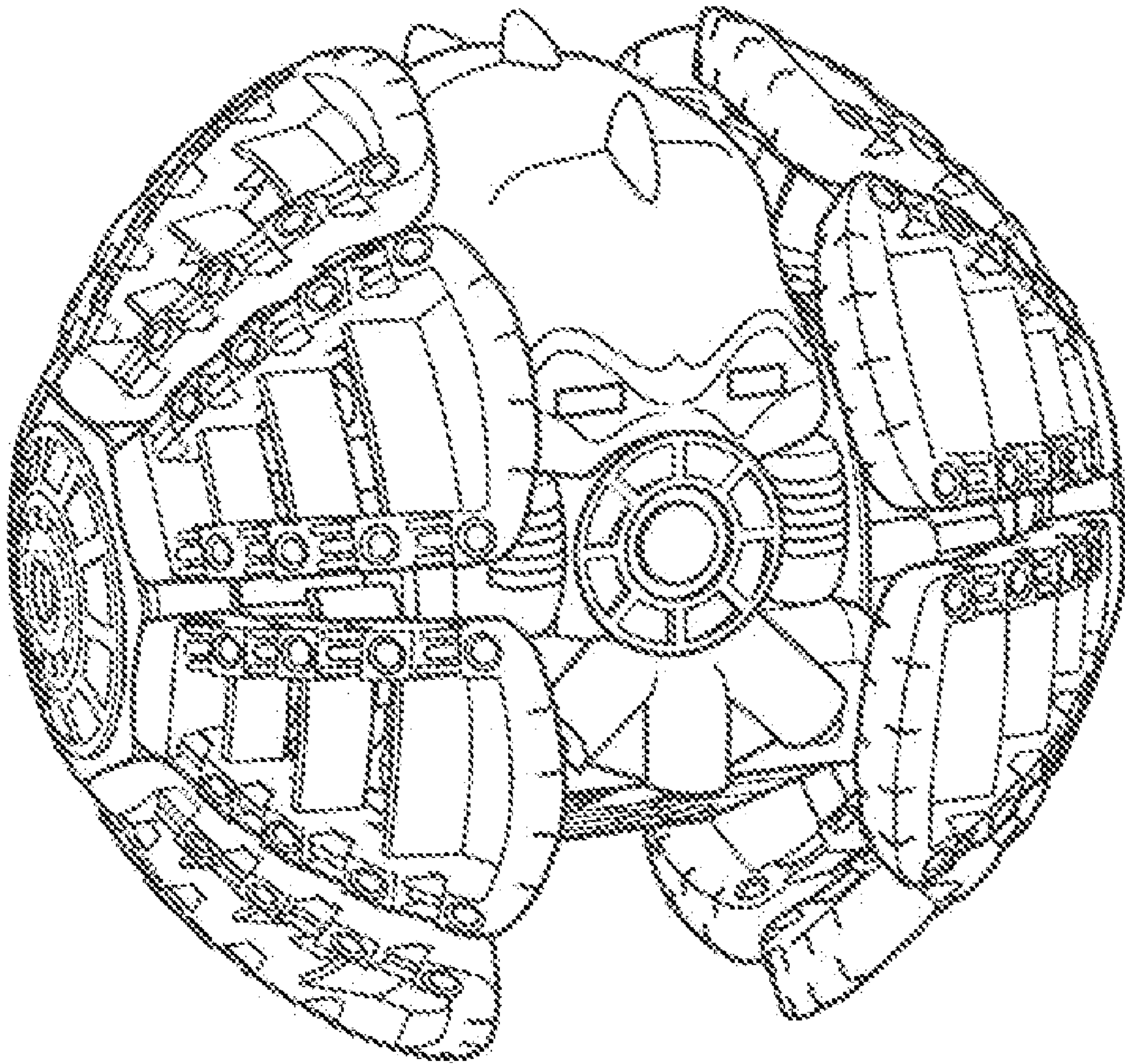


FIG. 8

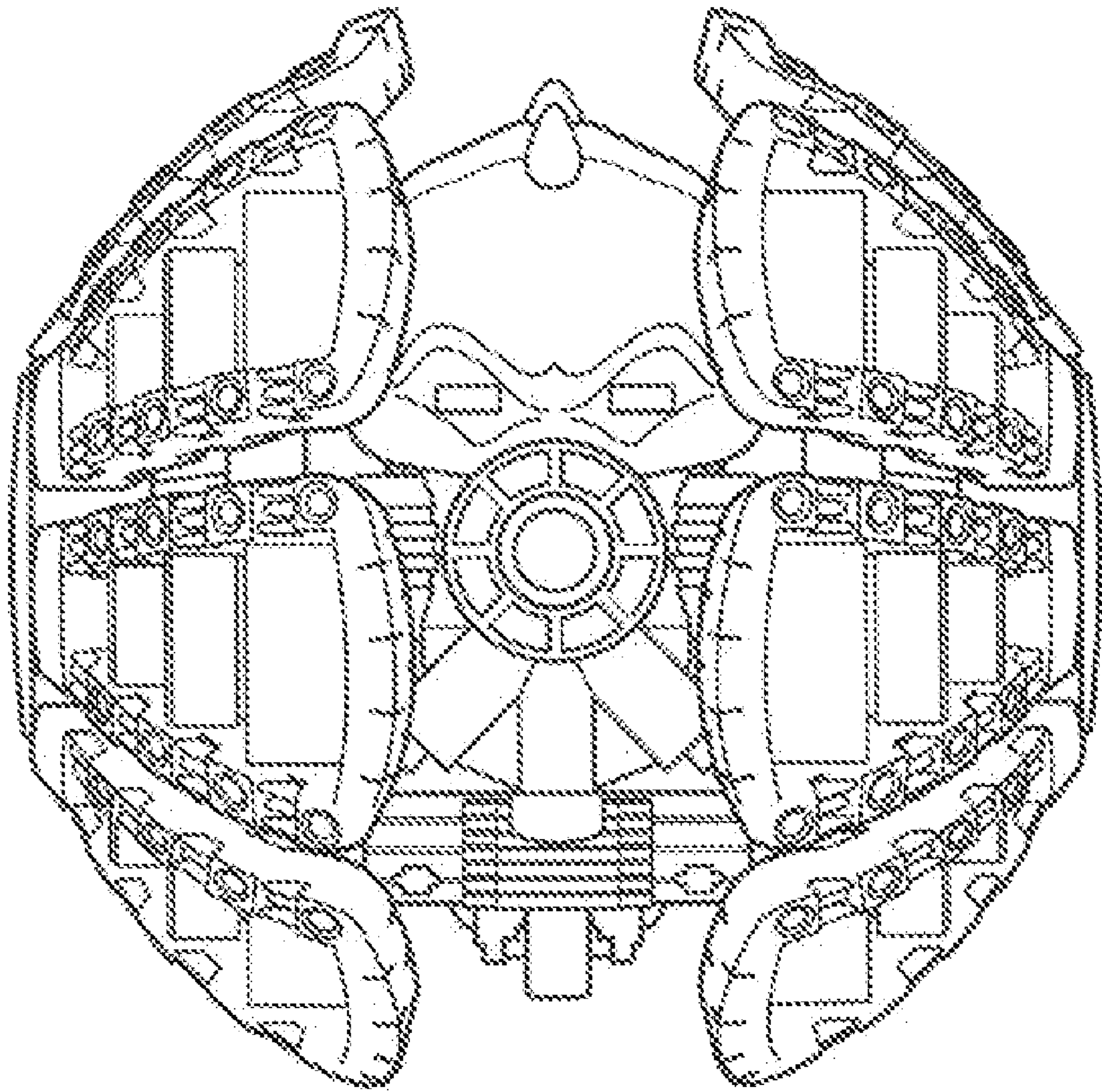


FIG. 9

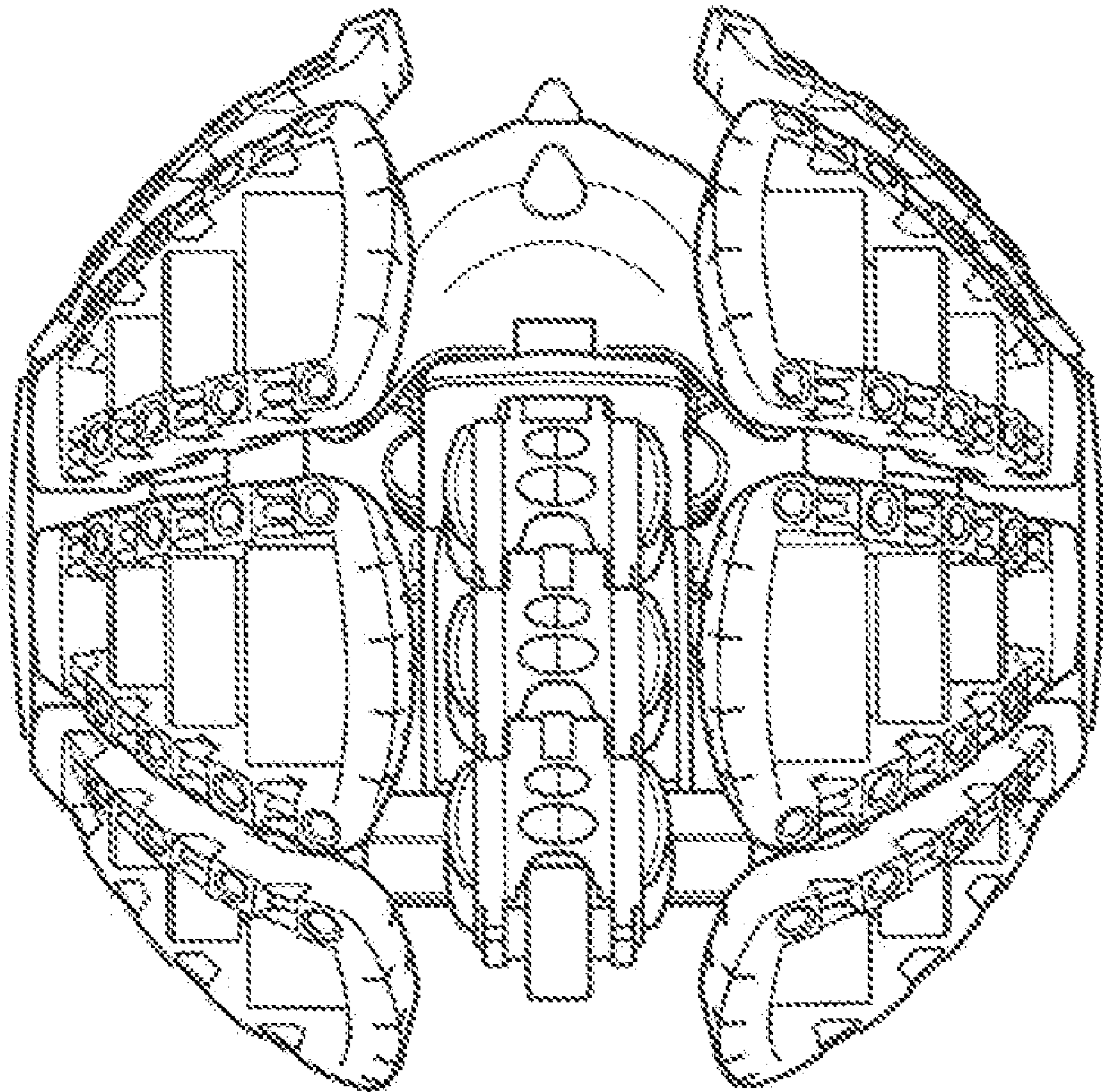


FIG. 10

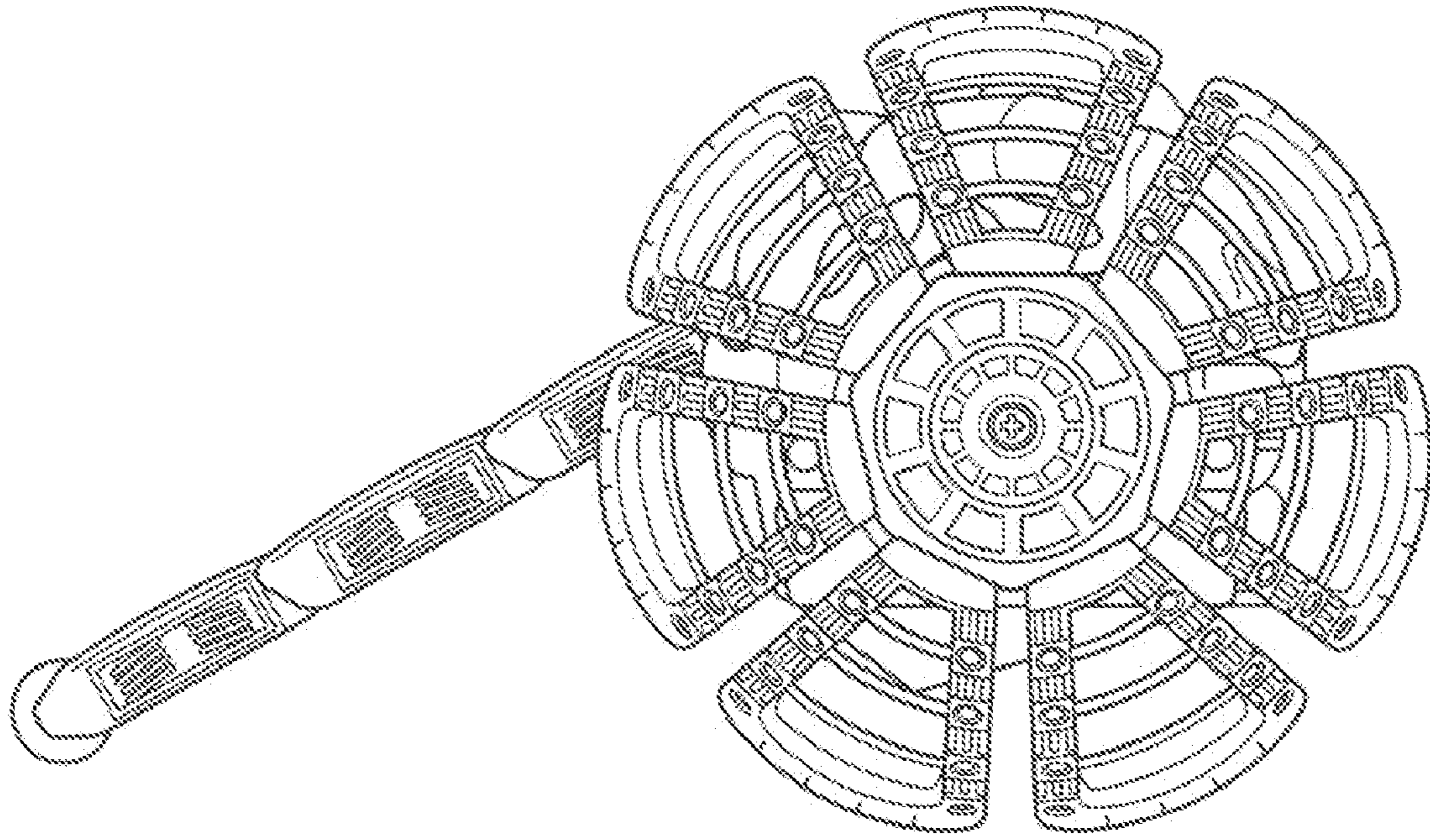


FIG. 11

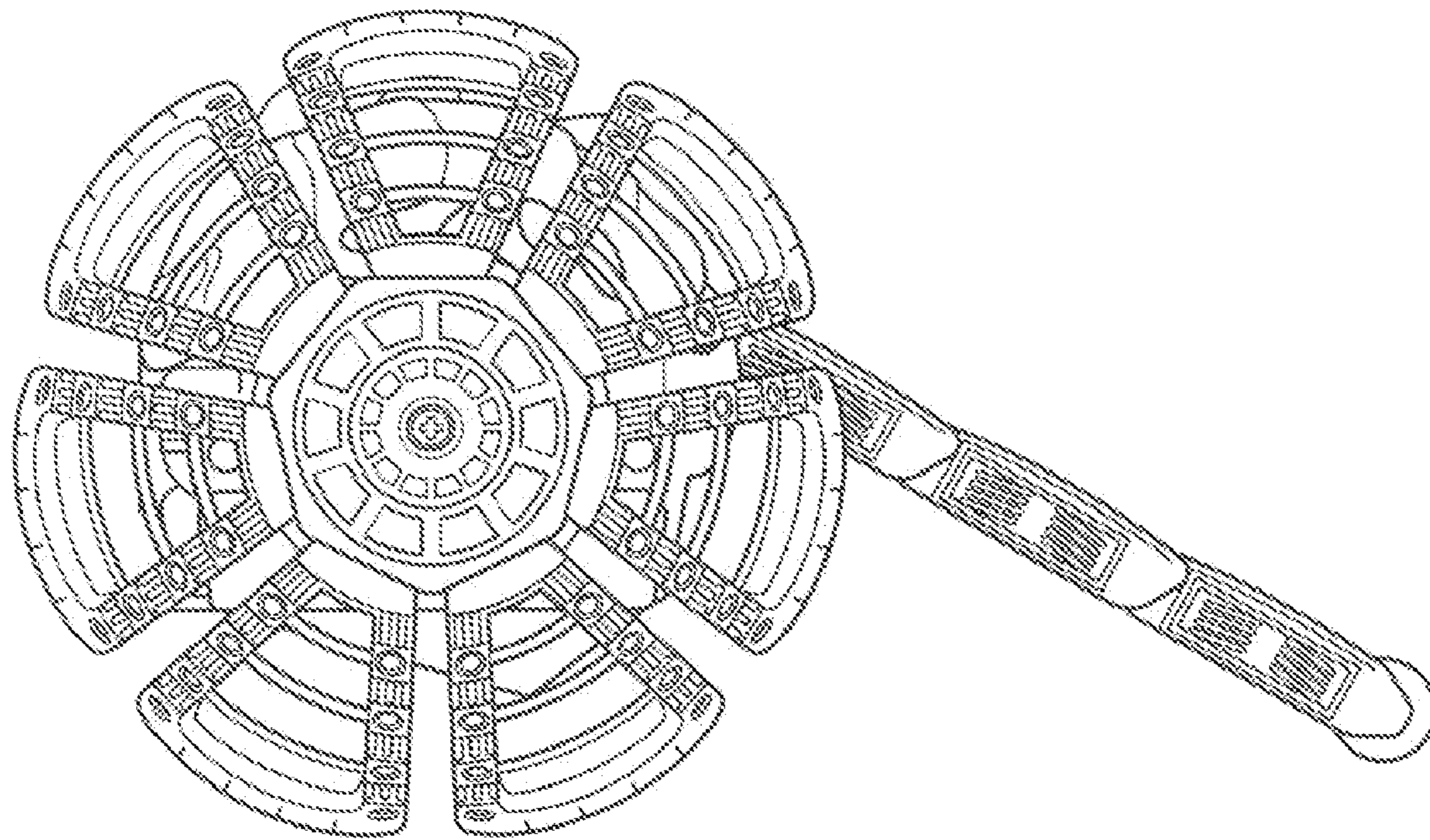


FIG. 12

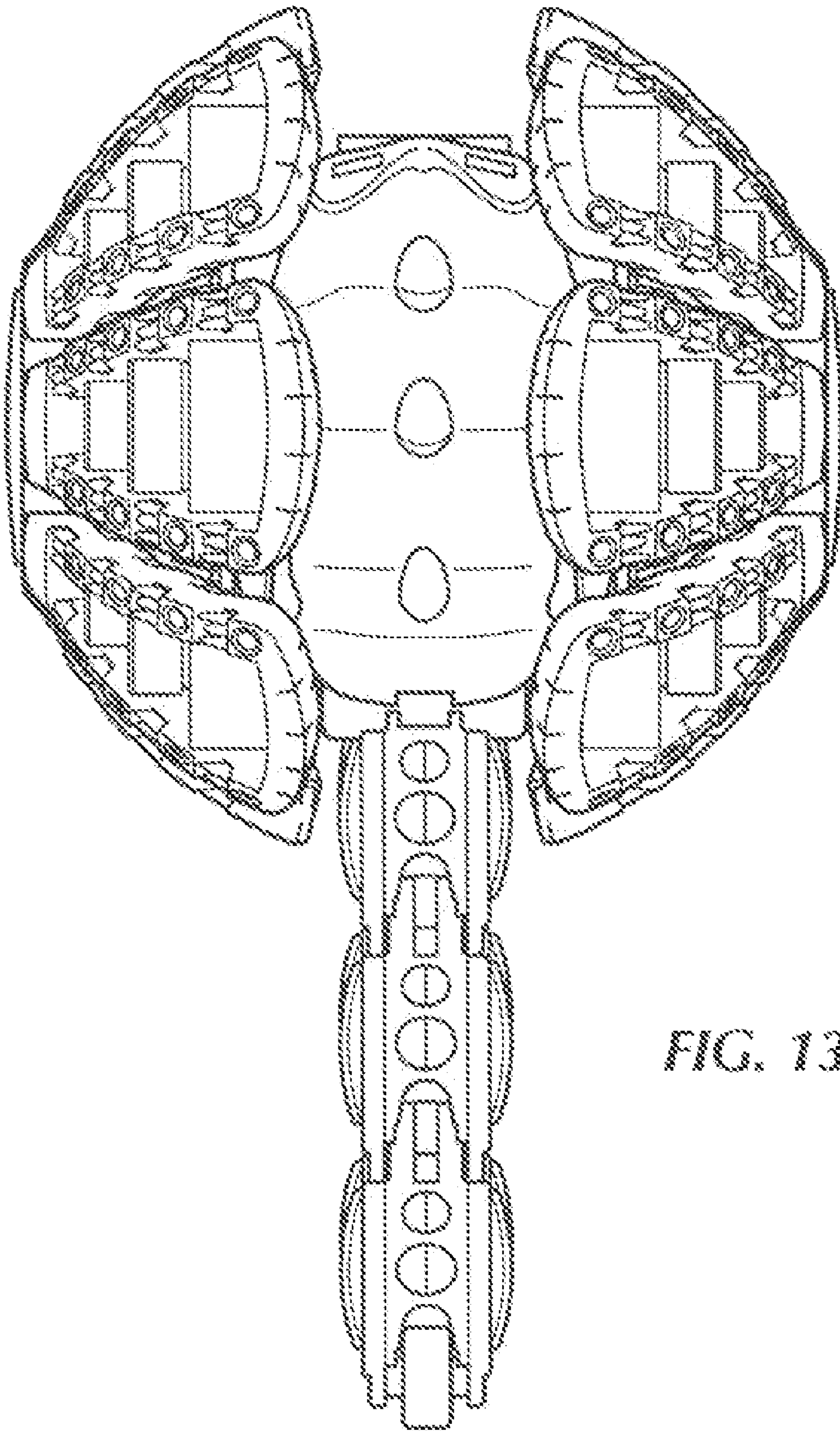


FIG. 13

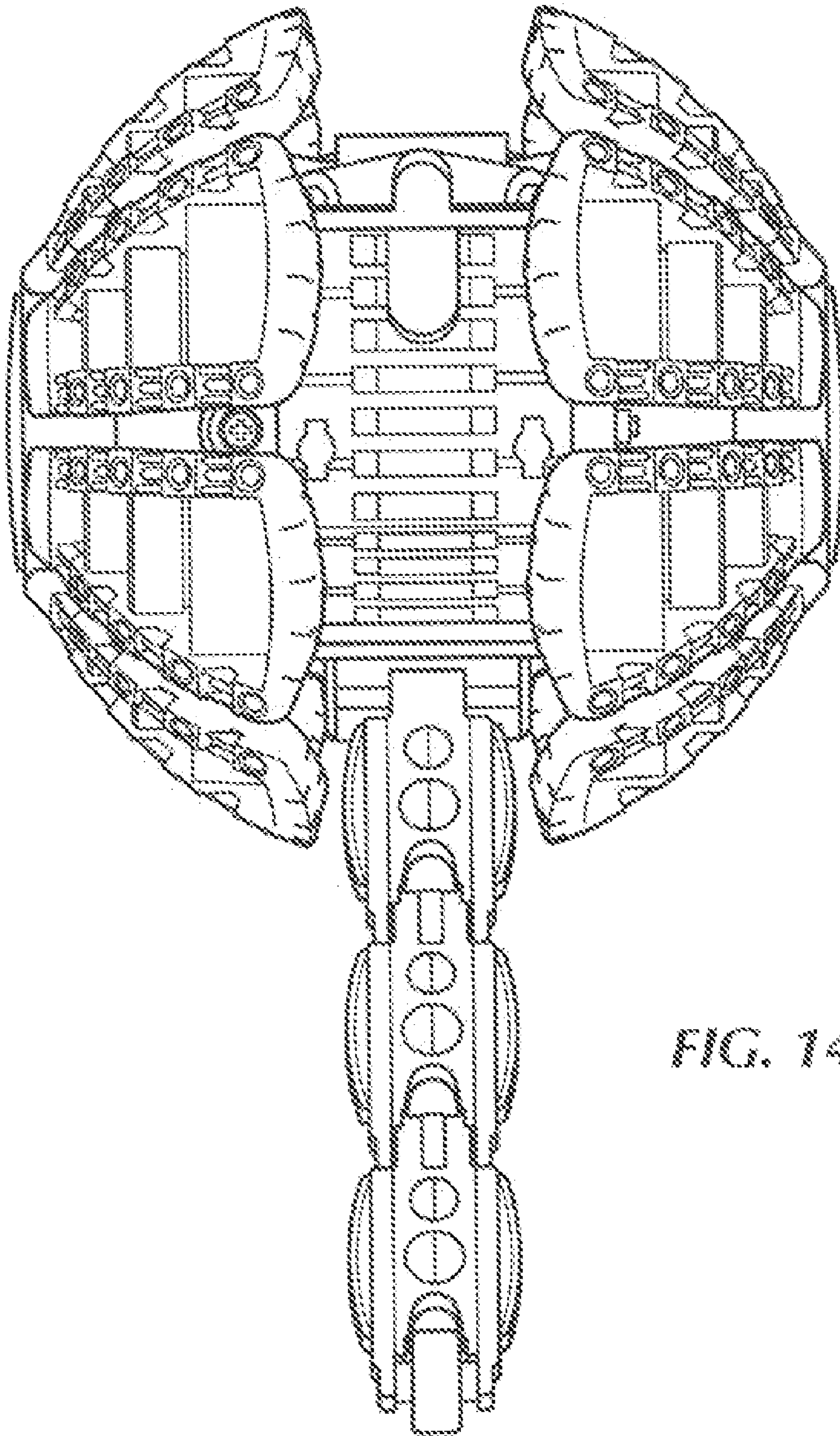


FIG. 14

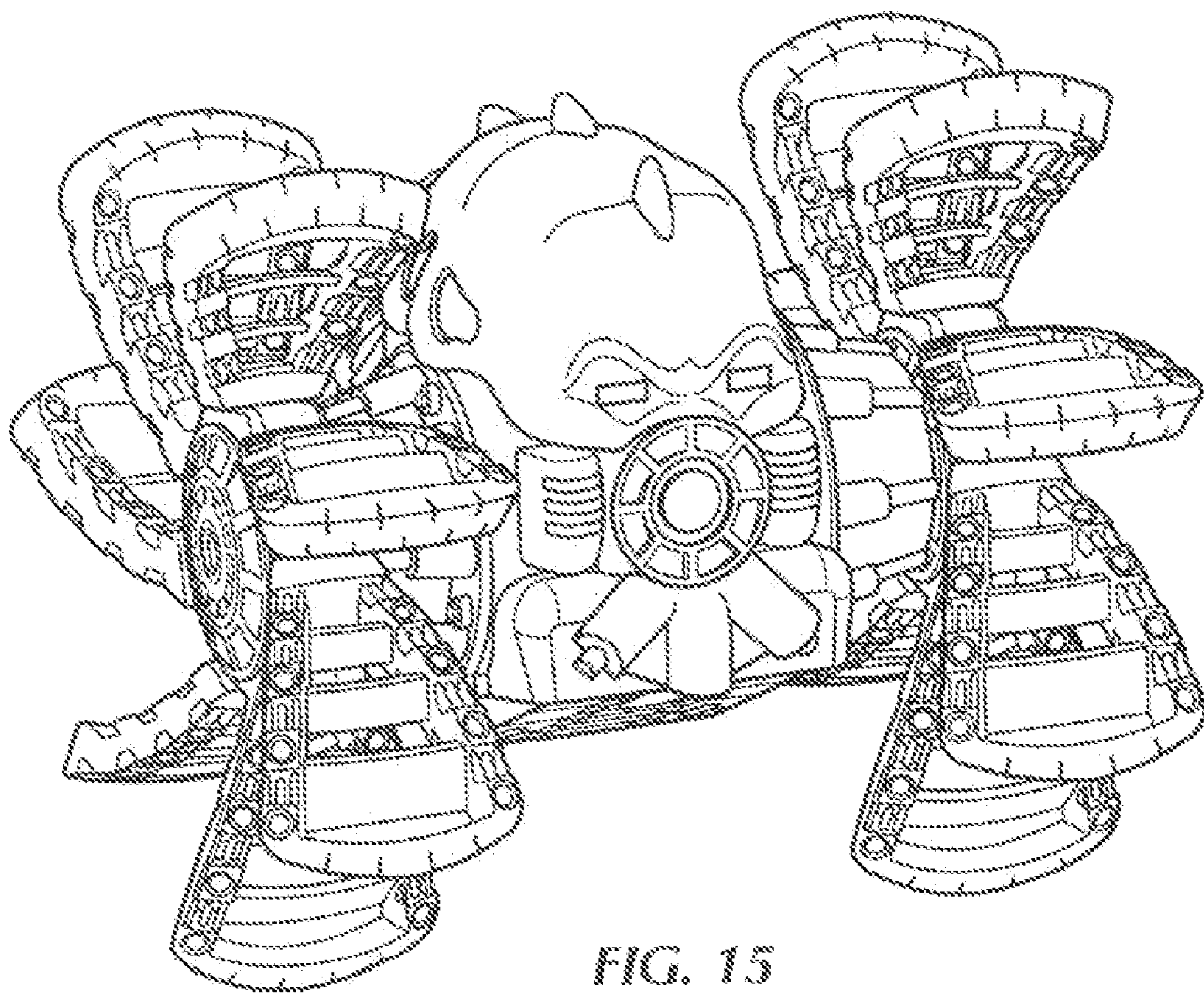


FIG. 15

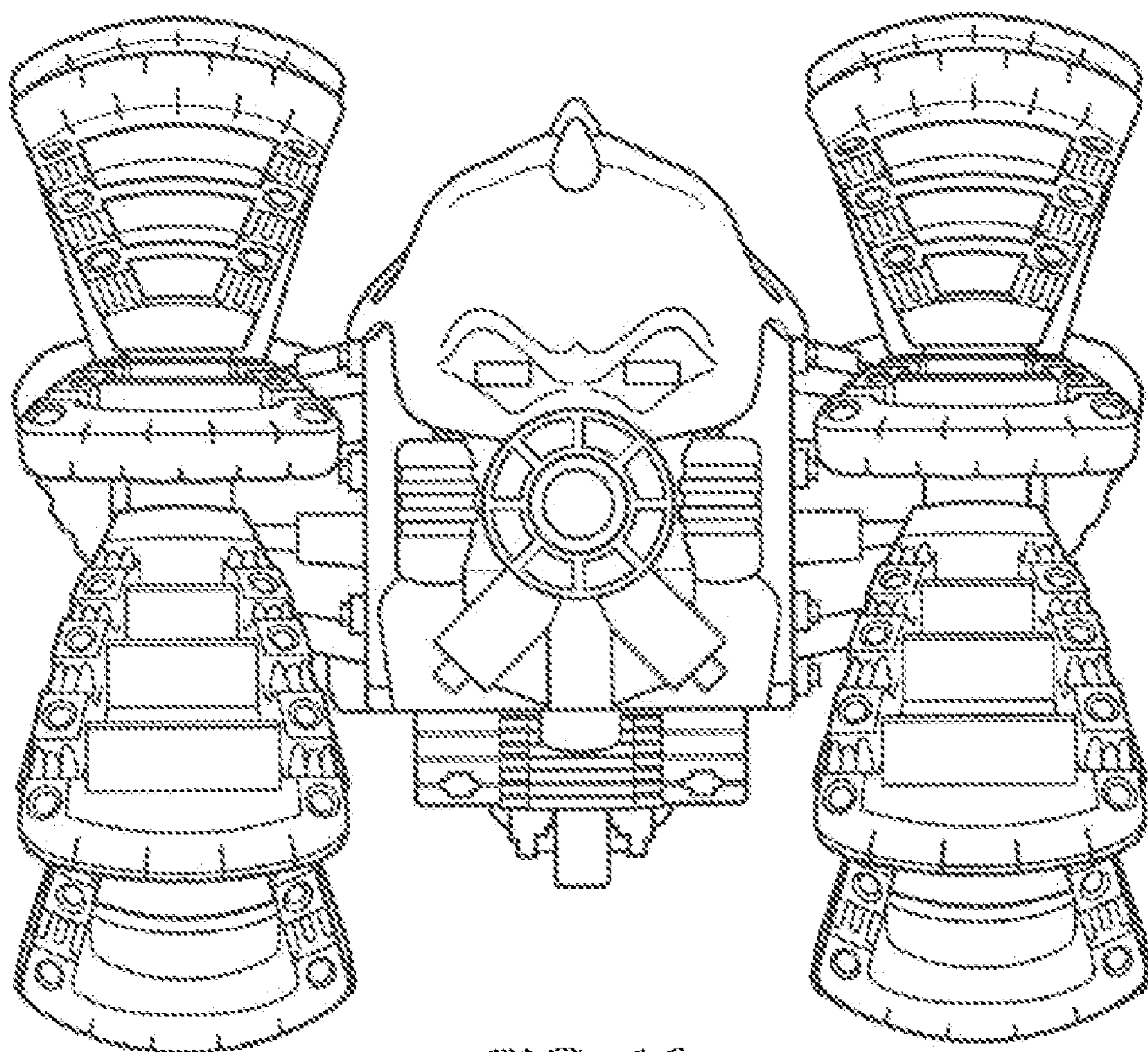


FIG. 16



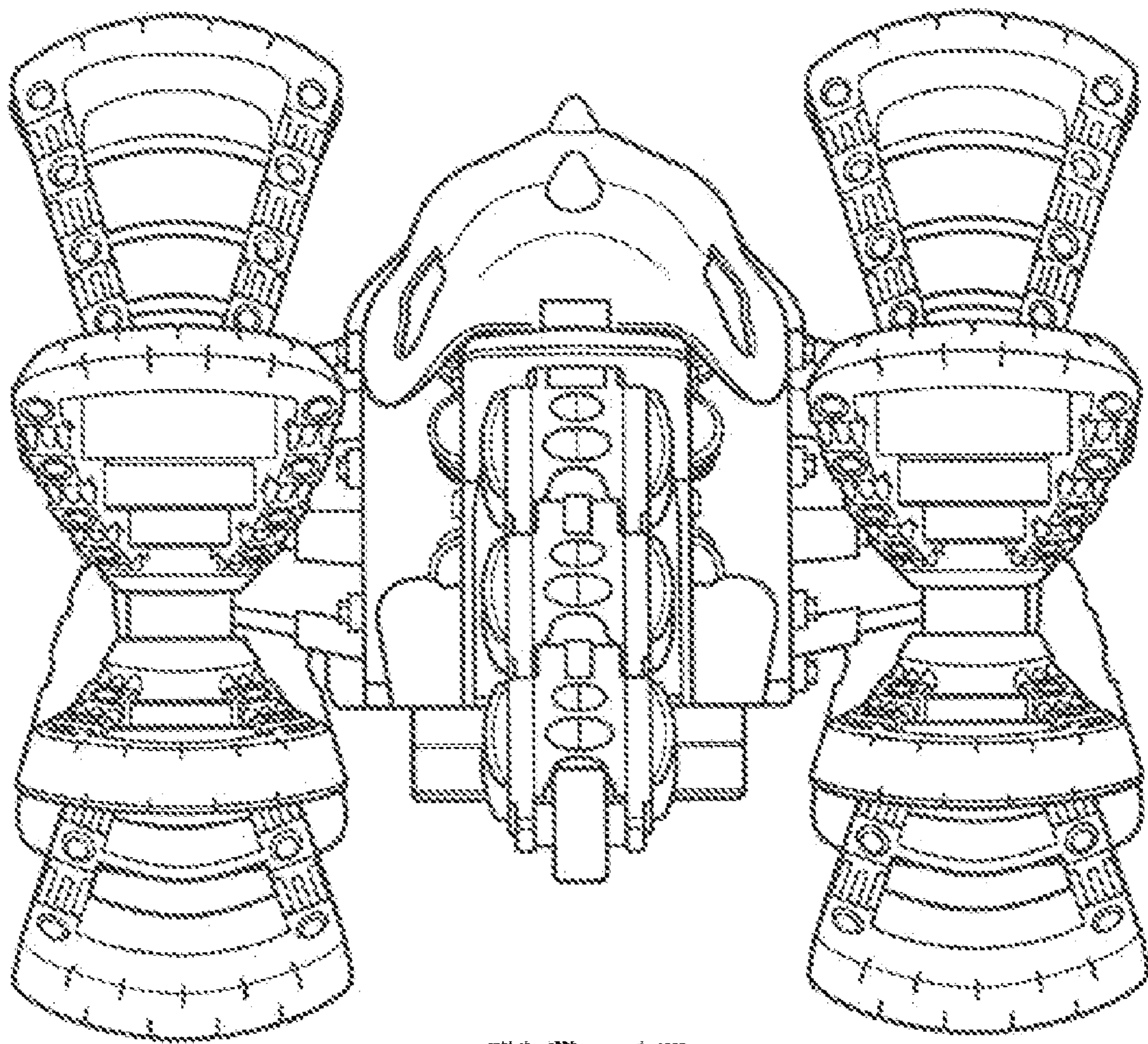


FIG. 17

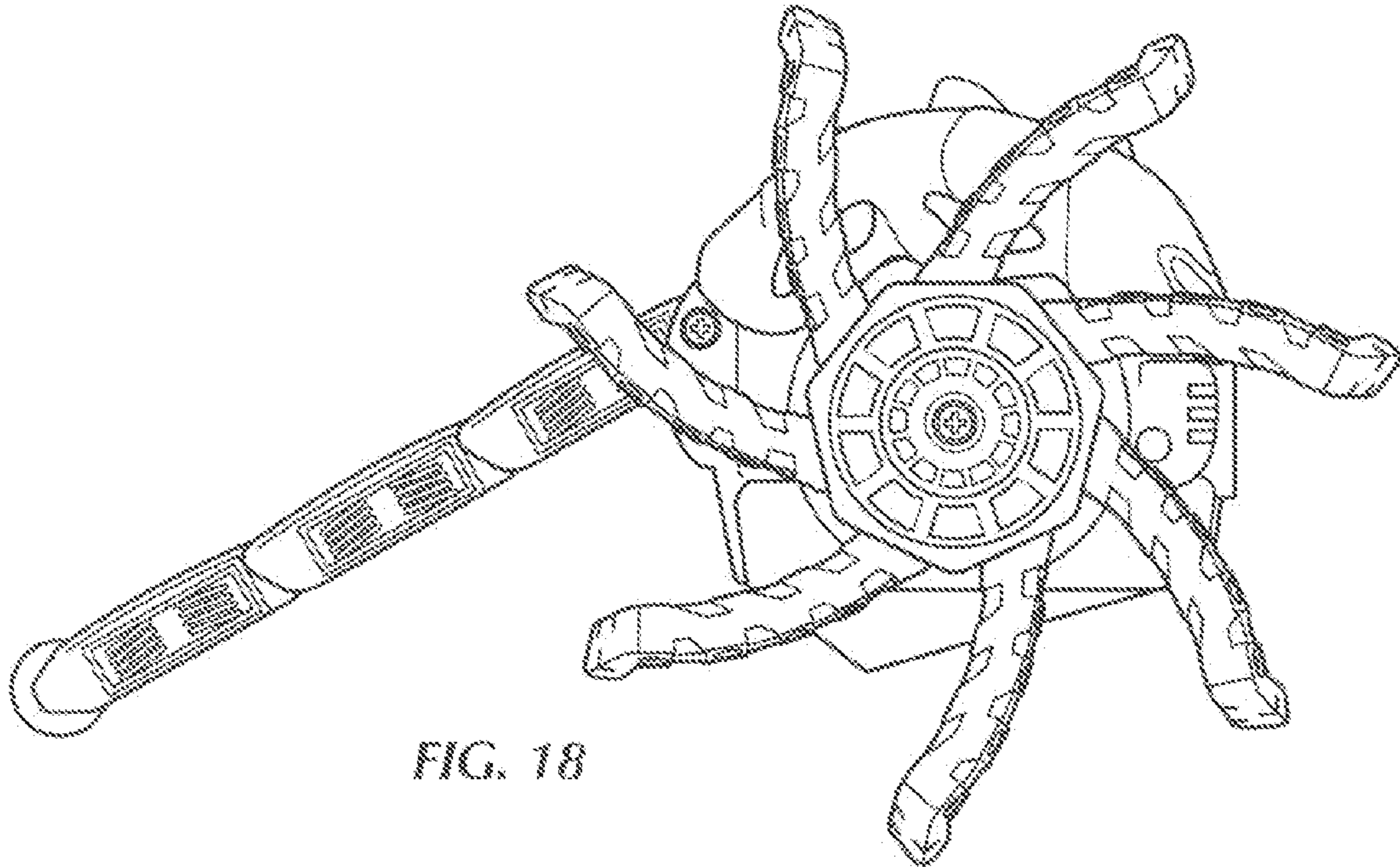


FIG. 18

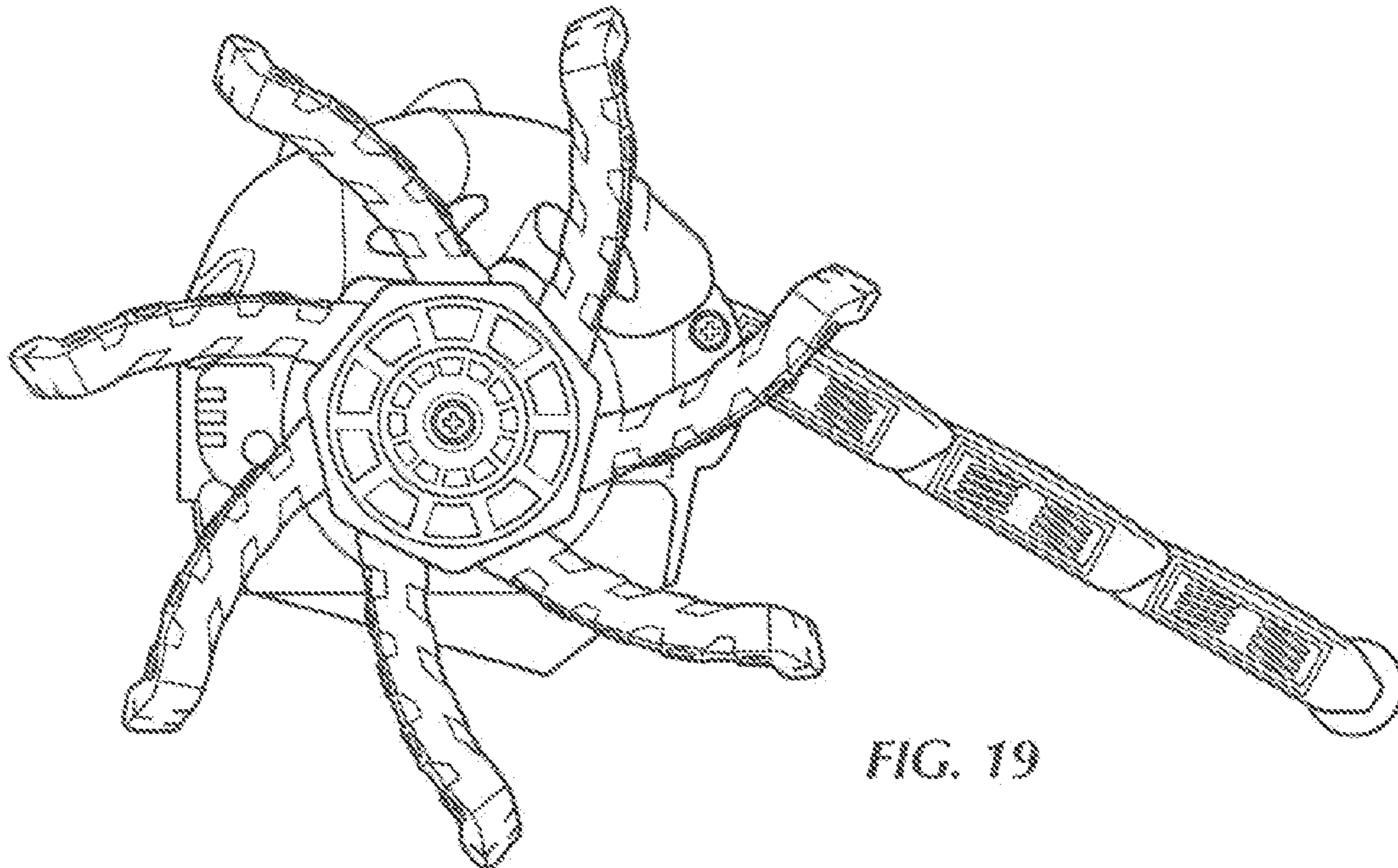


FIG. 19

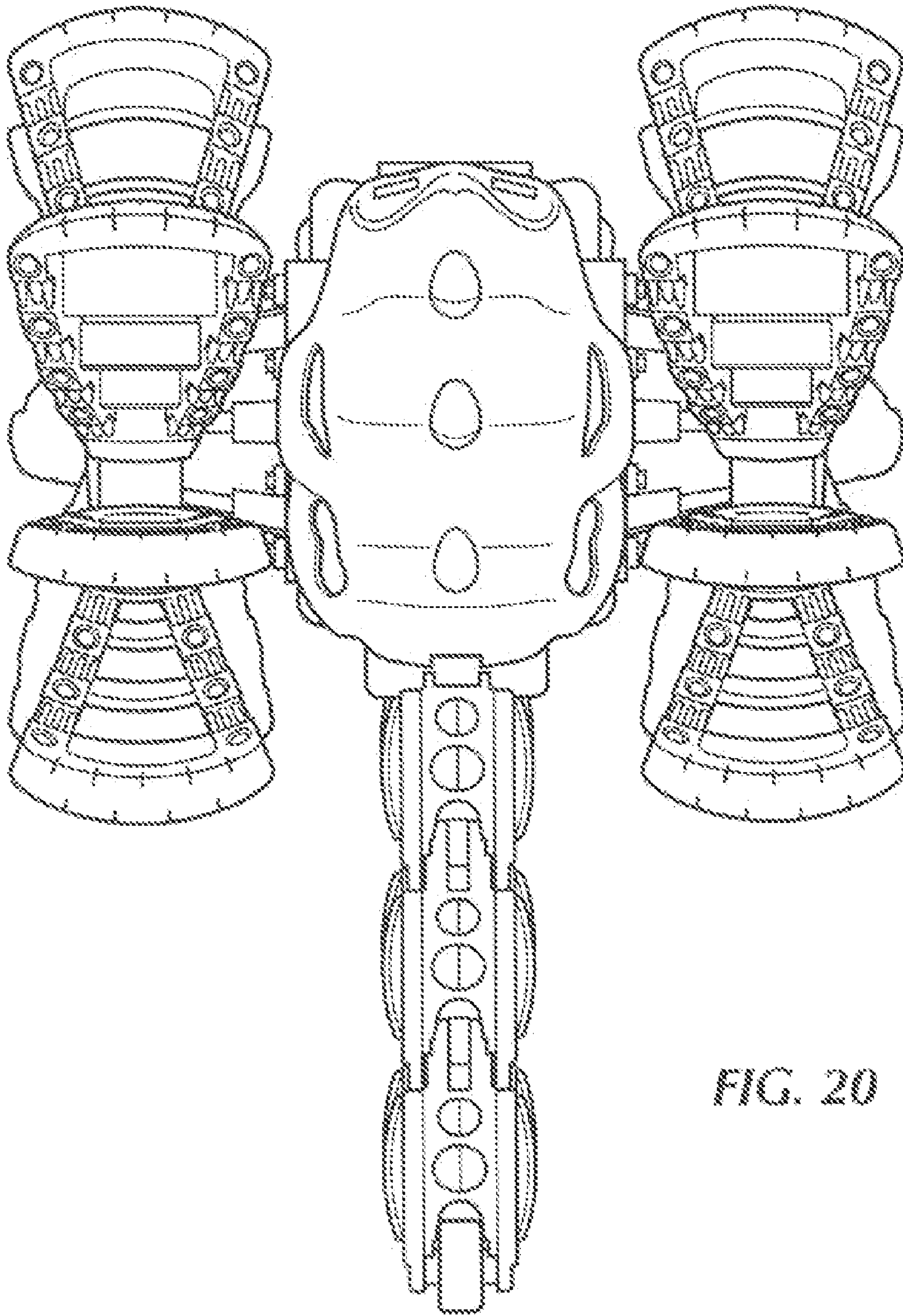


FIG. 20

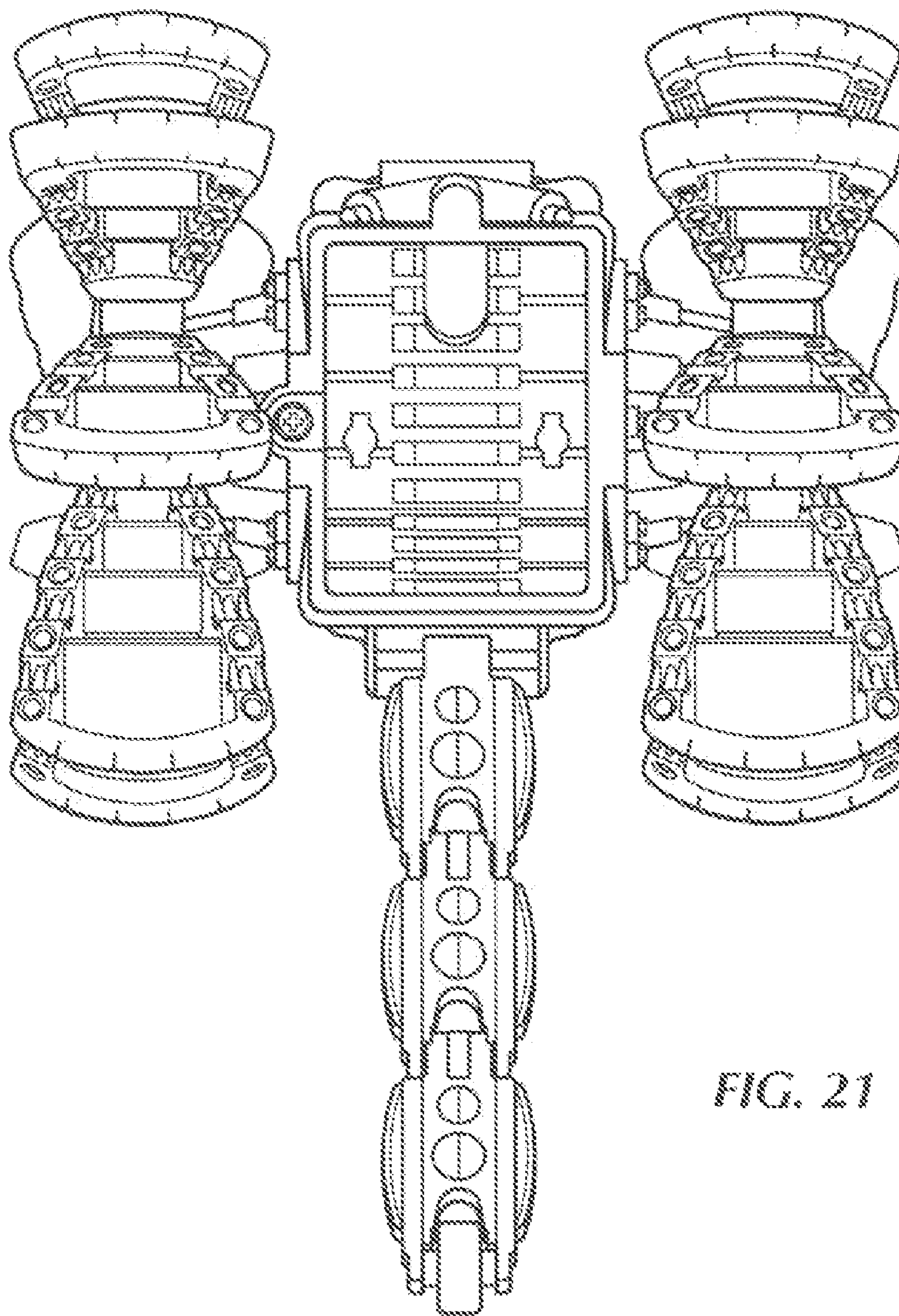


FIG. 21