



US00D566787S

(12) **United States Design Patent**
Lo

(10) **Patent No.:** **US D566,787 S**

(45) **Date of Patent:** **** Apr. 15, 2008**

(54) **FOLDING ELECTRIC TOY SCOOTER**

(76) **Inventor:** **Harvey Bing Lo**, 309 Eola Dr., Walnut, CA (US) 91789

(**) **Term:** **14 Years**

(21) **Appl. No.:** **29/283,284**

(22) **Filed:** **Aug. 9, 2007**

(30) **Foreign Application Priority Data**

Feb. 9, 2007 (CN) 2007 3 0073216

(51) **LOC (8) Cl.** **21-01**

(52) **U.S. Cl.** **D21/423**

(58) **Field of Classification Search** D21/419, D21/421, 423, 424, 426, 533, 538; D12/1, D12/107, 110–113; 280/87.021, 87.041, 280/263, 288.1, 228.3, 200, 210, 214; 180/180, 180/181, 218, 219

See application file for complete search history.

(56) **References Cited**

U.S. PATENT DOCUMENTS

5,894,898	A *	4/1999	Catto	180/181
D414,220	S *	9/1999	Catto	D21/423
D434,350	S *	11/2000	Van Der Linden	D12/112
D444,184	S *	6/2001	Kettler	D21/423
D445,145	S *	7/2001	Yang	D21/423
D492,223	S *	6/2004	Kim	D12/110
D540,400	S *	4/2007	Starr	D21/423
D557,751	S *	12/2007	On	D21/423

* cited by examiner

Primary Examiner—Holly H. Baynham

Assistant Examiner—Cynthia M. Chin

(74) *Attorney, Agent, or Firm*—Welsh & Katz, Ltd.

(57) **CLAIM**

The ornamental design for a folding electric toy scooter, as shown and described.

DESCRIPTION

FIG. 1 is a perspective view of the folding electric toy scooter in an unfolded position in accordance with the present invention;

FIG. 2 is a perspective view of the folding electric toy scooter of FIG. 1 in a folded position;

FIG. 3 is top view of the folding electric toy scooter of FIG. 1 in a folded position;

FIG. 4 is a bottom view of the folding electric toy scooter of FIG. 1 in a folded position;

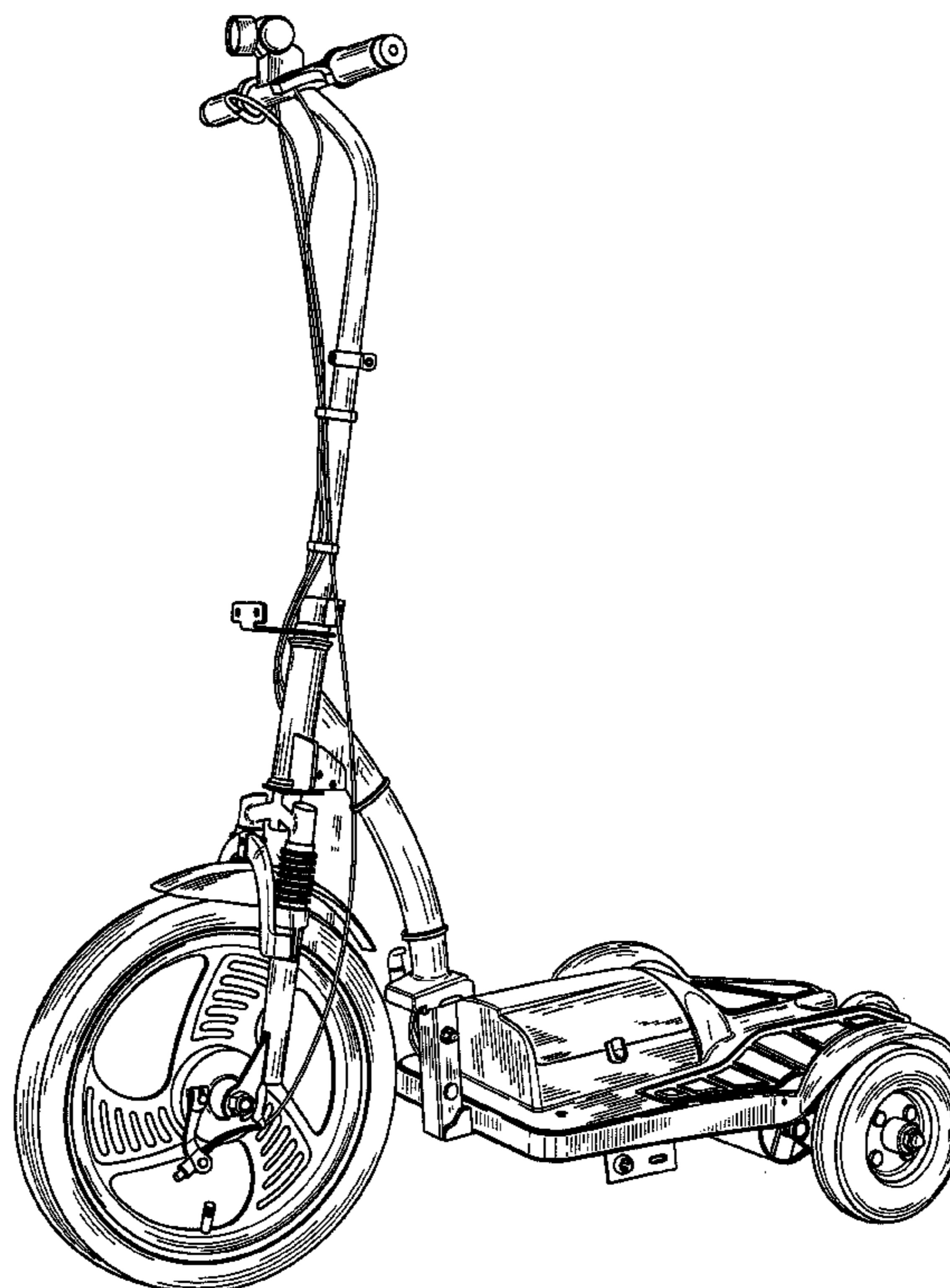
FIG. 5 is a right-hand side view of the folding electric toy scooter of FIG. 1 in a folded position;

FIG. 6 is a left-hand side view of the folding electric toy scooter of FIG. 1 in a folded position;

FIG. 7 is a rear view of the folding electric toy scooter of FIG. 1 in a folded position; and,

FIG. 8 is a front view of the folding electric toy scooter of FIG. 1 in a folded position.

1 Claim, 7 Drawing Sheets



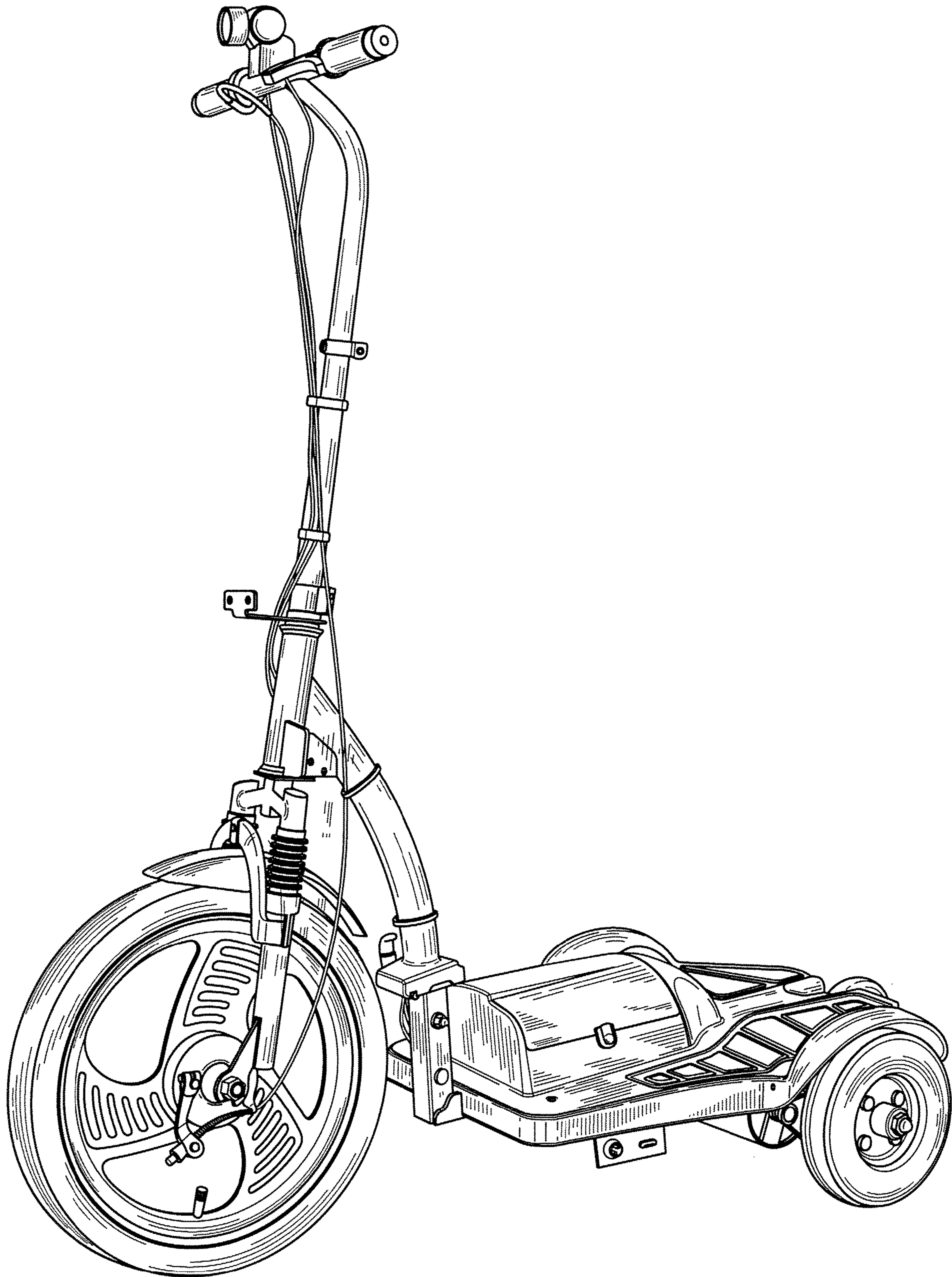


FIG. 1

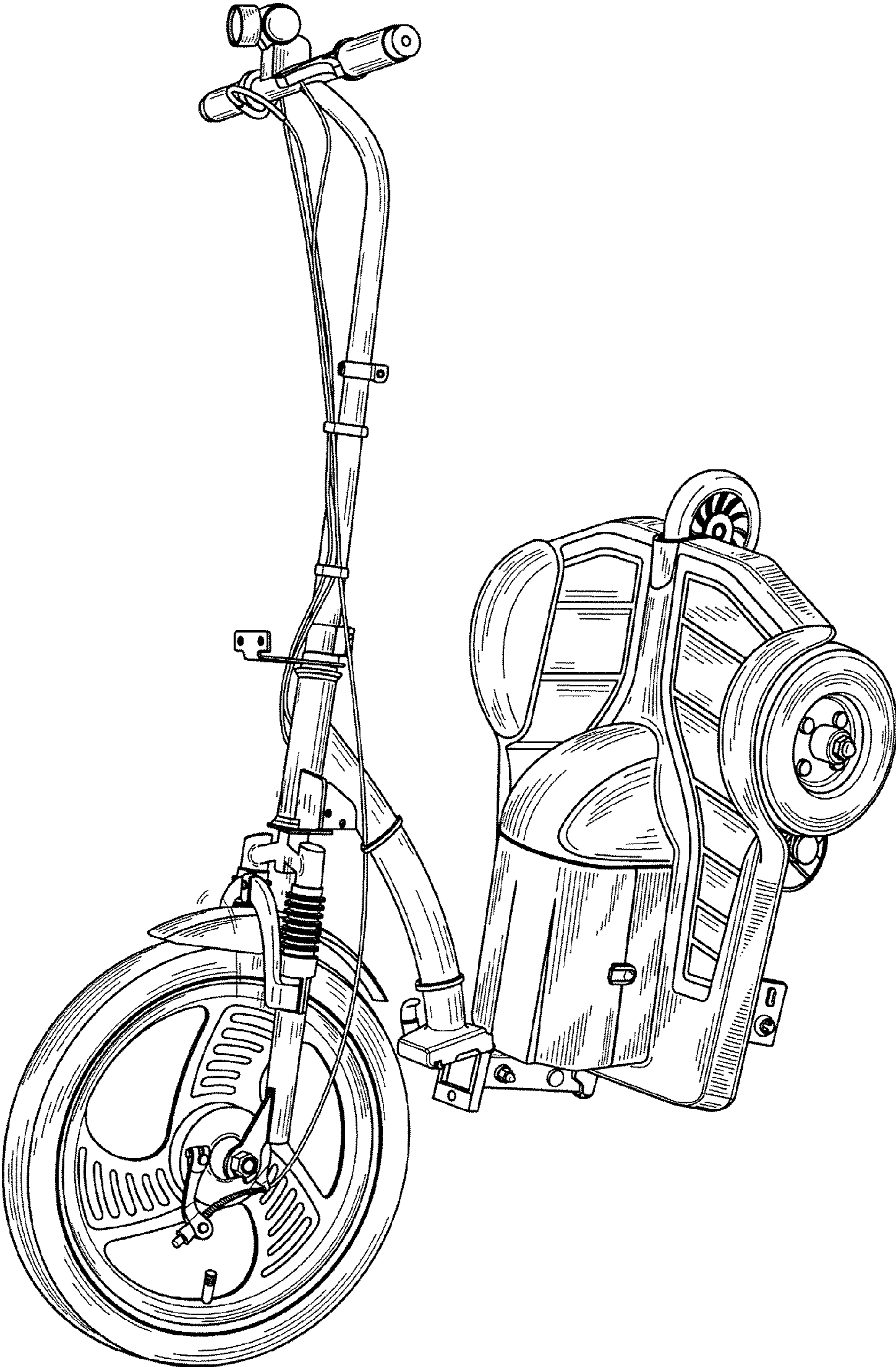


FIG. 2

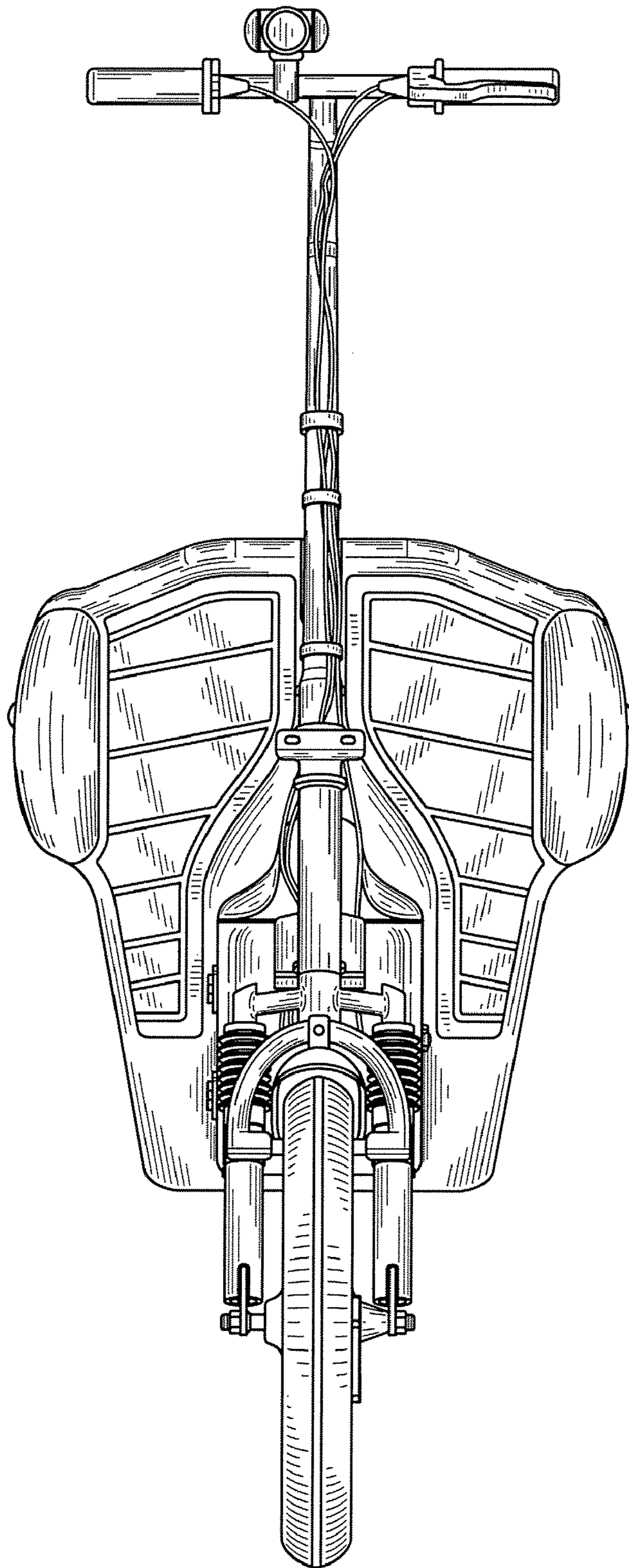


FIG. 3

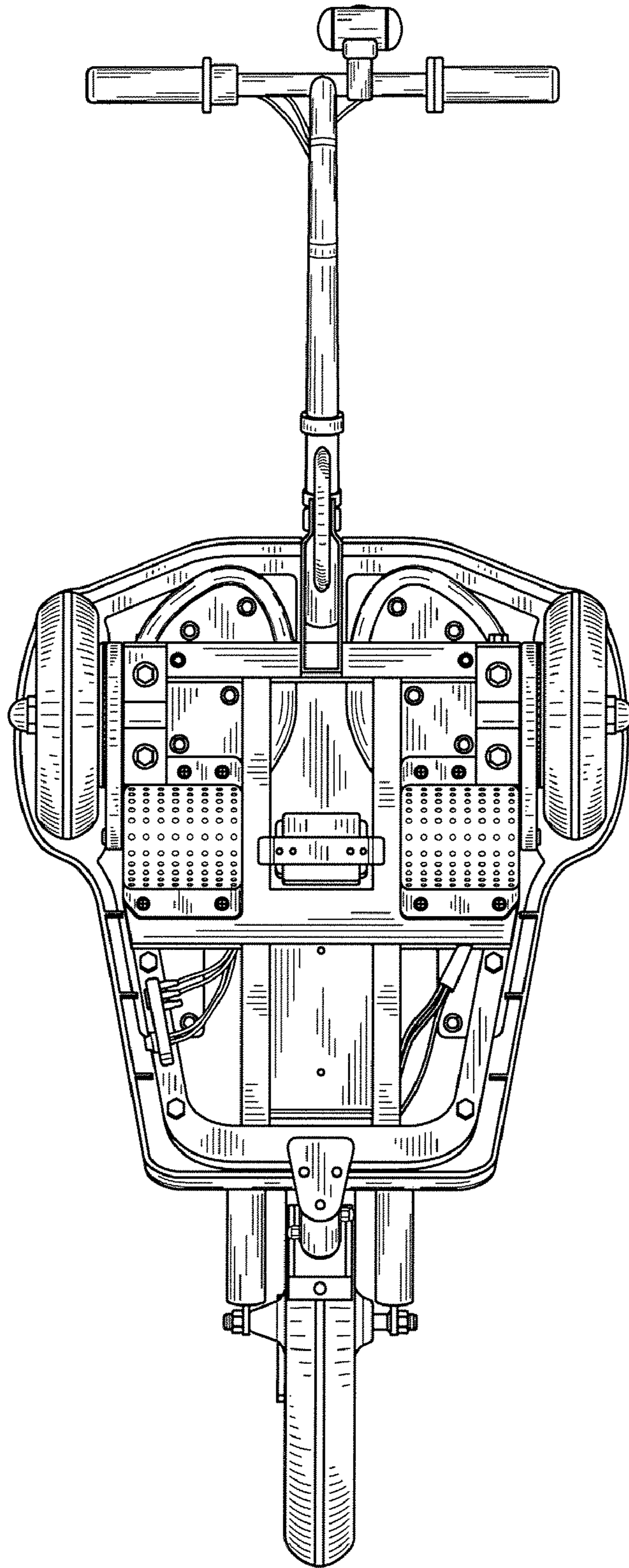


FIG. 4

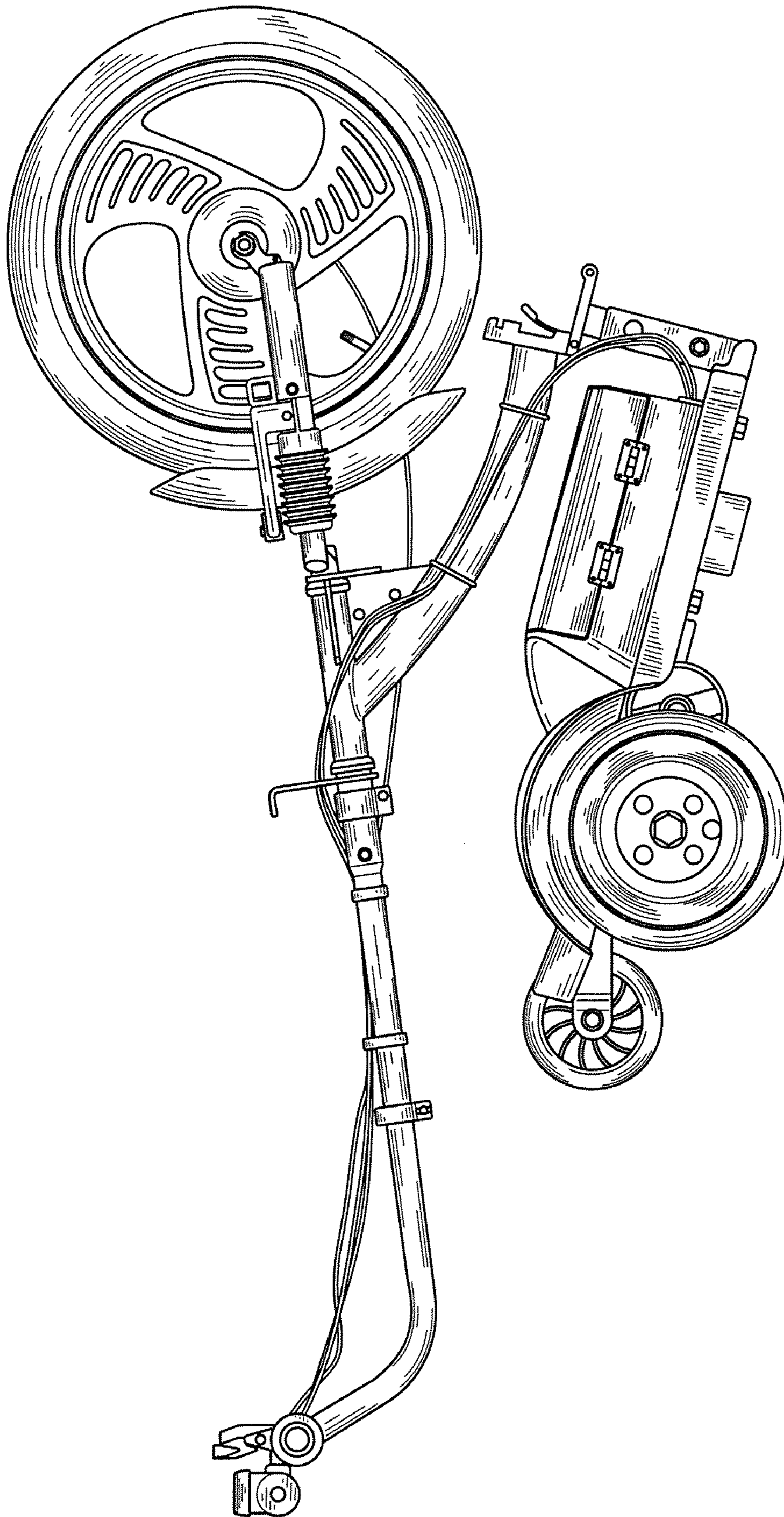


FIG. 5

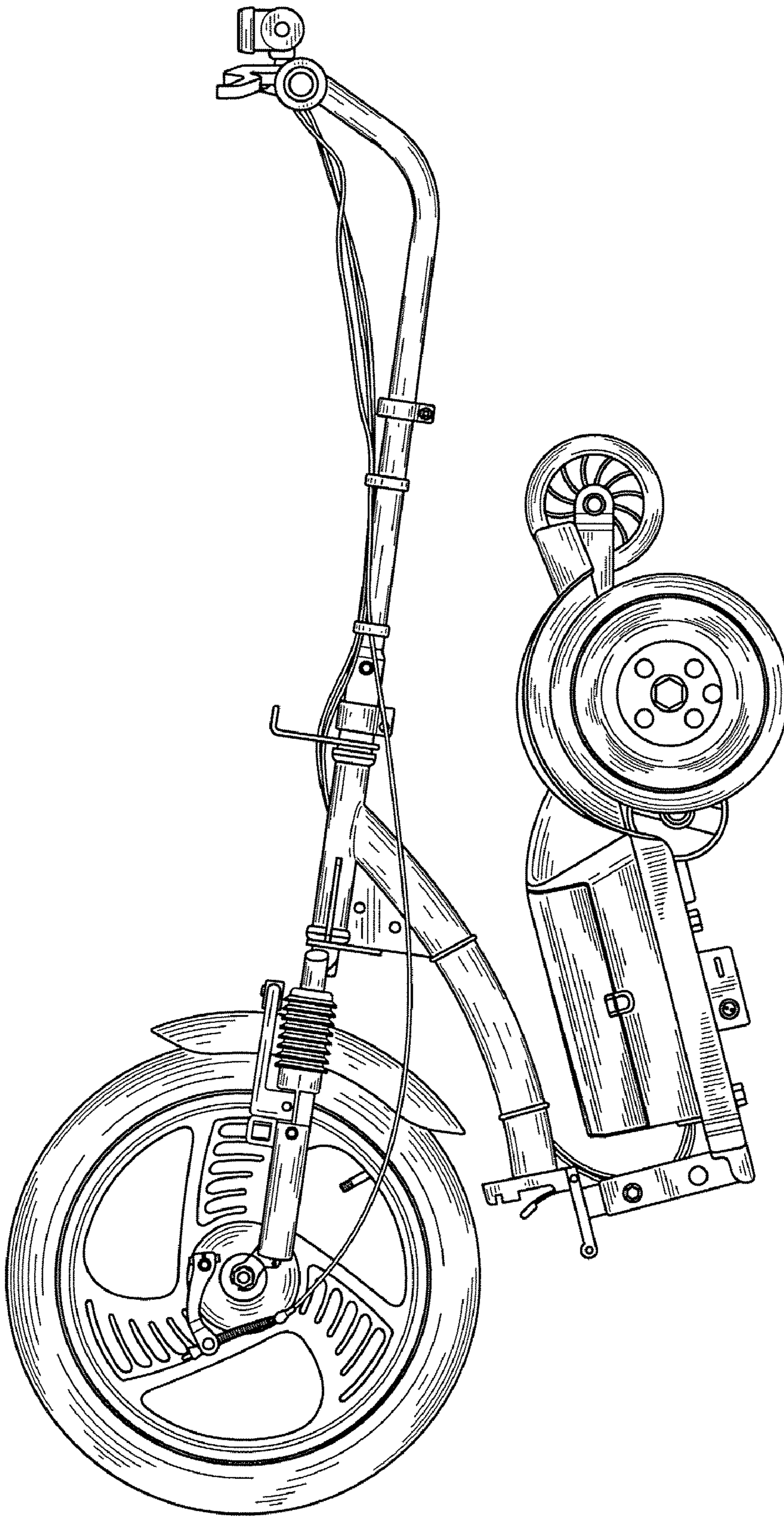


FIG. 6

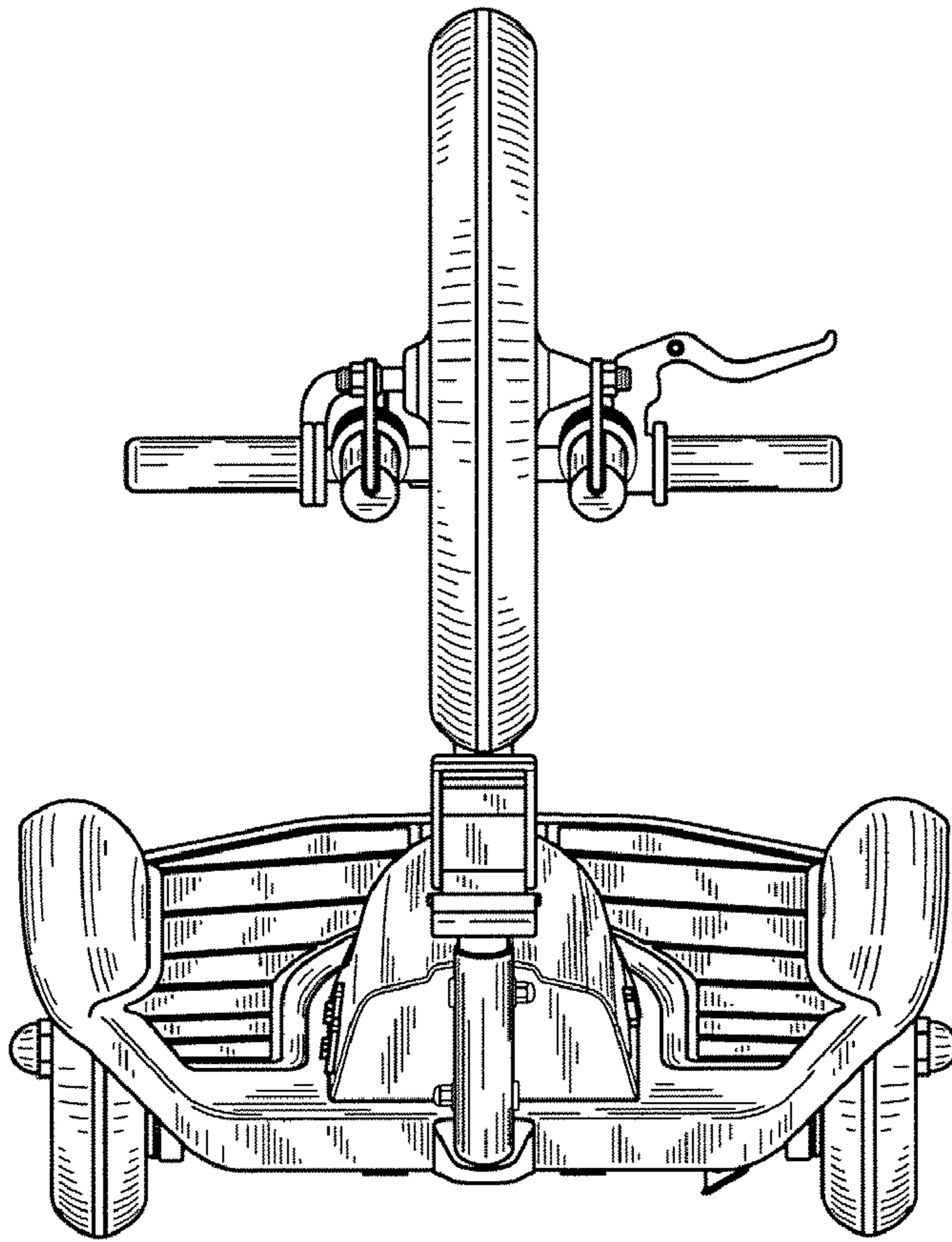


FIG. 7

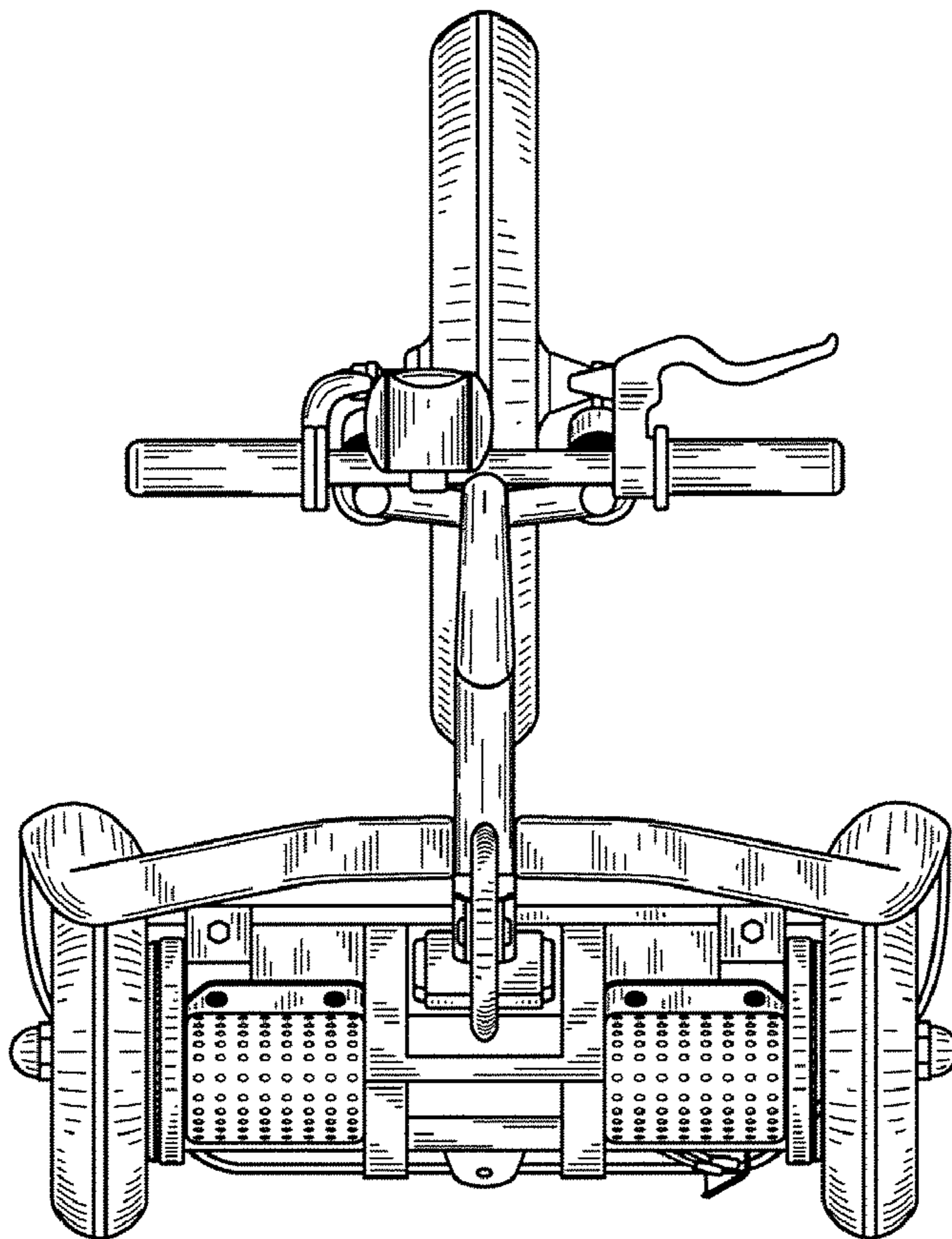


FIG. 8