



US00D566784S

(12) **United States Design Patent**  
**Palmer**

(10) **Patent No.:** **US D566,784 S**

(45) **Date of Patent:** **\*\* Apr. 15, 2008**

(54) **PLAYING CARD HOLDER**

(76) Inventor: **Joseph Palmer**, 122 Acadian Dr.,  
Stockbridge, GA (US) 30281

(\*\*) Term: **14 Years**

(21) Appl. No.: **29/270,584**

(22) Filed: **Dec. 28, 2006**

(51) **LOC (8) Cl.** ..... **21-01**

(52) **U.S. Cl.** ..... **D21/392**

(58) **Field of Classification Search** ..... D21/385,  
D21/392-396; 273/236-288, 148 R, 150,  
273/148 A; D19/91-92

See application file for complete search history.

(56) **References Cited**

**U.S. PATENT DOCUMENTS**

1,716,022	A	*	6/1929	Baker	.....	273/148 A
D219,523	S	*	12/1970	Larrowe	.....	D21/393
D220,349	S	*	3/1971	Holt	.....	D21/365
D241,052	S	*	8/1976	Brown	.....	D21/392
D257,159	S	*	9/1980	Hubbard et al.	.....	D21/392

D381,373	S	*	7/1997	Brown	.....	D21/392
D385,310	S	*	10/1997	Heitmann	.....	D21/393
D539,843	S	*	4/2007	Baker et al.	.....	D21/385

\* cited by examiner

*Primary Examiner*—Sandra L. Morris

(74) *Attorney, Agent, or Firm*—Myers & Kaplan, LLC;  
George P. Bonanto; Barry E. Kaplan

(57) **CLAIM**

The ornamental design for a playing card holder, as shown and described.

**DESCRIPTION**

FIG. 1 is a perspective view of a playing card holder.

FIG. 2 is a right view of a playing card holder.

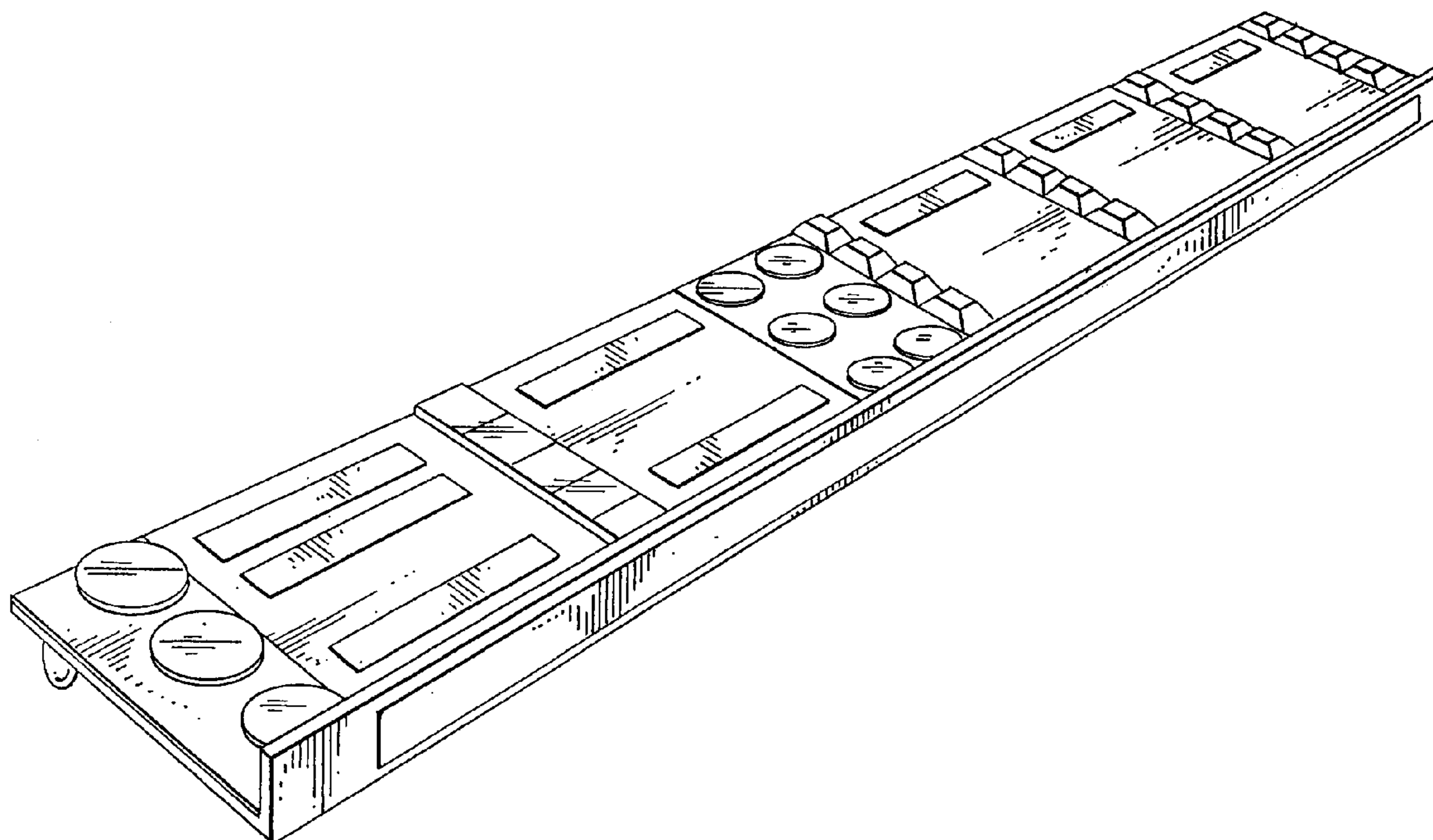
FIG. 3 is a left side view of a playing card holder.

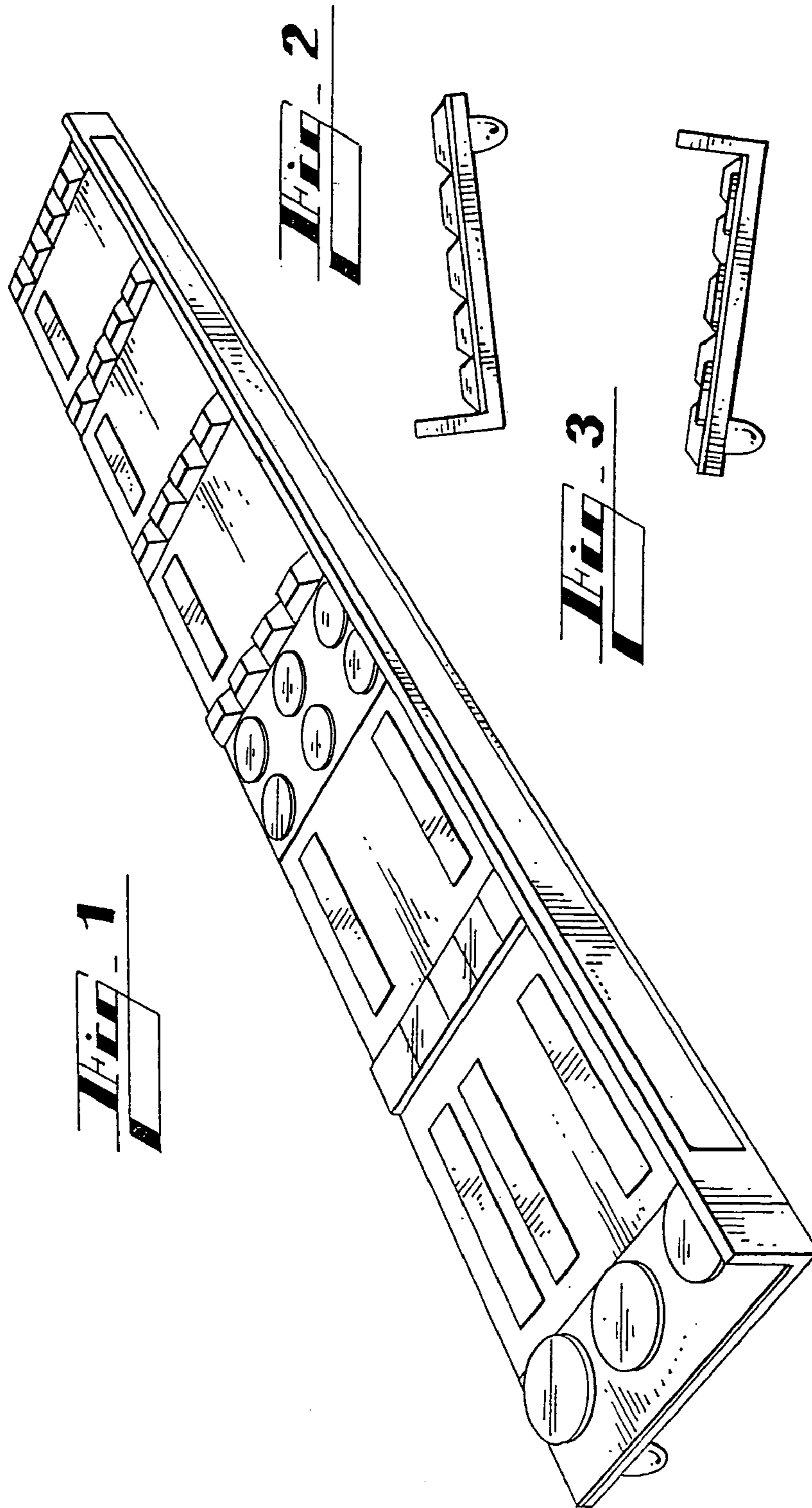
FIG. 4 is a rear view of a playing card holder.

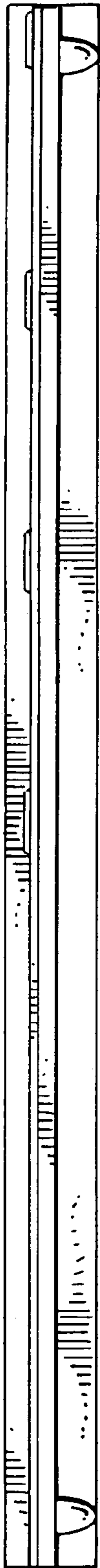
FIG. 5 is a top view of a playing card holder; and,

FIG. 6 is a front view of a playing card holder.

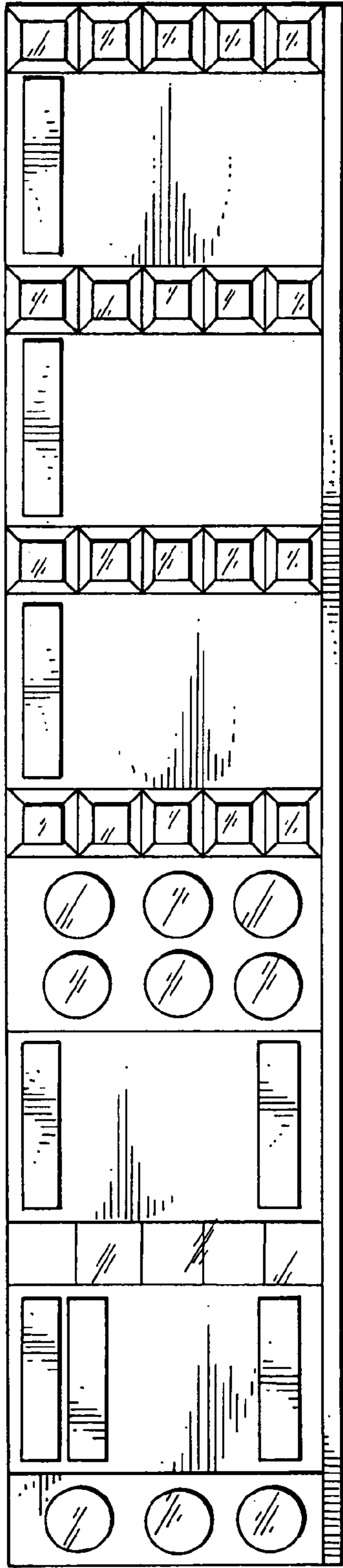
**1 Claim, 2 Drawing Sheets**



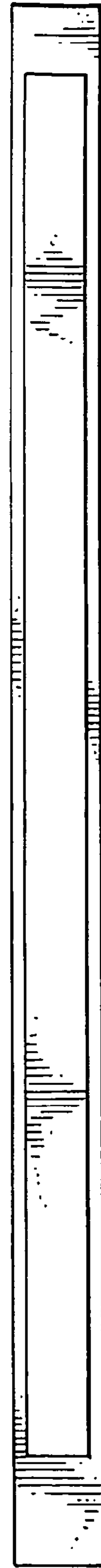




**Fig. 4**



**Fig. 5**



**Fig. 6**