

US00D566782S

(12) **United States Design Patent**
Ikeda et al.

(10) **Patent No.:** **US D566,782 S**
(45) **Date of Patent:** **** Apr. 15, 2008**

(54) **PORTION OF A PEDAL-BASED GAME CONTROLLER**

(75) Inventors: **John Ikeda**, Seattle, WA (US); **Joshua David Maruska**, Seattle, WA (US)

(73) Assignee: **Microsoft Corporation**, Redmond, WA (US)

(**) Term: **14 Years**

(21) Appl. No.: **29/275,198**

(22) Filed: **Dec. 15, 2006**

(51) **LOC (8) Cl.** **21-01**

(52) **U.S. Cl.** **D21/333; D14/419**

(58) **Field of Classification Search** D21/324,
D21/333, 328; D14/400, 419, 401, 412,
D14/413, 437; 273/148 B; 453/37, 38,
453/46, 1, 47; 345/156, 161; 434/43, 45
See application file for complete search history.

(56) **References Cited**

U.S. PATENT DOCUMENTS

- 5,148,152 A * 9/1992 Stueckle et al. 345/156
- 5,166,467 A * 11/1992 Brown 84/715
- D339,612 S * 9/1993 Carter et al. D14/419
- 5,334,997 A * 8/1994 Scallon 345/167
- D362,278 S * 9/1995 Hayes D14/419

- D368,496 S * 4/1996 Seger D14/419
- 5,610,631 A * 3/1997 Bouton et al. 345/161
- 5,745,055 A * 4/1998 Redlich et al. 341/20
- 5,841,426 A * 11/1998 Dodson et al. 345/163
- D460,760 S * 7/2002 Whitehorn et al. D14/419
- D503,173 S * 3/2005 Hussaini et al. D14/419

* cited by examiner

Primary Examiner—Prabhakar Deshmukh

(74) *Attorney, Agent, or Firm*—Banner & Witcoff, Ltd.

(57) **CLAIM**

The ornamental design for a portion of a pedal-based game controller, as shown and described.

DESCRIPTION

FIG. 1 is a front perspective view of the portion of a pedal-based game controller showing our new design;

FIG. 2 is a front view thereof;

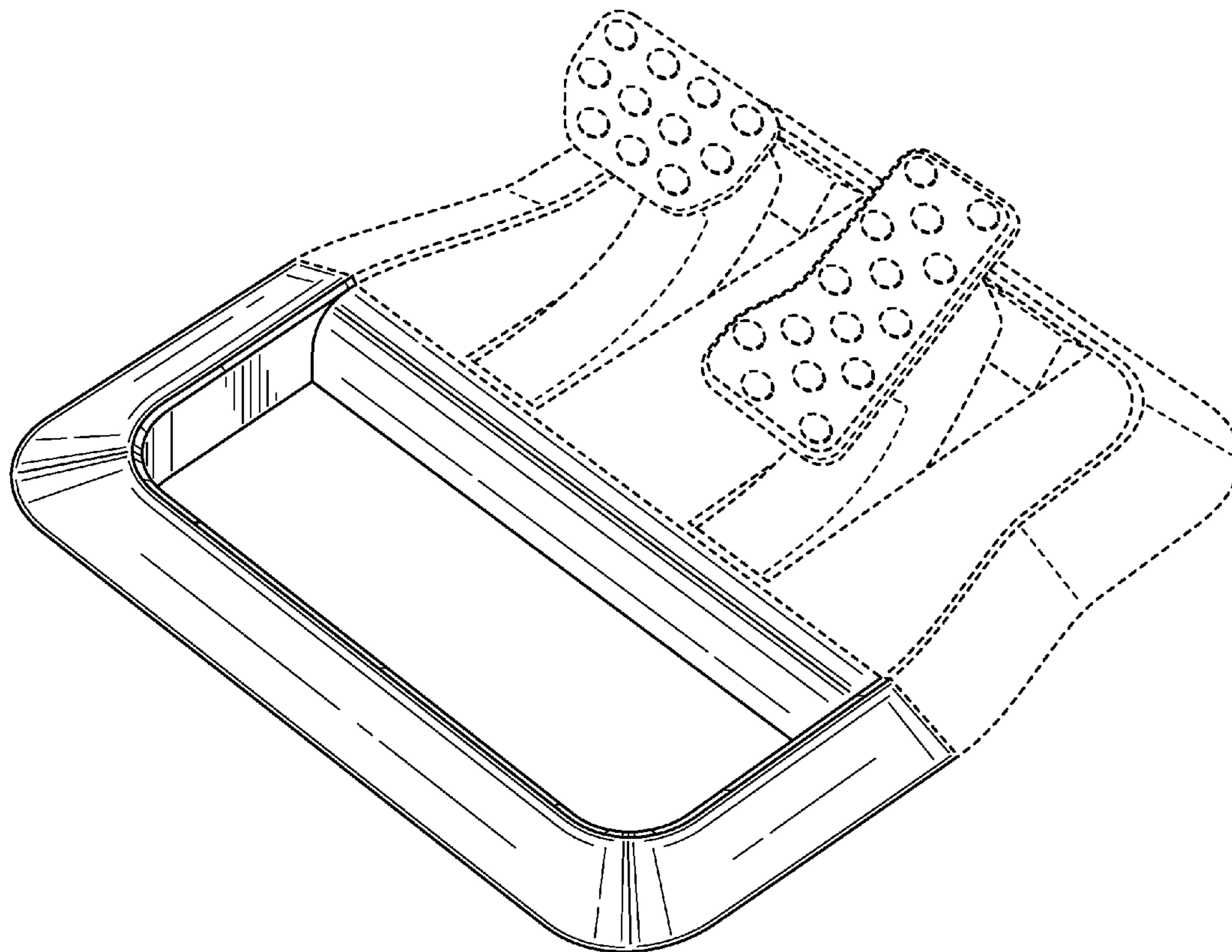
FIG. 3 is a left view thereof;

FIG. 4 is a top view thereof; and,

FIG. 5 is a top view thereof.

The broken line showing of the remainder of the portion of a pedal-based game controller is for illustrative purposes only and forms no part of the claimed design.

1 Claim, 4 Drawing Sheets



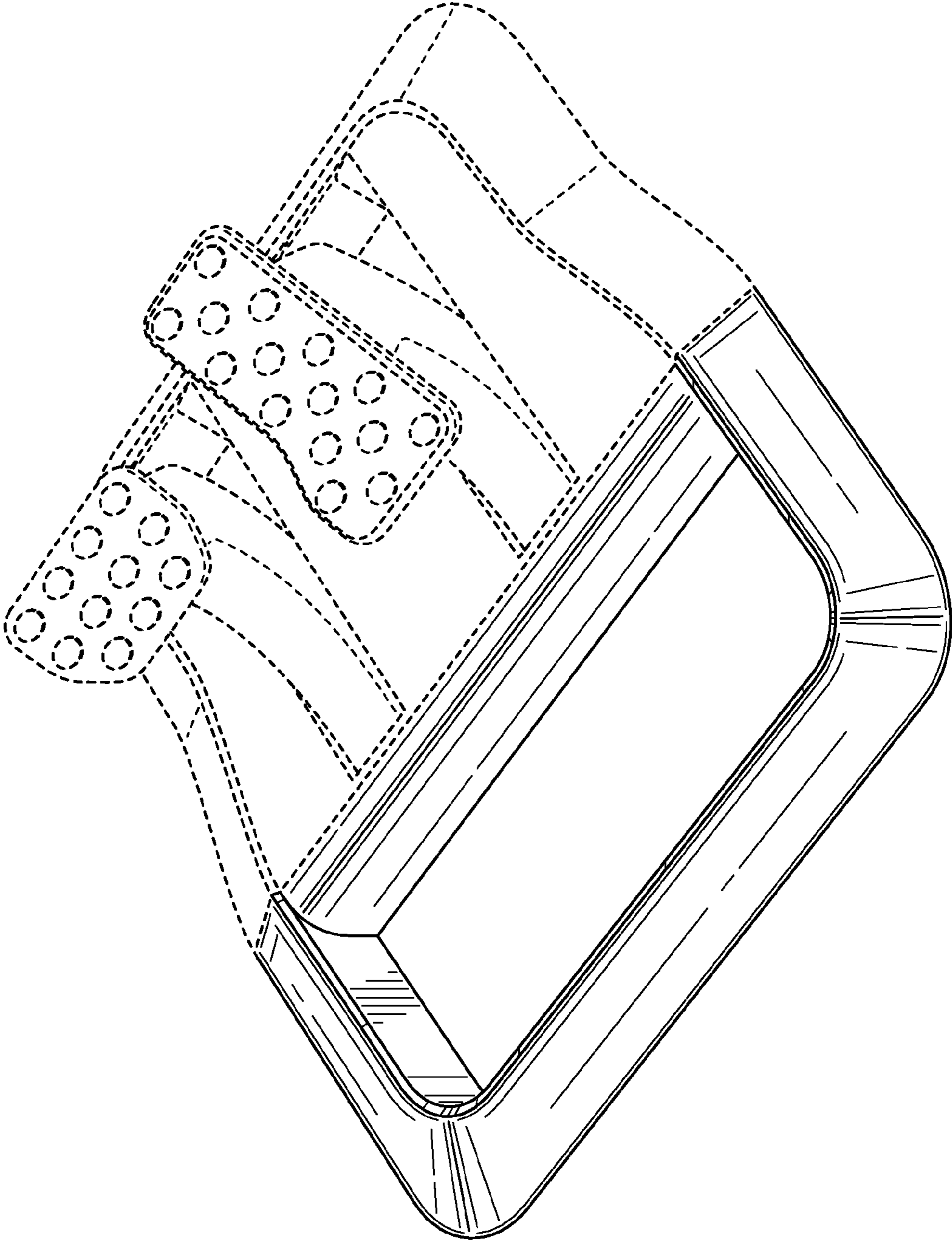


FIG. 1

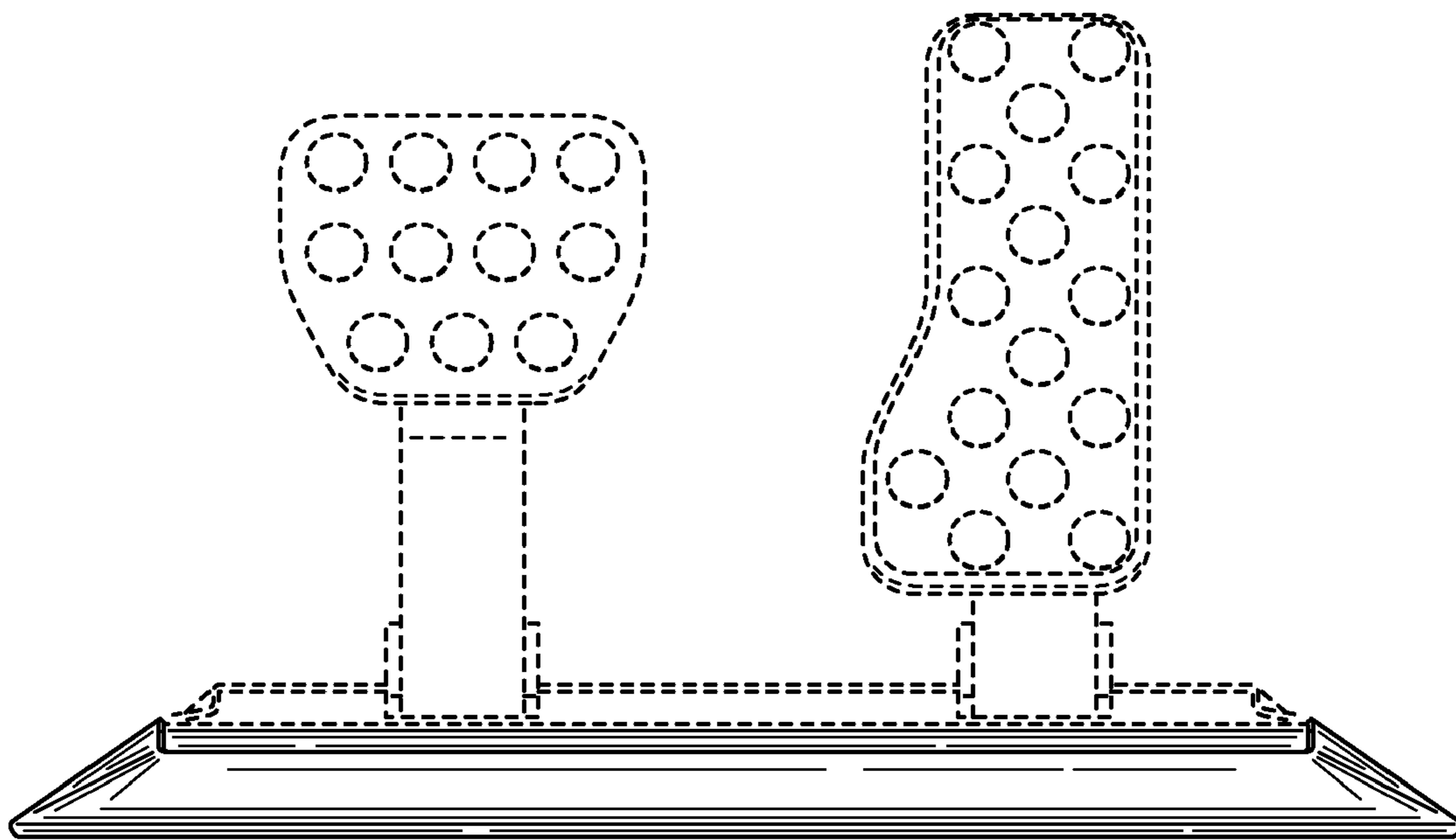


FIG. 2

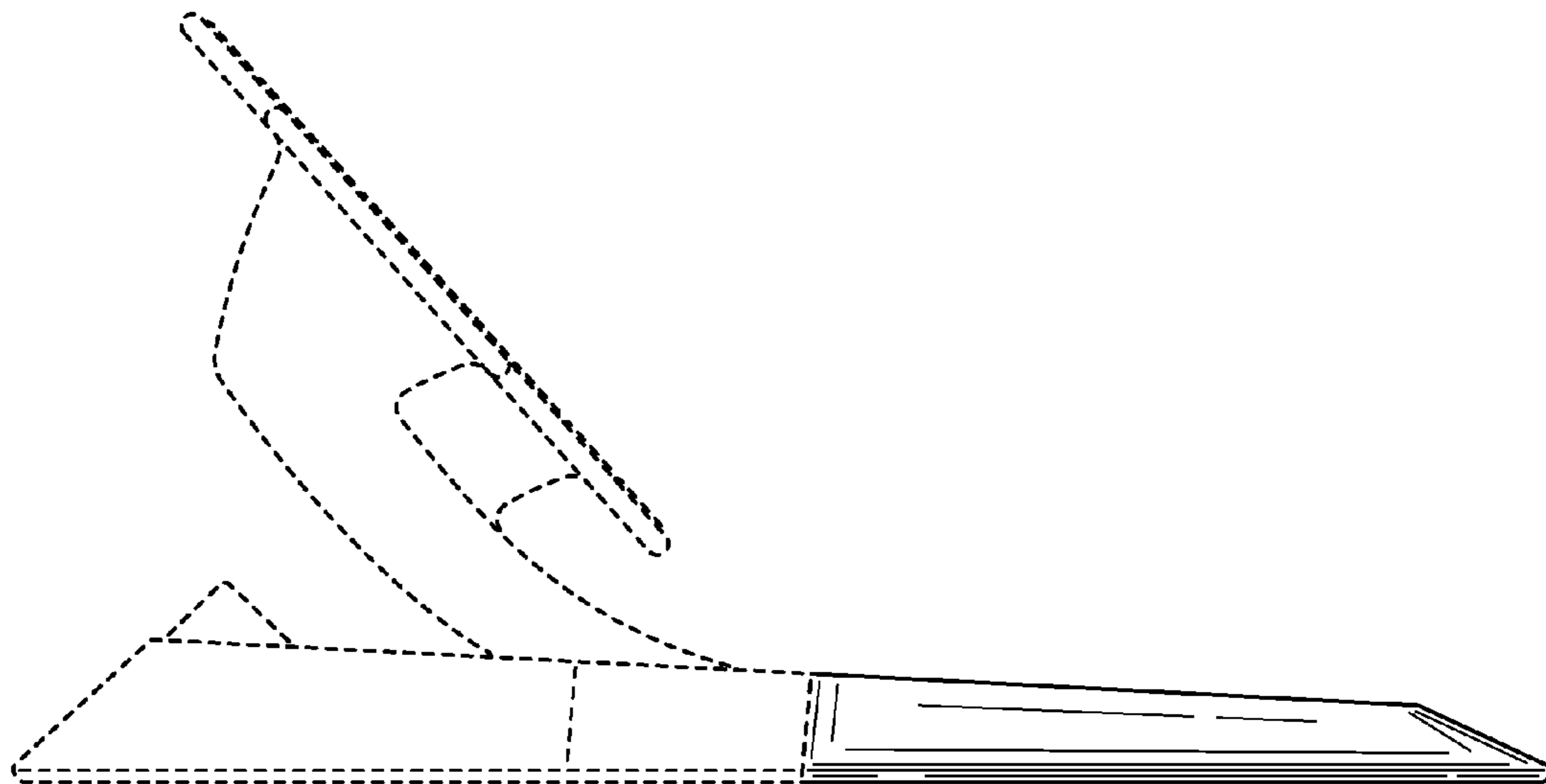


FIG. 3

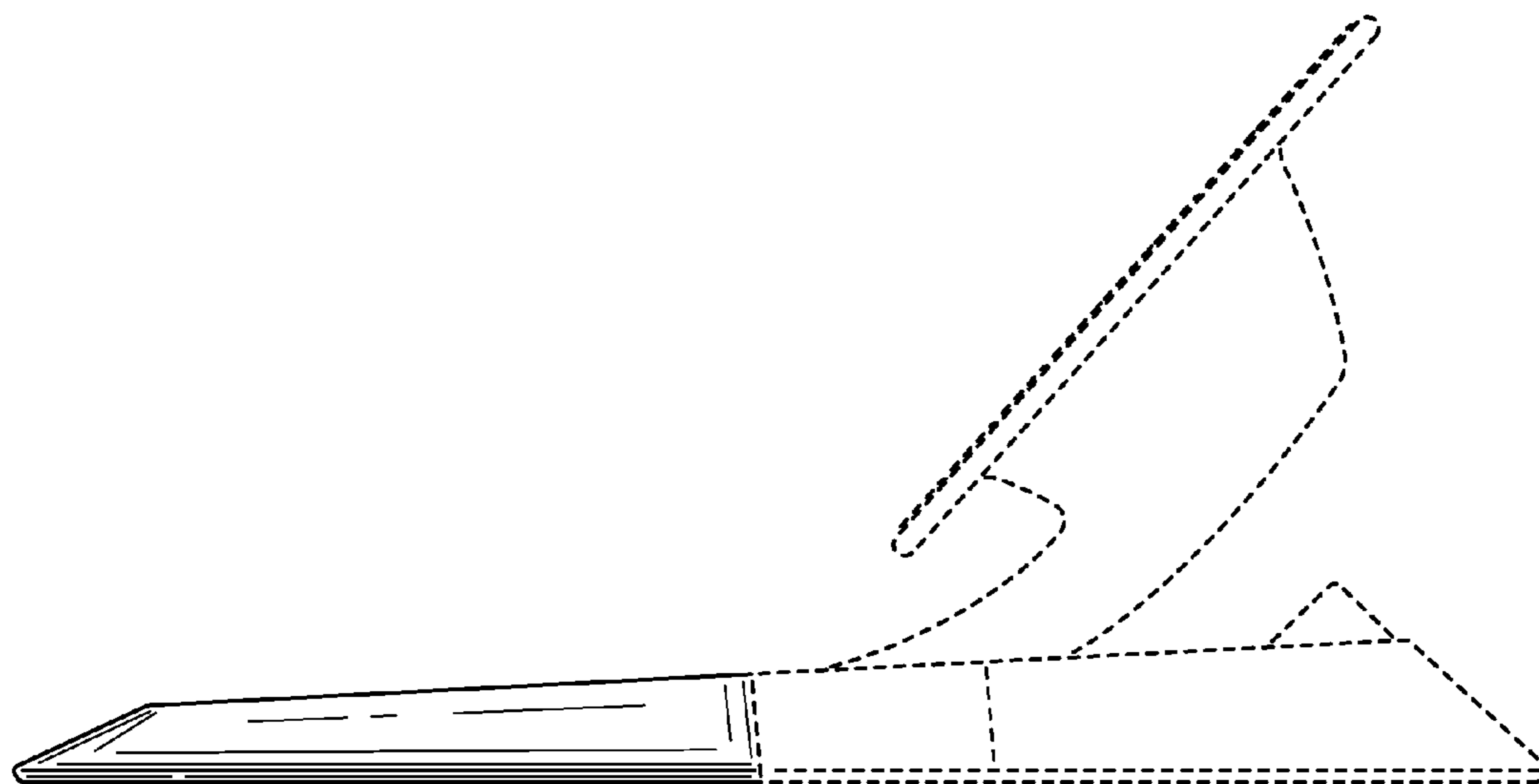


FIG. 4

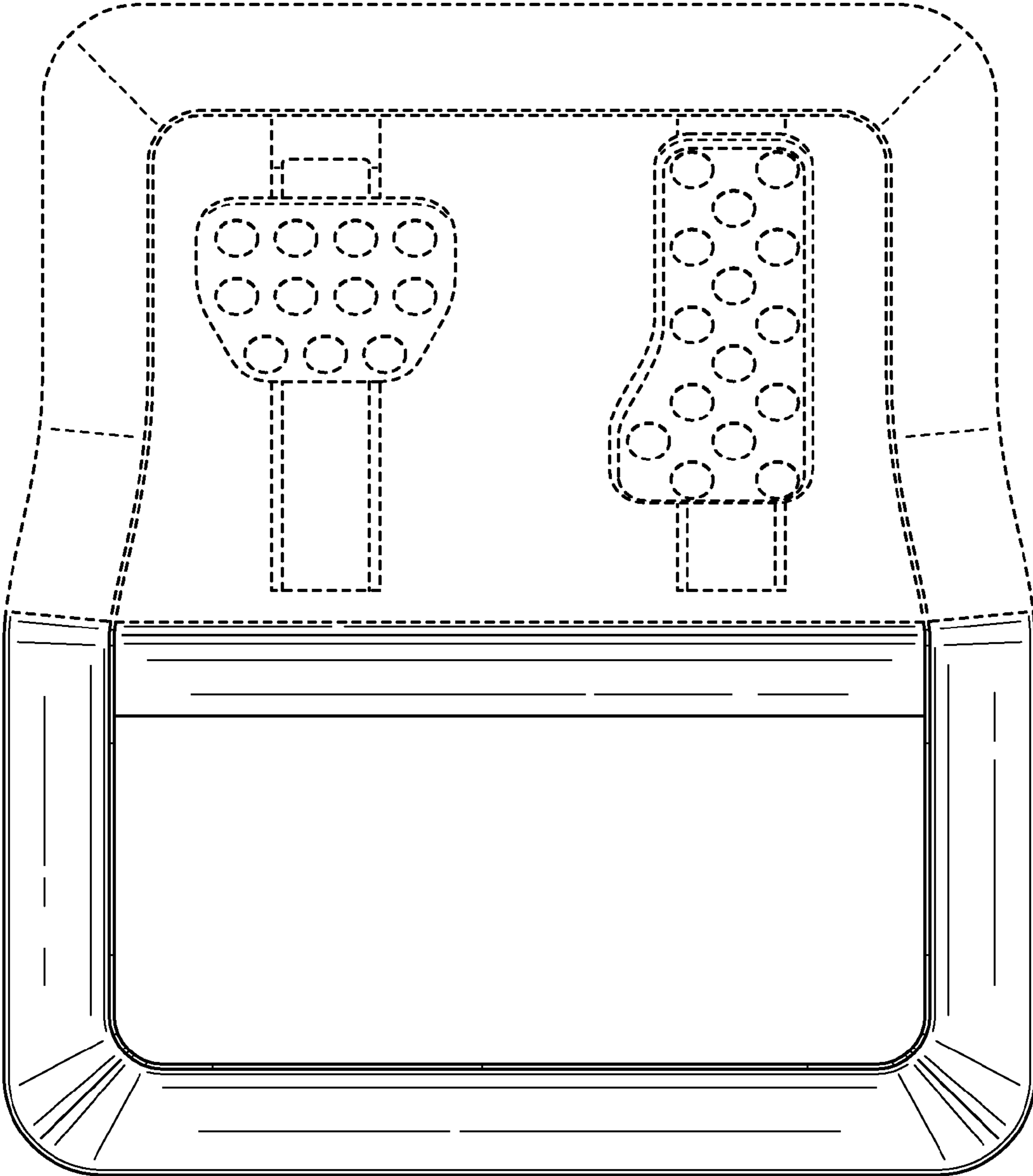


FIG. 5