



US00D566781S

(12) **United States Design Patent**
Ikeda et al.

(10) **Patent No.:** **US D566,781 S**
(45) **Date of Patent:** **** Apr. 15, 2008**

(54) **PORTION OF A STEERING WHEEL BASED GAME CONTROLLER**

6,976,677 B1 * 12/2005 McVicar 273/148 B
D522,516 S * 6/2006 Hussaini et al. D14/414
D553,622 S * 10/2007 Petrotta D14/414
7,316,618 B2 * 1/2008 Hsu 463/37

(75) Inventors: **John Ikeda**, Seattle, WA (US); **Joshua David Maruska**, Seattle, WA (US)

* cited by examiner

(73) Assignee: **Microsoft Corporation**, Redmond, WA (US)

Primary Examiner—Prabhakar Deshmukh
(74) *Attorney, Agent, or Firm*—Banner & Witcoff, Ltd.

(**) Term: **14 Years**

(57) **CLAIM**

(21) Appl. No.: **29/275,197**

The ornamental design for a portion of a steering wheel based game controller, as shown and described.

(22) Filed: **Dec. 15, 2006**

(51) **LOC (8) Cl.** **21-01**

DESCRIPTION

(52) **U.S. Cl.** **D21/333; D14/419**

FIG. 1 is a front perspective view of a portion of a steering wheel based game controller showing our new design;

(58) **Field of Classification Search** D21/324,

D21/333, 328; D14/400, 419, 401–414,

FIG. 2 is a front view thereof;

D14/437; 273/148 B; 453/37, 38, 46, 1,

FIG. 3 is a rear view thereof;

453/47; 345/156, 161; 434/43, 45

FIG. 4 is a left view thereof;

See application file for complete search history.

FIG. 5 is a right view thereof; and,

(56) **References Cited**

FIG. 6 is a top view thereof.

U.S. PATENT DOCUMENTS

The broken line showing of the steering wheel and various other regions, and the remainder of the portion of the game controller is for illustrative purposes only and forms no part of the claimed design.

D393,493 S * 4/1998 Lee D21/477

5,829,745 A * 11/1998 Houle 273/148 B

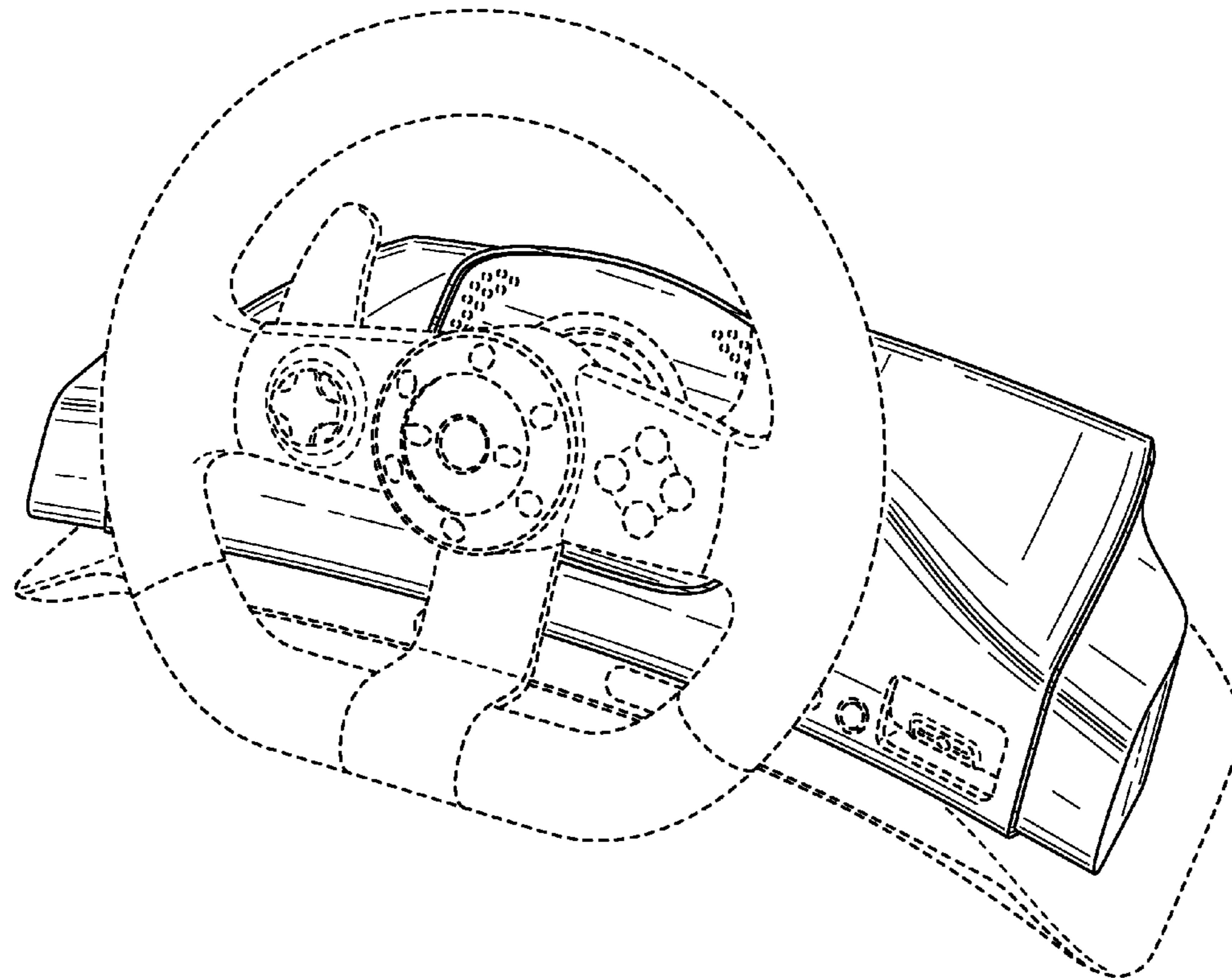
6,159,099 A * 12/2000 Chen 463/37

6,279,906 B1 * 8/2001 Sanderson et al. 273/148 B

D451,557 S * 12/2001 Yu D21/328

D497,365 S * 10/2004 Hussaini et al. D14/414

1 Claim, 4 Drawing Sheets



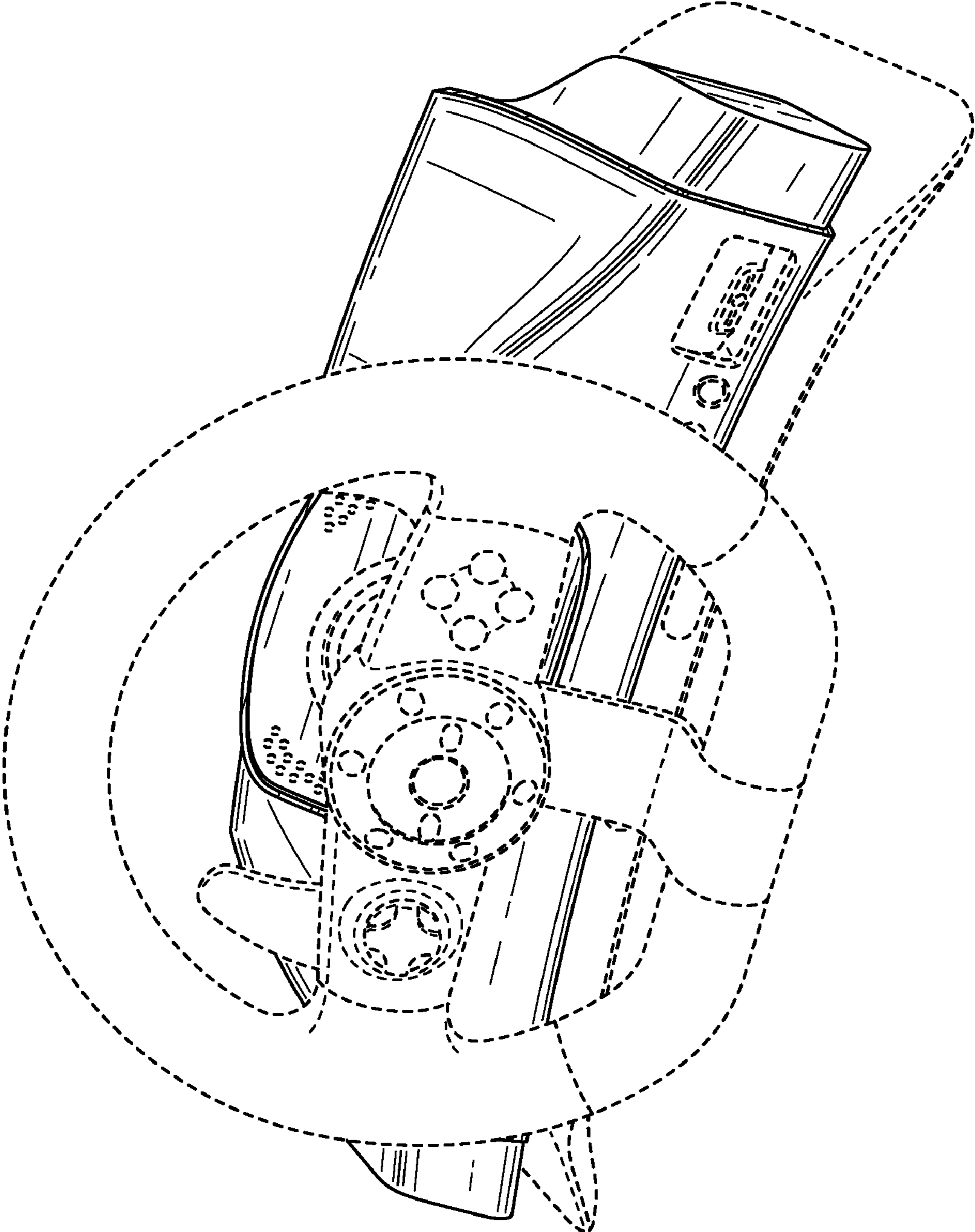


FIG. 1

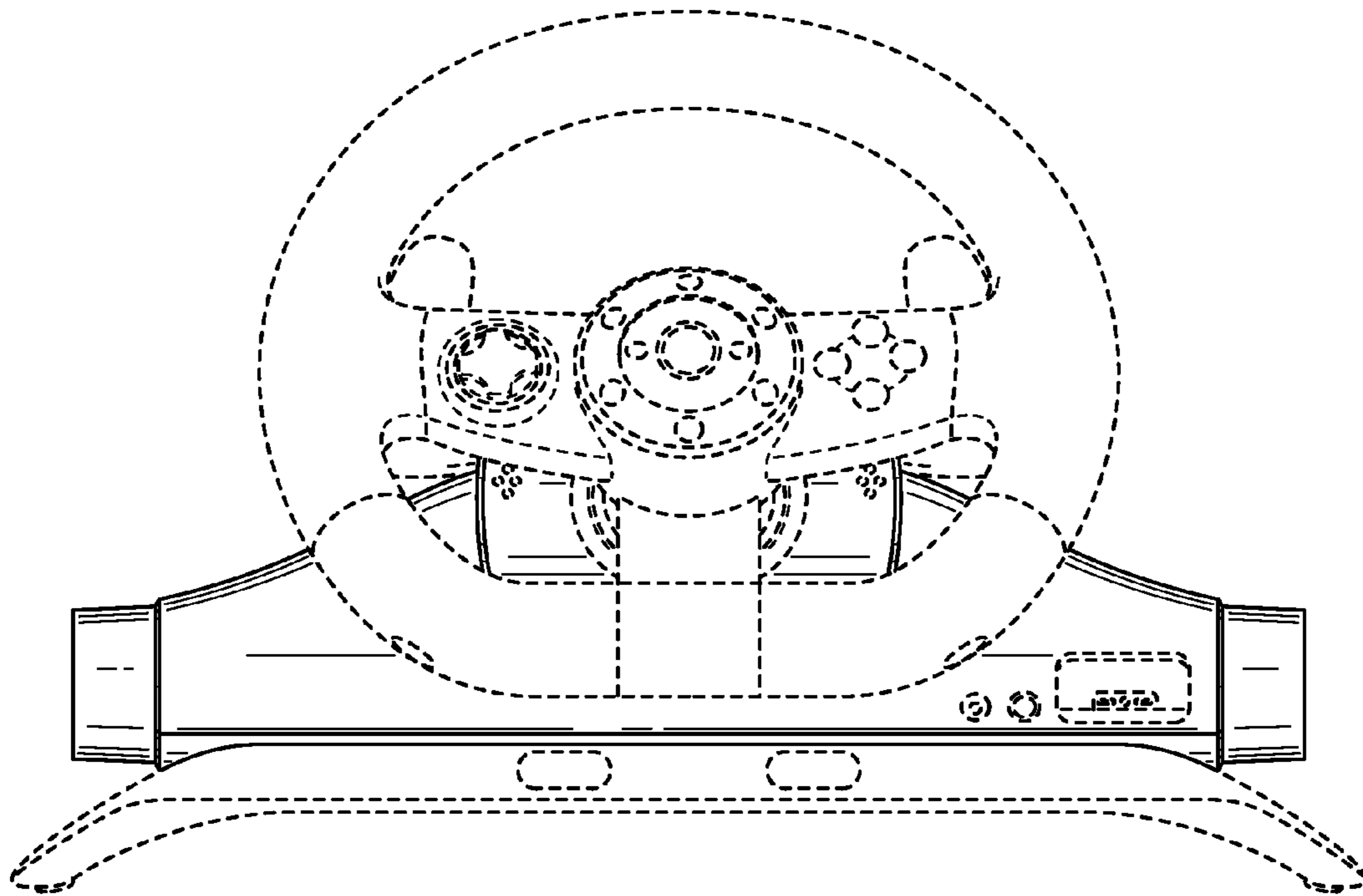


FIG. 2

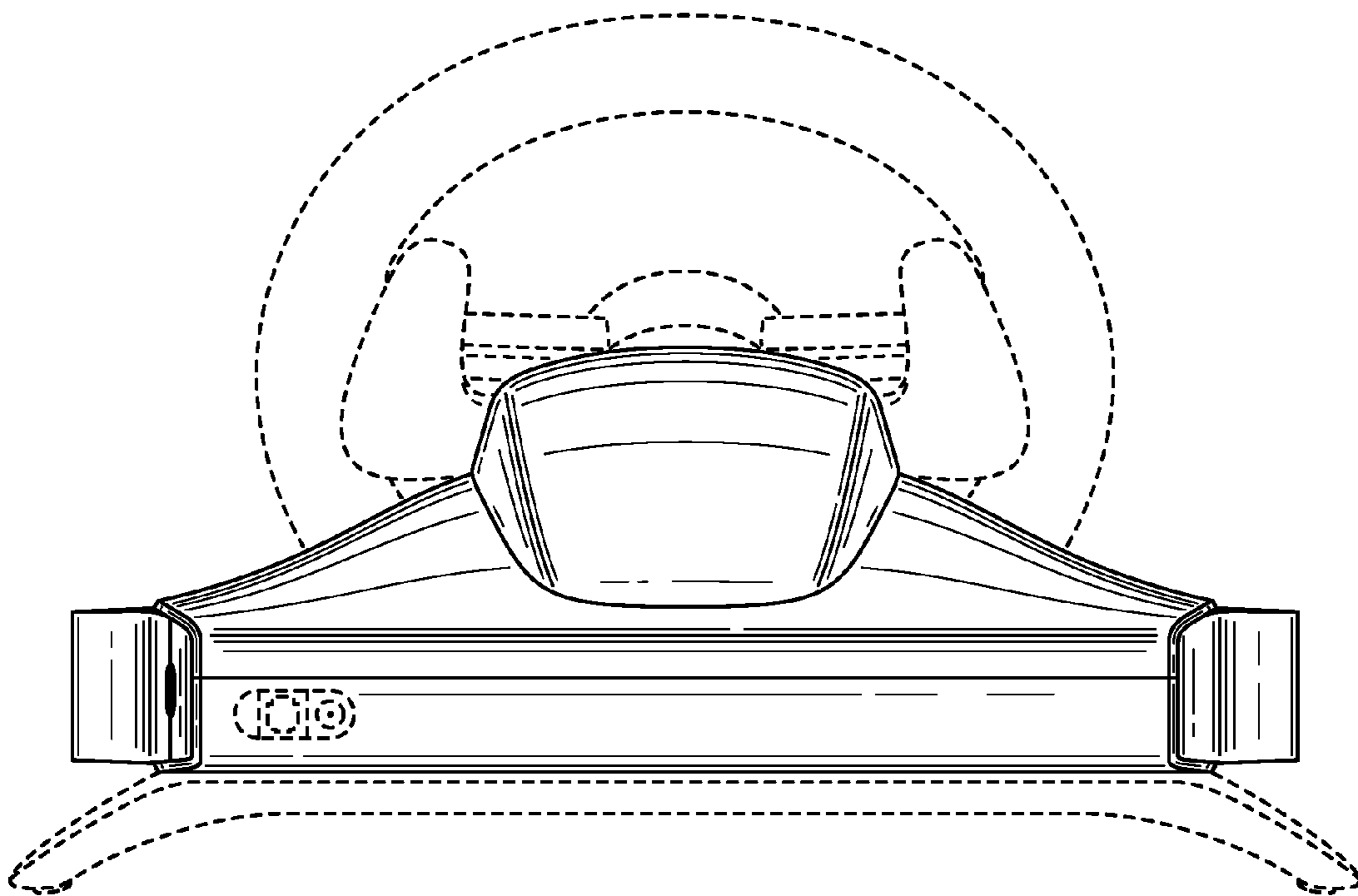


FIG. 3

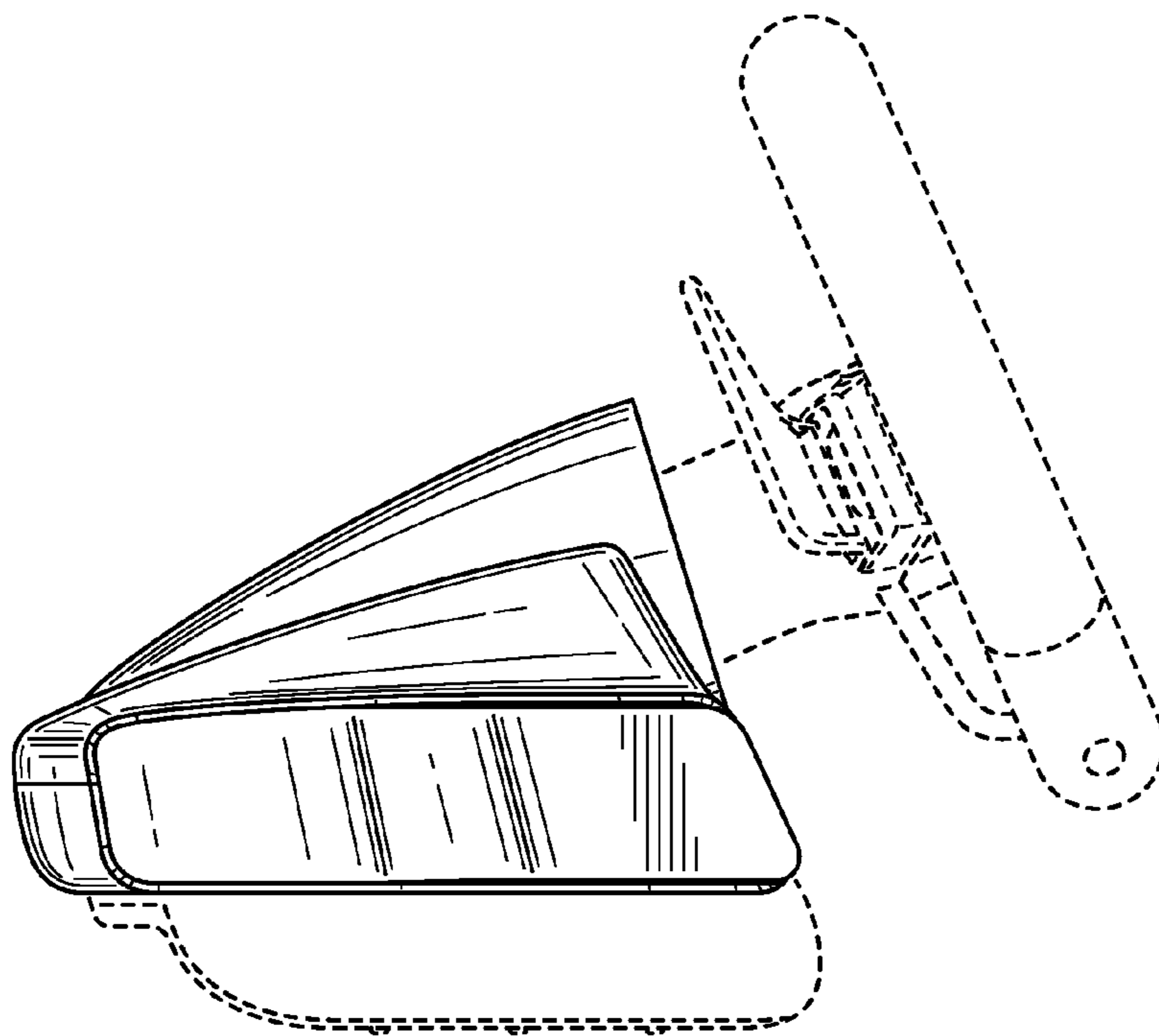


FIG. 4

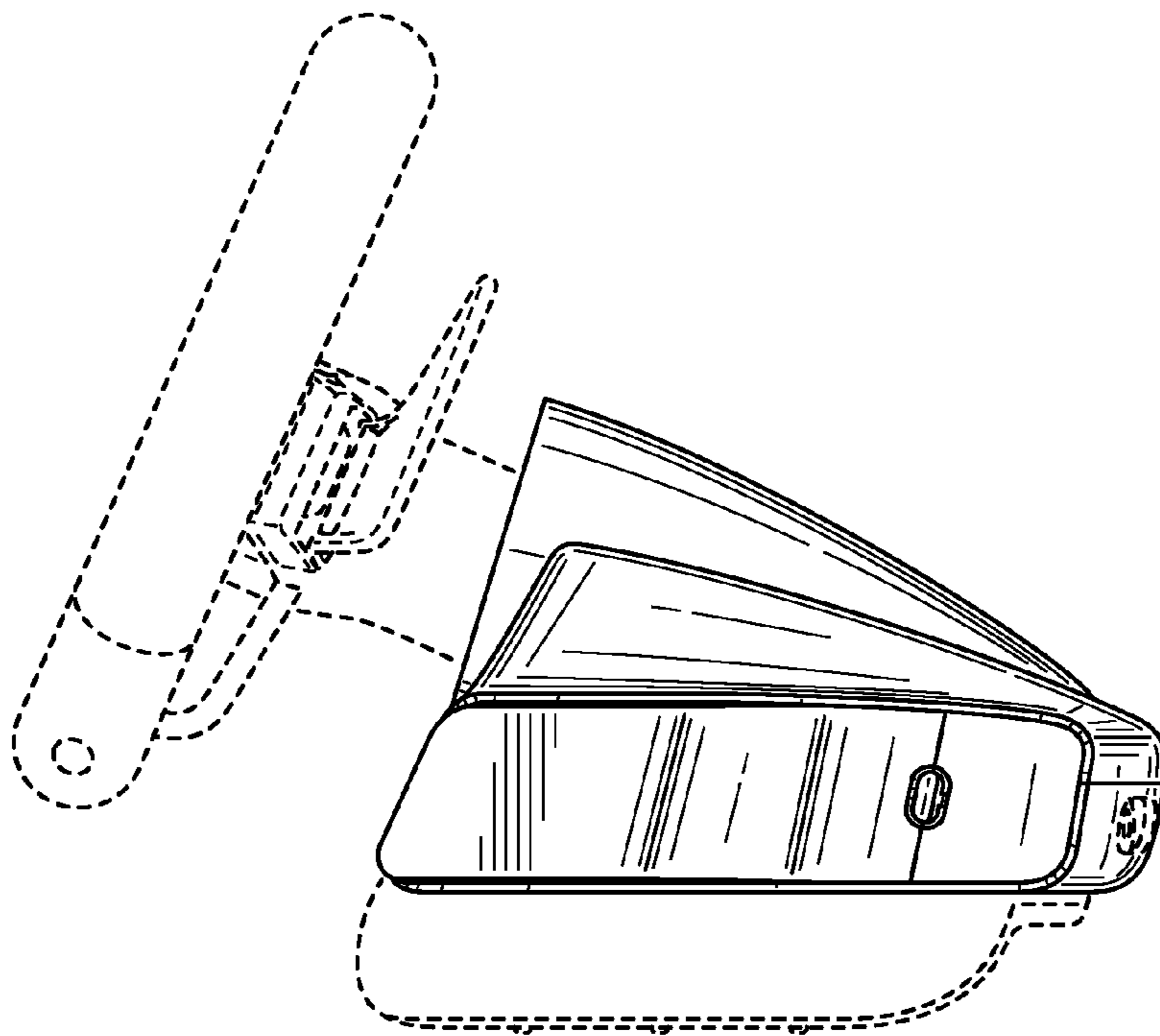


FIG. 5

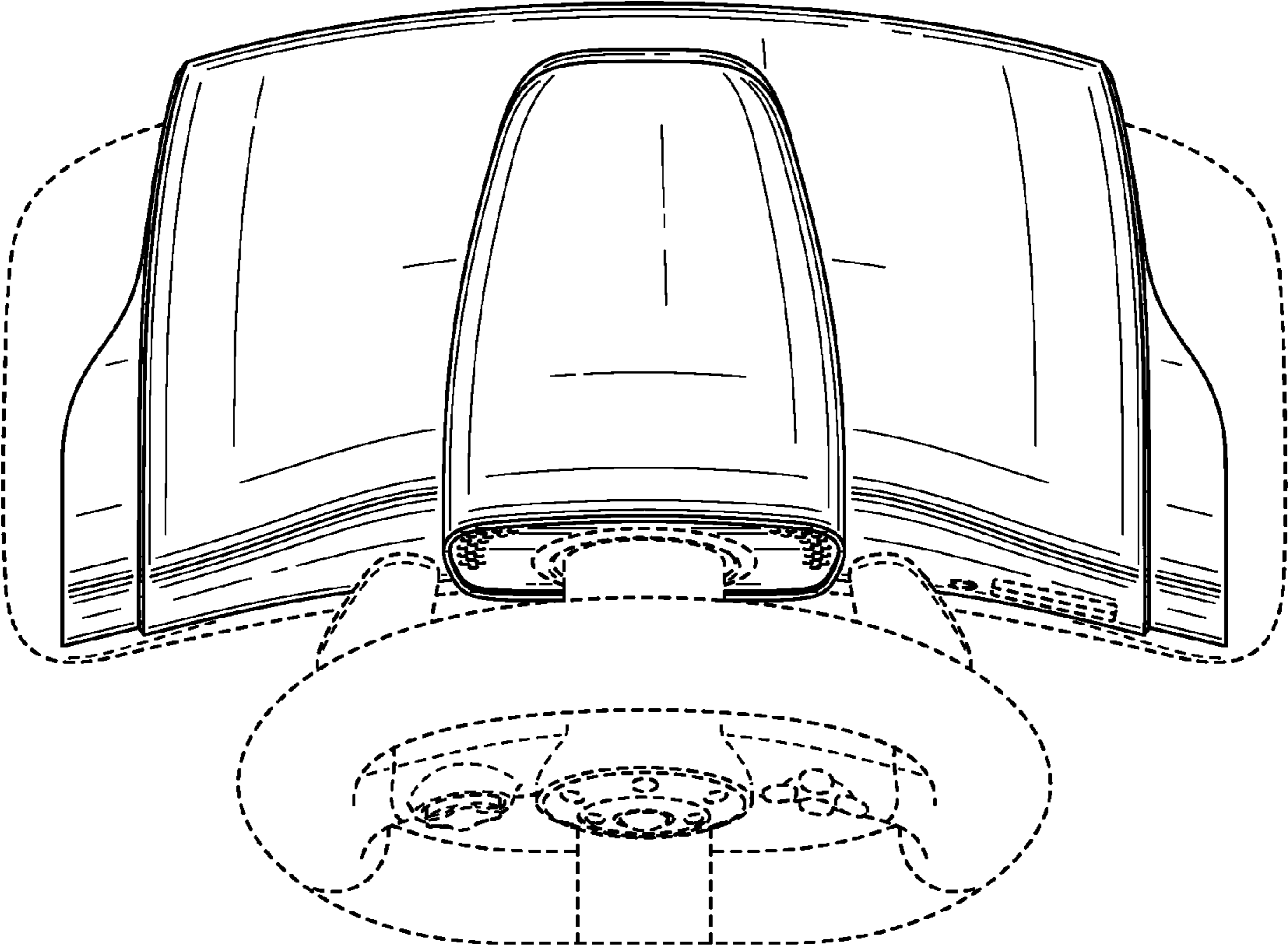


FIG. 6