



US00D566780S

(12) **United States Design Patent**  
**Vazquez Gastellú**

(10) **Patent No.:** **US D566,780 S**

(45) **Date of Patent:** **\*\* Apr. 15, 2008**

(54) **TUMBLER TOY**

(75) Inventor: **Alma Rosa Vazquez Gastellú**, Morelos (MX)

(73) Assignee: **Abastecedora Rimova S.A. de C.V.**, Del. Alvaro Obregon, CF (MX)

(\*\*) Term: **14 Years**

(21) Appl. No.: **29/283,473**

(22) Filed: **Aug. 15, 2007**

**Related U.S. Application Data**

(62) Division of application No. 29/243,896, filed on Dec. 2, 2005.

(51) **LOC (8) Cl.** ..... **21-01**

(52) **U.S. Cl.** ..... **D21/312; D21/300; D21/333**

(58) **Field of Classification Search** ..... D21/312, D21/314, 321-323, 334, 358, 342, 349, 397; 273/108, 108.1, 118 R, 121 R, 123 R, 236, 273/241, 259, 281, 287; 446/236, 268, 269, 446/270, 275, 324, 396, 431

See application file for complete search history.

(56) **References Cited**

**U.S. PATENT DOCUMENTS**

- 2,928,673 A \* 3/1960 Paul ..... 472/12
- 2,998,249 A \* 8/1961 Paul ..... 472/12
- 4,314,422 A \* 2/1982 Wexler ..... 446/269
- 4,557,701 A \* 12/1985 Giallombardo ..... 446/170
- D312,852 S \* 12/1990 Wiseman et al. .... D21/590
- 6,019,130 A \* 2/2000 Rump ..... 137/601.01

- 7,188,994 B2 \* 3/2007 Poo et al. .... 366/187
- D544,069 S \* 6/2007 Vu et al. .... D23/201
- 7,258,591 B2 \* 8/2007 Xu et al. .... 446/273
- 7,287,479 B1 \* 10/2007 Huang ..... 112/470.35

\* cited by examiner

*Primary Examiner*—Prabhakar Deshmukh

(74) *Attorney, Agent, or Firm*—Egbert Law Offices

(57) **CLAIM**

The ornamental design for a tumbler toy, as shown and described.

**DESCRIPTION**

FIG. 1 is an exploded perspective view of a tumbler toy showing my design;

FIG. 2 is an enlarged fragmentary perspective view of a top of the tumbler toy with the scoop in a closed condition;

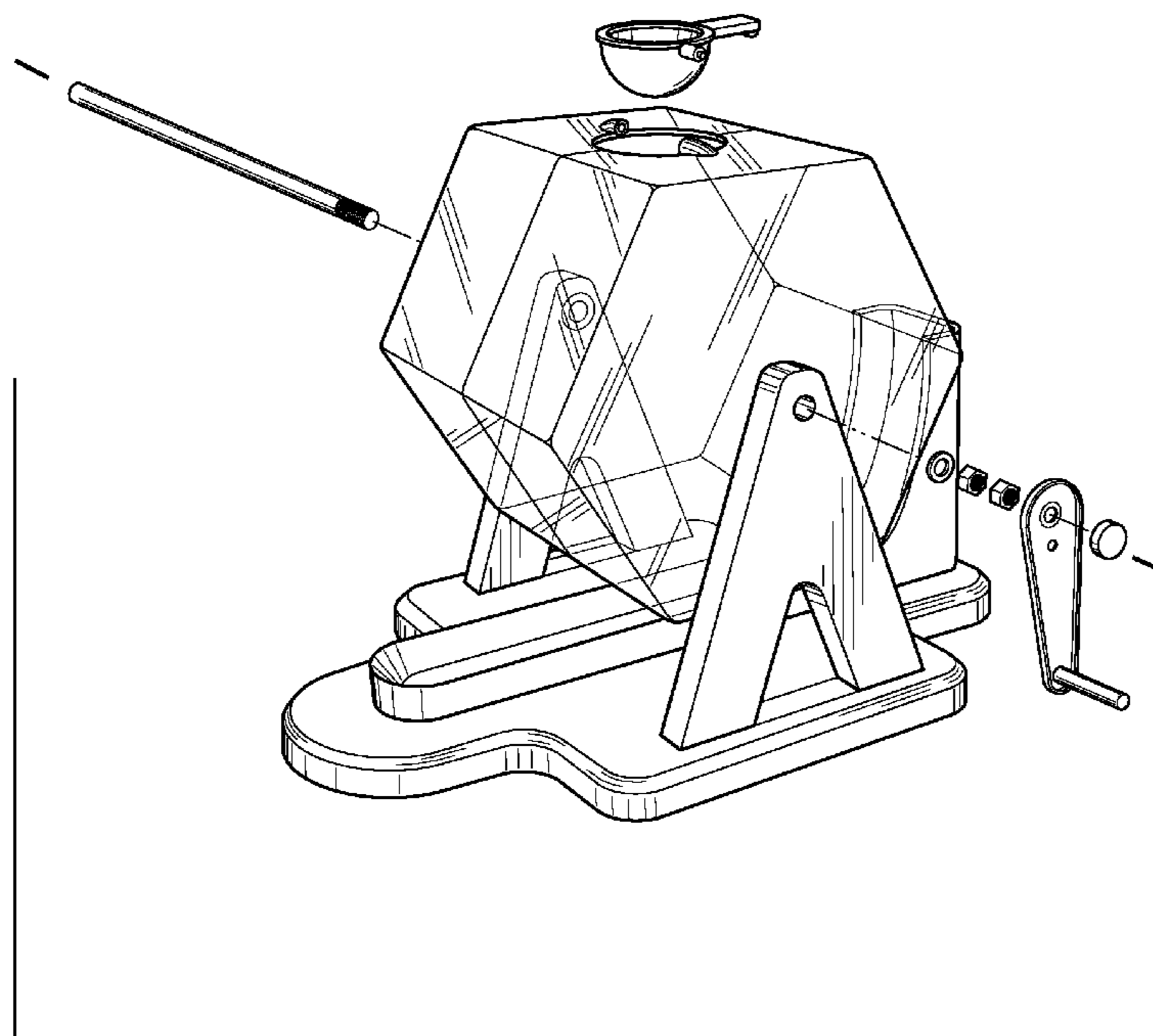
FIG. 3 is a fragmentary perspective view of a top of the tumbler toy with the scoop being shown in an alternate position;

FIG. 4 is a fragmentary perspective view of a side portion of the tumbler toy, shown in an alternate position with the scoop in another alternate position;

FIG. 5 is a fragmentary perspective view of a bottom of the tumbler toy, shown in an alternate position with the scoop in still another alternate position; and,

FIG. 6 is a fragmentary perspective view of an opposite side portion of the tumbler toy, shown in an alternate position with the scoop in yet another alternate position.

**1 Claim, 3 Drawing Sheets**



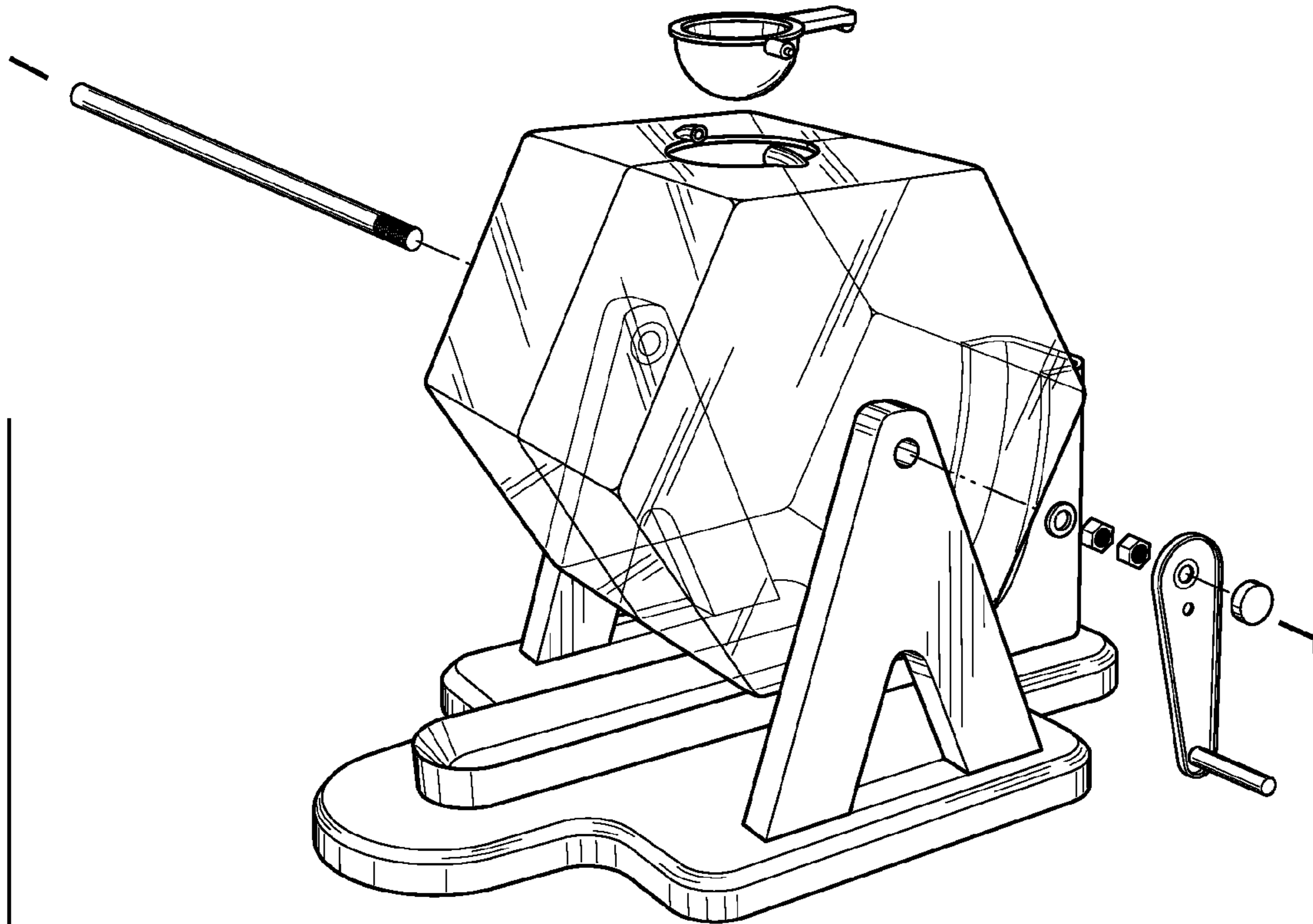
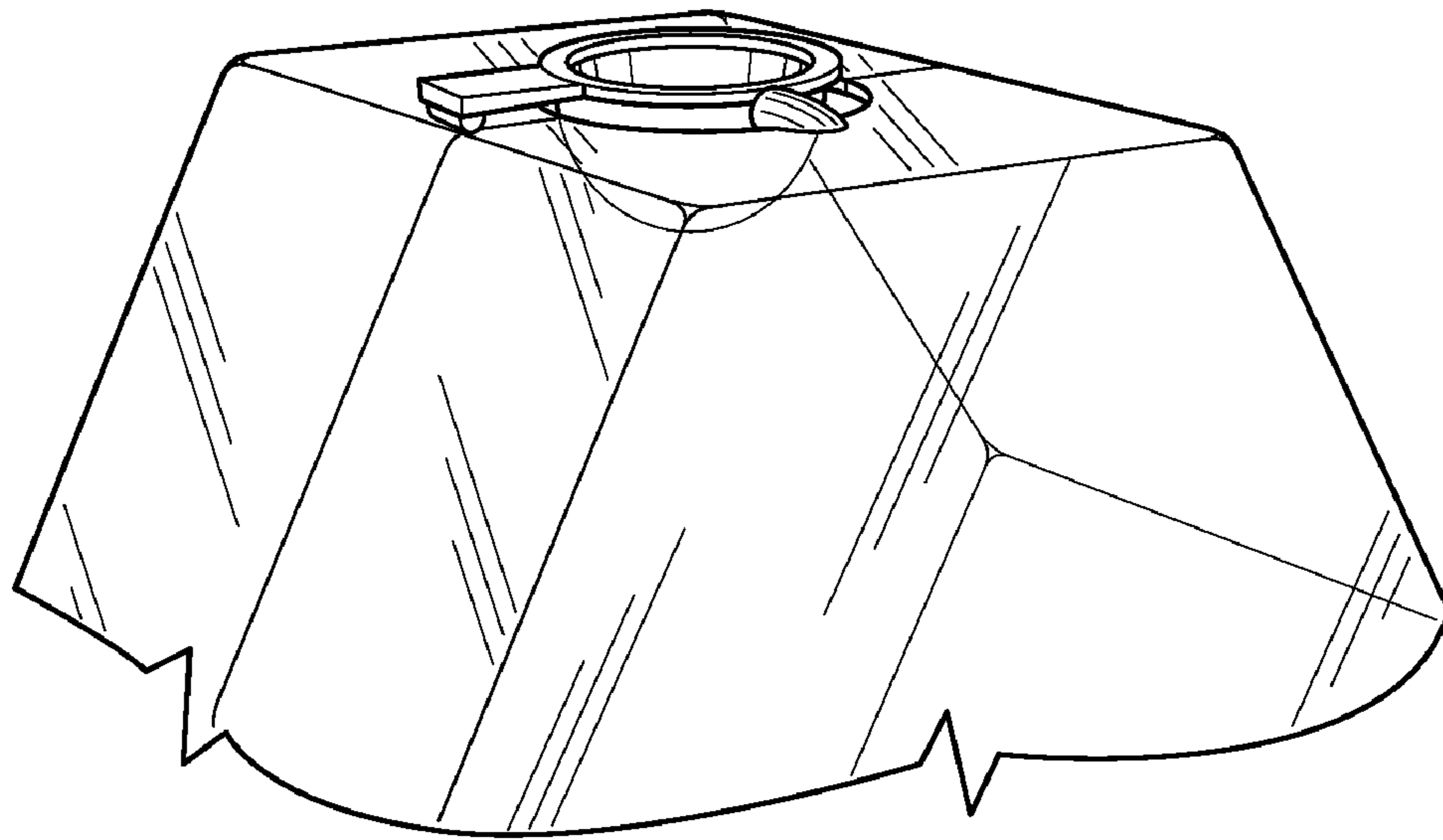
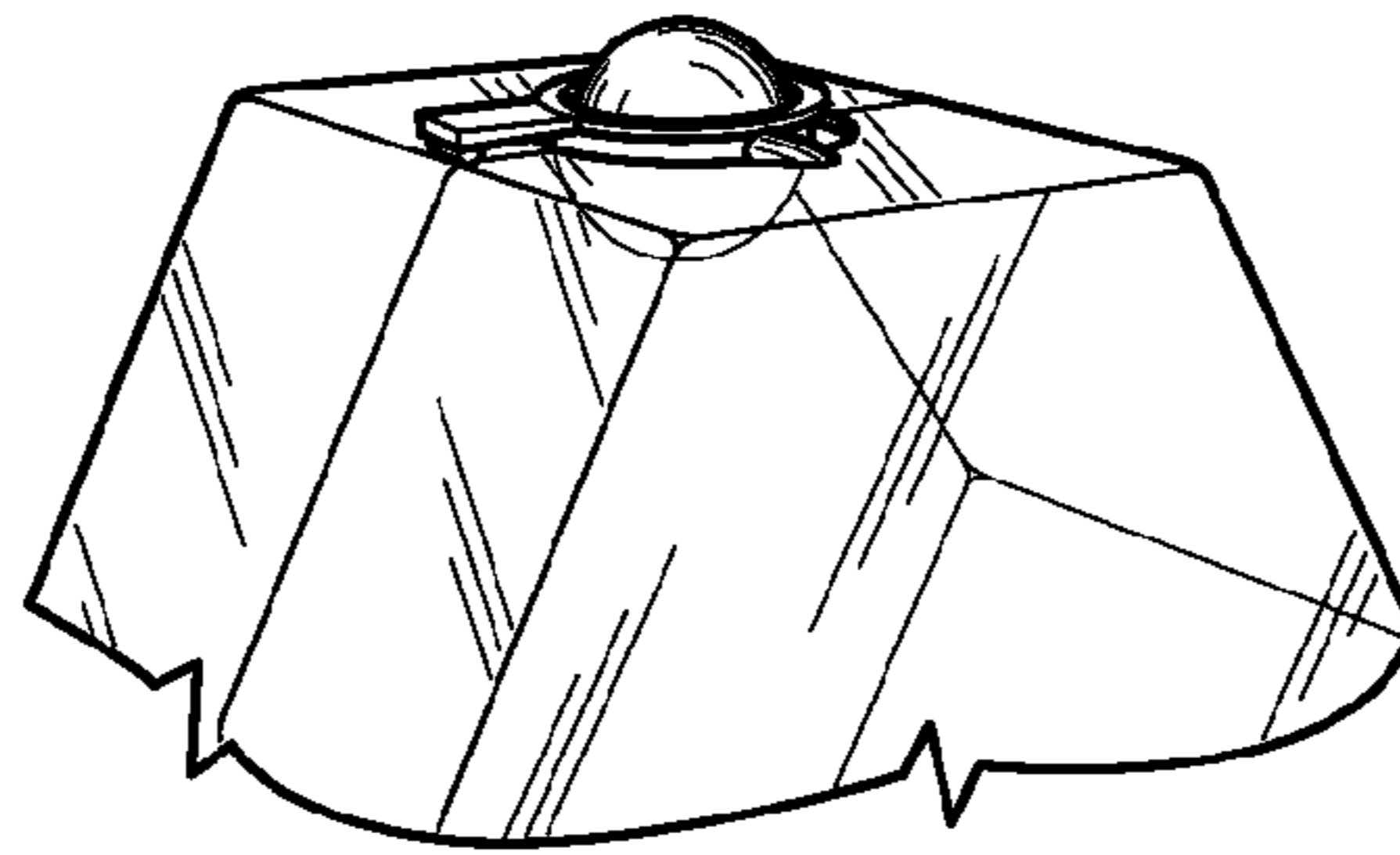


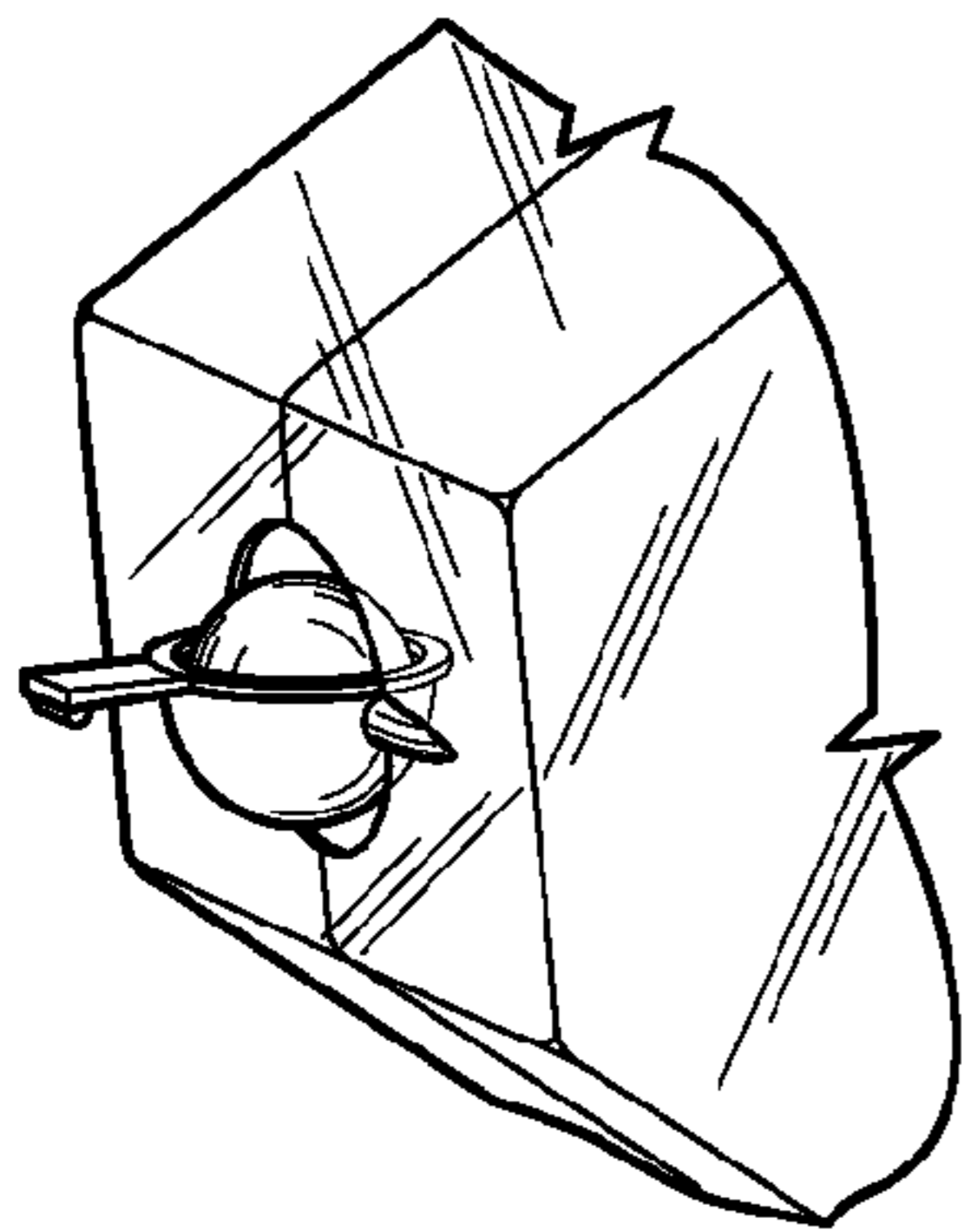
FIG. 1



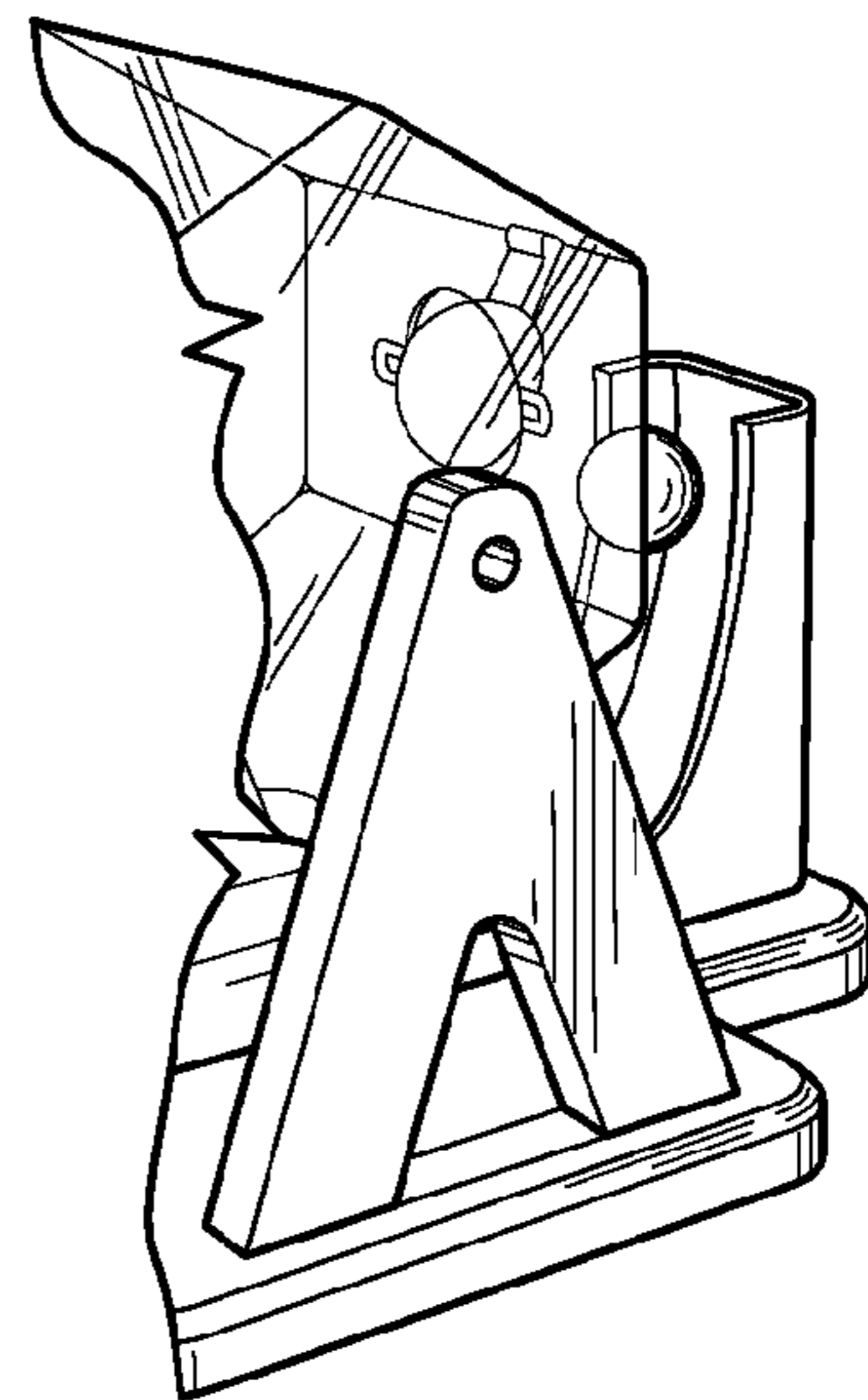
**FIG. 2**



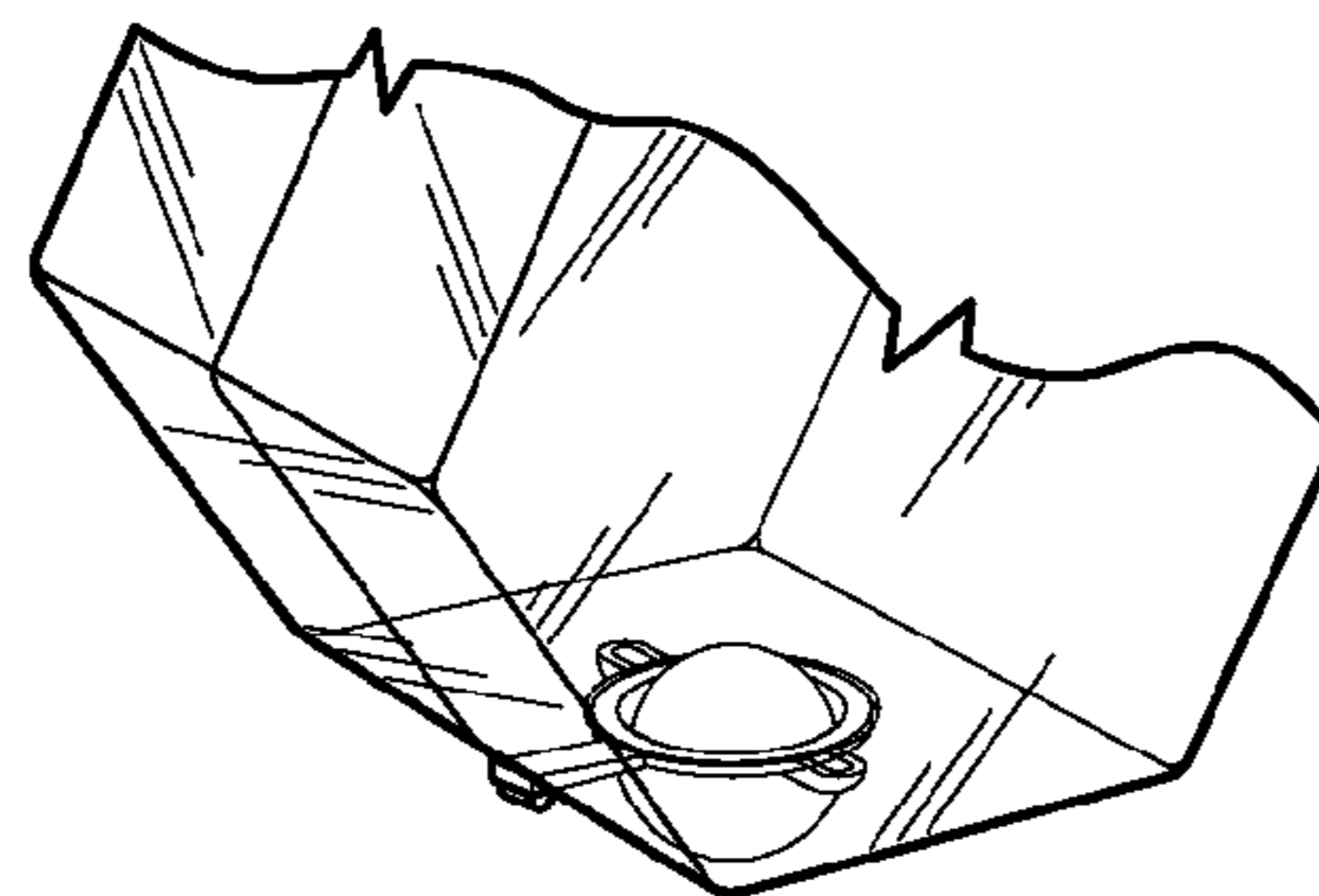
*FIG. 3*



*FIG. 6*



*FIG. 4*



*FIG. 5*