

US00D566778S

(12) **United States Design Patent**  
**Newbill**

(10) **Patent No.:** **US D566,778 S**

(45) **Date of Patent:** **\*\* Apr. 15, 2008**

(54) **COMBINED STREET SIGN AND POST**

(76) **Inventor:** **Anthony J. Newbill**, P.O. Box 21360,  
Wickenburg, AZ (US) 85358

(\*\*) **Term:** **14 Years**

(21) **Appl. No.:** **29/271,521**

(22) **Filed:** **Jan. 22, 2007**

(51) **LOC (8) Cl.** ..... **20-02**

(52) **U.S. Cl.** ..... **D20/41**

(58) **Field of Classification Search** ..... D20/10,  
D20/17, 19, 39, 41, 43, 99; 40/333, 525,  
40/538, 541, 542, 558, 584, 591, 606.01,  
40/606.03, 606.13, 606.14, 607.01, 607.03,  
40/607.05, 607.1, 612, 645, 642.02; 362/812;  
116/63 R, 63 P; 340/815.4, 815.53, 901,  
340/905

See application file for complete search history.

(56) **References Cited**

**U.S. PATENT DOCUMENTS**

512,177	A *	1/1894	Fisher	.....	40/642.02
618,949	A *	2/1899	Page	.....	40/542
915,287	A *	3/1909	Haase	.....	249/103
1,687,276	A *	10/1928	Winkler	.....	40/525
2,848,829	A *	8/1958	Johnson	.....	40/591
2,857,695	A *	10/1958	Goetting	.....	40/645
4,253,415	A *	3/1981	Ferch	.....	116/63 P

4,329,801	A *	5/1982	Clausen	.....	40/607.03
D376,820	S *	12/1996	Bosman	.....	D20/17
D419,195	S *	1/2000	Herbst	.....	D20/19
7,167,103	B2 *	1/2007	Warren et al.	.....	340/901
2002/0053153	A1 *	5/2002	Nesbitt et al.	.....	40/607.03
2007/0188341	A1 *	8/2007	Seifert	.....	340/815.53

\* cited by examiner

*Primary Examiner*—Caron D. Veynar

*Assistant Examiner*—Mary Ann Calabrese

(74) *Attorney, Agent, or Firm*—James D. Givnan, Jr.

(57) **CLAIM**

The ornamental design for a combined street sign and post, as shown and described.

**DESCRIPTION**

FIG. 1 is a front elevational view of the combined street sign and post;

FIG. 2 is a rear elevational view;

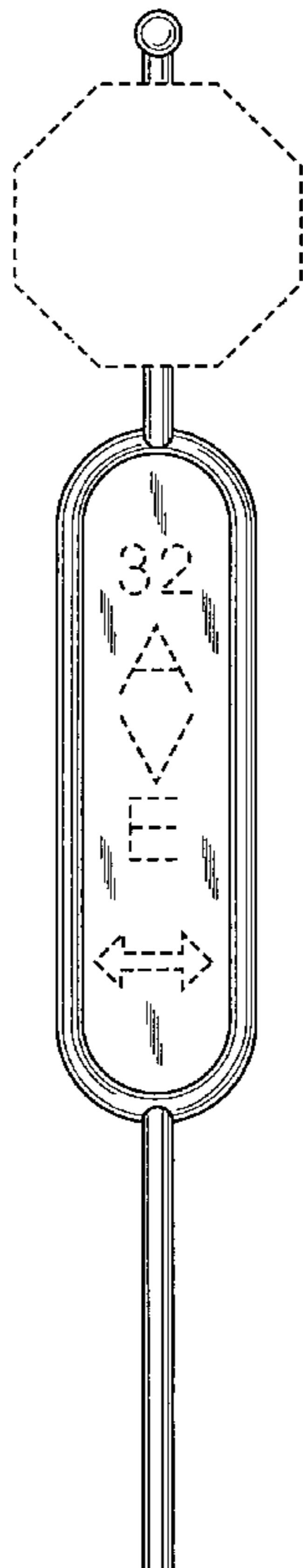
FIG. 3 is a side elevational view taken from the right side of FIG. 1;

FIG. 4 is a top plan view of FIG. 1; and,

FIG. 5 is a bottom plan view of FIG. 2.

In the drawings, the broken lines represent environmental structure forming no part of the claim.

**1 Claim, 1 Drawing Sheet**



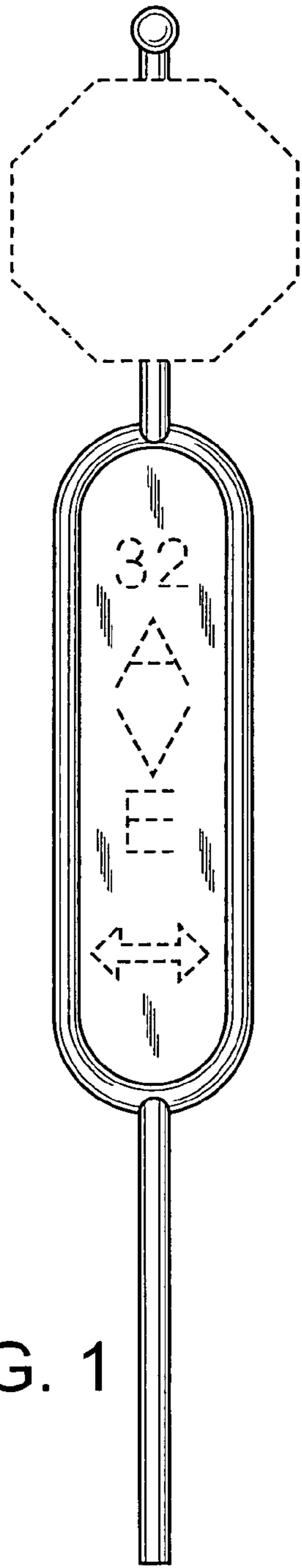


FIG. 1

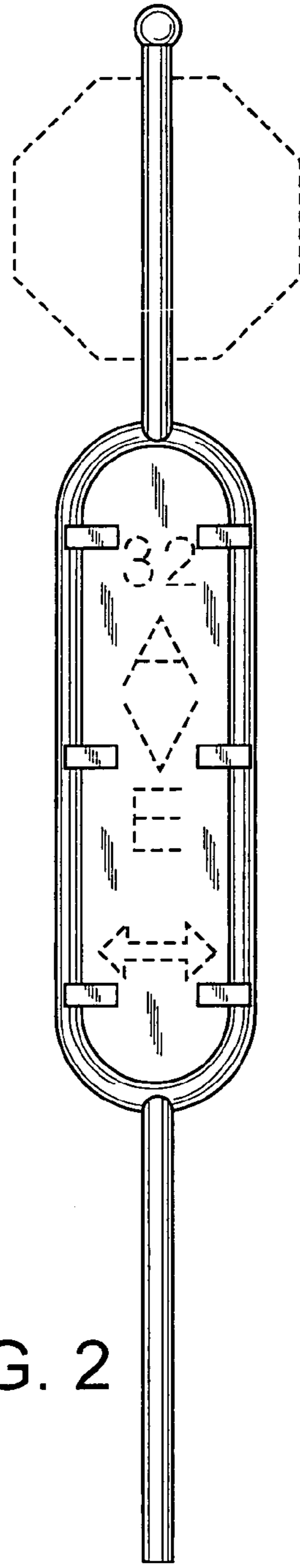


FIG. 2



FIG. 3

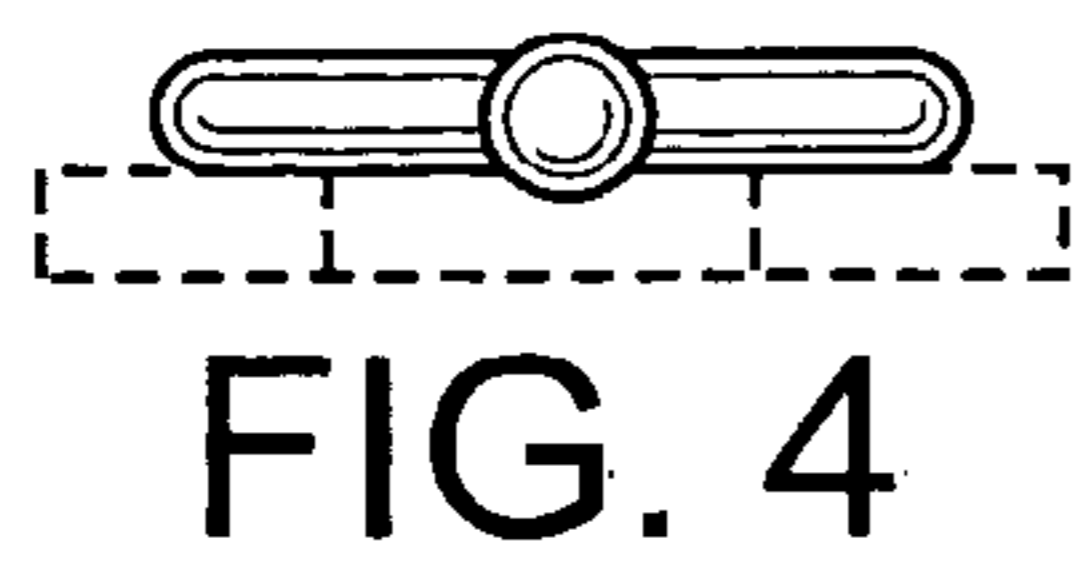


FIG. 4

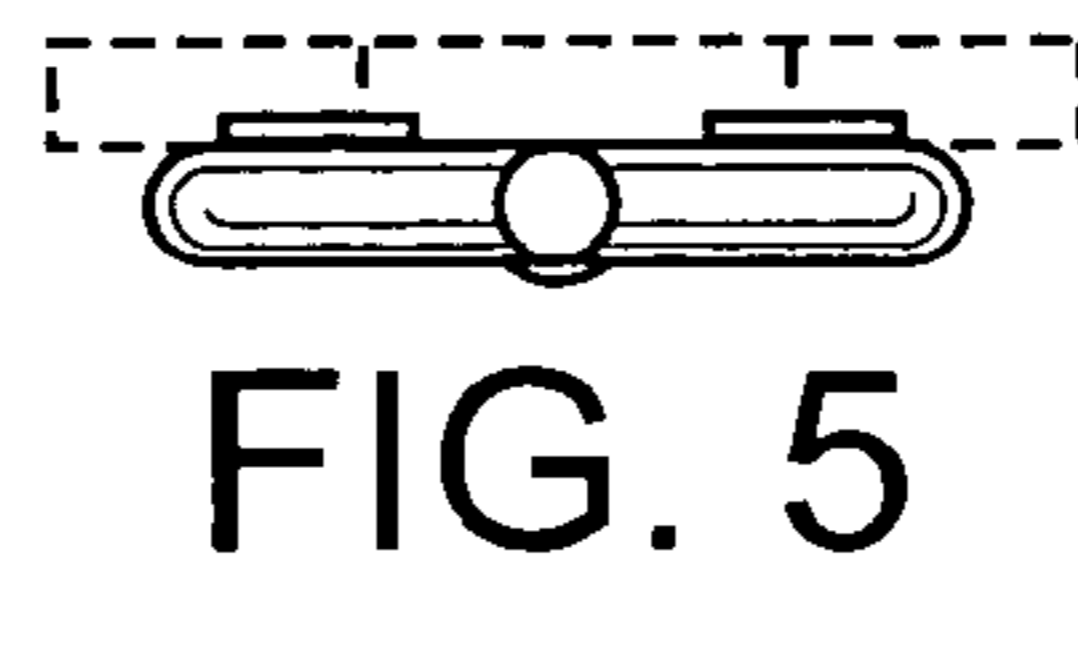


FIG. 5