

US00D566770S

(12) **United States Design Patent**
Cetera

(10) **Patent No.:** **US D566,770 S**

(45) **Date of Patent:** **** Apr. 15, 2008**

(54) **ROTATING PEN AND PAPER CLIP CADDY**

(75) Inventor: **Carl Cetera**, Tenafly, NJ (US)

(73) Assignee: **Cotapaxi Custom Design and Manufacturing, LLC**, Carlstadt, NJ (US)

(**) Term: **14 Years**

(21) Appl. No.: **29/249,729**

(22) Filed: **Oct. 19, 2006**

(51) **LOC (8) Cl.** **19-02**

(52) **U.S. Cl.** **D19/77**

(58) **Field of Classification Search** D3/201,
D3/206; D19/35, 36, 54, 75-85; 206/214,
206/216, 226, 338, 340, 371; 211/69.1-69.9,
211/70, 163

See application file for complete search history.

(56) **References Cited**

U.S. PATENT DOCUMENTS

D208,283	S *	8/1967	Cranfill	D6/457
3,456,806	A *	7/1969	Borston	211/60.1
3,727,771	A *	4/1973	Hoffman	211/69
4,058,209	A	11/1977	Schmidt		
D286,550	S	11/1986	Yuen		
D290,853	S *	7/1987	Appel	D19/85
D290,854	S *	7/1987	Appel	D19/85
D298,264	S *	10/1988	Wang	D19/85
D304,512	S *	11/1989	Byers et al.	D32/35
4,881,651	A	11/1989	Mimoun et al.		
4,884,701	A	12/1989	Nymark et al.		
4,972,947	A *	11/1990	McCarthy	206/214
5,076,444	A *	12/1991	Syms	211/69.5
5,097,947	A *	3/1992	Hsu	206/214
D325,934	S *	5/1992	Ramljak	D19/85
D341,624	S	11/1993	Evenson et al.		
D354,989	S *	1/1995	West	D19/85
D382,998	S *	9/1997	Conigliaro	D3/313

5,881,950	A	3/1999	Koehn		
6,244,464	B1	6/2001	Goserud		
D452,882	S *	1/2002	Suzuki	D19/75
6,591,990	B2	7/2003	Lanman et al.		
6,783,033	B1	8/2004	Chan		
D504,157	S	4/2005	Huang		
D507,602	S *	7/2005	Siegel	D19/85
D510,388	S *	10/2005	Siegel	D19/77
2003/0057168	A1 *	3/2003	Lo	211/69.1
2005/0032456	A1	2/2005	Armenise		
2006/0261017	A1 *	11/2006	Yoon	211/69.1

* cited by examiner

Primary Examiner—Elizabeth A. Albert

(74) *Attorney, Agent, or Firm*—The Soni Law Firm

(57) **CLAIM**

The ornamental design for a rotating pen and paper clip caddy, as shown and described.

DESCRIPTION

FIG. 1 is a top side perspective view of my new design with the phantom lines depicting environmental structure and forming no part of the claimed design;

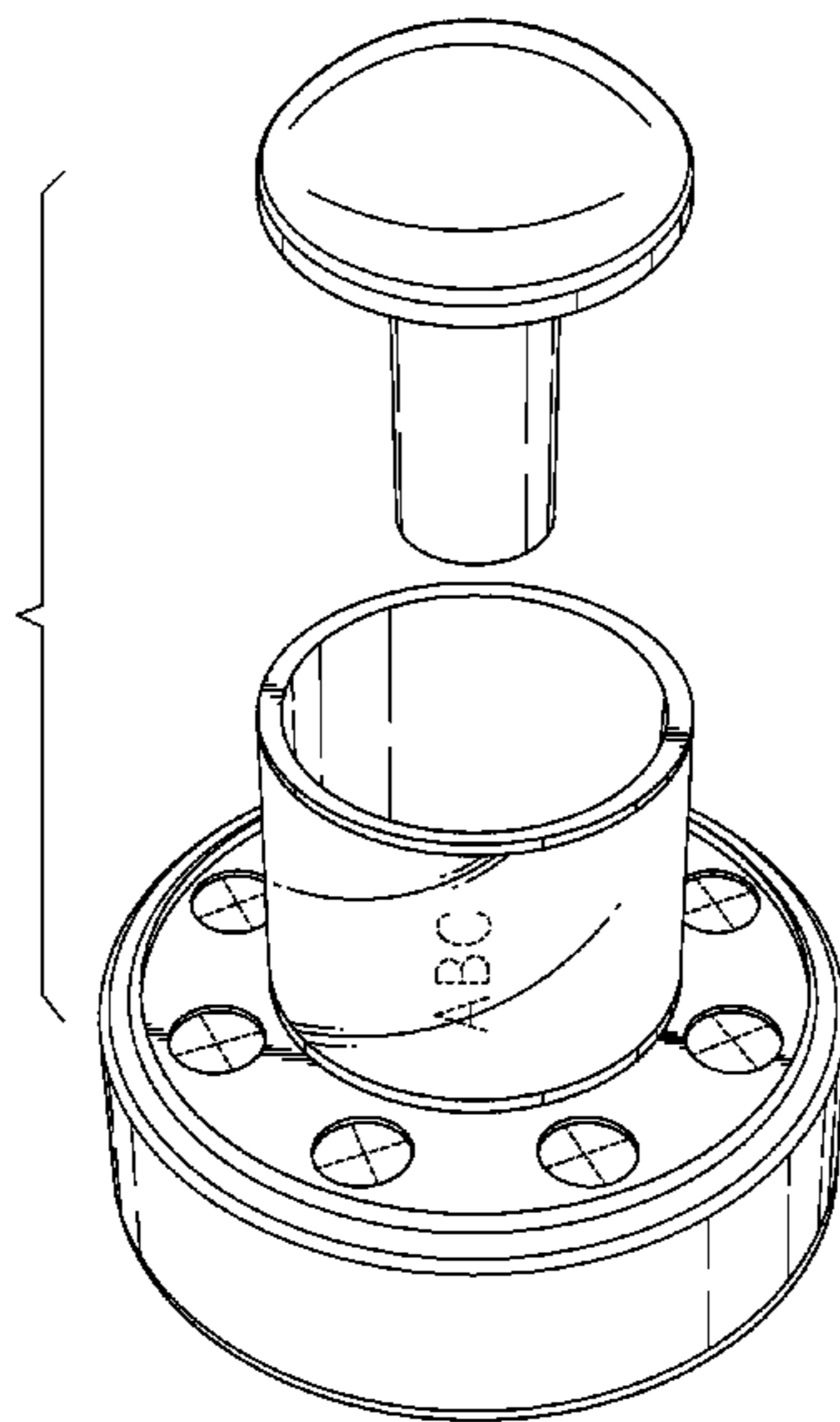
FIG. 2 is a top plan view thereof with the phantom lines depicting environmental structure and forming no part of the claimed design;

FIG. 3 is a side elevational view thereof with the phantom lines depicting environmental structure and forming no part of the claimed design; and

FIG. 4 is a bottom plan view thereof with the phantom lines depicting environmental structure and forming no part of the claimed design; and,

FIG. 5 is an exploded top side perspective view thereof with the phantom lines depicting environmental structure and forming no part of the claimed design.

1 Claim, 3 Drawing Sheets



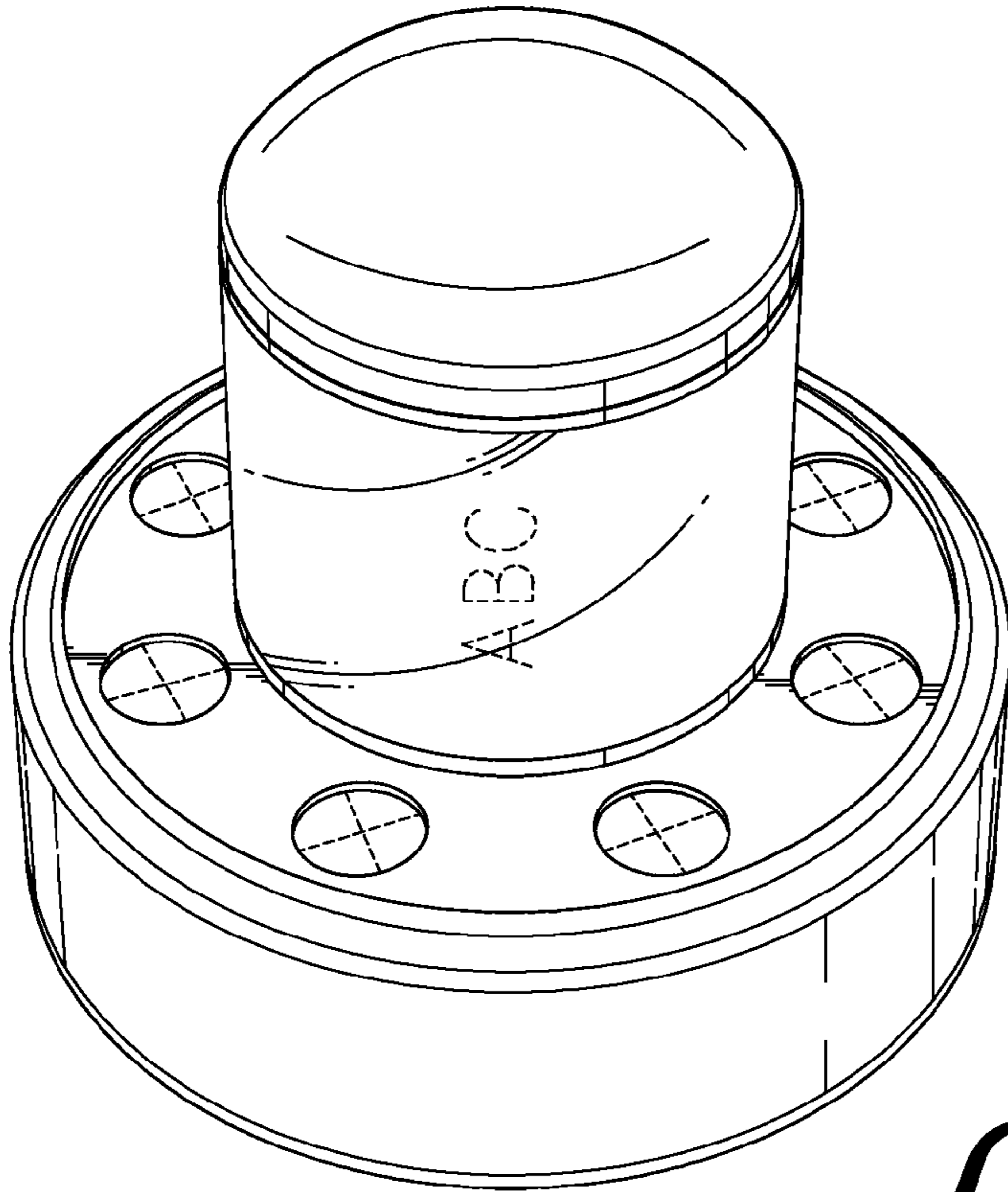


FIG. 1

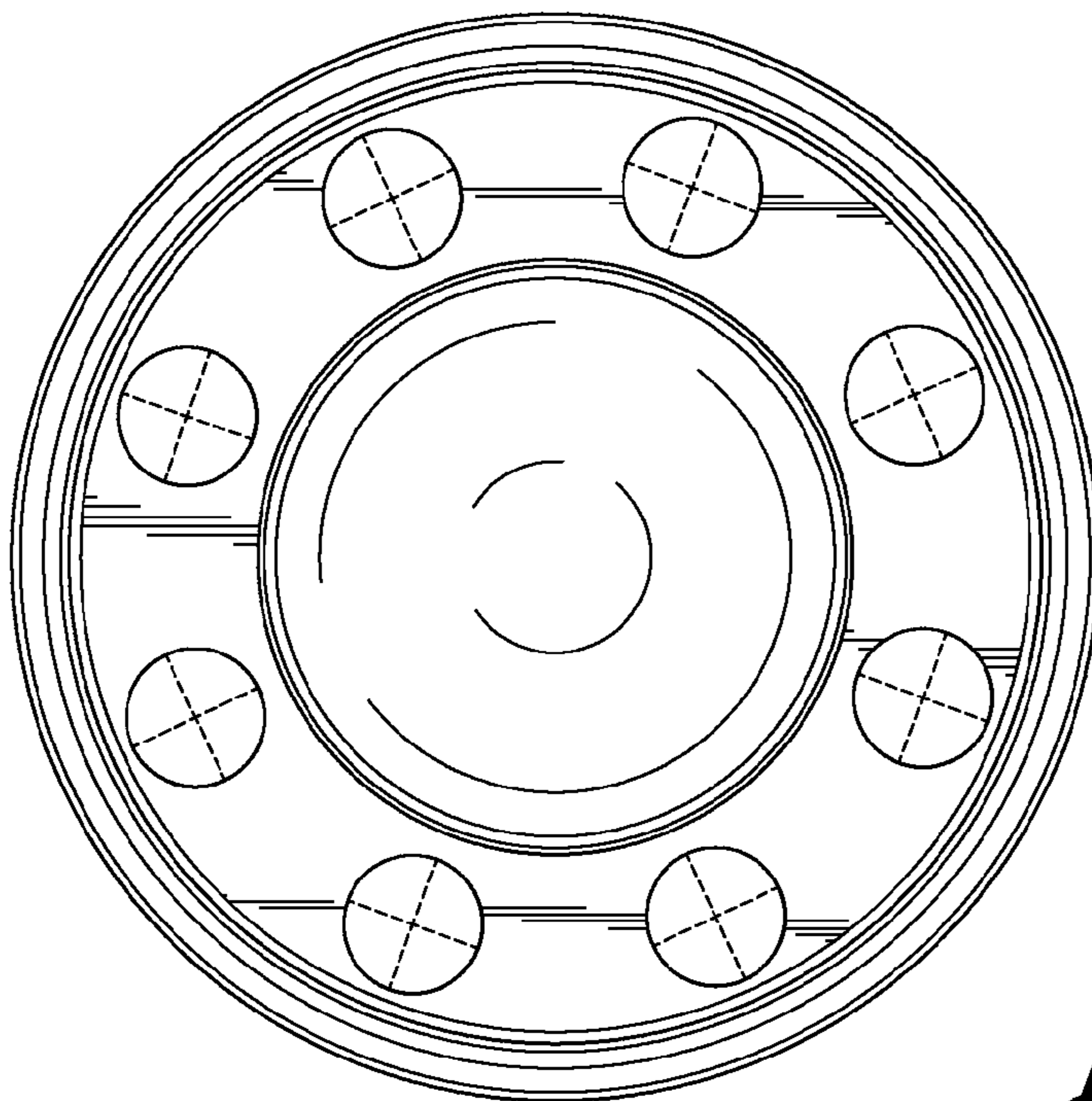


FIG. 2

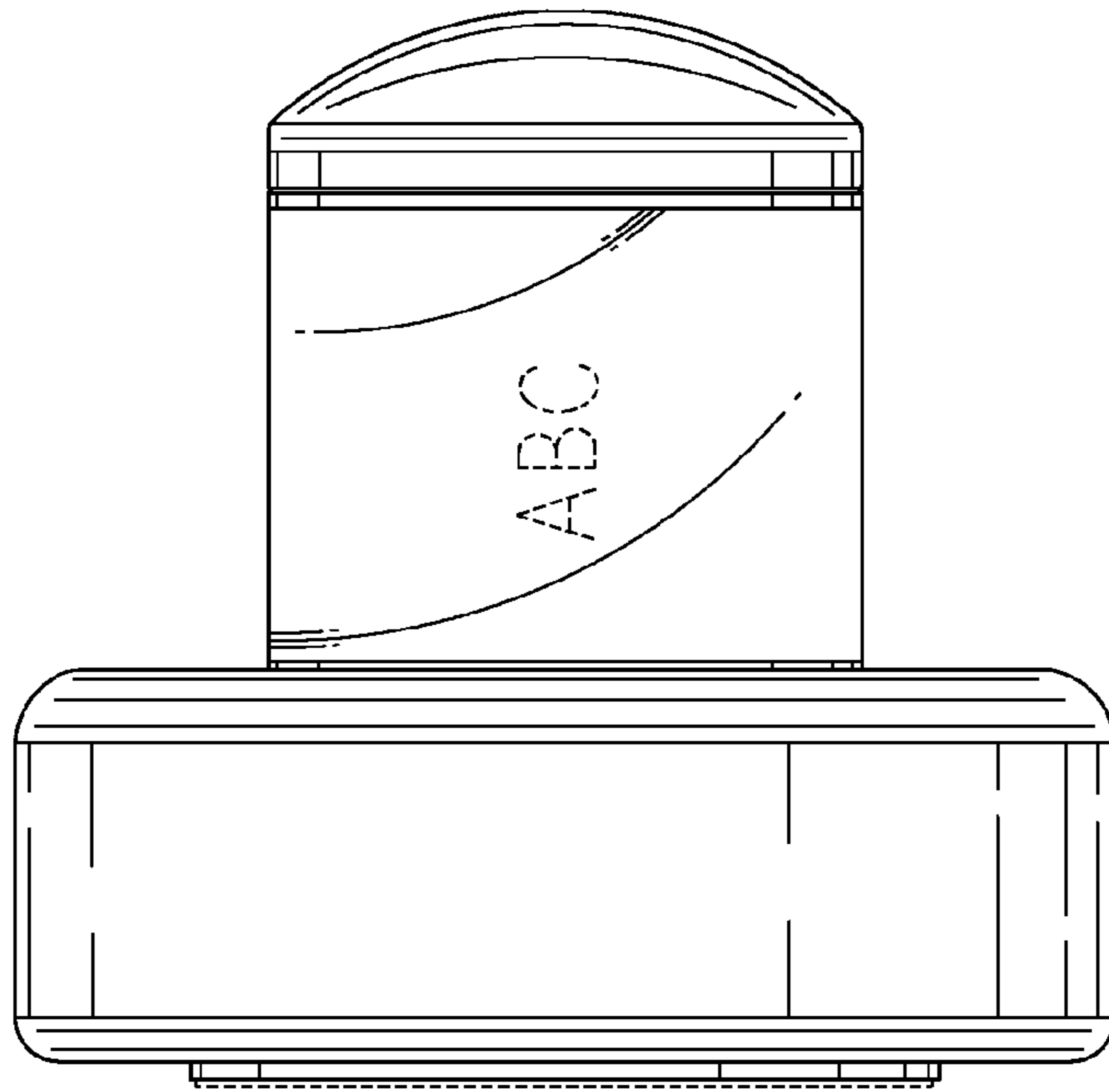


FIG. 3

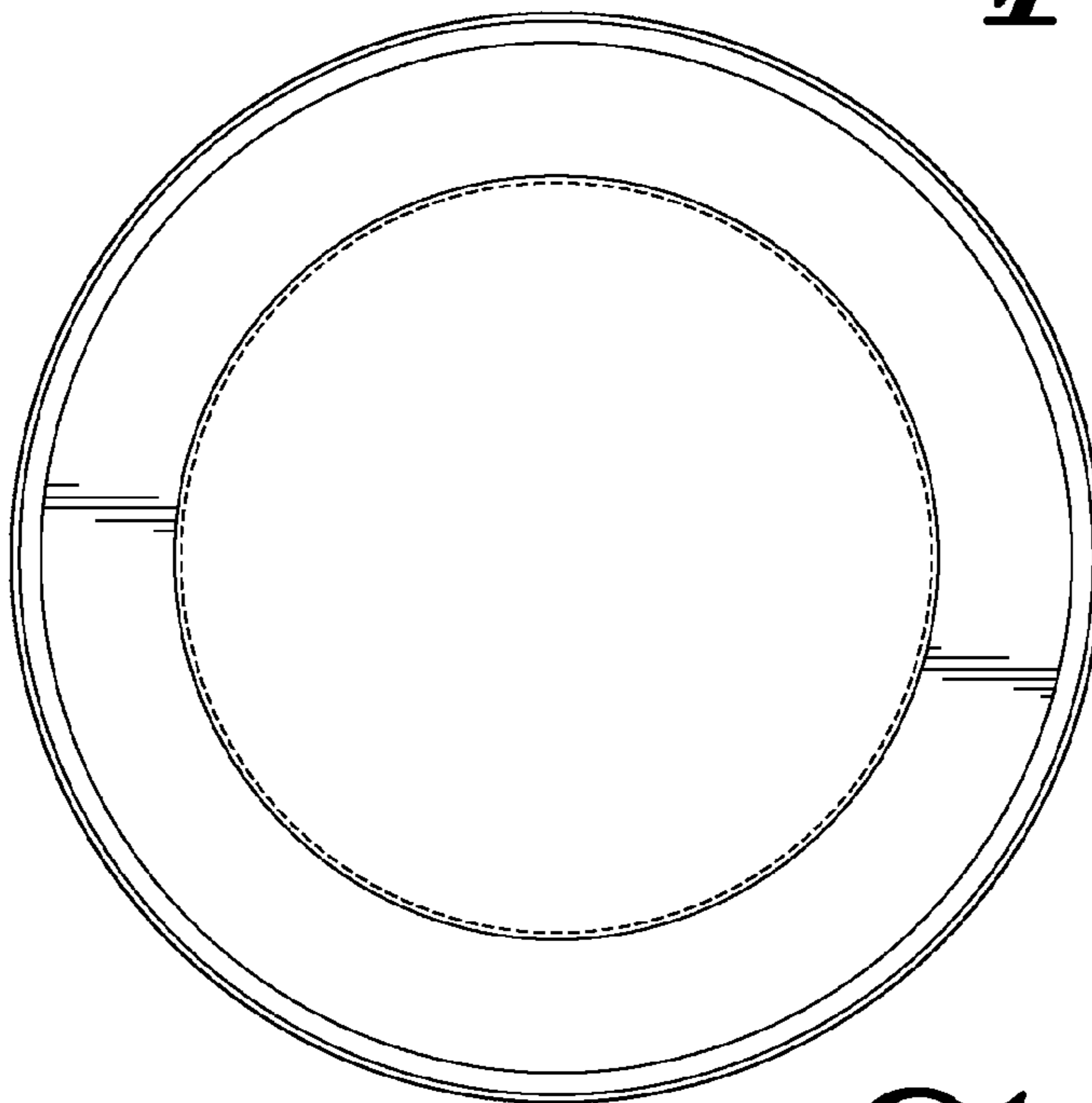


FIG. 4

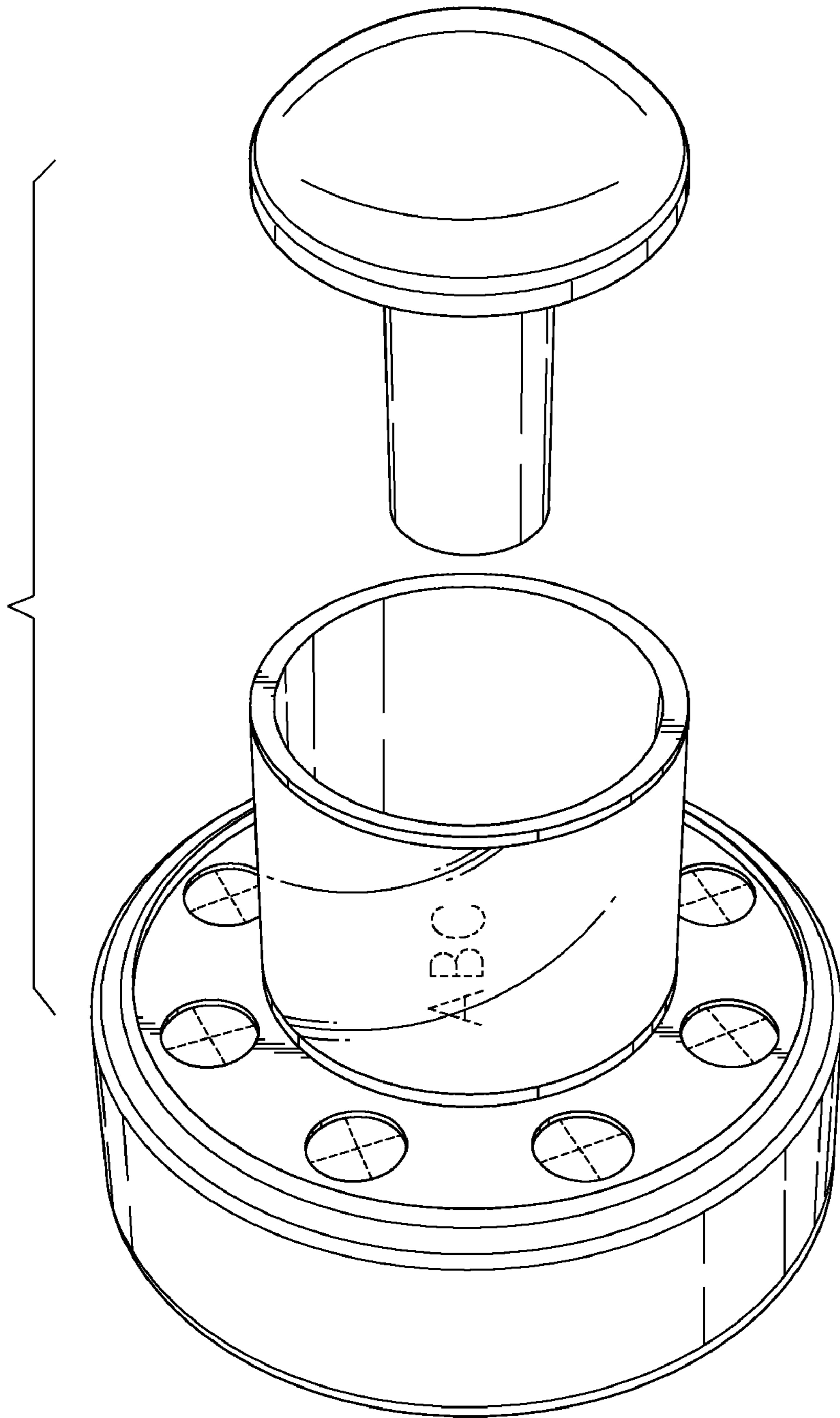


FIG. 5