

US00D566759S

(12) **United States Design Patent**
Bharma

(10) **Patent No.:** **US D566,759 S**

(45) **Date of Patent:** **** Apr. 15, 2008**

(54) **THUMB CUT OF A PAGE OR SIMILAR ARTICLE**

(75) Inventor: **Supriti Bharma**, Vancouver (CA)

(73) Assignee: **Hartley & Marks Publishers, Inc.**,
Vancouver (CA)

(**) Term: **14 Years**

(21) Appl. No.: **29/253,103**

(22) Filed: **Jan. 31, 2006**

(51) **LOC (8) Cl.** **19-04**

(52) **U.S. Cl.** **D19/26**

(58) **Field of Classification Search** D19/26-33;
D3/247, 276, 201, 249, 273, 294, 274, 234,
D3/235, 299, 303, 243-245; 281/29, 38,
281/27.3, 15.1; 402/3-4, 31, 19

See application file for complete search history.

3,380,644 A	4/1968	D'Alessio	
3,537,728 A *	11/1970	Reese	281/31
4,019,758 A	4/1977	Heller et al.	
D250,171 S	11/1978	Yoshimoto	
4,296,945 A	10/1981	Pavlik	
4,484,768 A	11/1984	Norfleet	
4,516,871 A *	5/1985	Leitman	402/79
4,637,631 A	1/1987	Baer	
4,749,121 A	6/1988	Barber et al.	
D300,688 S	4/1989	Marks	D3/265
D302,698 S	8/1989	Rexroat et al.	D19/26
D304,343 S	10/1989	Popat et al.	
D308,225 S	5/1990	Dressler	
4,932,520 A *	6/1990	Ciarcia et al.	206/232
4,940,352 A	7/1990	Kratzert et al.	402/13
D316,108 S	4/1991	Gerriet	
D323,937 S	2/1992	Solomon	D3/299
D330,115 S	10/1992	O'Brien	
D340,355 S *	10/1993	Little	D3/247
D358,839 S	5/1995	Lipic	
5,413,430 A	5/1995	Schrem et al.	402/60
D369,239 S	4/1996	Deutch	

(56) **References Cited**

U.S. PATENT DOCUMENTS

201,450 A	3/1878	Reynolds	
D11,686 S	3/1880	Bainbaridge	D19/3
273,886 A	3/1883	Pester	
467,821 A	1/1892	Mets	
560,034 A	5/1896	Honey	
673,387 A	5/1901	Dean	402/68
941,525 A	11/1909	Landenberger	229/75
1,023,466 A	4/1912	Gareis	
1,023,834 A	4/1912	Gareis	281/31
1,592,505 A	7/1926	Richie	
D118,491 S	1/1940	Bach	D3/249
2,287,149 A	6/1942	Rudolf	
D135,980 S	7/1943	Bach	D3/249
D135,981 S	7/1943	Bach	D3/249
2,354,782 A	8/1944	Strading et al.	
2,529,000 A	11/1950	Cameron	
2,533,590 A	12/1950	Kutik, Jr.	
D182,059 S	2/1958	Chase	D3/233
D187,321 S	2/1960	Mayer	D3/247
2,964,227 A	12/1960	Goldsholl	
3,010,571 A	11/1961	Transport	

(Continued)

OTHER PUBLICATIONS

International Designs Bulletin, Feb. 28, 1997. pp. 6995-6998.

Primary Examiner—Elizabeth A. Albert

Assistant Examiner—Kelley A. Donnelly

(74) *Attorney, Agent, or Firm*—Wells St. John P.S.

(57) **CLAIM**

I claim the ornamental design for a thumb cut of a page or similar article, as shown and described.

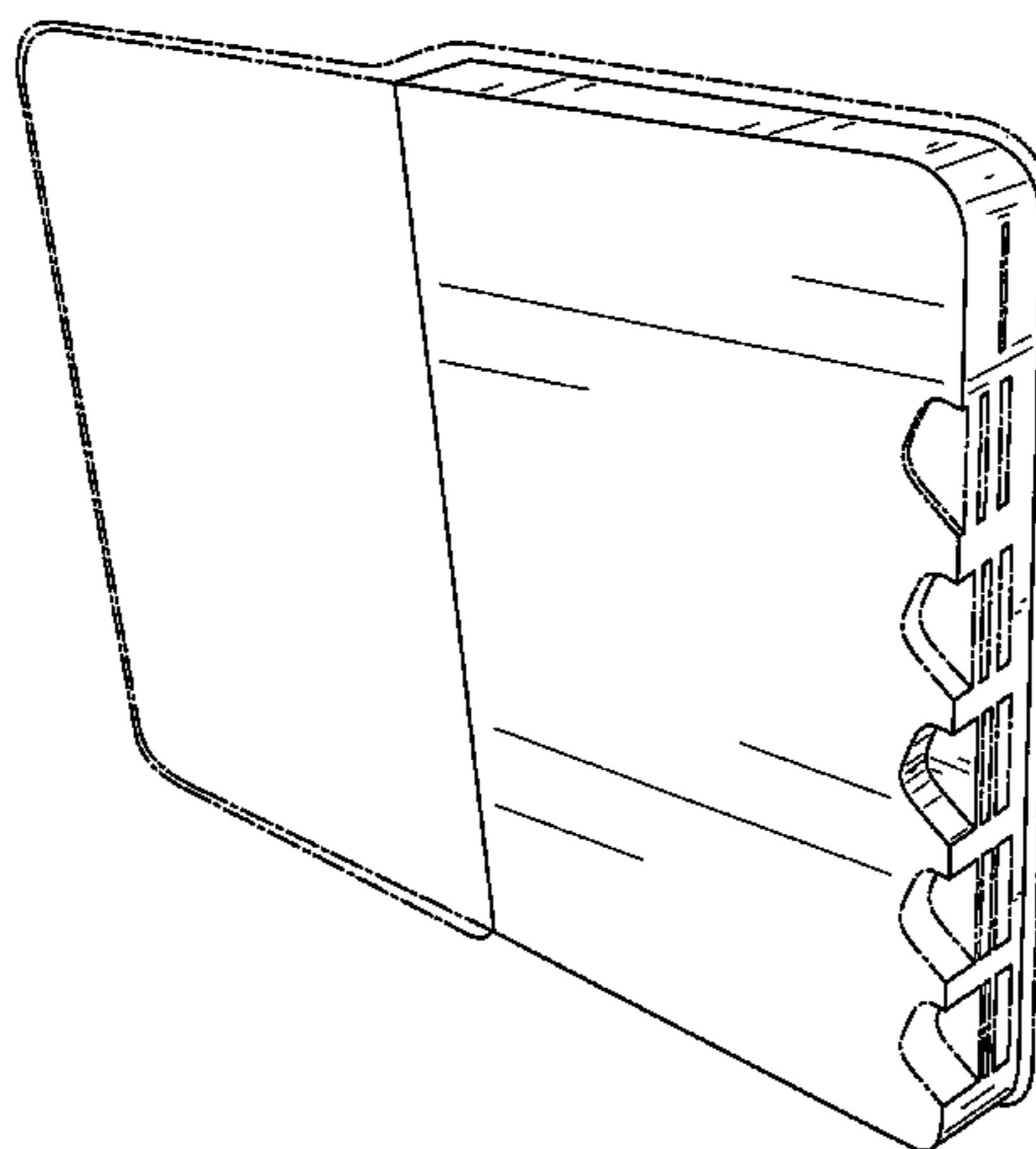
DESCRIPTION

FIG. 1 is a front perspective view for a thumb cut of a page or similar article showing my new design.

FIG. 2 is a front elevational view thereof; and,

FIG. 3 is a right side elevational view shown in the closed position thereof.

1 Claim, 3 Drawing Sheets



US D566,759 S

Page 2

U.S. PATENT DOCUMENTS					
D370,691	S	6/1996	Benn	D19/65
5,529,418	A	6/1996	Alotta		
5,630,509	A	5/1997	Su		
D379,896	S	6/1997	Friedman		
5,667,064	A	9/1997	Bauman		
D385,295	S	10/1997	Osiecki et al.		
D388,822	S	1/1998	Frank		
D394,385	S	5/1998	Laughlin		
5,944,353	A	8/1999	Sato		
D413,725	S	9/1999	Hartmann et al.		
6,017,062	A	1/2000	White		
D423,572	S	4/2000	Tedaldi et al.		
6,056,192	A	5/2000	Cameron	229/75
D426,262	S	6/2000	Humphrey		
D436,533	S	1/2001	Correll		
6,179,332	B1	1/2001	Funkhouser		
6,220,436	B1	4/2001	Chung		
D447,689	S	9/2001	Navet et al.		
D449,927	S	11/2001	Dorizas		
D455,781	S	4/2002	Jobelius et al.		
6,419,416	B1	7/2002	Tomoda		
D467,966	S	12/2002	Lepisto		
D474,966	S	5/2003	Schrem et al.	D9/433
D476,032	S	6/2003	Marchand		
D477,634	S	7/2003	Malone		
D481,074	S	10/2003	Shapiro et al.	D19/90
D489,255	S	5/2004	Kratzert et al.	D9/433
6,776,437	B1 *	8/2004	Ho	283/38
D499,761	S	12/2004	Walley et al.	D19/26
D502,502	S	3/2005	Brann		
D503,195	S	3/2005	Parra		
D513,038	S	12/2005	Ong		
6,974,158	B1 *	12/2005	Westcott, Jr.	281/29
D520,057	S	5/2006	Hamel		
D523,078	S	6/2006	Ong		
D529,963	S	10/2006	Hough et al.		
D536,376	S	2/2007	Wehmeyer		
D544,030	S	6/2007	LaDue		
D544,538	S	6/2007	Kesselring		
D545,362	S	6/2007	King et al.		
D546,878	S	7/2007	Bharma		
D547,372	S	7/2007	Bharma		
D549,283	S	8/2007	Bharma		
D550,770	S	9/2007	Bharma		
2003/0071454	A1 *	4/2003	Muchin et al.	281/31
2004/0035720	A1	2/2004	Hsieh		
2004/0168938	A1 *	9/2004	Bergh et al.	206/312
2004/0253046	A1	12/2004	Africa et al.	402/73
2005/0042021	A1	2/2005	McArthur		
2005/0269233	A1	12/2005	Aldridge		

* cited by examiner

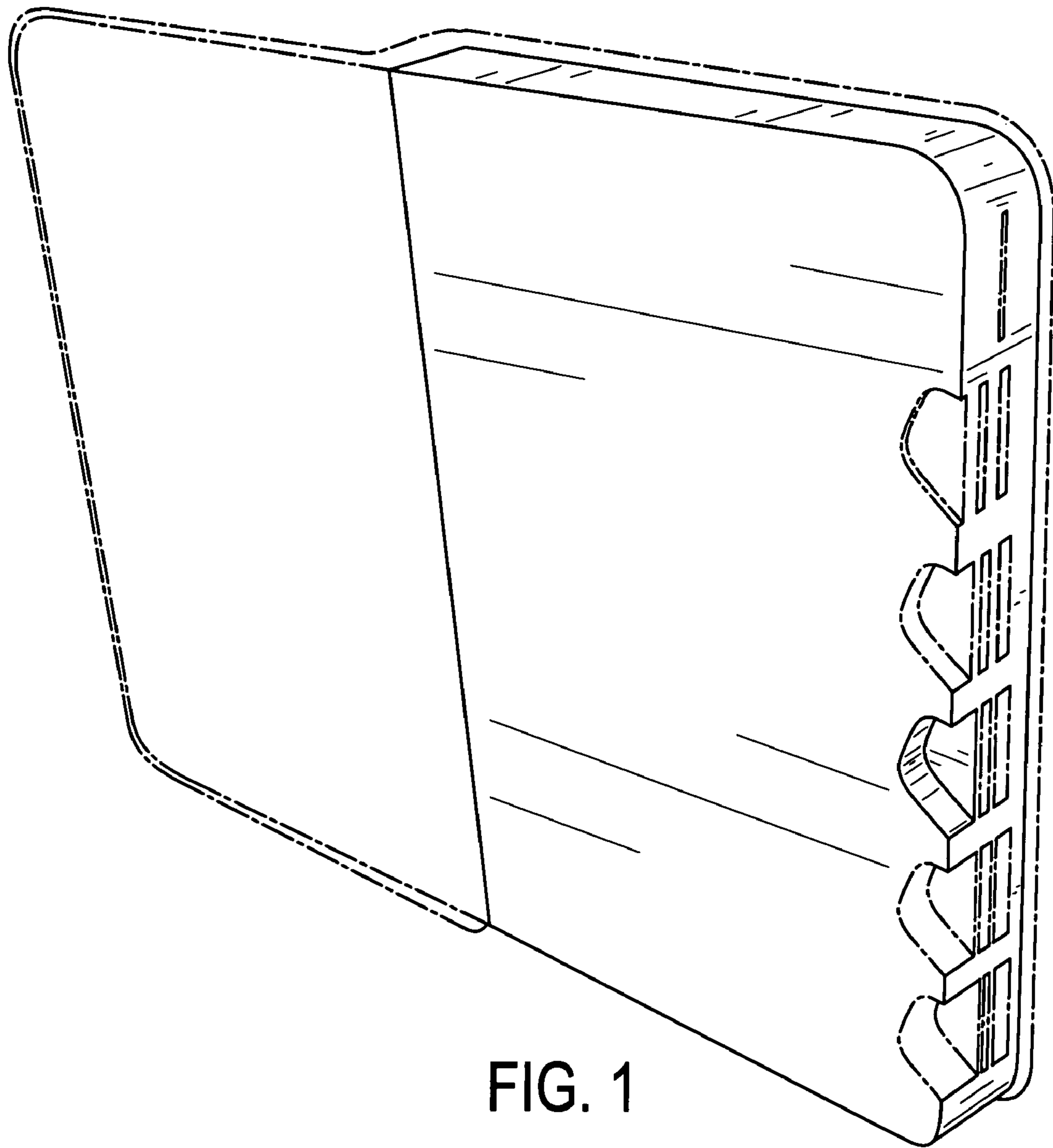


FIG. 1

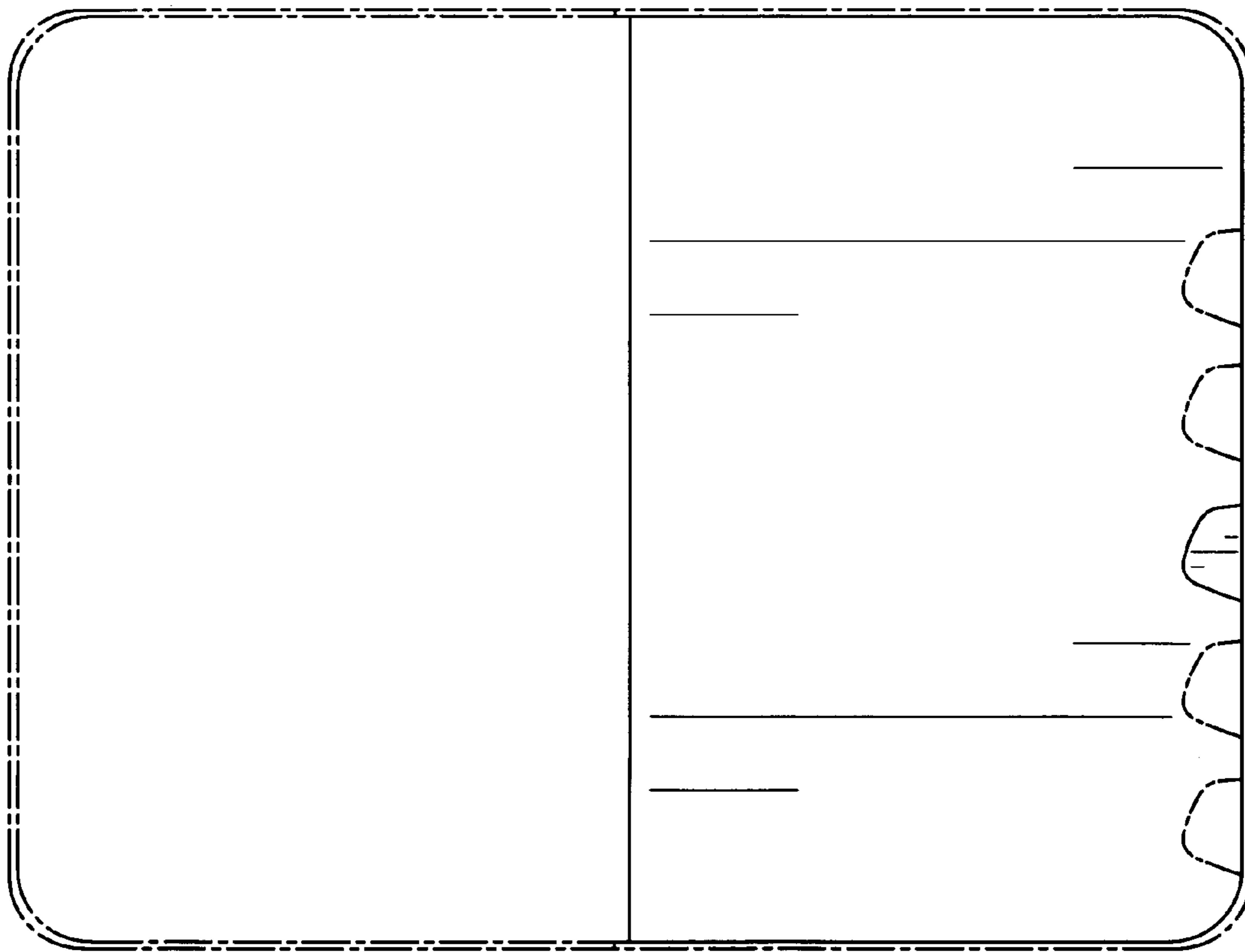


FIG. 2

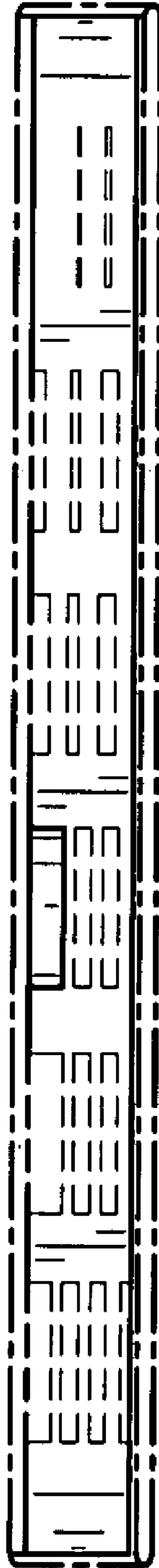


FIG. 3