

US00D566758S

(12) **United States Design Patent**
Wu

(10) **Patent No.: US D566,758 S**

(45) **Date of Patent: ** Apr. 15, 2008**

(54) **INK CONTAINER**

(75) Inventor: **Jun Zhong Wu**, Guangdong (CN)

(73) Assignee: **Apex Leader Limited**, Road Town
Torlota (VG)

(**) Term: **14 Years**

(21) Appl. No.: **29/263,070**

(22) Filed: **Jul. 14, 2006**

(51) **LOC (8) Cl.** **18-02**

(52) **U.S. Cl.** **D18/56**

(58) **Field of Classification Search** D18/43,
D18/56; 347/86-87

See application file for complete search history.

(56) **References Cited**

U.S. PATENT DOCUMENTS

D424,612 S *	5/2000	Inoue et al.	D18/56
D450,083 S *	11/2001	Bishop et al.	D18/56
D453,184 S *	1/2002	Ito et al.	D18/56
6,460,984 B1 *	10/2002	Matsumoto et al.	347/86
D466,151 S *	11/2002	Shinada et al.	D18/56

6,905,199 B2 *	6/2005	Miyazawa et al.	347/86
6,945,641 B2 *	9/2005	Sakai et al.	347/86
D541,853 S *	5/2007	Wu	D18/56

* cited by examiner

Primary Examiner—Cathy Anne MacCormac

(74) *Attorney, Agent, or Firm*—Schulte Roth & Zabel LLP;
John C. Garces

(57) **CLAIM**

The ornamental design for an ink container, as shown and described.

DESCRIPTION

FIG. 1 is a front elevation view of an ink container showing my new design;

FIG. 2 is a rear elevation view thereof;

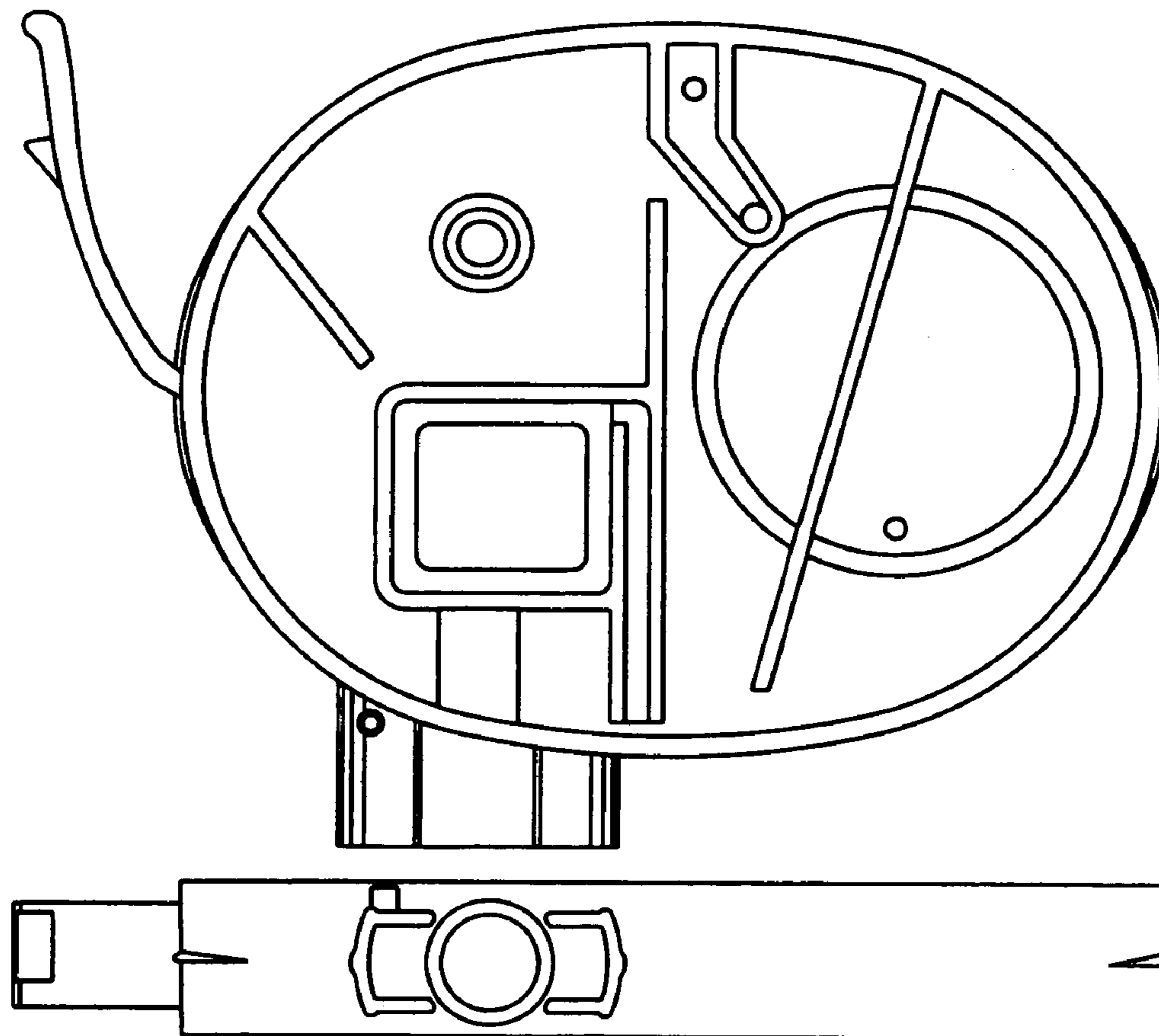
FIG. 3 is a right side elevation view thereof;

FIG. 4 is a left side elevation view thereof;

FIG. 5 is a bottom view thereof; and,

FIG. 6 is a top view thereof.

1 Claim, 6 Drawing Sheets



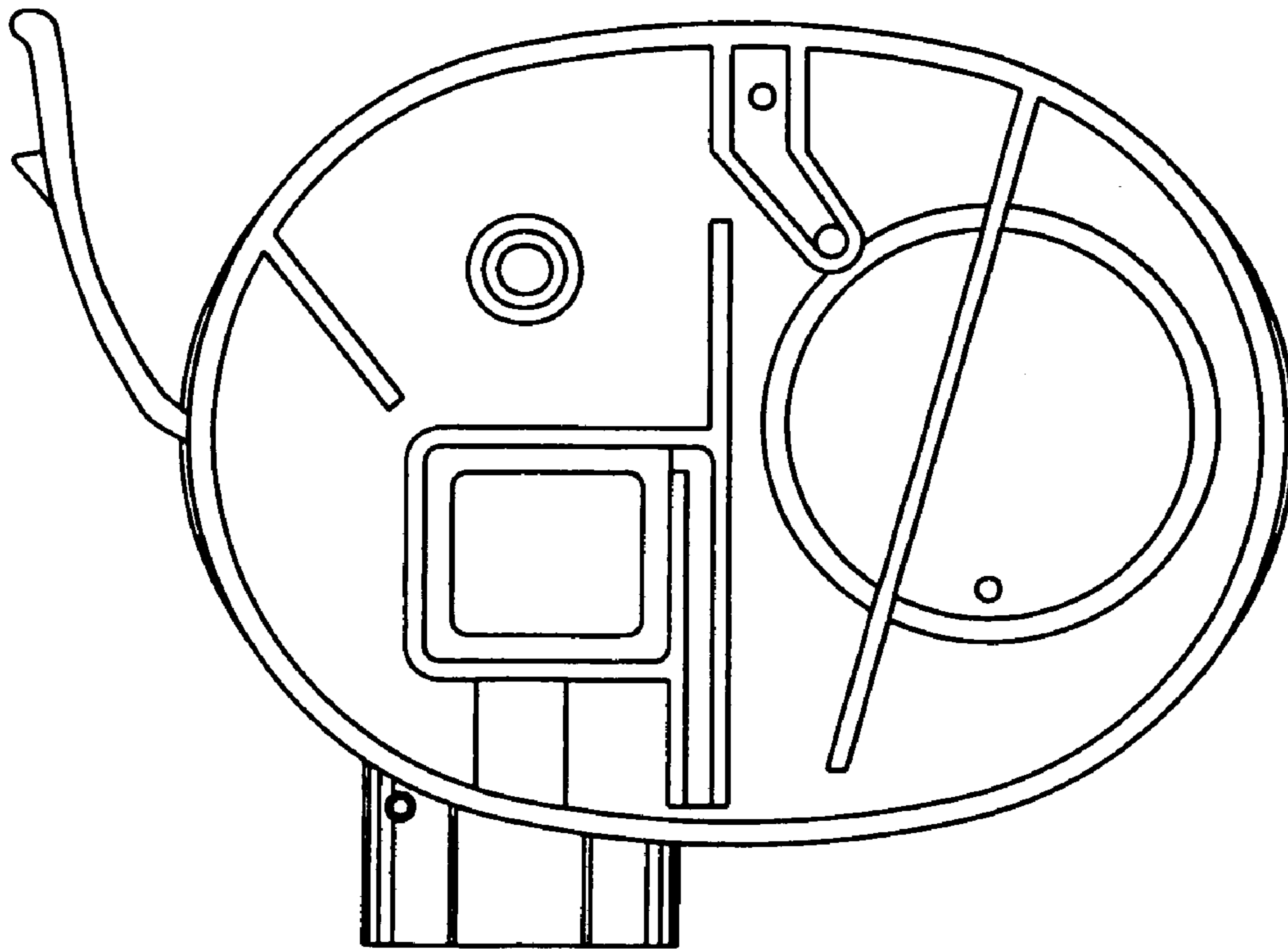


FIG. 1

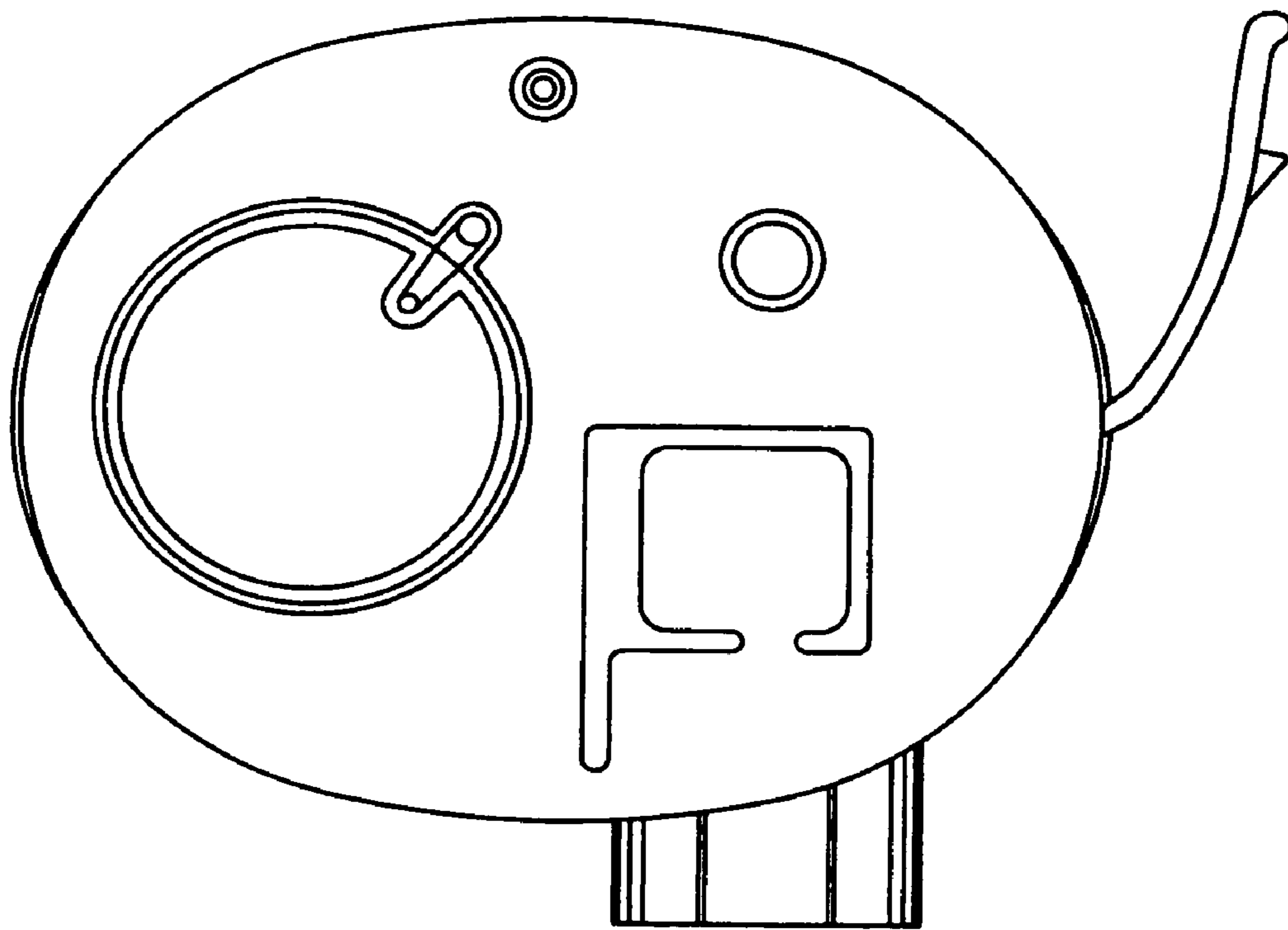


FIG. 2

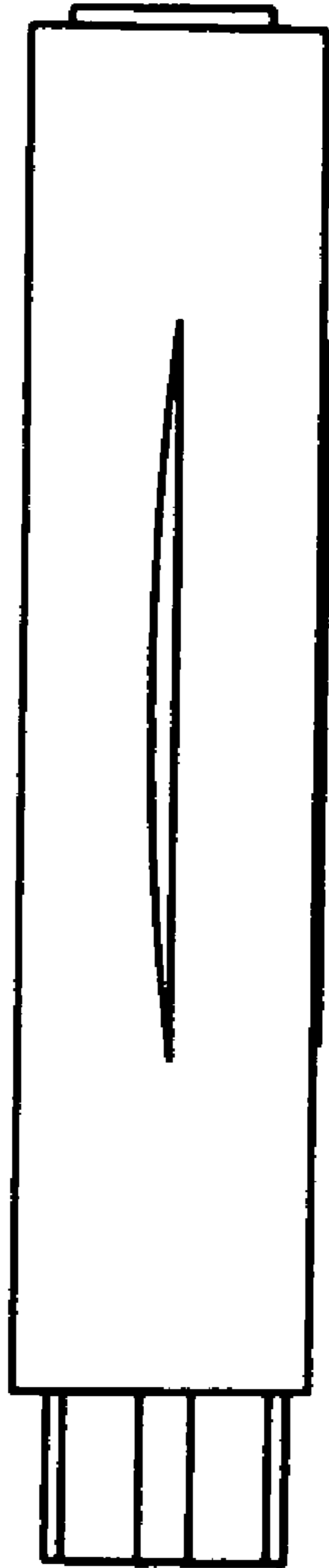


FIG. 3

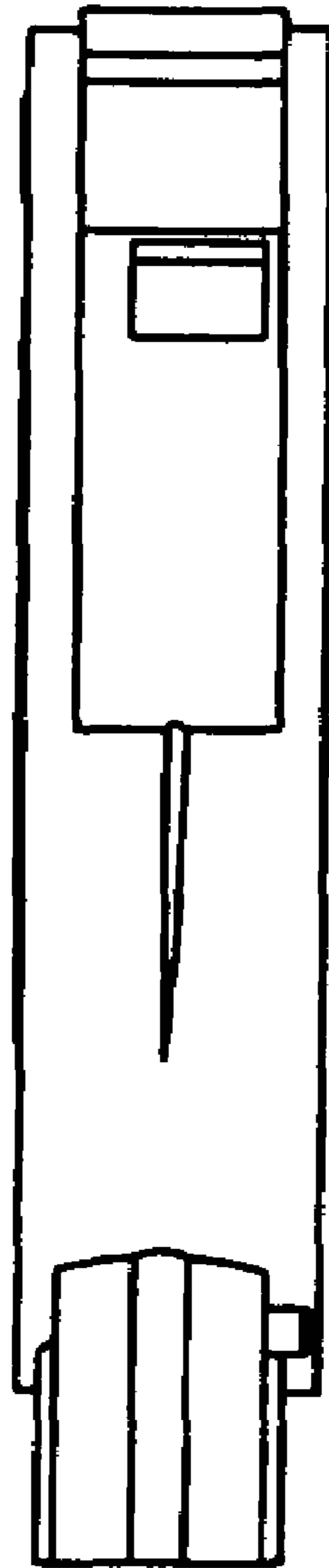


FIG. 4

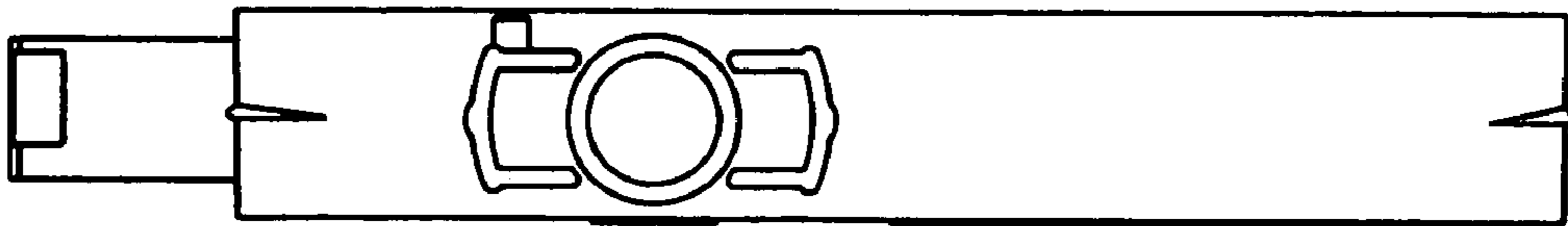


FIG. 5



FIG. 6