



US00D566757S

(12) **United States Design Patent**
Yonekawa et al.

(10) **Patent No.:** **US D566,757 S**
(45) **Date of Patent:** **** Apr. 15, 2008**

(54) **INKJET PRINTER**

(75) Inventors: **Masahiro Yonekawa**, Tokyo (JP);
Ryota Yano, Kanagawa (JP); **Masaaki Kabumoto**, Chiba (JP)

(73) Assignee: **Ricoh Company, Ltd.**, Tokyo (JP)

(**) Term: **14 Years**

(21) Appl. No.: **29/254,568**

(22) Filed: **Feb. 27, 2006**

(30) **Foreign Application Priority Data**

Aug. 26, 2005 (JP) 2005-024818

(51) **LOC (8) Cl.** **18-02**

(52) **U.S. Cl.** **D18/55**

(58) **Field of Classification Search** D18/56,
D18/55, 50, 4.3, 12.3, 36-41, 43, 44, 46-49,
D18/14, 18, 21, 51, 54, 54.1, 58, 34.1, 34.9,
D18/35, 35.1, 99; D16/246-248; D14/420-425,
D14/462-470; 399/107

See application file for complete search history.

(56) **References Cited**

U.S. PATENT DOCUMENTS

D448,403 S * 9/2001 Omuro et al. D14/425

D497,944 S * 11/2004 Amemiya et al. D18/55
D523,071 S * 6/2006 Katayama et al. D18/50
D534,209 S * 12/2006 Yamaguchi D18/55
D535,325 S * 1/2007 Yamaguchi D18/55
D537,477 S * 2/2007 Lim et al. D18/55

* cited by examiner

Primary Examiner—Robert M. Spear

Assistant Examiner—Anna K Dworzecka

(74) *Attorney, Agent, or Firm*—Dickstein Shapiro LLP

(57) **CLAIM**

The ornamental design for an inkjet printer, as shown and described.

DESCRIPTION

FIG. 1 is a front elevation of an inkjet printer according to the present invention;

FIG. 2 is a rear elevation thereof;

FIG. 3 is a top plan view thereof;

FIG. 4 is a bottom plan view thereof;

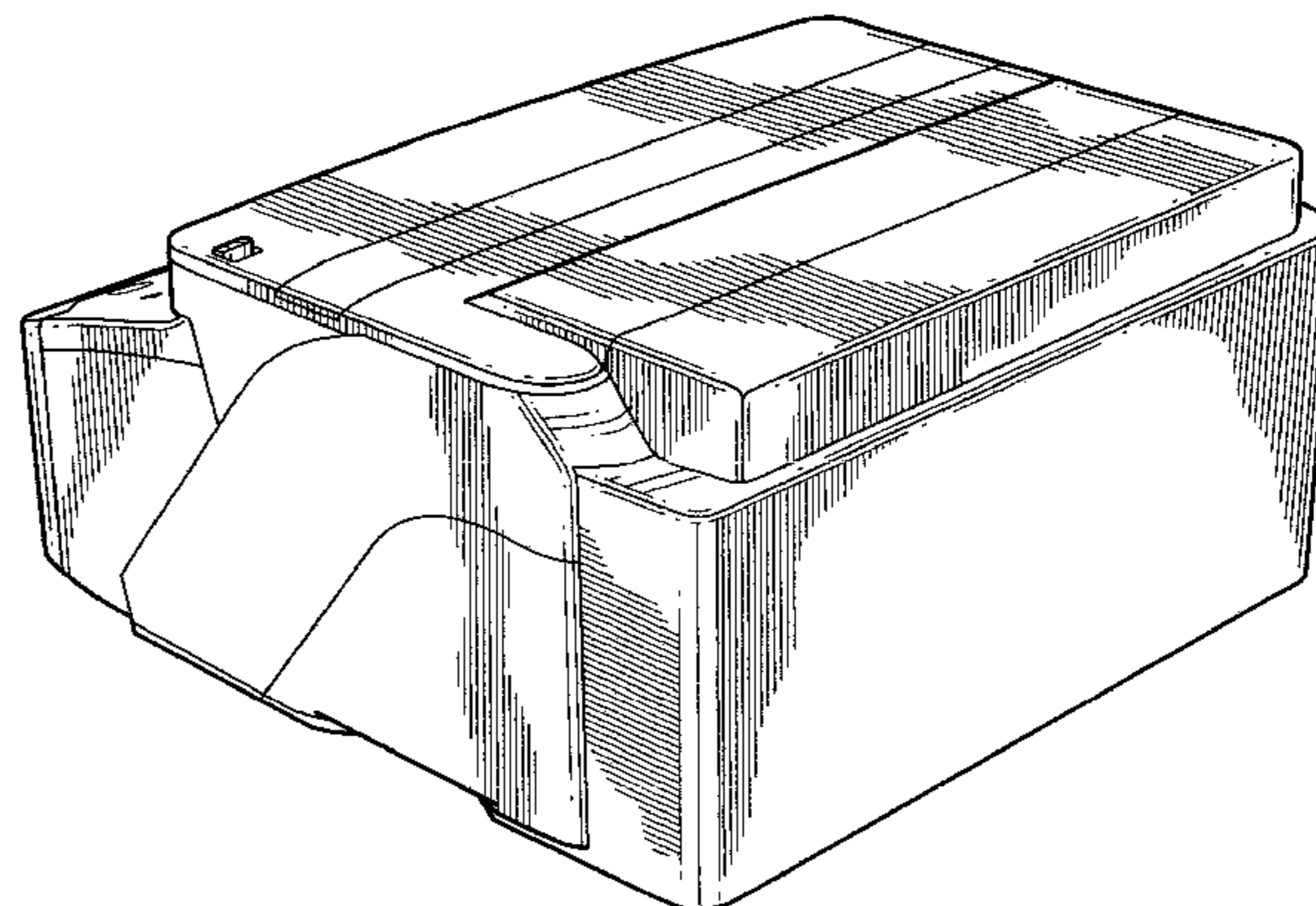
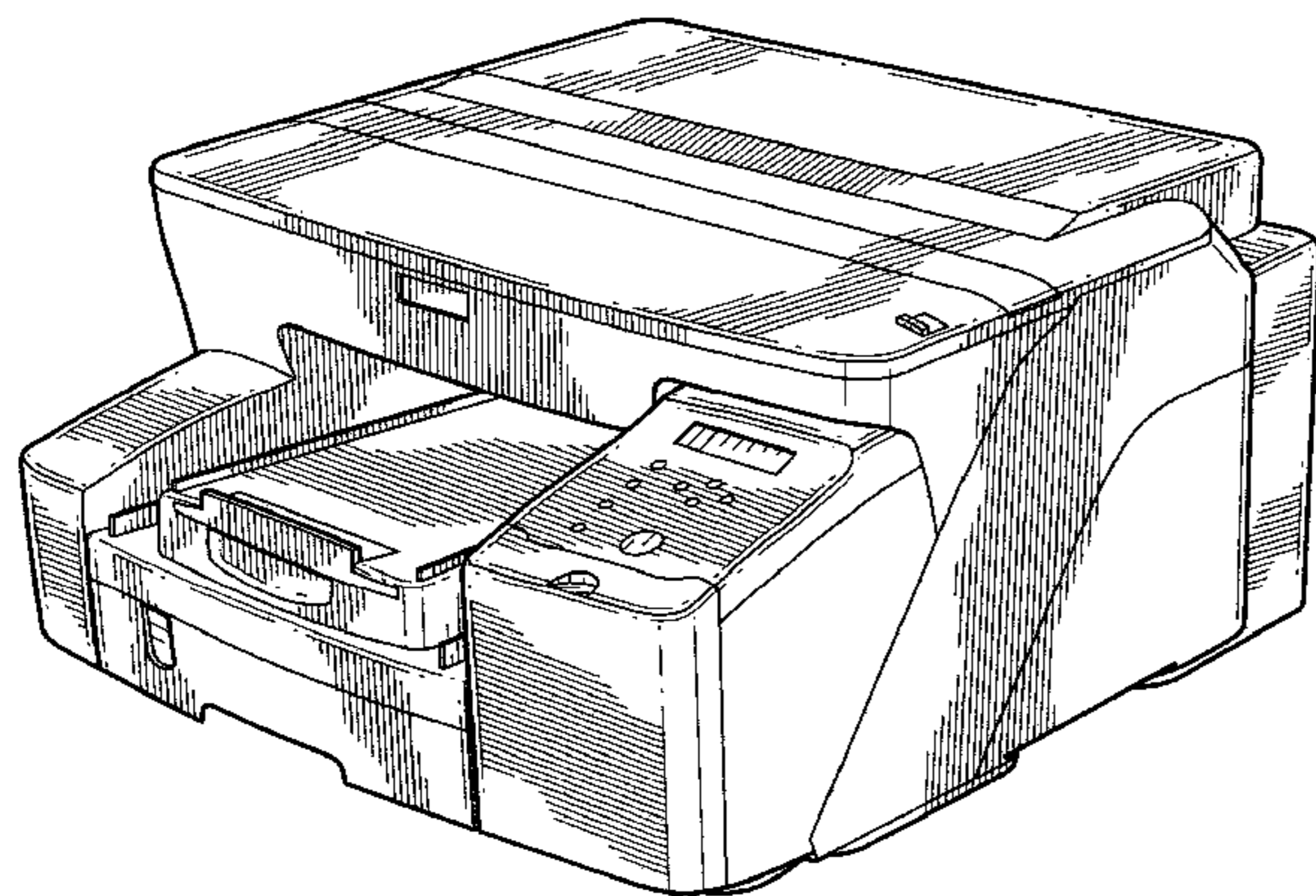
FIG. 5 is a right side elevation thereof;

FIG. 6 is a left side elevation thereof;

FIG. 7 is a front perspective view thereof; and,

FIG. 8 is a rear perspective view thereof.

1 Claim, 6 Drawing Sheets



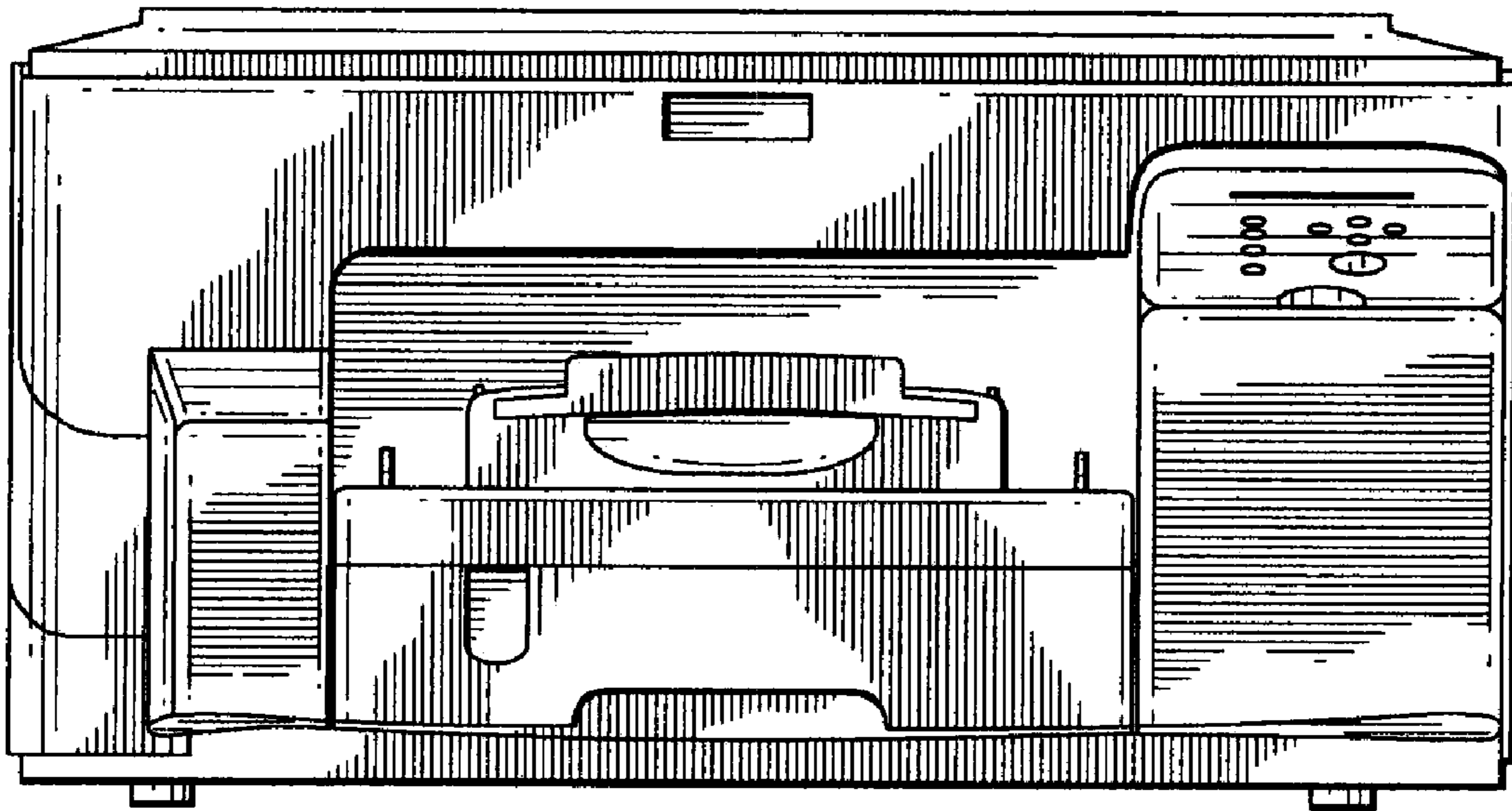


FIG. 1

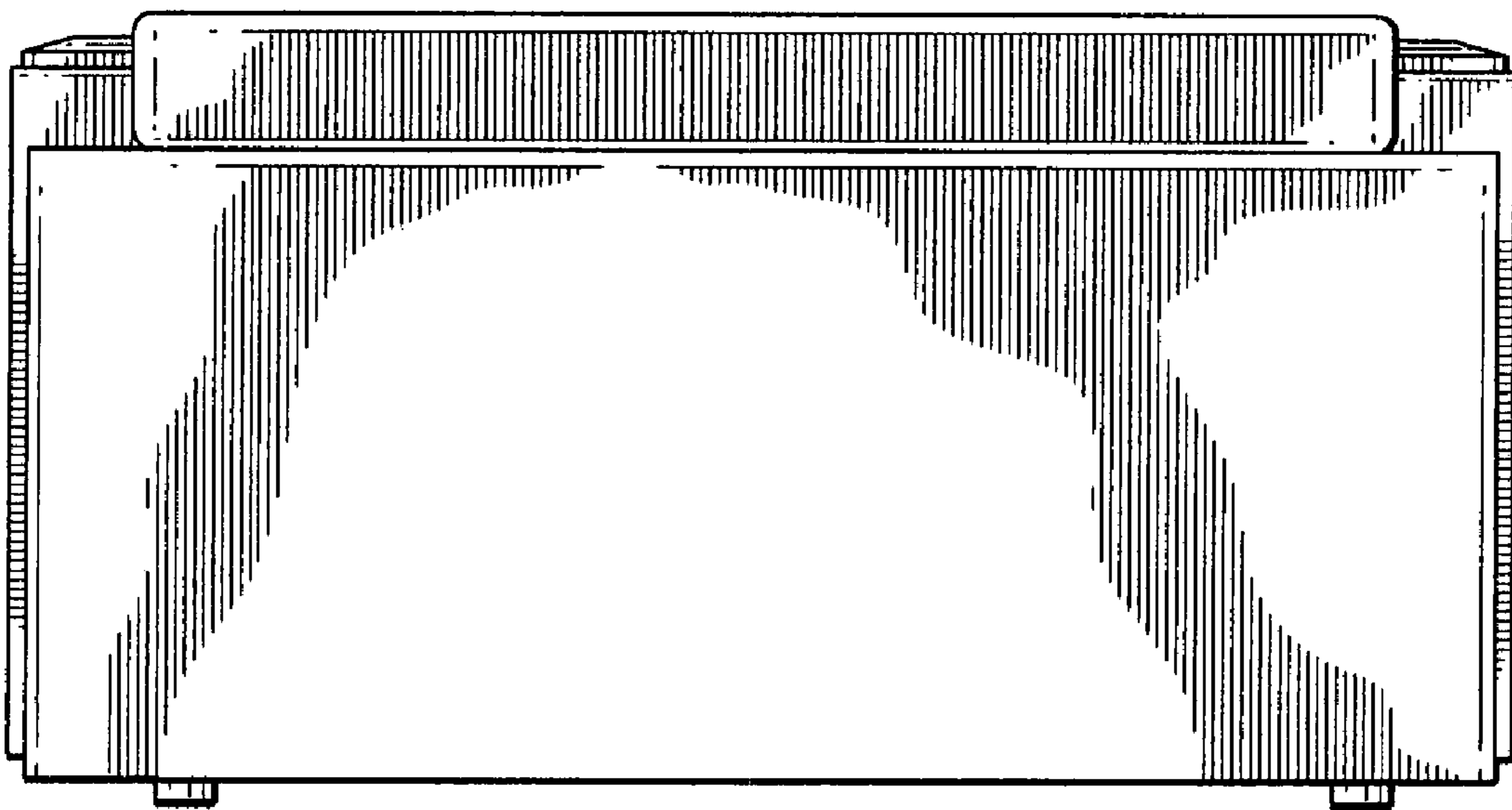


FIG. 2

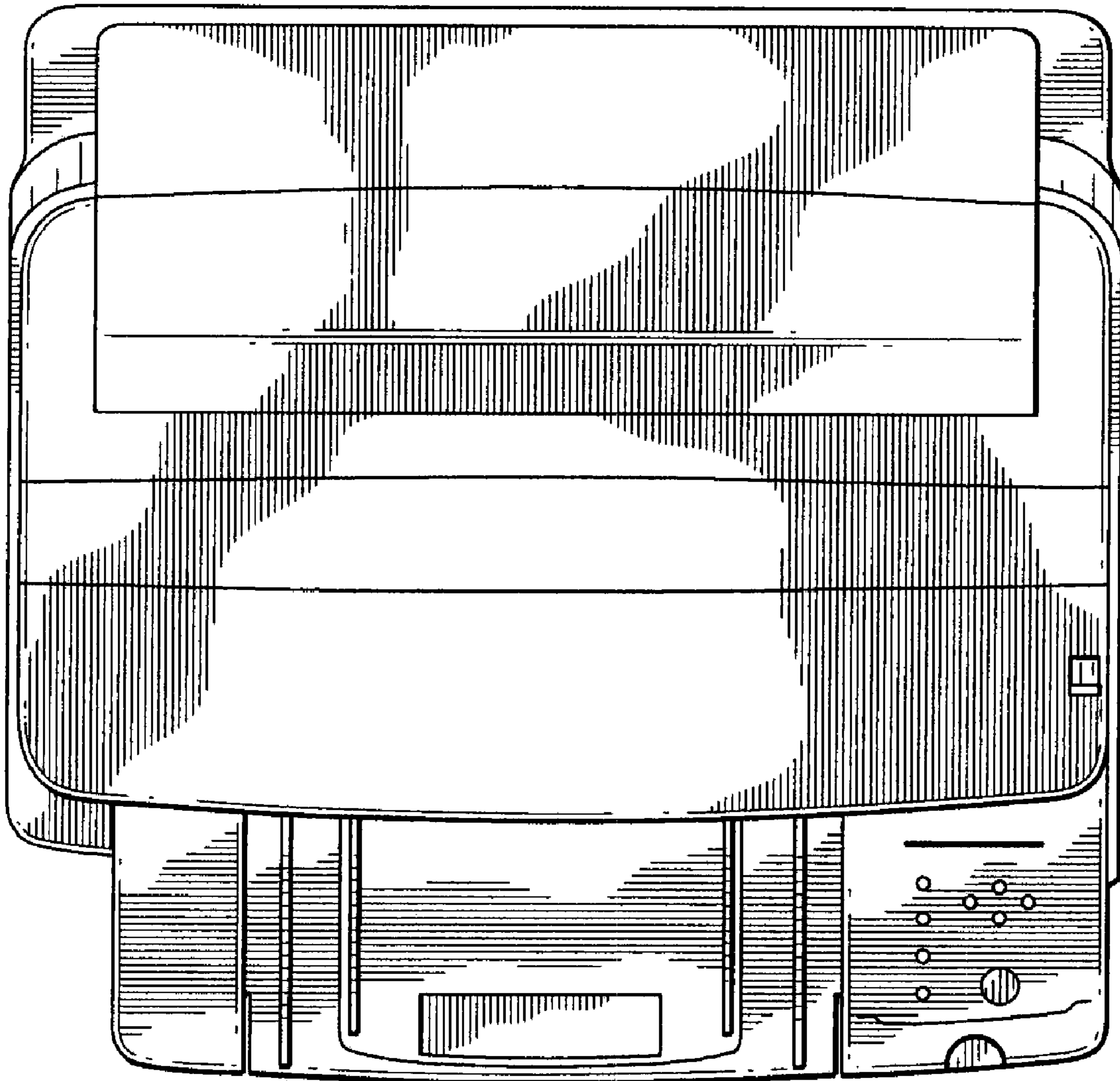


FIG.3

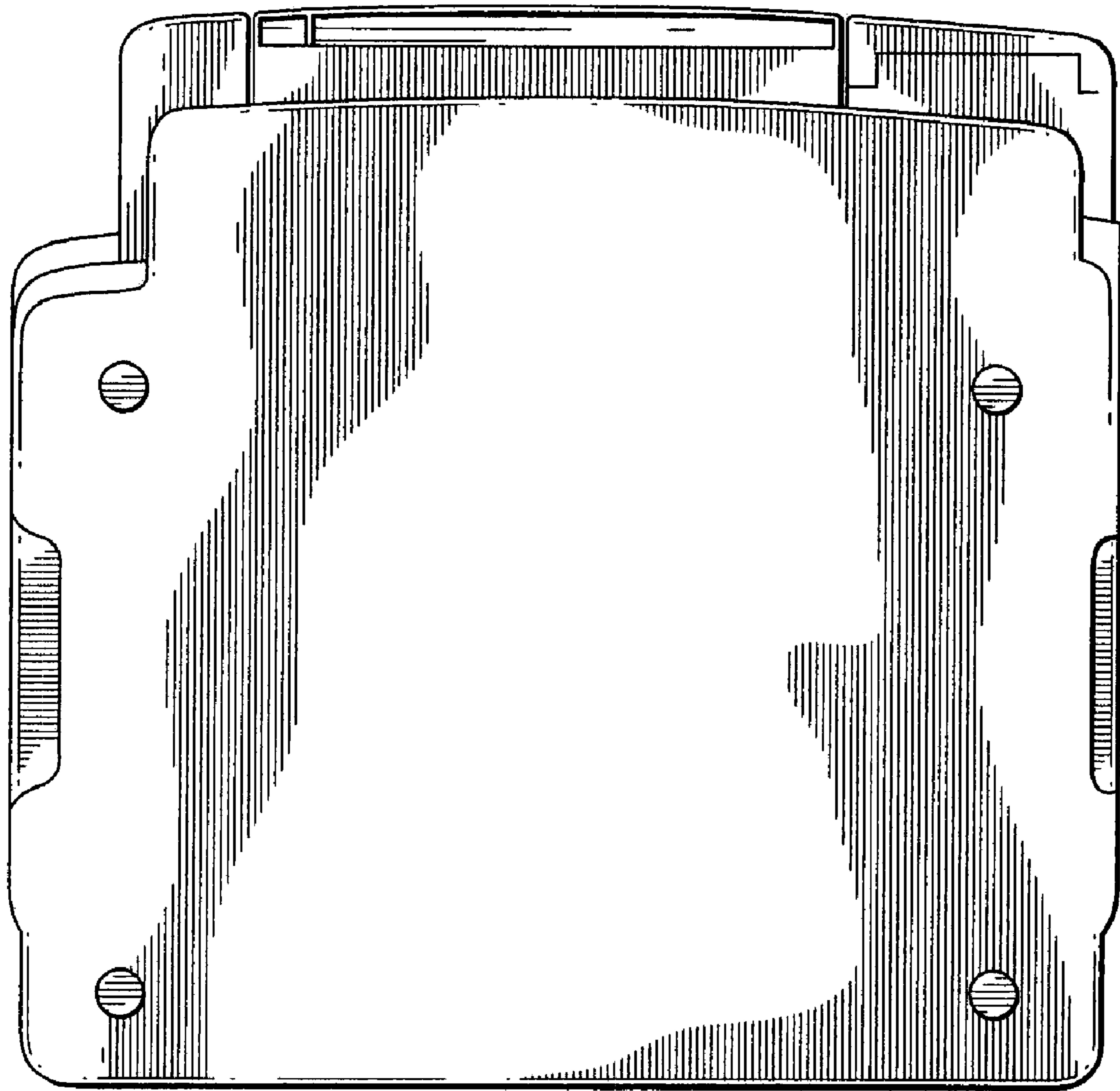


FIG.4

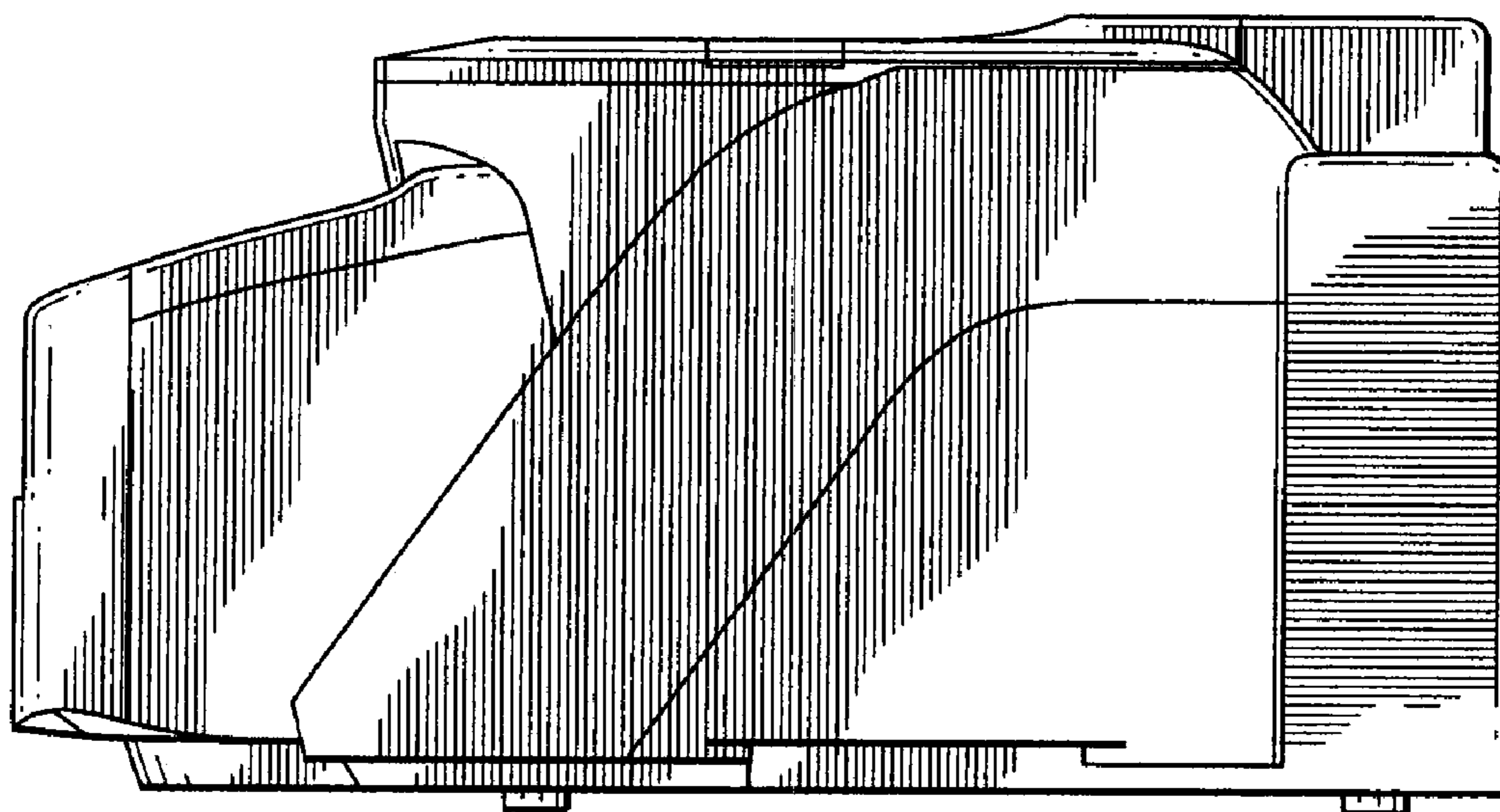


FIG. 5

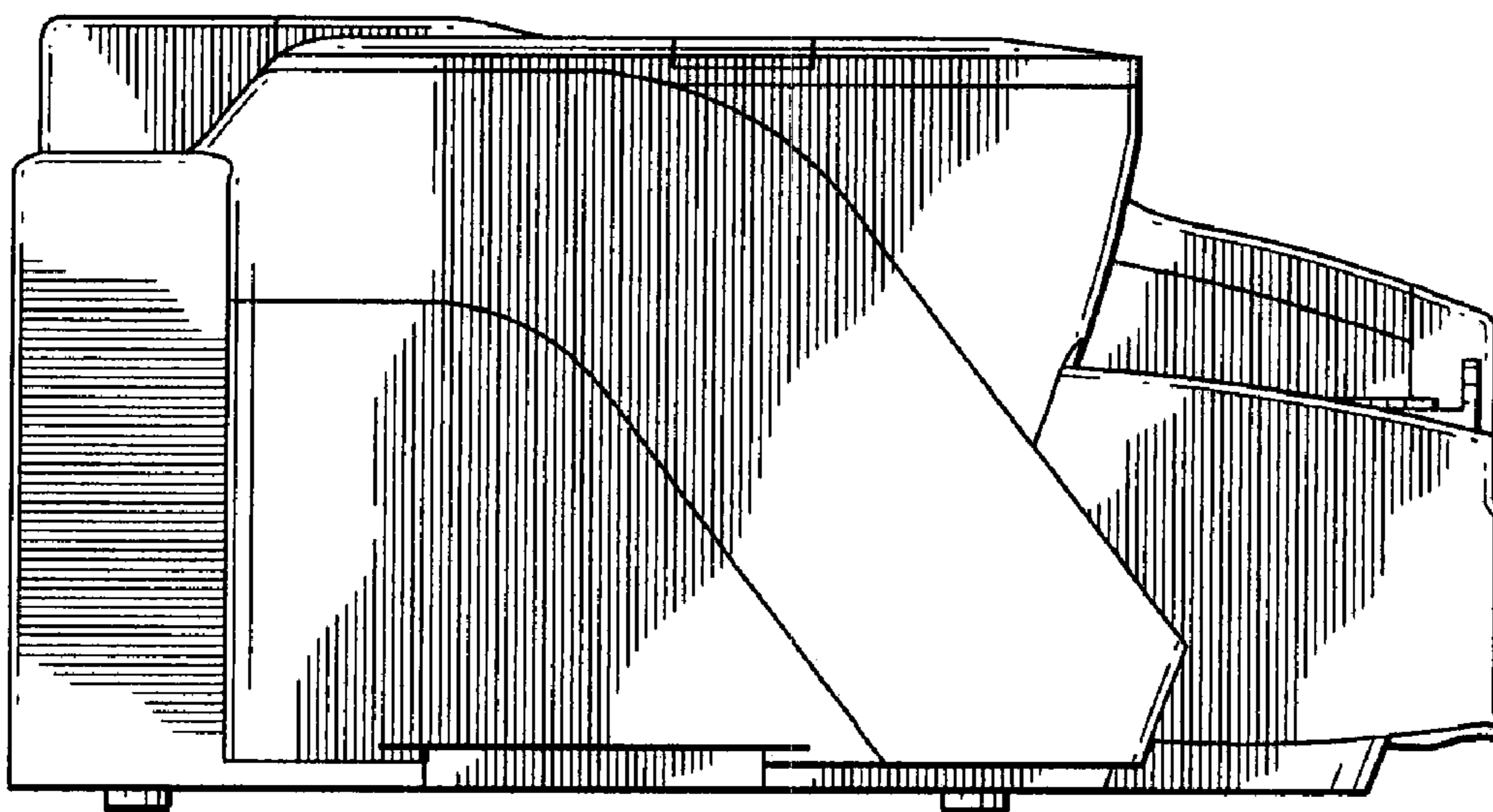


FIG. 6

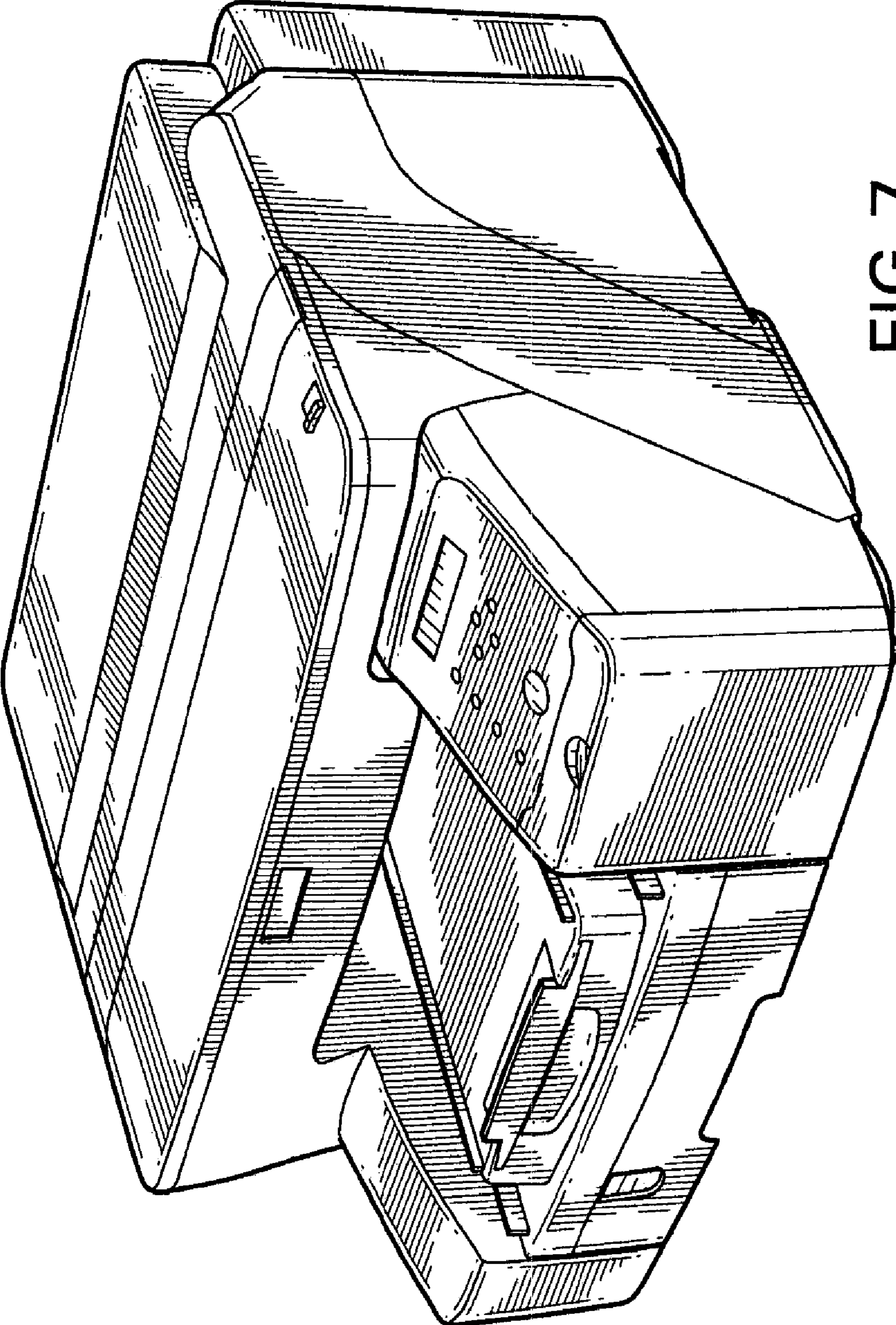


FIG. 7

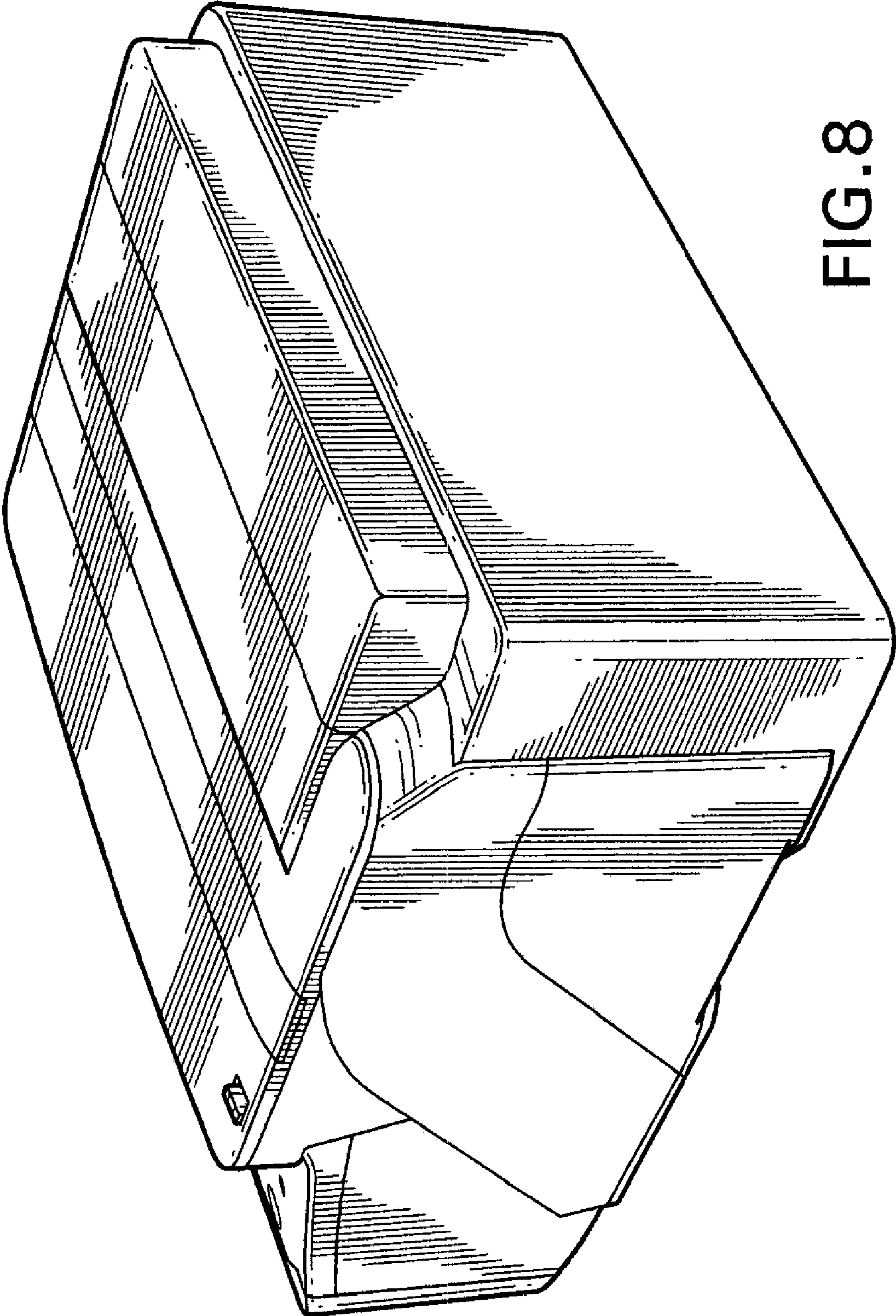


FIG. 8