

US00D566755S

(12) **United States Design Patent**
Gant et al.

(10) **Patent No.:** **US D566,755 S**
(45) **Date of Patent:** **** Apr. 15, 2008**

(54) **PRINTER**

D533,218 S * 12/2006 Gant et al. D18/55
D534,947 S * 1/2007 Gant et al. D18/50

(75) Inventors: **Scott R. Gant**, San Diego, CA (US);
David W. Leong, San Diego, CA (US)

* cited by examiner

(73) Assignee: **Hewlett-Packard Development Company, L.P.**, Houston, TX (US)

Primary Examiner—Robert M. Spear
Assistant Examiner—Anna K. Dworzecka

(**) Term: **14 Years**

(57) **CLAIM**

(21) Appl. No.: **29/229,243**

We claim the ornamental design for a printer, as shown and described.

(22) Filed: **May 5, 2005**

DESCRIPTION

(51) **LOC (8) Cl.** **18-02**

(52) **U.S. Cl.** **D18/50**

(58) **Field of Classification Search** D18/56,
D18/55, 50, 4.3, 12.3, 36-41, 43, 44, 46-49,
D18/14, 18, 21, 51, 54, 54.1, 58, 34.1, 34.9,
D18/35, 35.1, 99; D16/246-248; D14/420-425,
D14/462-470; 399/107

See application file for complete search history.

FIG. 1 is a top perspective view of a printer showing our new design;

FIG. 2 is a front elevational view thereof;

FIG. 3 is a top plan view thereof;

FIG. 4 is a right end elevational view thereof; and,

FIG. 5 is a left end elevational view thereof.

The ornamental design which is claimed is shown in solid lines in the drawings. The broken lines in the drawings are for illustrative purposes only and form no part of the claimed design.

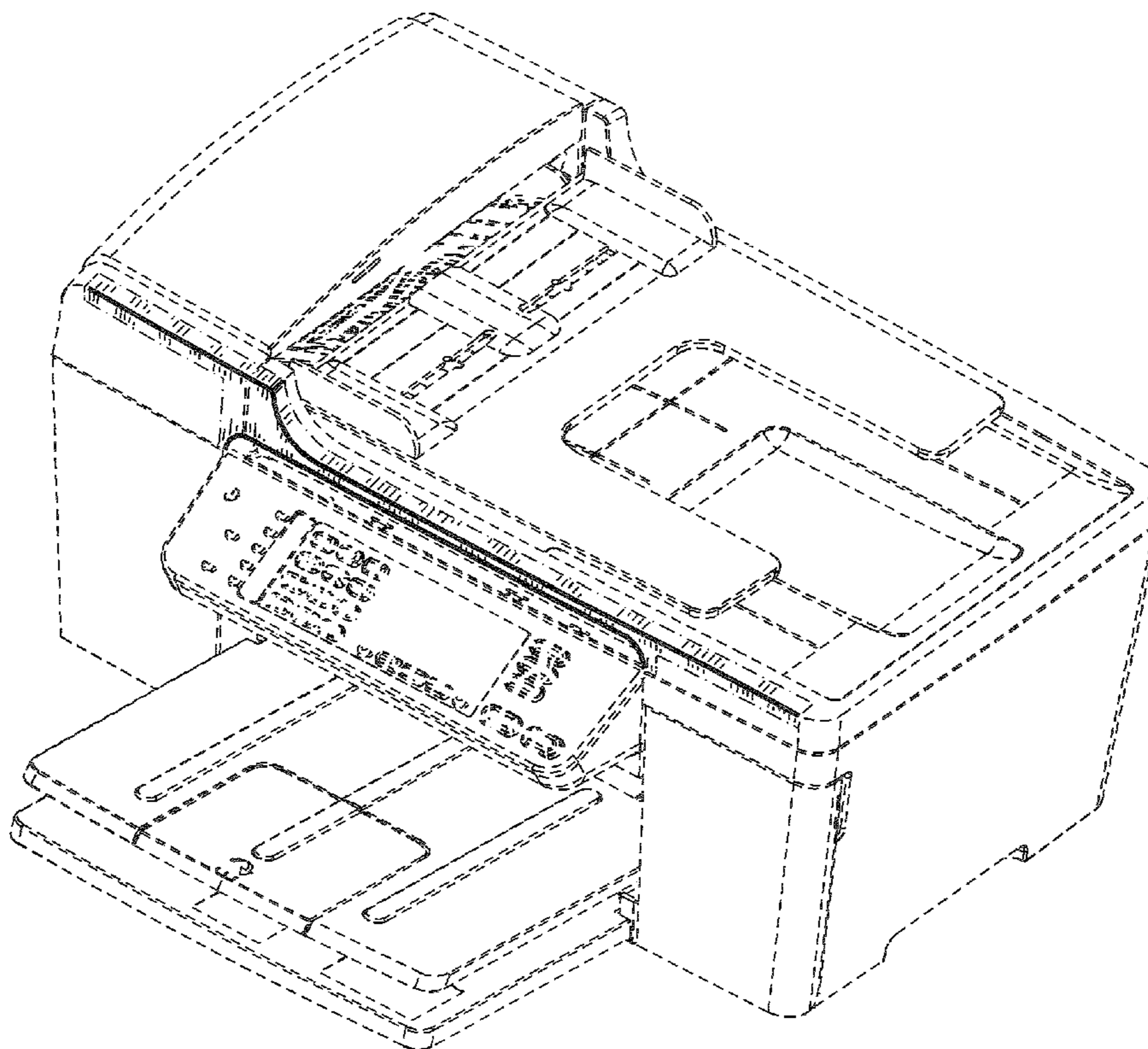
(56) **References Cited**

U.S. PATENT DOCUMENTS

D467,250 S * 12/2002 Takeuchi D14/469
D502,500 S * 3/2005 Hoshiya et al. D18/50
D518,093 S * 3/2006 de Salis et al. D18/55
D522,570 S * 6/2006 Christou et al. D18/50
D531,175 S * 10/2006 Moskaluk et al. D14/300

The dash-dot-dash lines throughout the drawings define the bounds of the claimed design.

1 Claim, 5 Drawing Sheets



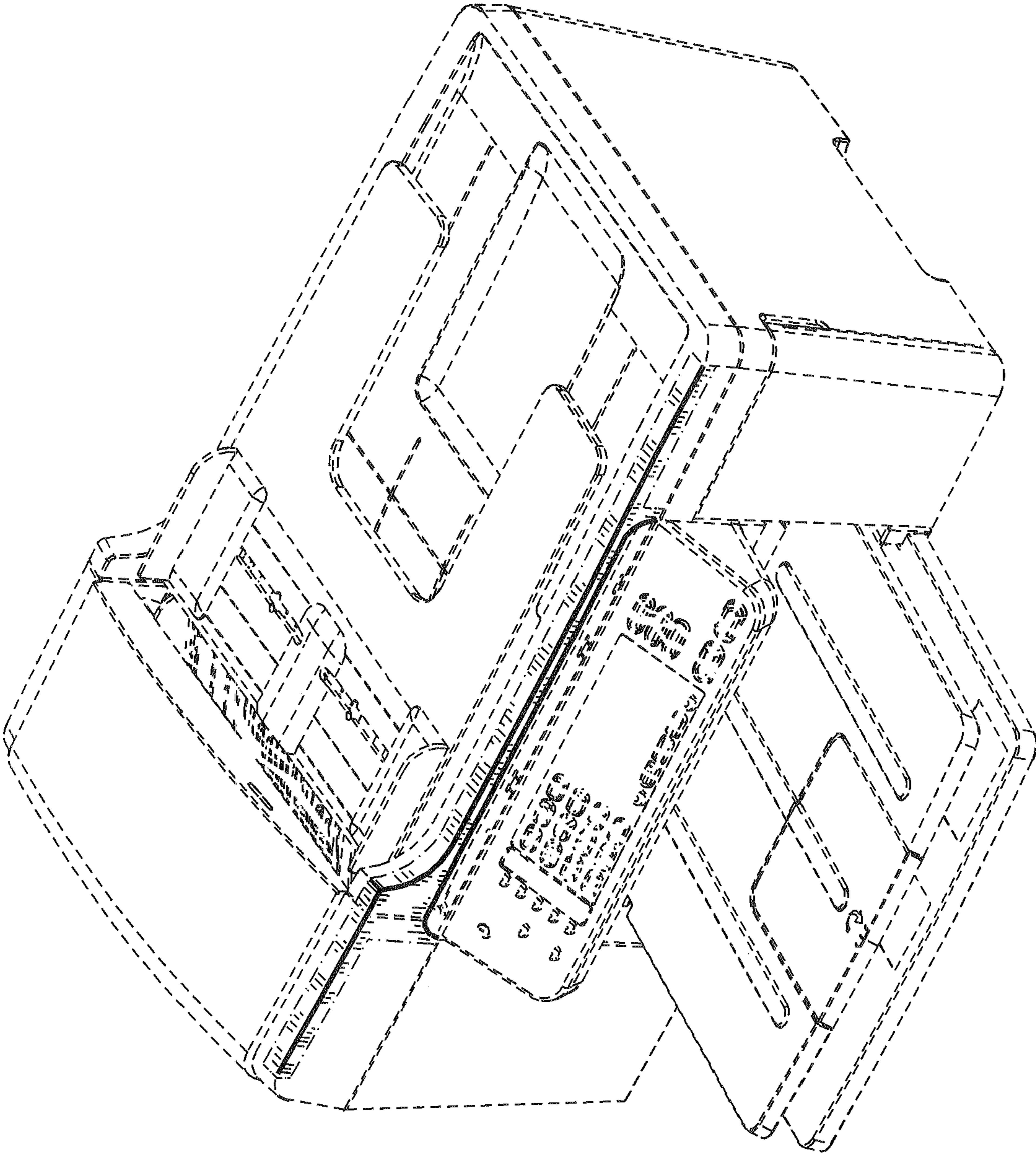
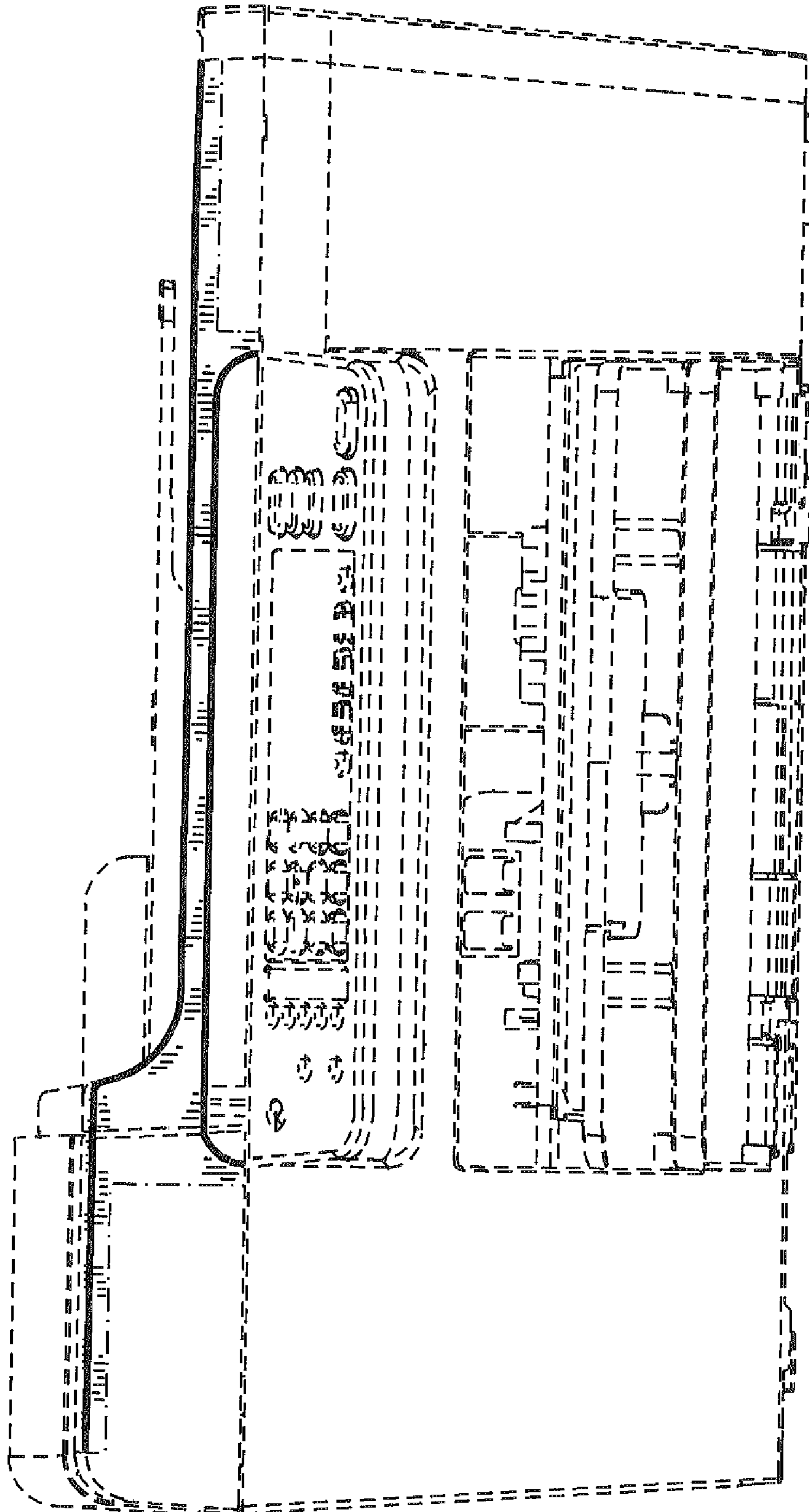


FIG. 1

FIG. 2



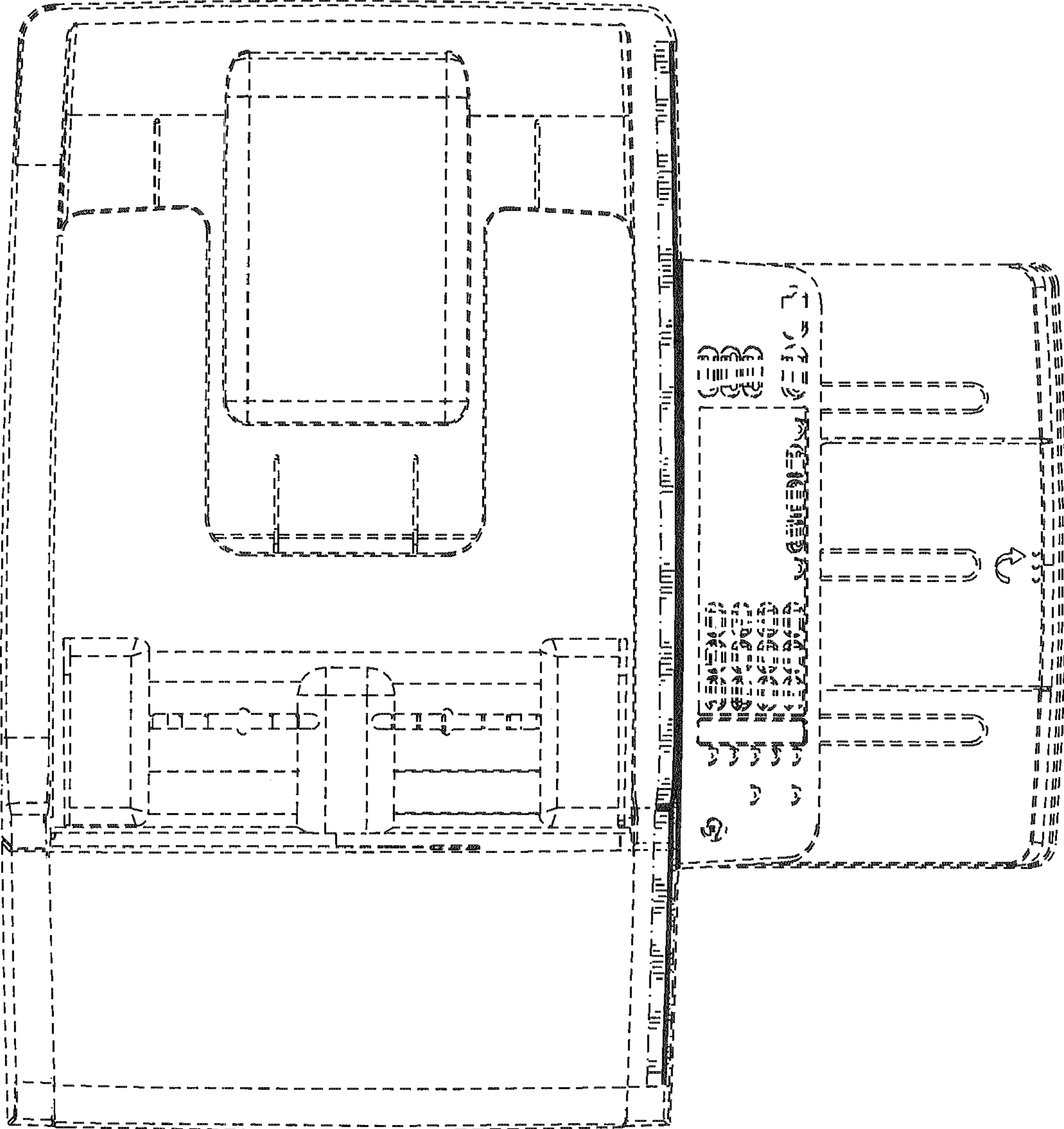


FIG. 3

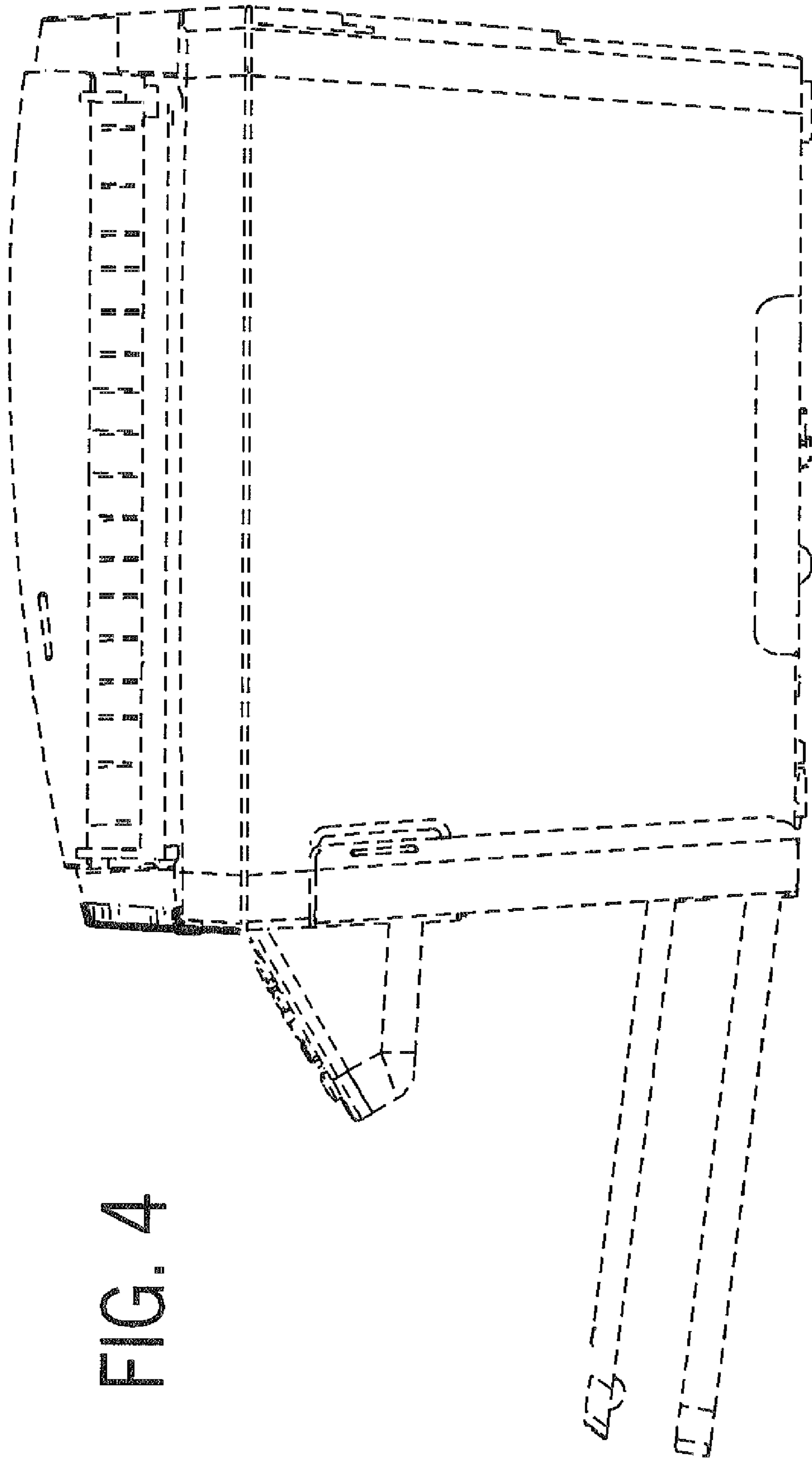


FIG. 4

FIG. 5

