



US00D566754S

(12) **United States Design Patent**  
**Hayashi**

(10) **Patent No.:** **US D566,754 S**

(45) **Date of Patent:** **\*\* Apr. 15, 2008**

(54) **TONER CARTRIDGE**

(75) Inventor: **Hideaki Hayashi**, Toyokawa (JP)

(73) Assignee: **Konica Minolta Business Technologies, Inc.**, Chiyoda-Ku, Tokyo (JP)

(\*\*) Term: **14 Years**

(21) Appl. No.: **29/245,993**

(22) Filed: **Jan. 4, 2006**

(30) **Foreign Application Priority Data**

Jul. 6, 2005 (JP) ..... 2005-019728

(51) **LOC (8) Cl.** ..... **16-03**

(52) **U.S. Cl.** ..... **D18/43**

(58) **Field of Classification Search** ..... D14/462,  
D14/469-471; D18/12, 46, 40, 43, 44, 56;  
222/DIG. 1; 347/197, 222; 399/24-28,  
399/107-112, 119, 121, 122, 222-224; 400/207,  
400/208

See application file for complete search history.

(56) **References Cited**

**U.S. PATENT DOCUMENTS**

D367,880 S *	3/1996	Miyamoto	.....	D18/43
D414,199 S *	9/1999	Miyazawa	.....	D18/43
D451,125 S *	11/2001	Sugiyama et al.	.....	D18/40
D464,079 S *	10/2002	Funayama et al.	.....	D18/43
D489,400 S *	5/2004	Nagashiro	.....	D18/43
6,993,267 B2 *	1/2006	Yoshiyuki et al.	.....	399/111
2004/0223782 A1 *	11/2004	Hosokawa et al.	.....	399/111
2007/0025759 A1 *	2/2007	William et al.	.....	399/109

\* cited by examiner

*Primary Examiner*—Robert M. Spear  
*Assistant Examiner*—Garth Rademaker

(74) *Attorney, Agent, or Firm*—Buchanan Ingersoll & Rooney PC

(57) **CLAIM**

The ornamental design for a toner cartridge, as shown and described.

**DESCRIPTION**

FIG. 1 is a top, front and right side perspective view of a toner cartridge showing my new design;

FIG. 2 is a top, front and right side perspective view thereof, shown in an alternate position of use;

FIG. 3 is a front elevational view thereof, shown in the same position as FIG. 1;

FIG. 4 is a rear elevational view thereof;

FIG. 5 is a right side view thereof;

FIG. 6 a left side view thereof;

FIG. 7 is a top plan view thereof;

FIG. 8 is a bottom plan view thereof;

FIG. 9 is a partial perspective view of the left end thereof, shown at an enlarged scale;

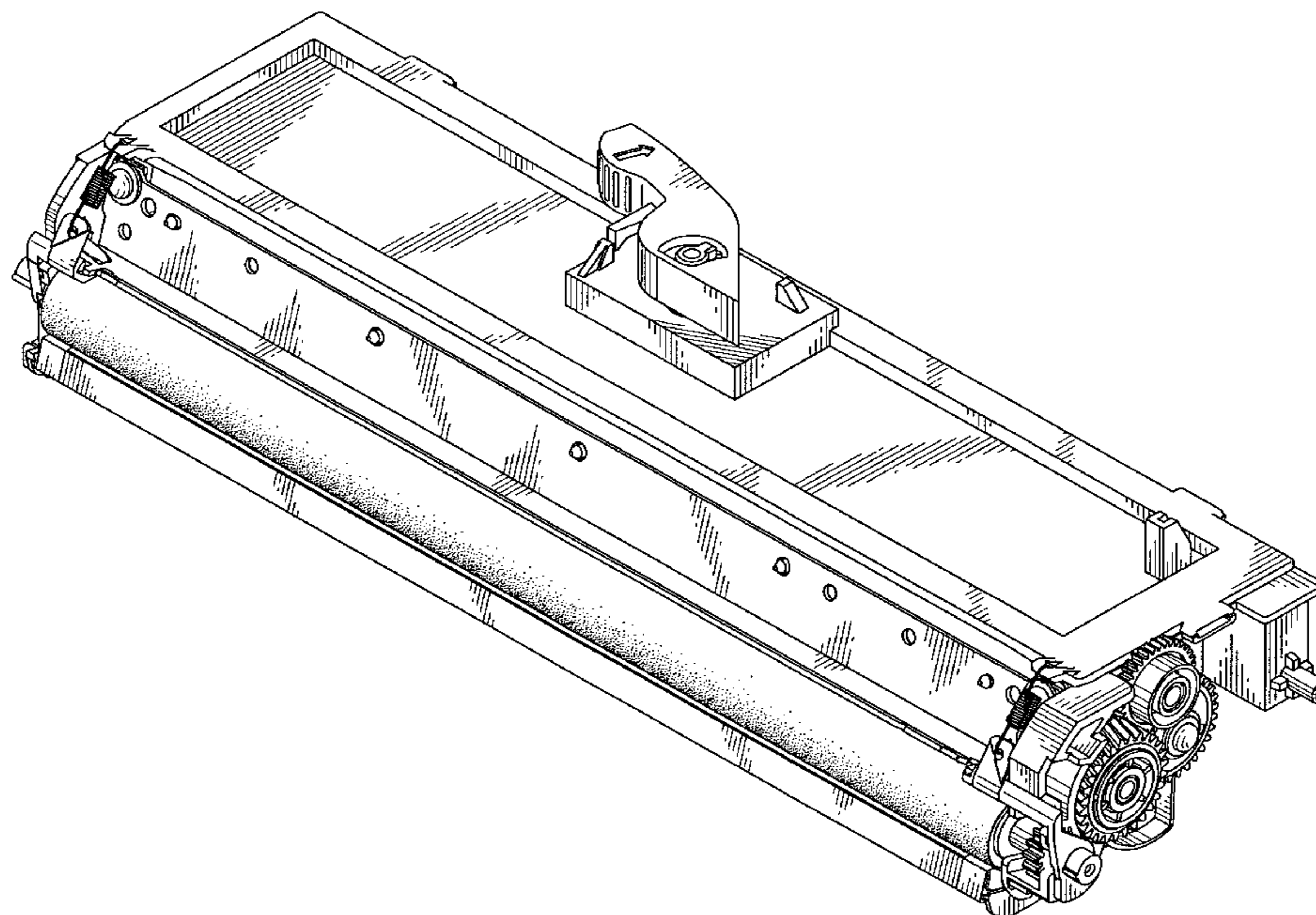
FIG. 10 is a partial perspective view of the right end thereof;

FIG. 11 is a partial front elevational view of the left end thereof; and,

FIG. 12 is a partial front elevational view of the right end thereof.

The broken lines depict environmental subject matter only and form no part of the claimed design.

**1 Claim, 11 Drawing Sheets**



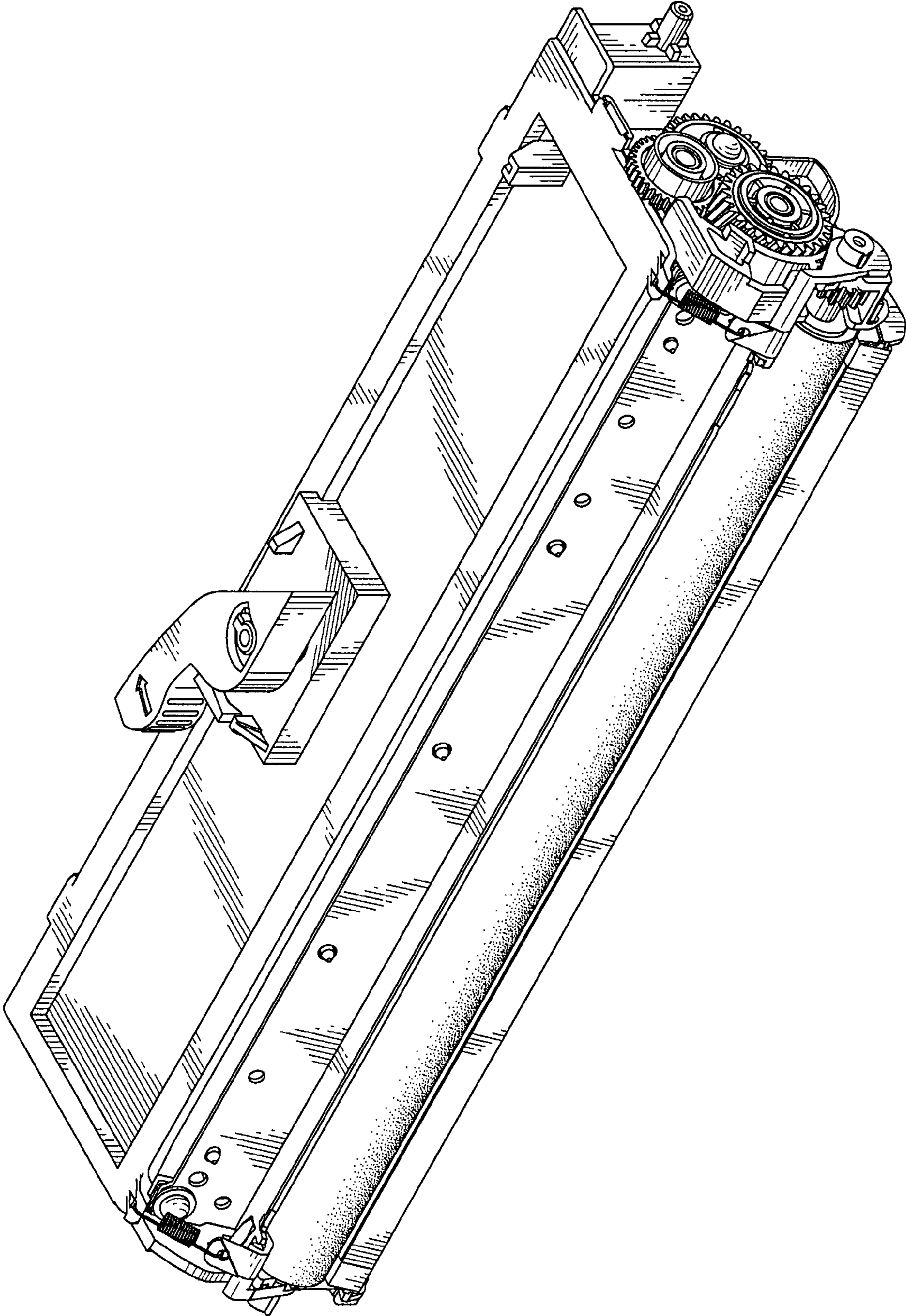


Fig. 1

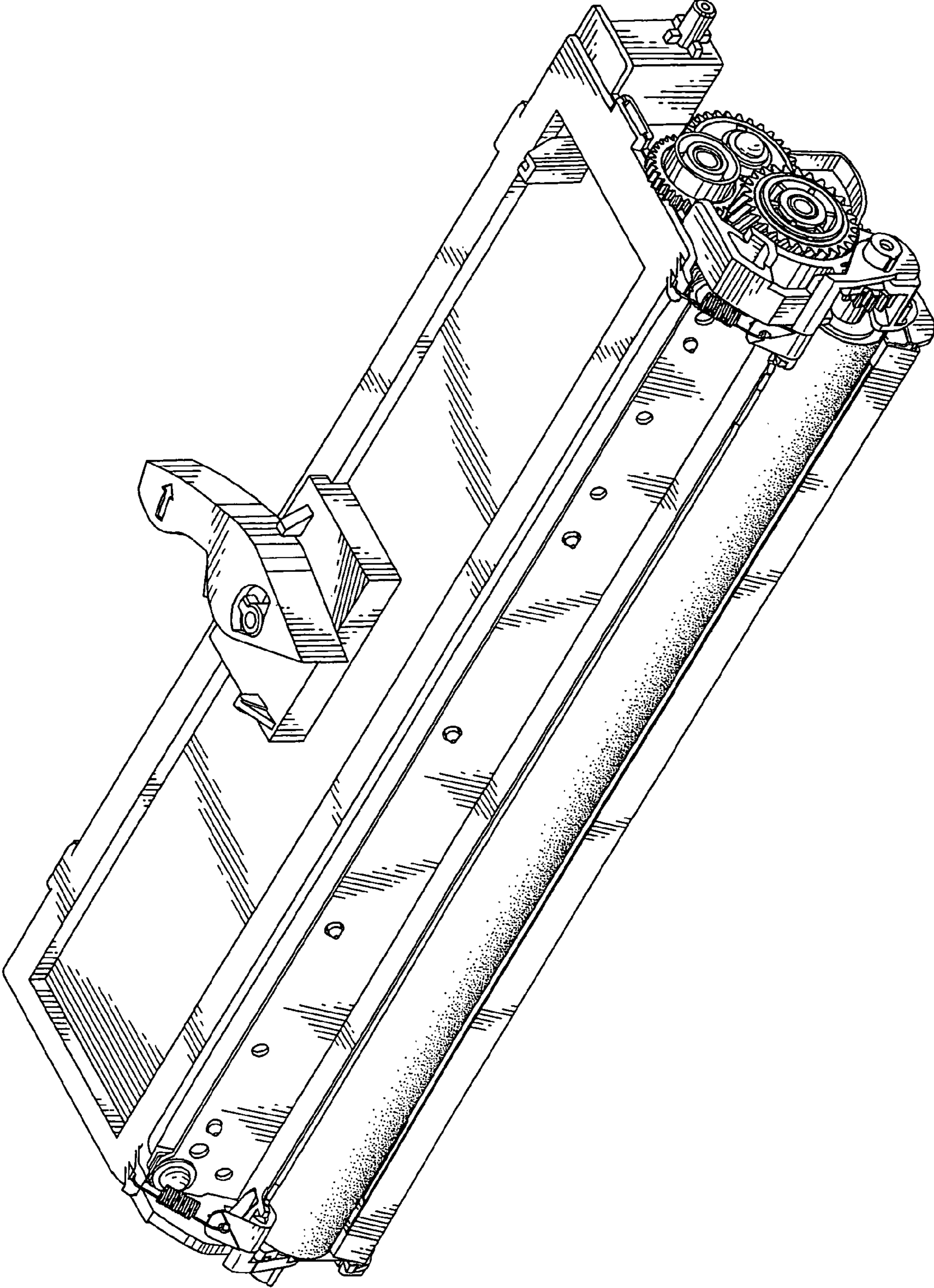


Fig. 2

Fig. 3

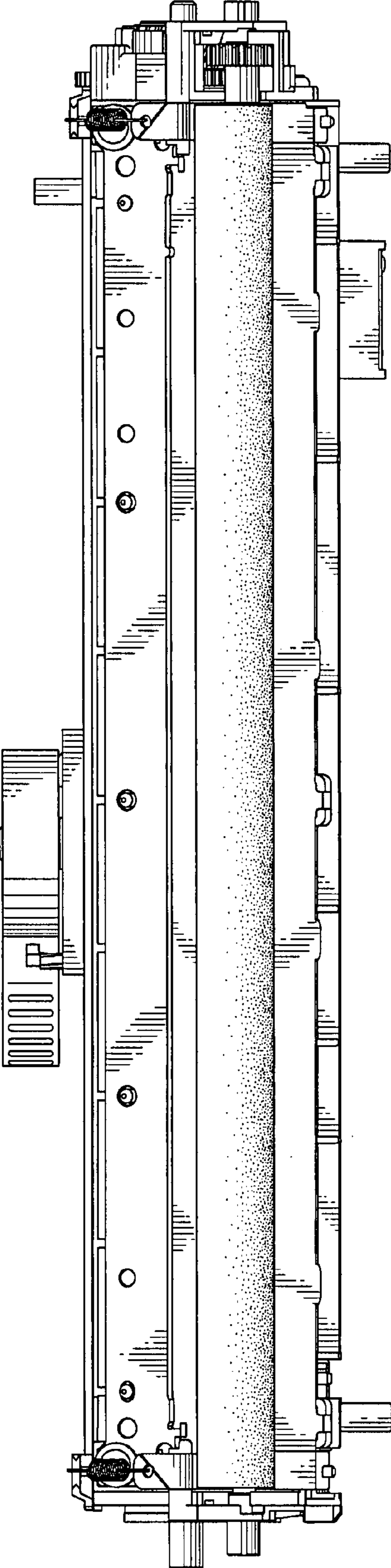


Fig. 4

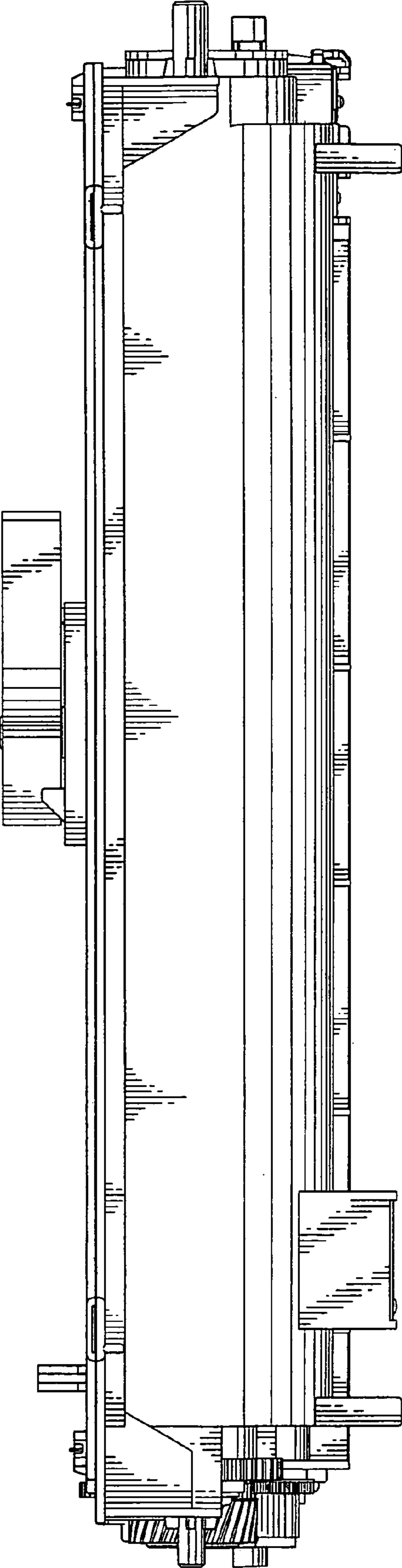


Fig. 6

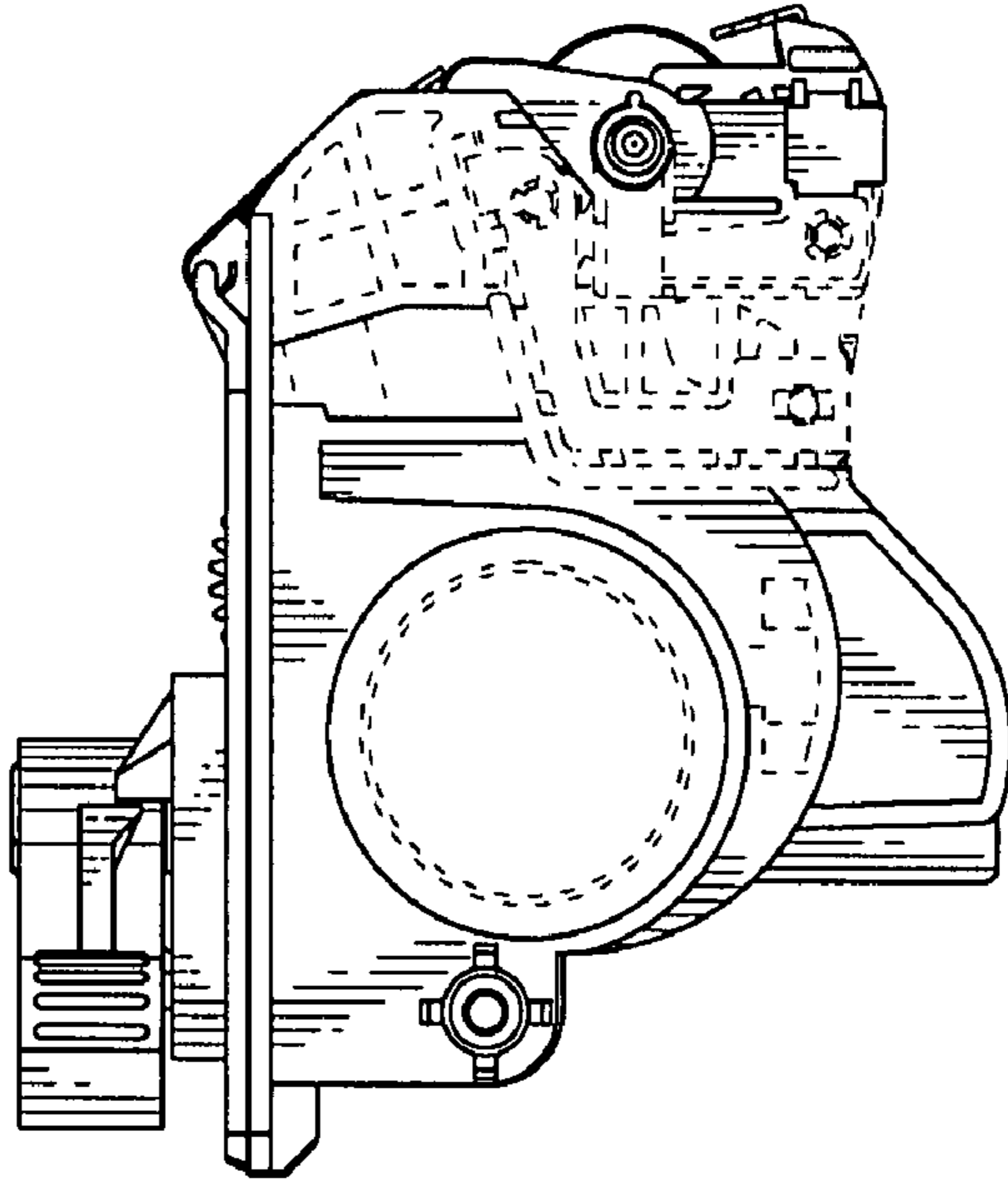


Fig. 5

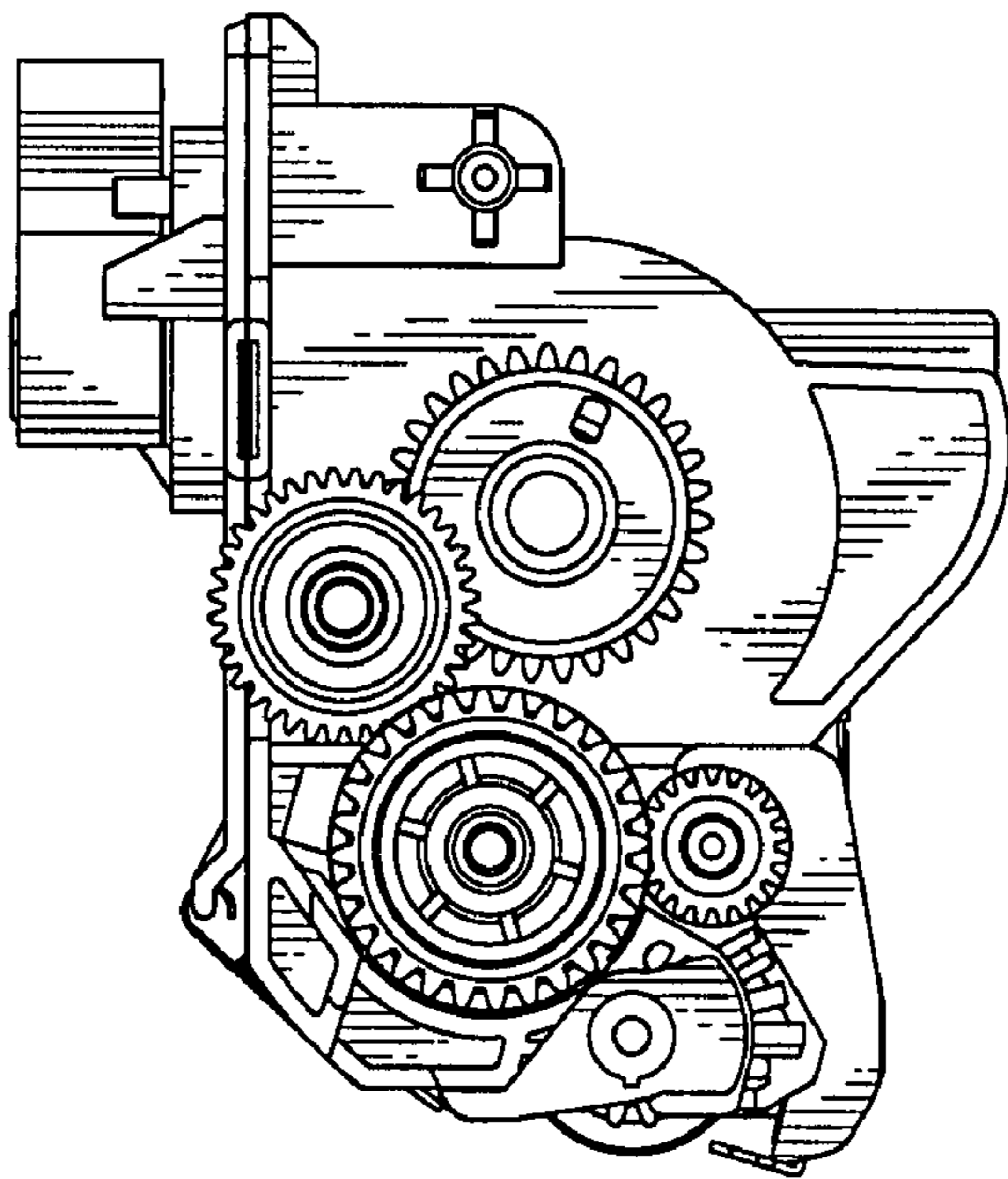


Fig. 7

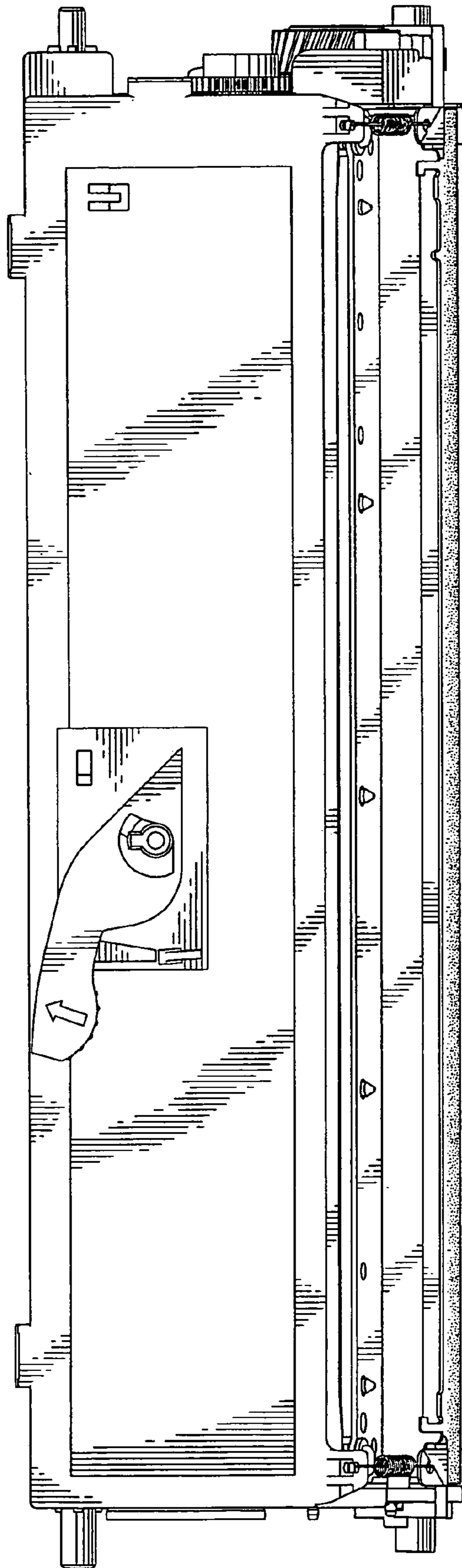


Fig. 8

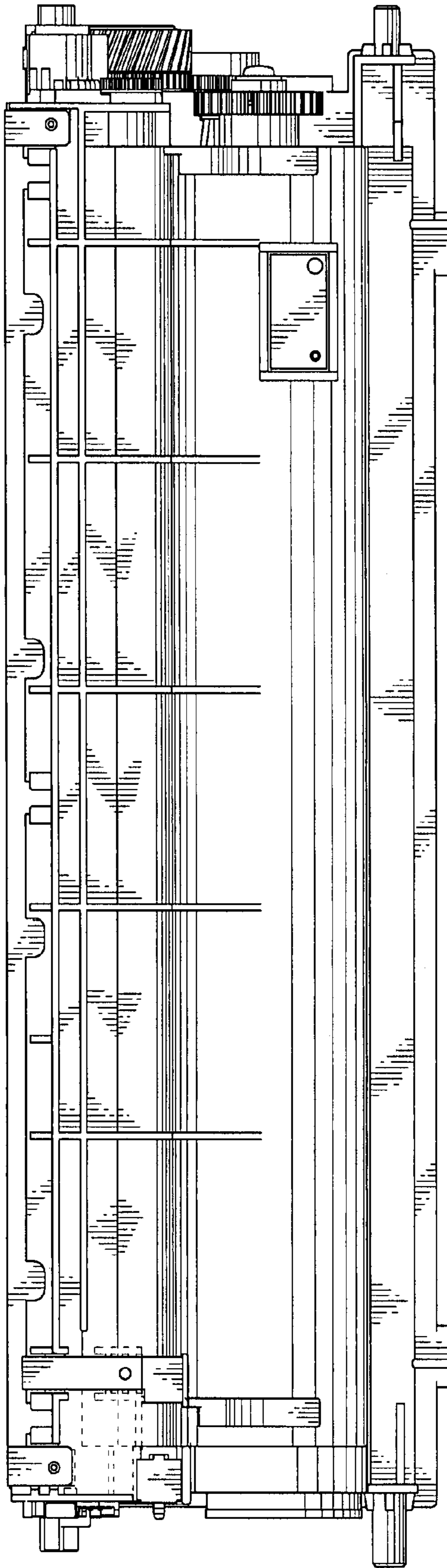




Fig. 9

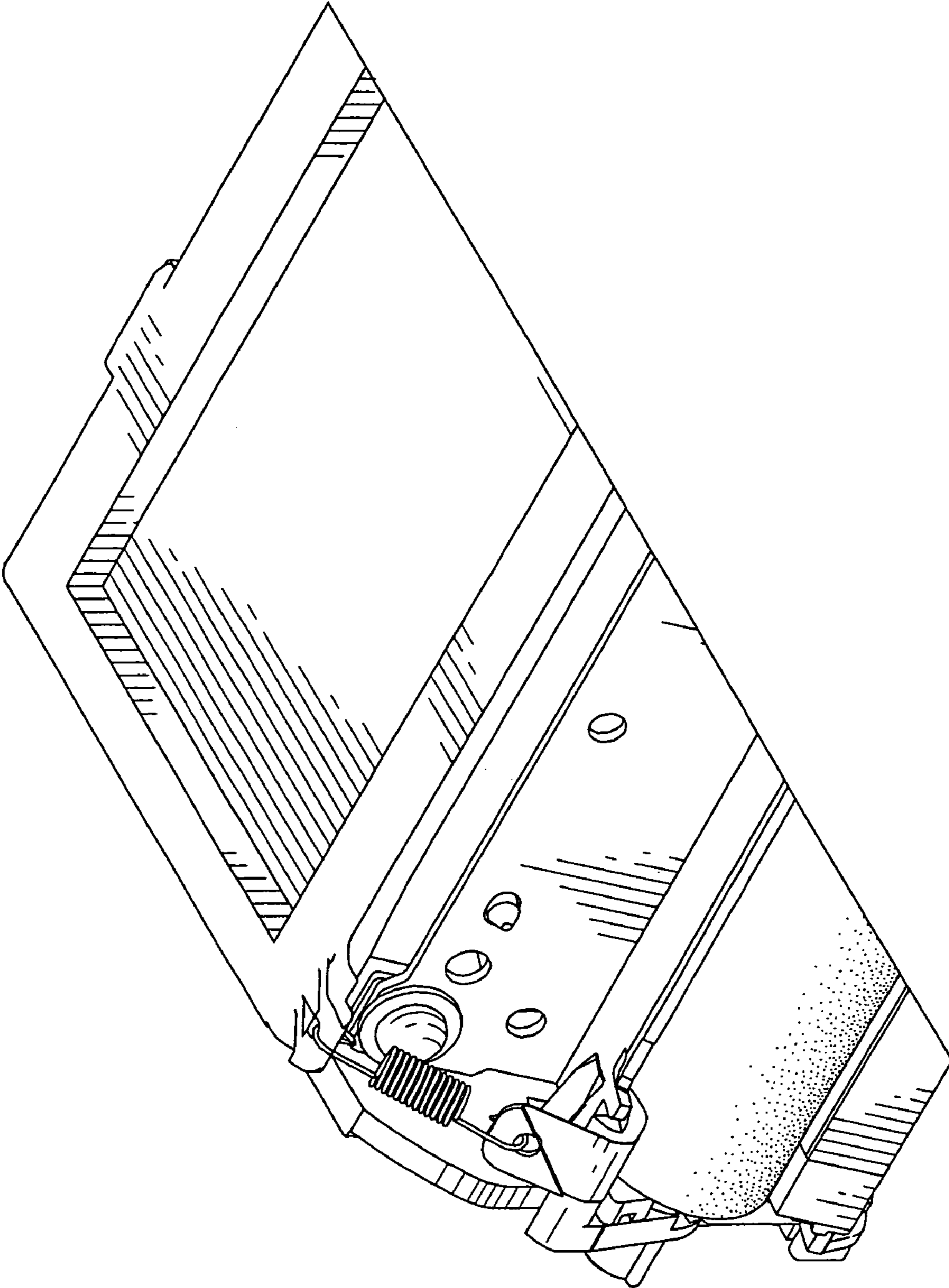


Fig. 10

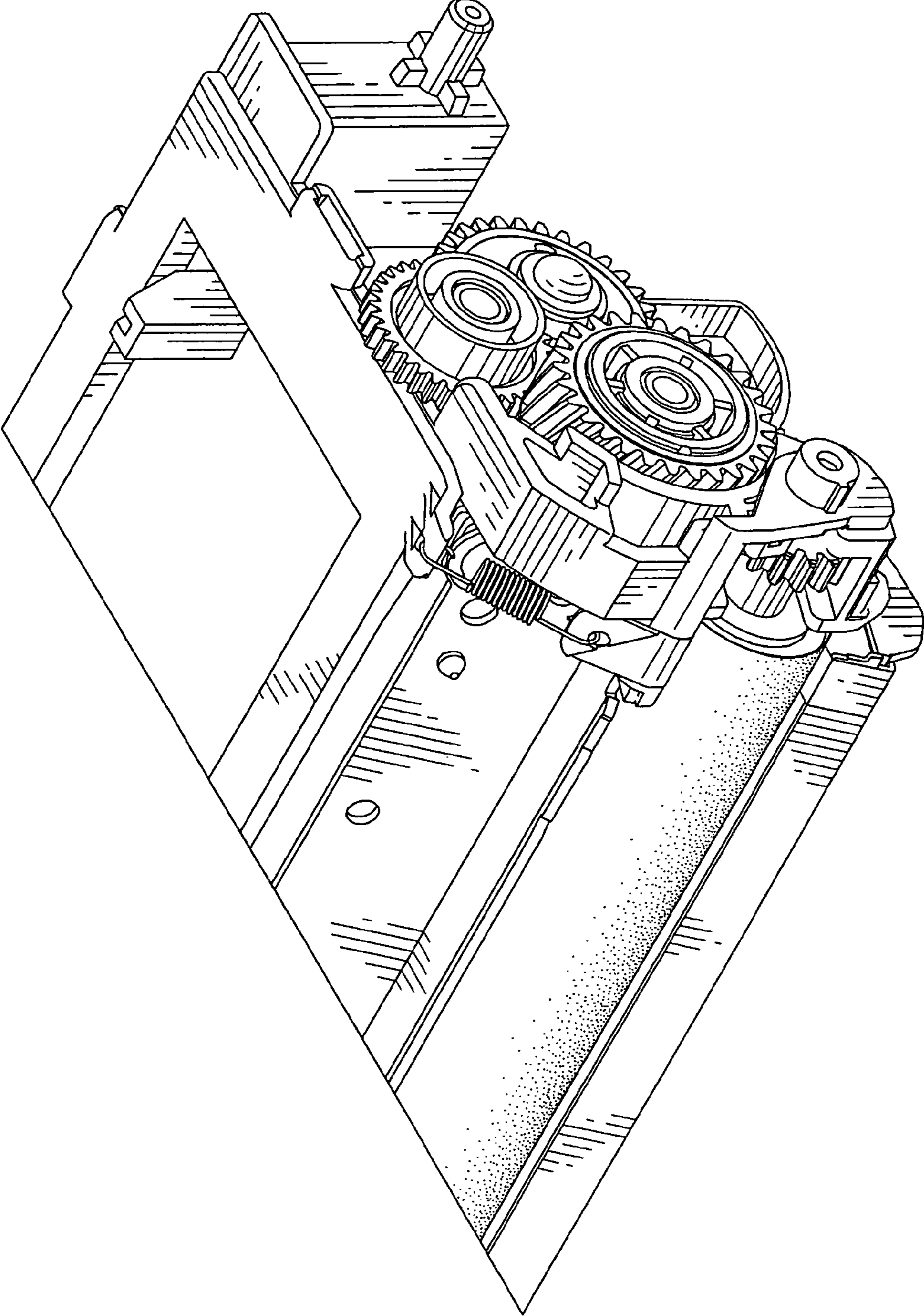


Fig. 11

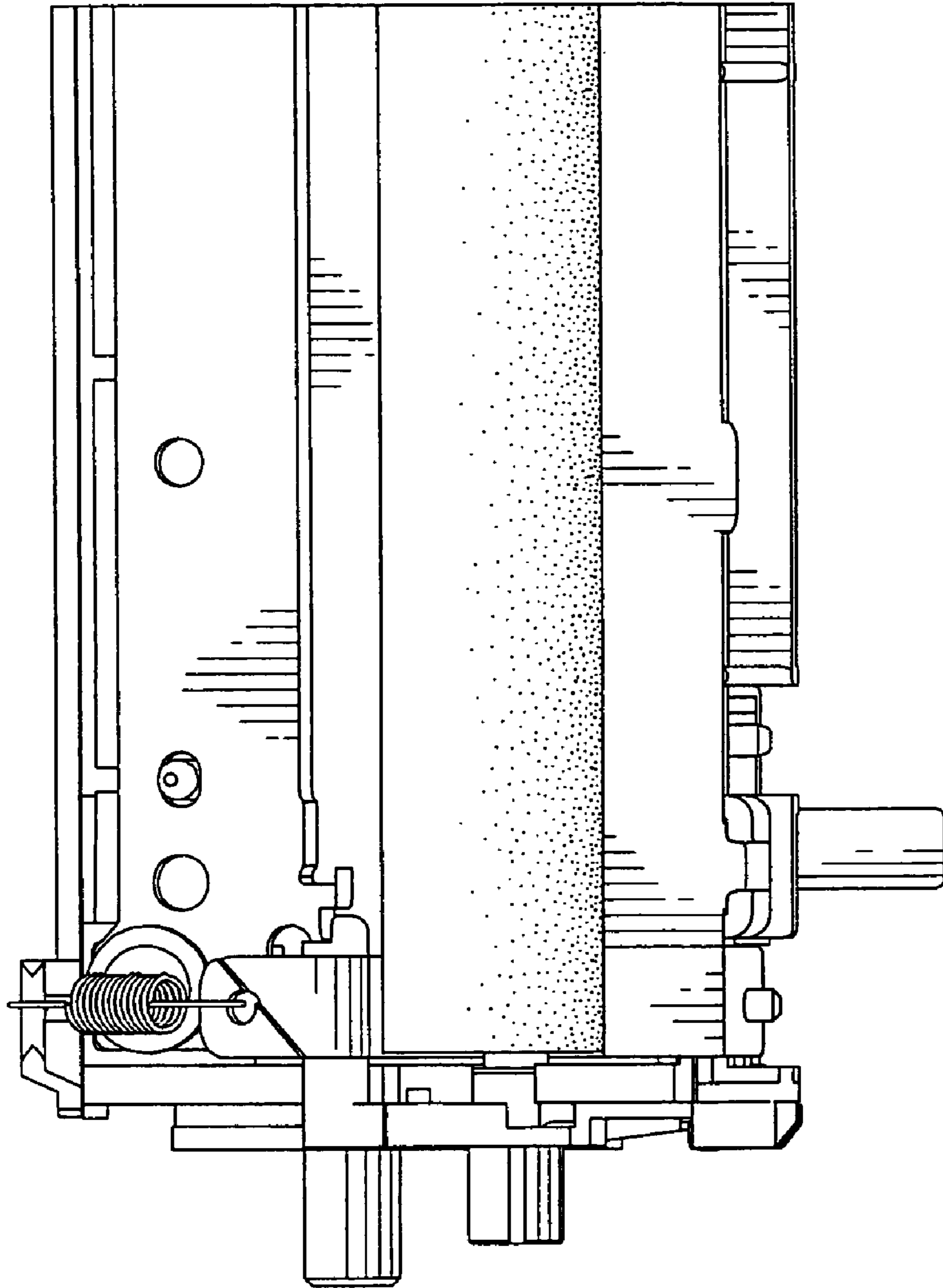


Fig. 12

